



US00D785360S

(12) **United States Design Patent** (10) **Patent No.:** **US D785,360 S**
Rawls-Meehan (45) **Date of Patent:** **** May 2, 2017**

- (54) **DECK-ON-DECK ADJUSTABLE BED** 2,644,961 A 7/1953 Hillenbrand et al.
- 3,061,843 A * 11/1962 Singer A47C 20/043
5/618
- (71) Applicant: **ASCION, LLC**, Bloomfield Hills, MI (US) 3,113,567 A 12/1963 Russell
- 3,145,020 A 8/1964 Calla
- (72) Inventor: **Martin B. Rawls-Meehan**, Franklin, MI (US) 3,644,946 A * 2/1972 Swatt A47C 20/041
5/616
- 3,667,075 A * 6/1972 Ballard A47C 20/048
137/625.65
- (73) Assignee: **ASCION, LLC**, Bloomfield Hills, MI (US) 3,854,153 A 12/1974 Fadler et al.
- 3,885,259 A 5/1975 Cheong
- 3,921,230 A 11/1975 Hanning et al.
- (**) Term: **15 Years** 4,095,296 A 6/1978 Ferro
- 4,194,255 A 3/1980 Poppe
- (21) Appl. No.: **29/531,712** D255,402 S * 6/1980 Lundgren D6/361
- 4,243,263 A 1/1981 Thiboutot
- (22) Filed: **Jun. 29, 2015** 4,395,786 A * 8/1983 Casey A61G 7/015
5/616
- D271,729 S * 12/1983 Dodrill D6/392
- 4,447,921 A 5/1984 Greenblatt
- 4,458,371 A 7/1984 Whitehead

Related U.S. Application Data

- (63) Continuation of application No. 29/446,425, filed on Feb. 22, 2013, now Pat. No. Des. 720,553, which is a continuation of application No. 13/750,934, filed on Jan. 25, 2013, now Pat. No. 9,173,793.
- (51) **LOC (10) Cl.** **06-02**
- (52) **U.S. Cl.**
USPC **D6/392; D6/718**
- (58) **Field of Classification Search**
USPC D6/382-384, 392, 718
CPC A47C 19/02; A47C 19/005; A47C 19/025;
A47C 17/04; A47C 17/16; A47C 17/161;
A47C 20/04; A47C 20/041; A61G 7/012;
A61G 7/015; A61G 7/0573
See application file for complete search history.

References Cited

U.S. PATENT DOCUMENTS

- 399,254 A 3/1889 Foster
- 1,259,650 A 3/1918 McIntyre
- 1,371,098 A 3/1921 Jones
- 2,147,538 A 2/1939 Maguire

FOREIGN PATENT DOCUMENTS

- GB 920643 A 3/1963
- JP 3068744 B2 7/2000

(Continued)

Primary Examiner — Cathron Brooks

(74) *Attorney, Agent, or Firm* — Dinsmore & Shohl LLP

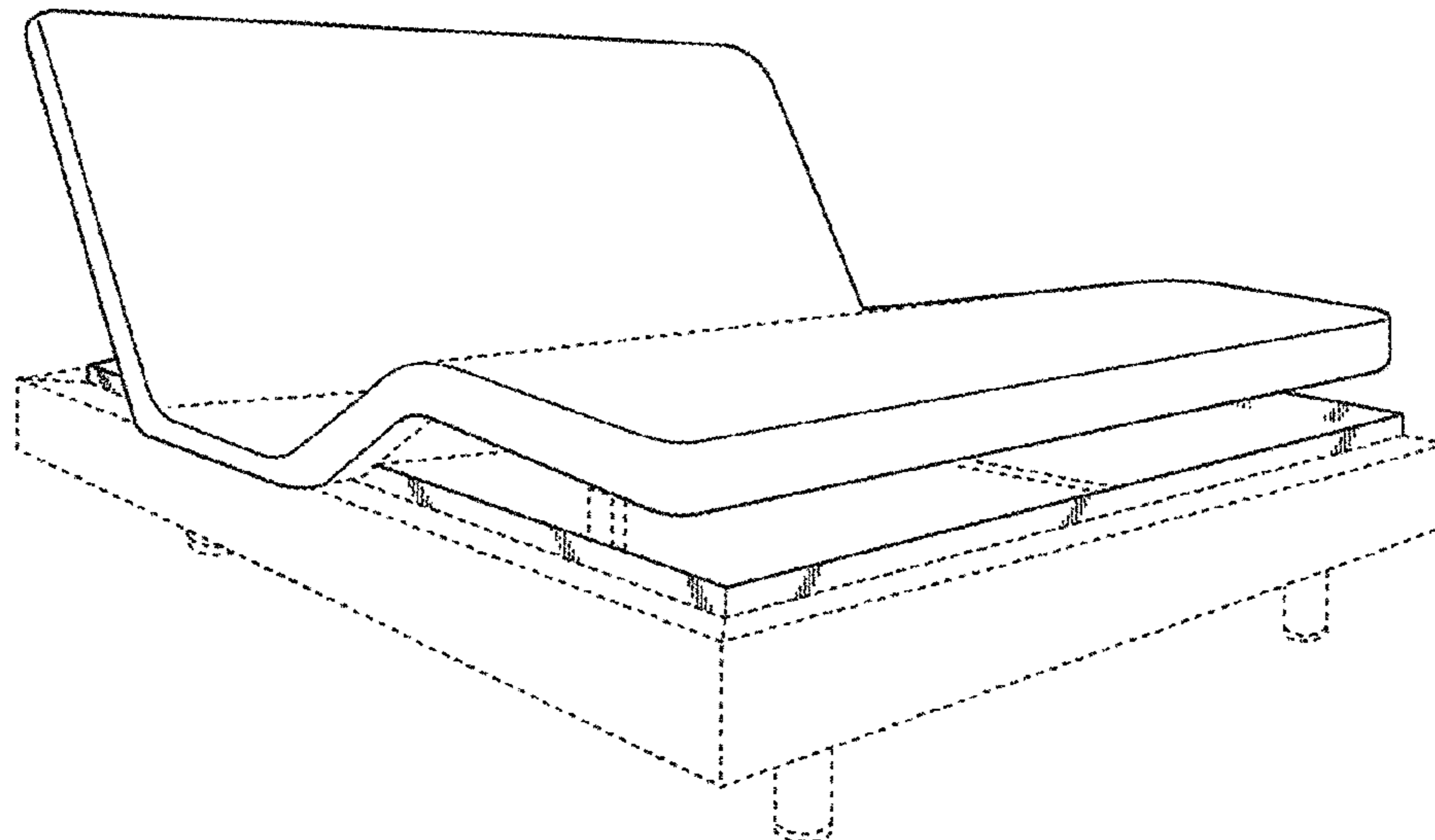
(57) **CLAIM**

The ornamental design for an deck-on-deck adjustable bed, as shown and described.

DESCRIPTION

FIG. 1 is a perspective view of a deck-on-deck adjustable bed design; and,
FIG. 2 is a side perspective view of the design of FIG. 1. The broken lines in the drawings illustrate portions of the adjustable bed that form no part of the claimed design.

1 Claim, 1 Drawing Sheet



(56)

References Cited

U.S. PATENT DOCUMENTS

4,589,620	A	5/1986	Sakamoto	7,237,287	B2	7/2007	Weismiller et al.
4,764,881	A	8/1988	Gagnon	7,242,308	B2	7/2007	Ulrich et al.
4,868,941	A	9/1989	Tai	7,315,535	B2	1/2008	Schuman
4,893,365	A *	1/1990	Justice	7,321,811	B1	1/2008	Rawls-Meehan
				7,322,058	B2	1/2008	Long
				7,346,944	B2	3/2008	Shaw
				7,353,550	B2	4/2008	Antinori
				7,364,539	B2	4/2008	Mackin et al.
				7,448,100	B1	11/2008	Shih
				7,465,280	B2	12/2008	Rawls-Meehan
				7,477,285	B1	1/2009	Johnson
				7,690,060	B2	4/2010	Rodrigues Moreira
				7,698,756	B1	4/2010	Chen
				7,805,782	B2	10/2010	Hakamiun et al.
				7,810,189	B2	10/2010	Boudreau
				7,832,039	B2	11/2010	Chambers et al.
				7,886,379	B2	2/2011	Benzo et al.
				7,900,302	B2	3/2011	Long
				8,069,512	B2	12/2011	Rawls-Meehan
				8,091,165	B2	1/2012	Mossbeck
				D653,870	S	2/2012	Messenger
				D657,158	S	4/2012	McCarty et al.
				8,146,188	B2	4/2012	Hibler
				8,150,562	B2	4/2012	Rawls-Meehan
				8,261,382	B2 *	9/2012	Kanthasamy A47C 20/043 16/323
				8,375,488	B2	2/2013	Rawls-Meehan
				D707,463	S *	6/2014	McCarty D6/361
				D717,088	S	11/2014	Rawls-Meehan
				D717,575	S	11/2014	Rawls-Meehan
				D719,759	S	12/2014	Rawls-Meehan
				D720,553	S *	1/2015	Rawls-Meehan D6/392
				9,049,939	B2 *	6/2015	Viberg A47C 20/041
				9,167,908	B1 *	10/2015	Anthony A47C 19/021
				9,237,814	B2	1/2016	Rawls-Meehan
				D756,678	S *	5/2016	Rawls-Meehan D6/392
				D763,005	S *	8/2016	Rawls-Meehan D6/392
				2002/0078509	A1 *	6/2002	Williams A47C 23/005 5/716
				2002/0091340	A1	7/2002	Robbins
				2003/0009831	A1	1/2003	Giori et al.
				2003/0052787	A1	3/2003	Zerhusen et al.
				2004/0068797	A1	4/2004	Smith et al.
				2004/0117835	A1	6/2004	Lorkovic
				2004/0133987	A1	7/2004	Reeder et al.
				2004/0139546	A1	7/2004	Ferrand et al.
				2004/0143201	A1	7/2004	Moriyasu
				2004/0183681	A1	9/2004	Smith
				2004/0216235	A1	11/2004	Rees
				2005/0000020	A1	1/2005	Schermel
				2005/0005357	A1	1/2005	Van Raemdonck
				2005/0011005	A1	1/2005	Borda
				2005/0077859	A1	4/2005	Nagaoka
				2005/0102167	A1	5/2005	Kapoor
				2006/0037532	A1	2/2006	Eidson
				2006/0056616	A1	3/2006	Heimbrock
				2006/0058587	A1	3/2006	Heimbrock et al.
				2006/0087097	A1	4/2006	Kramer et al.
				2006/0146017	A1	7/2006	Leung et al.
				2006/0179571	A1	8/2006	Newkirk
				2006/0271207	A1	11/2006	Shaw
				2006/0277683	A1	12/2006	Lamire et al.
				2006/0282945	A1	12/2006	Gallawa et al.
				2007/0000057	A1	1/2007	Ward
				2007/0143920	A1	6/2007	Frondorf et al.
				2007/0163045	A1	7/2007	Becker et al.
				2007/0174964	A1	8/2007	Lemire et al.
				2007/0220677	A1	9/2007	Dewert
				2008/0028535	A1	2/2008	Rodrigues Moreira
				2008/0052831	A1	3/2008	Weismiller et al.
				2008/0071200	A1	3/2008	Rawls-Meehan
				2008/0092291	A1	4/2008	Rawls-Meehan
				2008/0092292	A1	4/2008	Rawls-Meehan
				2008/0092293	A1	4/2008	Rawls-Meehan
				2008/0092294	A1	4/2008	Rawls-Meehan
				2008/0094207	A1	4/2008	Collins et al.
				2008/0104750	A1	5/2008	Rawls-Meehan
				2008/0104754	A1	5/2008	Rawls-Meehan
				2008/0104755	A1	5/2008	Rawls-Meehan
4,589,620	A	5/1986	Sakamoto				
4,764,881	A	8/1988	Gagnon				
4,868,941	A	9/1989	Tai				
4,893,365	A *	1/1990	Justice	A47C 27/001			
				5/613			
4,928,332	A *	5/1990	Ogden	A47C 20/08			
				5/308			
5,079,790	A	1/1992	Pouch				
5,165,129	A	11/1992	Rohm				
5,210,890	A	5/1993	Hagglund				
5,230,113	A	7/1993	Foster et al.				
5,235,258	A	8/1993	Schuerch				
5,257,428	A	11/1993	Carroll et al.				
5,335,313	A	8/1994	Douglas				
5,537,701	A *	7/1996	Elliott	A47C 19/005			
				5/616			
5,544,376	A *	8/1996	Fromson	A61G 7/018			
				318/16			
5,577,280	A	11/1996	Elliott				
5,592,153	A	1/1997	Welling et al.				
5,600,214	A	2/1997	Fromson				
5,640,730	A *	6/1997	Godette	A47C 20/041			
				5/617			
5,659,905	A	8/1997	Palmer, Jr. et al.				
5,664,270	A	9/1997	Bell et al.				
5,720,471	A	2/1998	Constantinescu et al.				
5,771,511	A	6/1998	Kummer et al.				
5,787,528	A	8/1998	Antinori				
5,926,877	A	7/1999	Lin				
5,948,303	A	9/1999	Larson				
5,953,778	A	9/1999	Hiatt				
5,969,488	A	10/1999	Fromson				
5,978,992	A	11/1999	Antinori				
6,008,598	A	12/1999	Luff et al.				
6,079,065	A	6/2000	Luff et al.				
6,101,647	A	8/2000	Stroud et al.				
6,106,576	A	8/2000	Fromson				
6,128,798	A	10/2000	Barman et al.				
6,163,904	A	12/2000	Royston				
6,209,157	B1	4/2001	Hensley				
6,216,295	B1	4/2001	Pearson				
6,263,527	B1	7/2001	Ross et al.				
6,276,011	B1	8/2001	Antinori				
6,311,348	B1	11/2001	Luff et al.				
6,315,319	B1	11/2001	Hanson et al.				
6,347,423	B1	2/2002	Stumpf				
6,374,436	B1	4/2002	Foster et al.				
6,378,152	B1	4/2002	Washburn et al.				
6,393,641	B1	5/2002	Hensley				
6,446,282	B1	9/2002	Wu				
6,486,792	B1	11/2002	Moster et al.				
6,499,161	B1	12/2002	Godette				
6,499,162	B1	12/2002	Lu				
6,600,421	B2	7/2003	Freeman				
6,681,425	B2	1/2004	Leventhal et al.				
6,684,423	B2	2/2004	Godette				
6,708,358	B2	3/2004	Hensley				
6,748,278	B1	6/2004	Maymudes				
6,789,280	B1	9/2004	Paul				
6,857,148	B2	2/2005	Van Raemdonck				
6,857,689	B2 *	2/2005	Dodgen	A47C 20/041			
				296/156			
6,928,673	B2	8/2005	Risk, Jr.				
6,951,037	B2 *	10/2005	Weinman	A47C 20/041			
				5/200.1			
6,971,997	B1	12/2005	Ryan et al.				
7,000,269	B2	2/2006	Borda				
7,017,208	B2	3/2006	Weismiller et al.				
7,040,057	B2	5/2006	Gallant et al.				
7,047,579	B2	5/2006	Piana et al.				
7,120,956	B1	10/2006	Liao				
7,154,397	B2	12/2006	Zerhusen et al.				
7,165,277	B2	1/2007	Taguchi et al.				
7,174,586	B2	2/2007	Nagaoka				

(56)

References Cited

U.S. PATENT DOCUMENTS

2008/0104756 A1 5/2008 Rawls-Meehan
 2008/0104757 A1 5/2008 Rawls-Meehan
 2008/0104758 A1 5/2008 Rawls-Meehan
 2008/0104759 A1 5/2008 Rawls-Meehan
 2008/0104760 A1 5/2008 Rawls-Meehan
 2008/0104761 A1 5/2008 Rawls-Meehan
 2008/0109959 A1 5/2008 Rawls-Meehan
 2008/0115272 A1 5/2008 Rawls-Meehan
 2008/0115273 A1 5/2008 Rawls-Meehan
 2008/0115274 A1 5/2008 Rawls-Meehan
 2008/0115275 A1 5/2008 Rawls-Meehan
 2008/0115276 A1 5/2008 Rawls-Meehan
 2008/0115277 A1 5/2008 Rawls-Meehan
 2008/0115278 A1 5/2008 Rawls-Meehan
 2008/0115279 A1 5/2008 Rawls-Meehan
 2008/0115280 A1 5/2008 Rawls-Meehan
 2008/0115281 A1 5/2008 Rawls-Meehan
 2008/0115282 A1 5/2008 Rawls-Meehan
 2008/0120775 A1 5/2008 Rawls-Meehan
 2008/0120776 A1 5/2008 Rawls-Meehan
 2008/0120777 A1 5/2008 Rawls-Meehan
 2008/0120778 A1 5/2008 Rawls-Meehan
 2008/0120779 A1 5/2008 Rawls-Meehan

2008/0127418 A1 6/2008 Rawls-Meehan
 2008/0178388 A1 7/2008 Schermel
 2008/0224861 A1 9/2008 McNeely et al.
 2009/0038073 A1 2/2009 Dippl et al.
 2009/0100599 A1 4/2009 Rawls-Meehan
 2009/0121660 A1 5/2009 Rawls-Meehan
 2009/0193587 A1 8/2009 Neuenswander et al.
 2009/0300844 A1 12/2009 Taylor
 2010/0186168 A1 7/2010 Harrison
 2010/0275376 A1 11/2010 Benzo et al.
 2010/0287699 A1 11/2010 Brune
 2011/0010860 A1 1/2011 Grimes et al.
 2011/0191959 A1 8/2011 Hornbach et al.
 2011/0219545 A1 9/2011 Dorenbeck et al.
 2014/0000033 A1* 1/2014 Clenet A61G 7/015
 5/618
 2014/0325761 A1 11/2014 Rawls-Meehan
 2016/0084487 A1* 3/2016 Chacon A47C 20/041
 315/297
 2016/0262548 A1* 9/2016 Broom A47C 20/04

FOREIGN PATENT DOCUMENTS

JP 2004105285 A 4/2004
 KR 200214428 Y1 3/2001

* cited by examiner

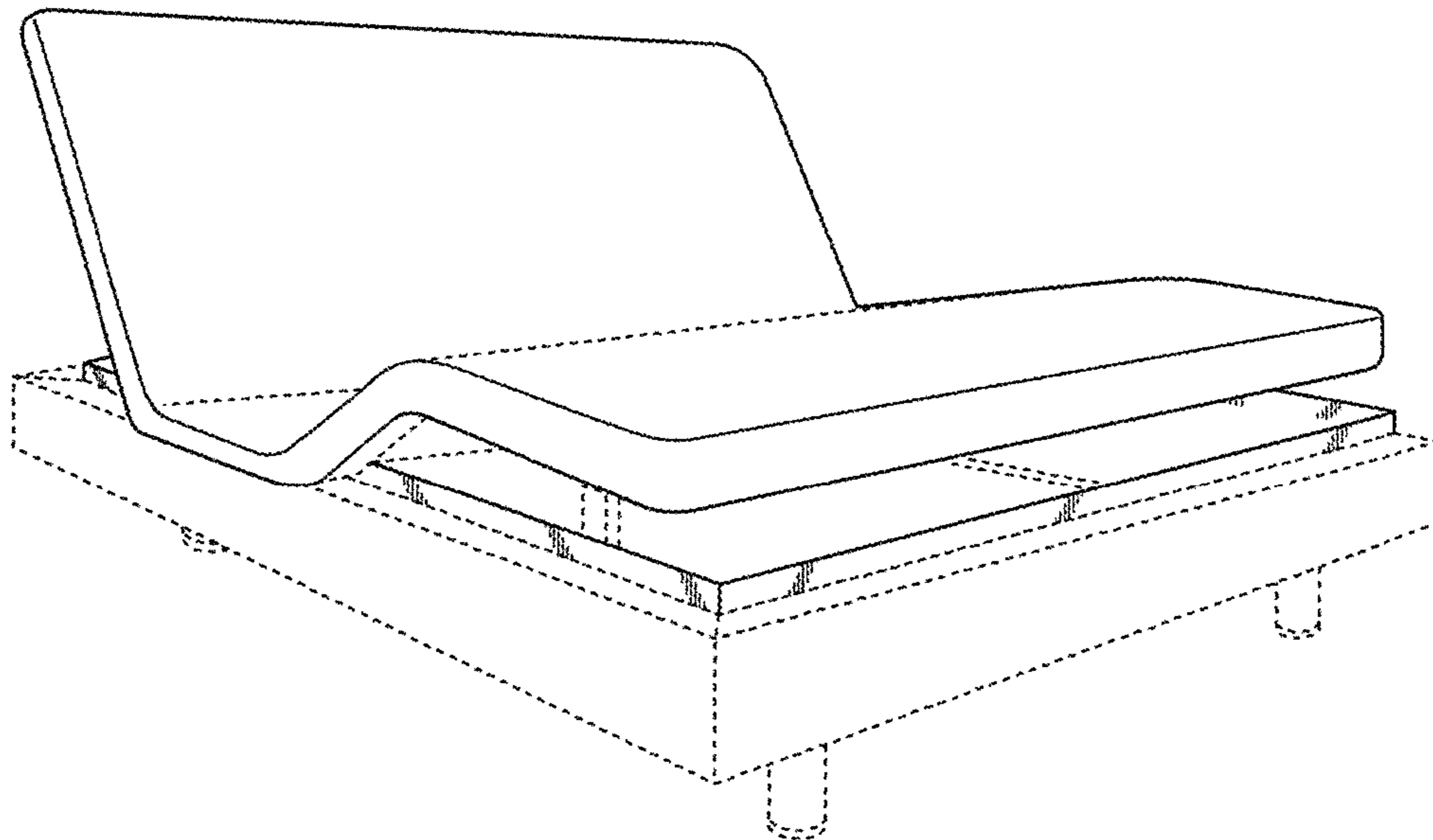


FIG. 1

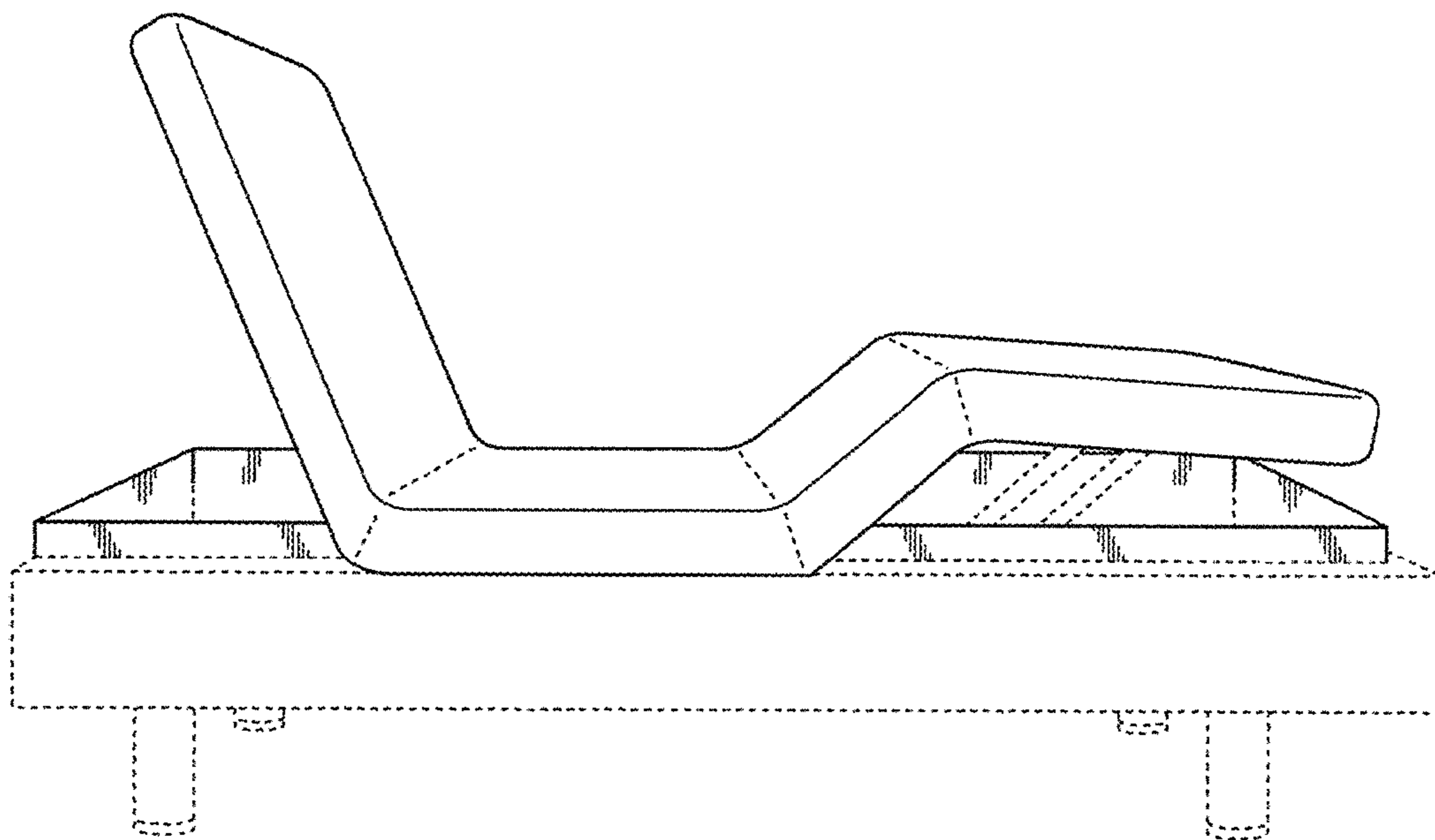


FIG. 2