



US00D785356S

(12) **United States Design Patent**
Massaud

(10) **Patent No.:** **US D785,356 S**

(45) **Date of Patent:** **** May 2, 2017**

- (54) **SOFA**
- (71) Applicant: **ARPER S.P.A.**, Monastier di Treviso (IT)
- (72) Inventor: **Jean-Marie Massaud**, Treviso (IT)
- (73) Assignee: **ARPER S.p.A.**, Treviso (IT)
- (**) Term: **15 Years**

D498,064 S *	11/2004	Gomez	D6/334
D499,270 S *	12/2004	Relling	D6/381
D501,330 S *	2/2005	Gomez	D6/334
D533,365 S *	12/2006	Martin	D6/334
D539,561 S *	4/2007	Martin	D6/381
D590,165 S *	4/2009	Natuzzi	D6/381
D601,825 S *	10/2009	Starck	D6/381
D635,788 S *	4/2011	Schwamkrug	D6/371
D702,051 S *	4/2014	Rasenberg	D6/334
D725,931 S *	4/2015	Lievore	D6/381
D753,408 S *	4/2016	Lade	D6/381

(21) Appl. No.: **35/500,560**

* cited by examiner

(22) Filed: **Oct. 14, 2015**

Primary Examiner — Mary Ann Calabrese

(80) **Hague Agreement Data**

(74) *Attorney, Agent, or Firm* — Thomas | Horstemeyer, LLP

Int. Filing Date: **Oct. 14, 2015**

Int. Reg. No.: **DM/089066**

Int. Reg. Date: **Oct. 14, 2015**

Int. Reg. Pub. Date: **Feb. 5, 2016**

(51) **LOC (10) Cl.** **06-01**

(52) **U.S. Cl.**

USPC **D6/371**

(58) **Field of Classification Search**

USPC D6/334, 371, 372, 374, 375, 381, 708.17

CPC A47C 3/12; A47C 5/00; A47C 5/06; A47C

5/12; A47C 7/08; A47C 7/18; A47C 7/21;

A47C 7/24; A47C 7/16; A47C 7/54;

A47C 17/00

See application file for complete search history.

(56) **References Cited**

U.S. PATENT DOCUMENTS

D318,183 S * 7/1991 Fister, Jr. D6/334

D360,310 S * 7/1995 Stamberg D6/334

(57) **CLAIM**

The ornamental design for a sofa, as shown and described.

DESCRIPTION

1. Sofa

1.1 is a perspective view.

1.2 is a right side view.

1.3 is a left side view.

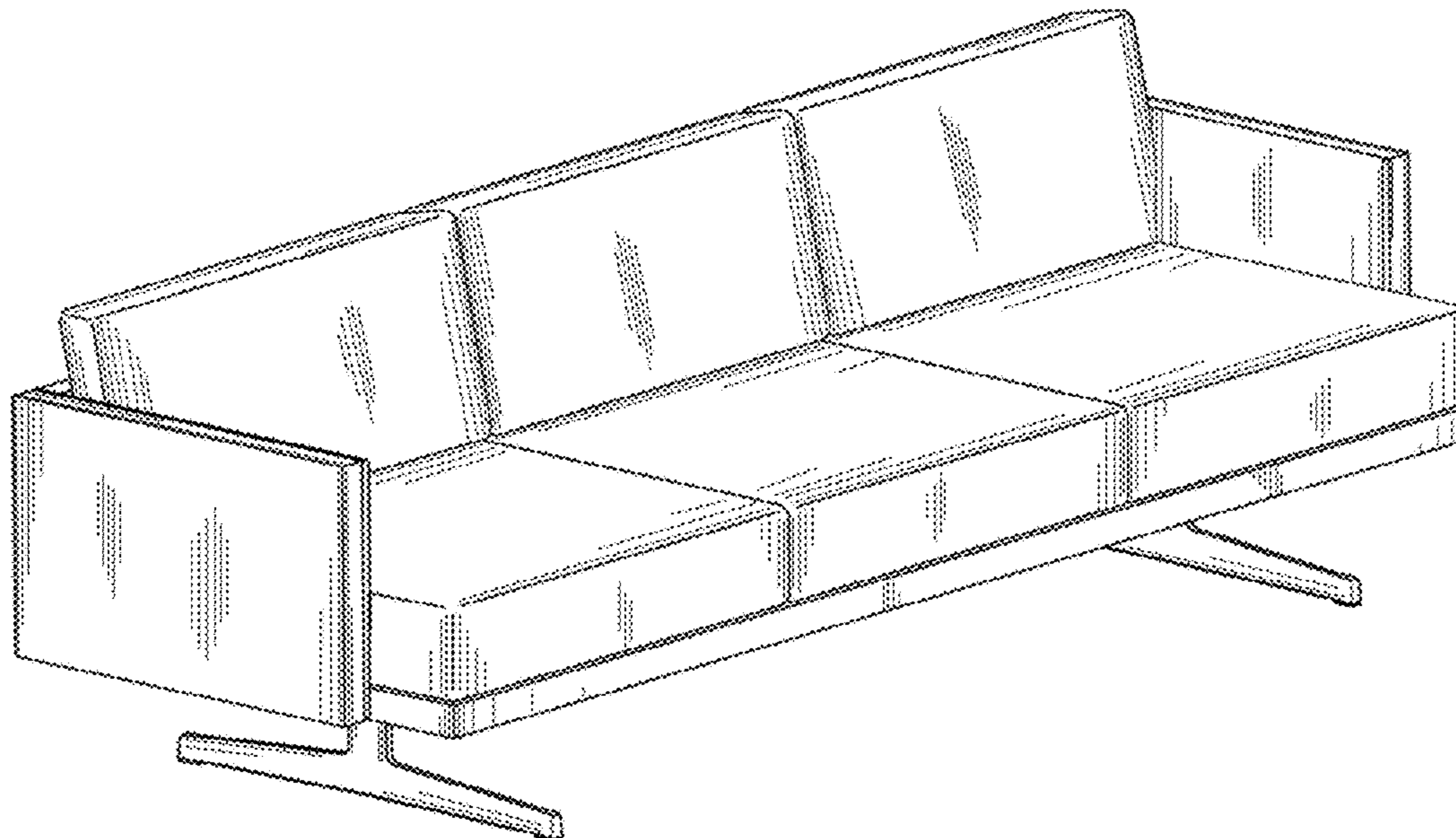
1.4 is a front view.

1.5 is a rear view.

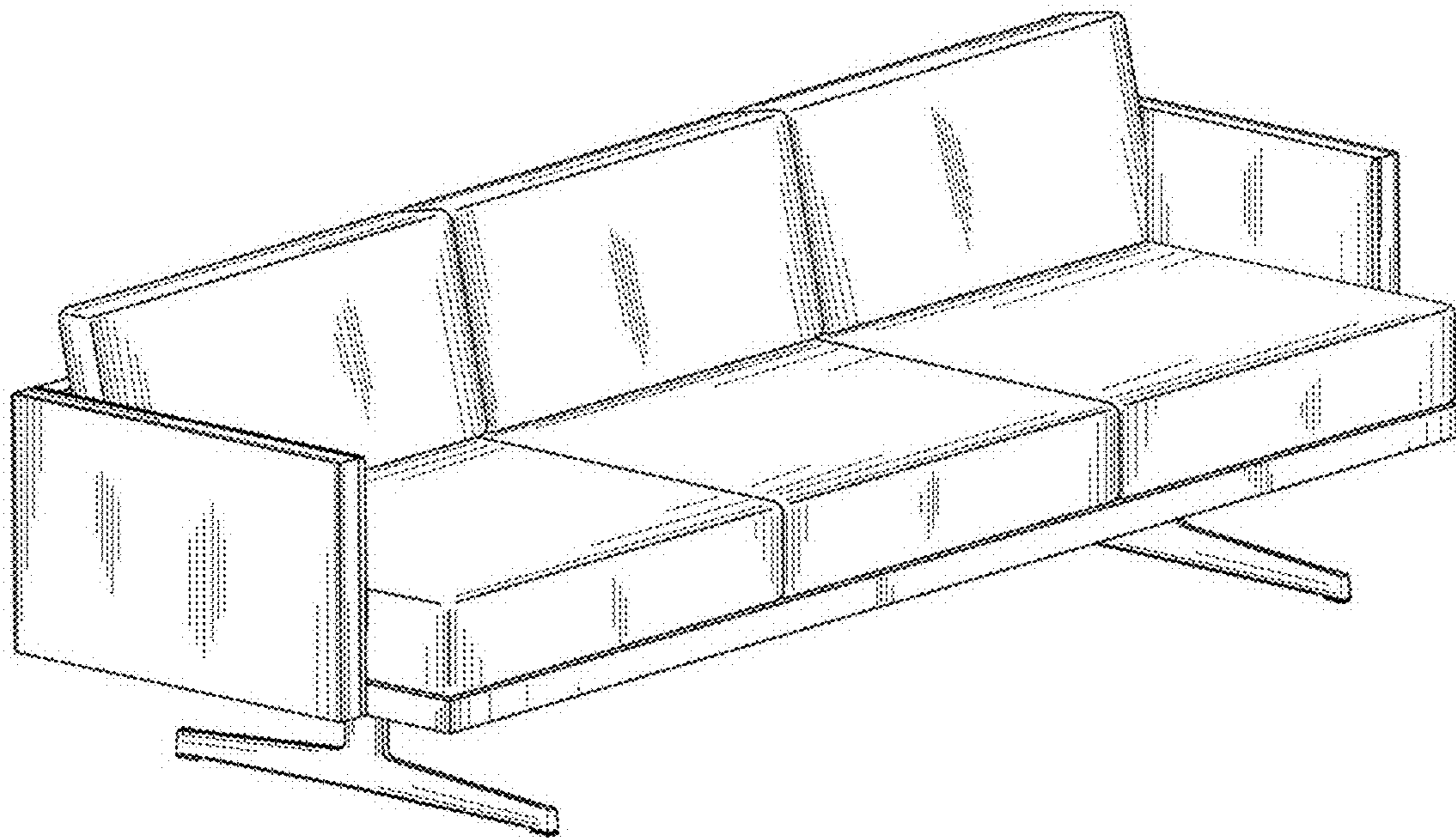
1.6 is a top view.

1.7 is a bottom view.

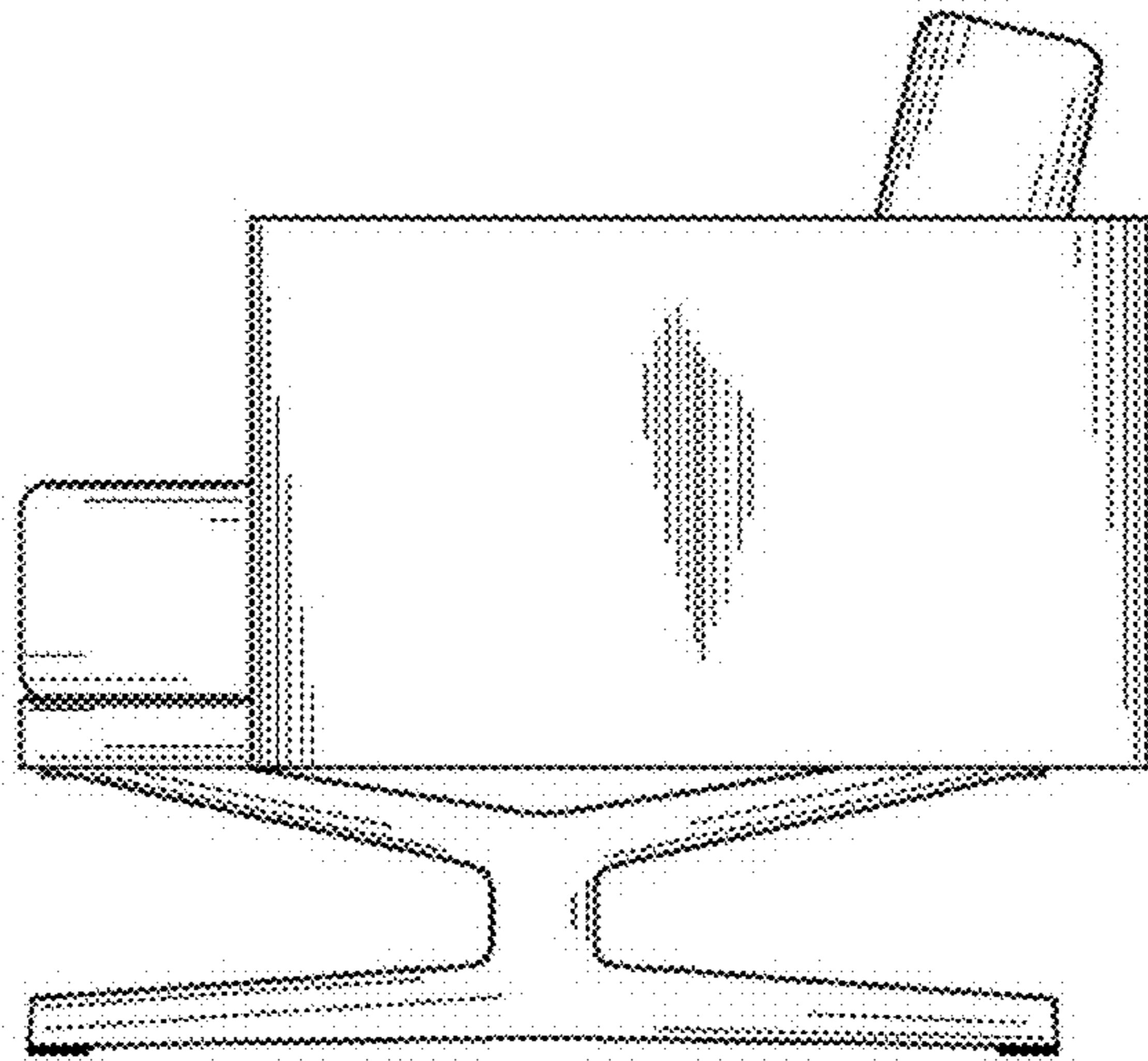
1 Claim, 7 Drawing Sheets



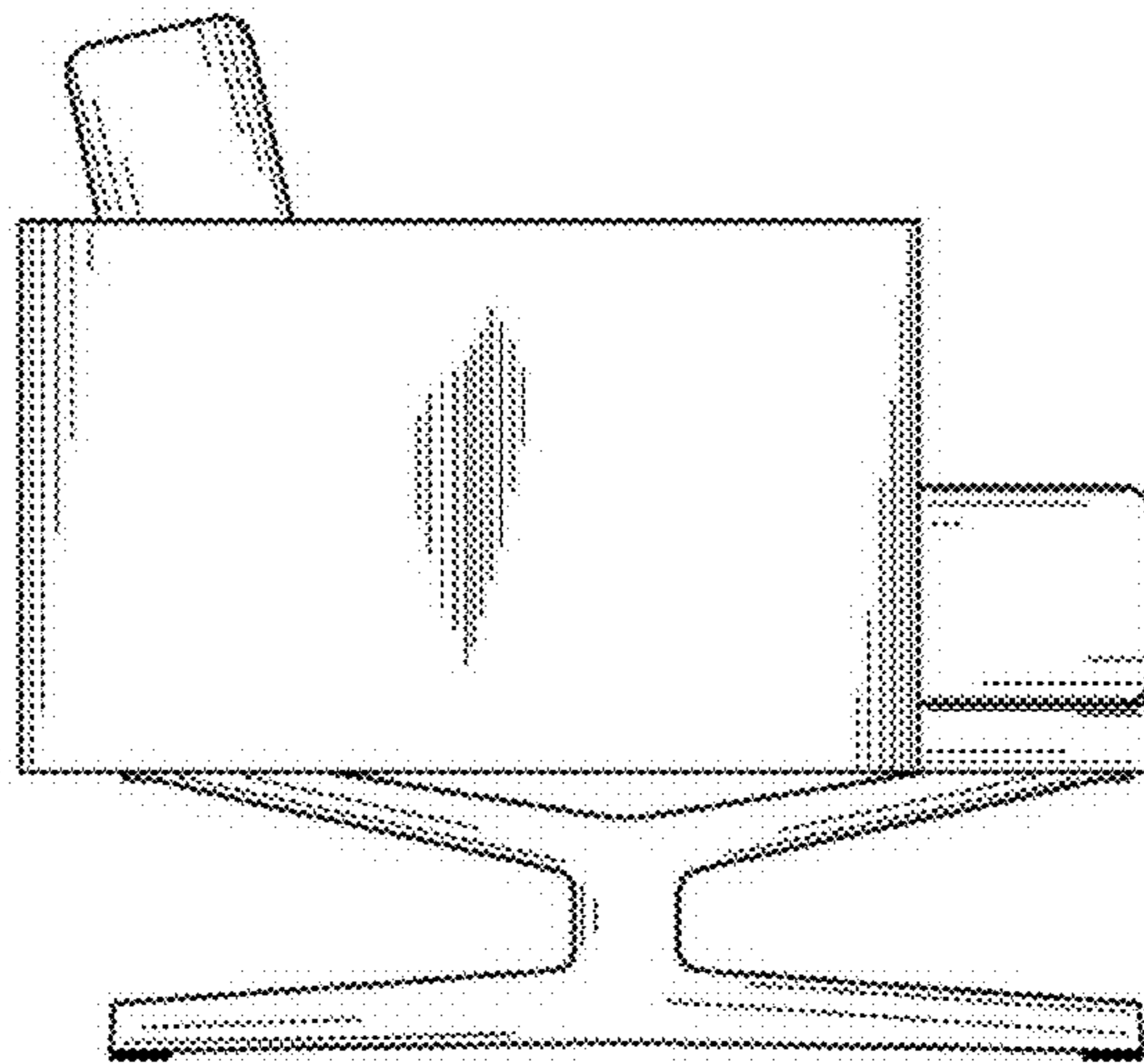
1.1



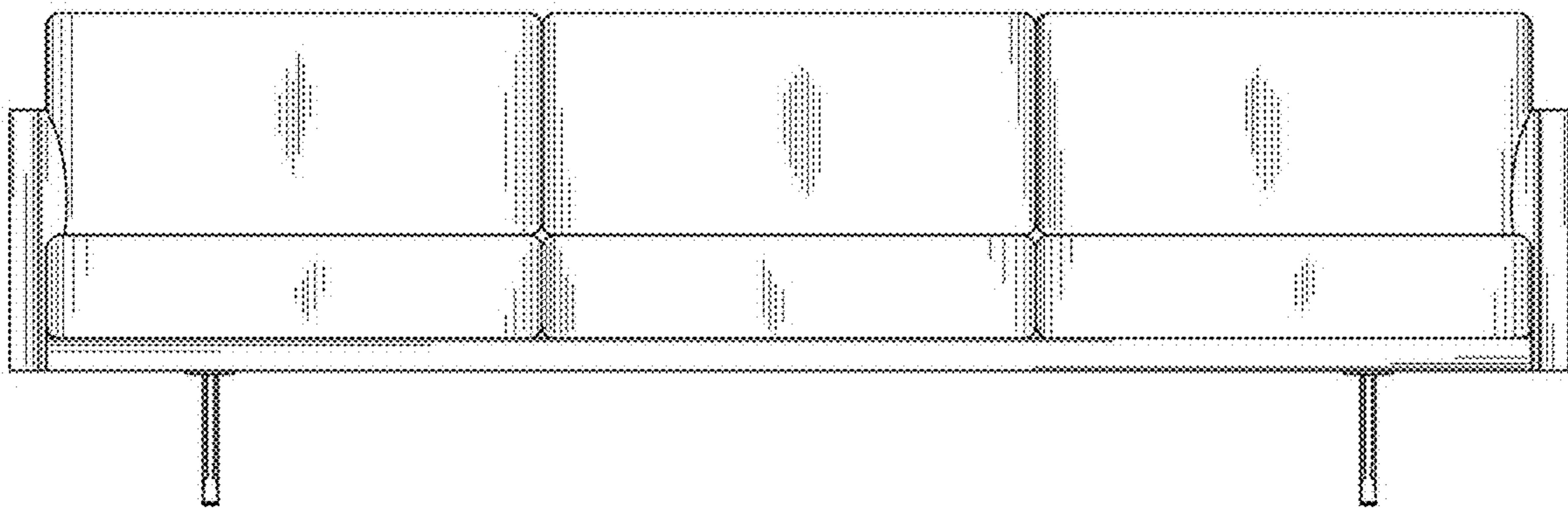
1.2



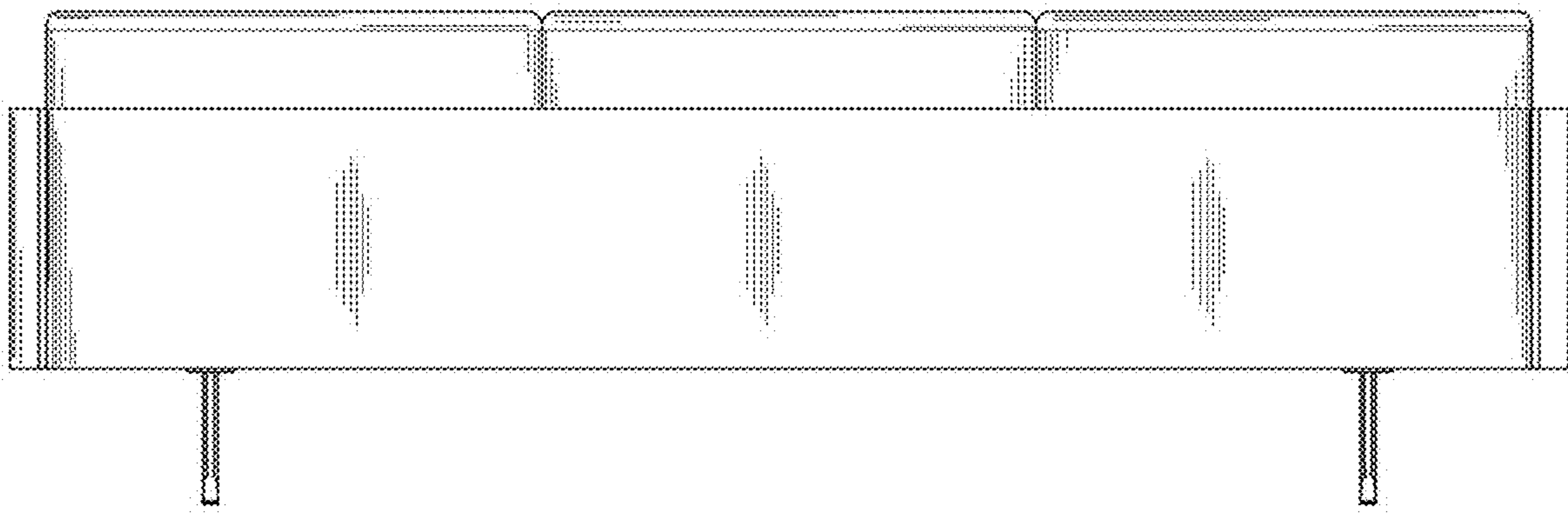
1.3



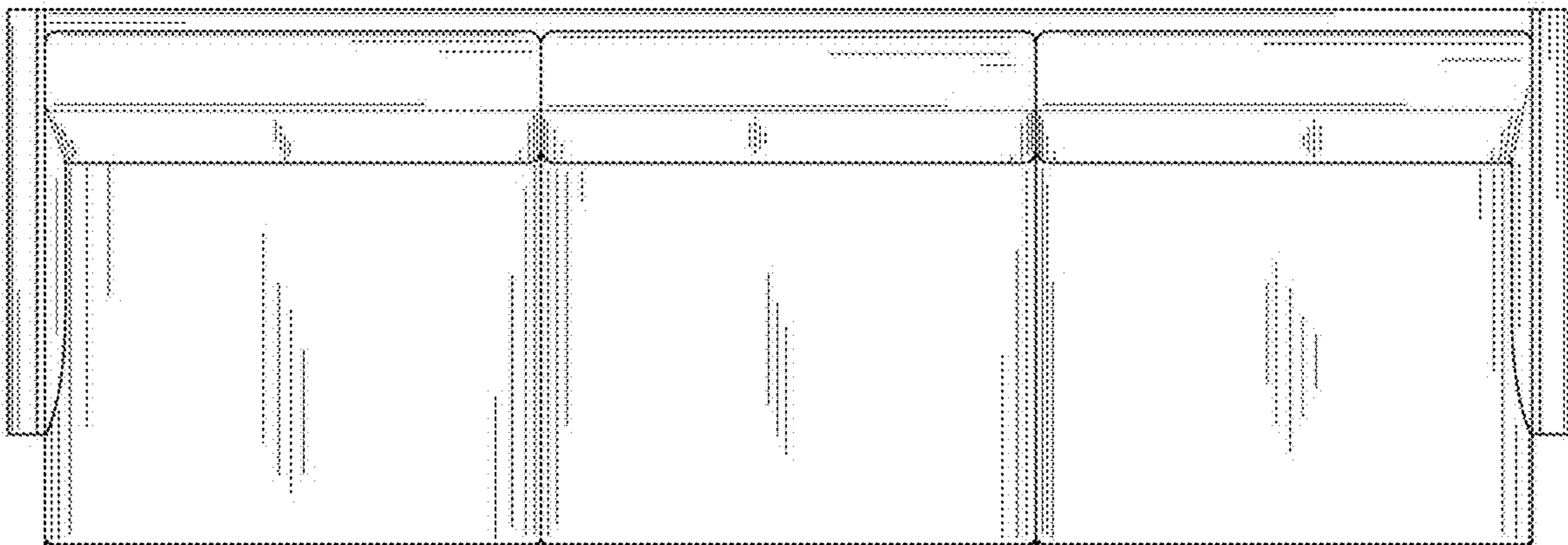
1.4



1.5



1.6



1.7

