



US00D785355S

(12) **United States Design Patent** (10) **Patent No.:** **US D785,355 S**
George, II et al. (45) **Date of Patent:** **** May 2, 2017**

(54) **CHAIR**

(71) Applicants: **Daniel C. George, II**, Grand Rapids, MI (US); **Matthew Jung**, Grand Rapids, MI (US); **Jean Joseph**, South Haven, MI (US)

(72) Inventors: **Daniel C. George, II**, Grand Rapids, MI (US); **Matthew Jung**, Grand Rapids, MI (US); **Jean Joseph**, South Haven, MI (US)

(73) Assignee: **Comfort Research, LLC**, Grand Rapids, MI (US)

(**) Term: **15 Years**

(21) Appl. No.: **29/563,212**

(22) Filed: **May 3, 2016**

Related U.S. Application Data

(63) Continuation of application No. 29/543,013, filed on Oct. 20, 2015, now Pat. No. Des. 754,983, which is a continuation of application No. 29/506,394, filed on Oct. 15, 2014, now Pat. No. Des. 741,077.

(51) **LOC (10) Cl.** **06-01**

(52) **U.S. Cl.**
USPC **D6/371**

(58) **Field of Classification Search**
USPC D6/334-336, 364, 369, 371, 373, 374, D6/381, 716, 716.1, 716.4

CPC .. A47C 11/00; A47C 4/02; A47C 4/03; A47C 5/04; A47C 7/021; A47C 7/18
See application file for complete search history.

(56) **References Cited**

U.S. PATENT DOCUMENTS

D239,424 S *	4/1976	Offredi	D6/381
D258,627 S *	3/1981	Halme	D6/371
D263,770 S *	4/1982	Melchior	D6/334
D392,470 S *	3/1998	Smith	D6/364
D422,422 S *	4/2000	Black	D6/369
D425,711 S *	5/2000	Desombre	D6/334
D495,153 S *	8/2004	Ricci	D6/334
D530,527 S *	10/2006	Jourdan	D6/334
D675,452 S *	2/2013	Bellin	D6/334
D724,857 S *	3/2015	Lee	D6/371
D741,077 S *	10/2015	George, II	D6/371
D754,983 S *	5/2016	George, II	D6/371

* cited by examiner

Primary Examiner — Mimosa De

(74) *Attorney, Agent, or Firm* — King & Partners, PLC

(57) **CLAIM**

The ornamental design for a chair, as shown and described.

DESCRIPTION

FIG. 1 is a front perspective view of a chair showing, in particular, the ornamental design thereof.

FIG. 2 is a rear perspective view of the chair of FIG. 1.

FIG. 3 is a front end view of the chair of FIG. 1.

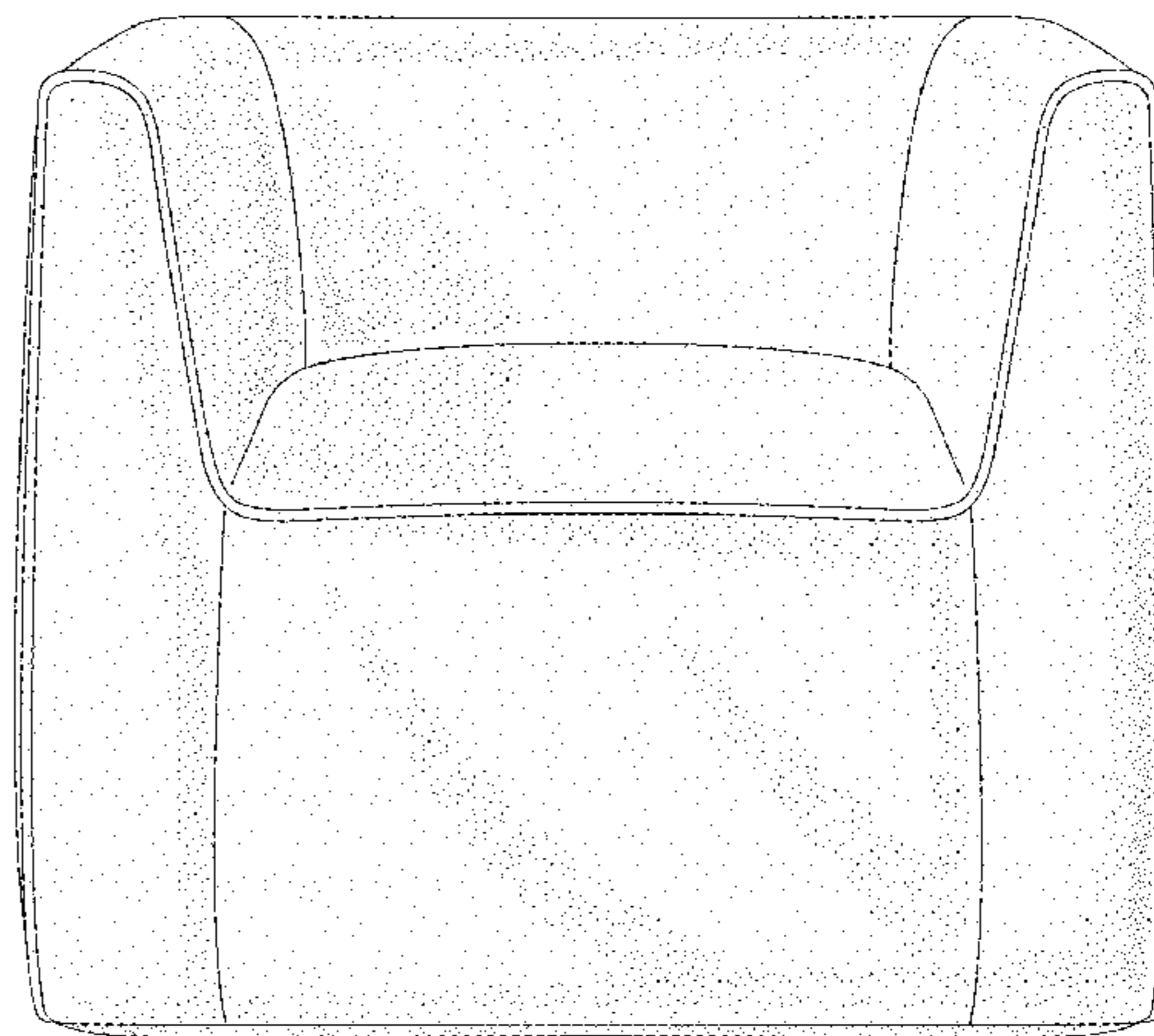
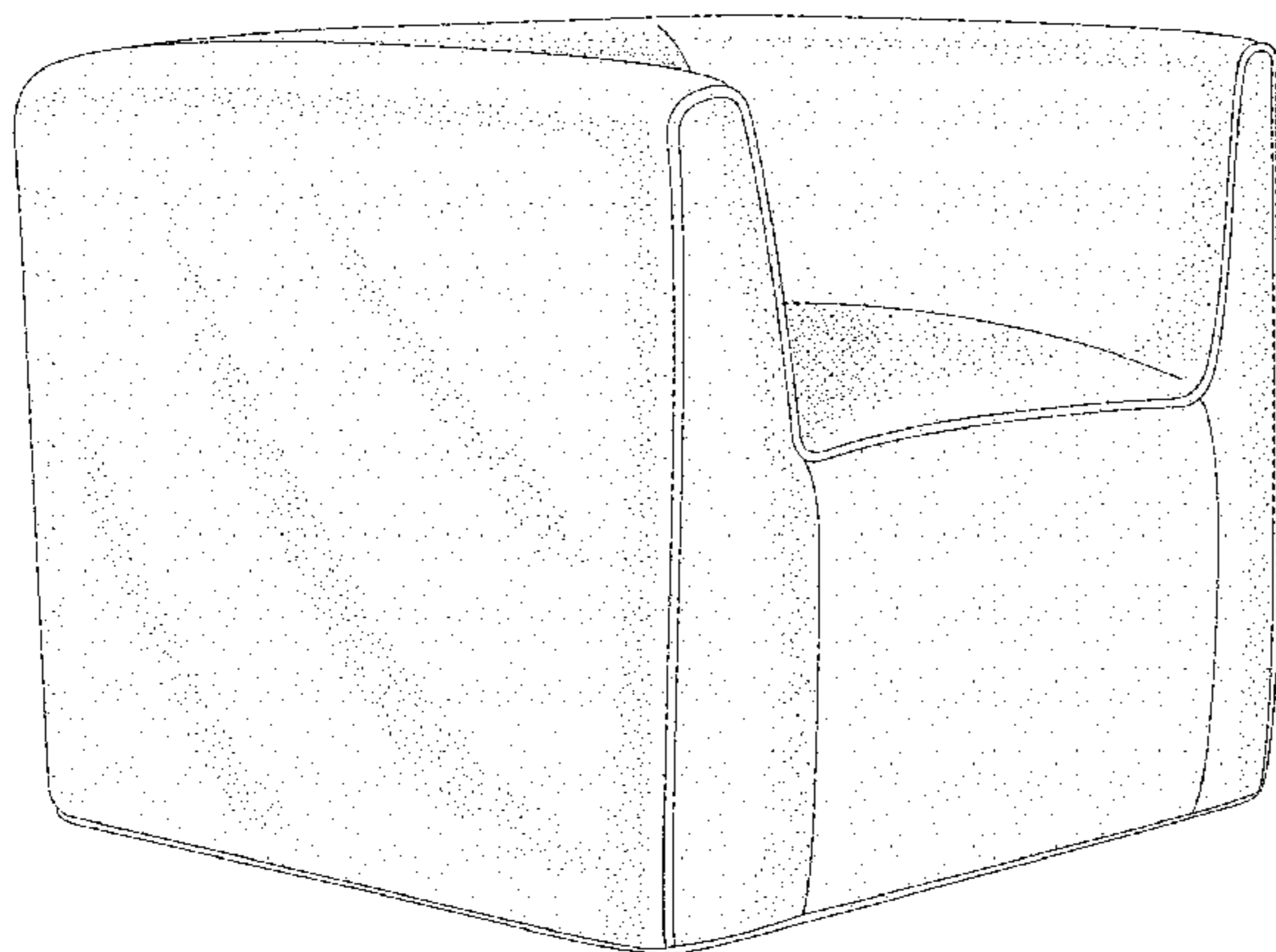
FIG. 4 is a rear end view of the chair of FIG. 1.

FIG. 5 is a right side view of the chair of FIG. 1. It will be understood that a left side view is a mirror image of the right side view; and,

FIG. 6 is a top plan view of the chair of FIG. 1.

It will be understood that the bottom of the chair is flat and unornamented and/or not visible during normal use.

1 Claim, 6 Drawing Sheets



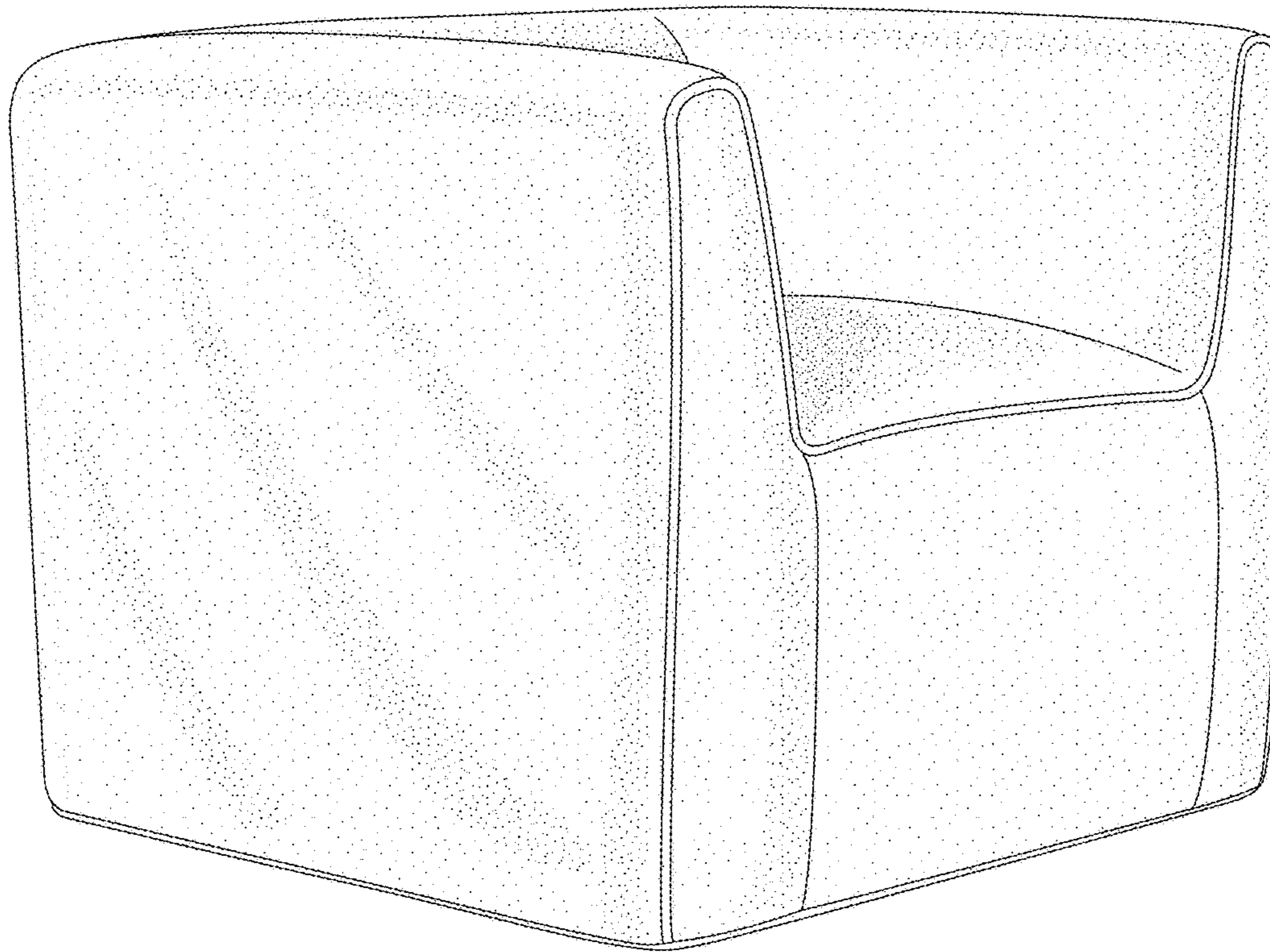


Fig. 1

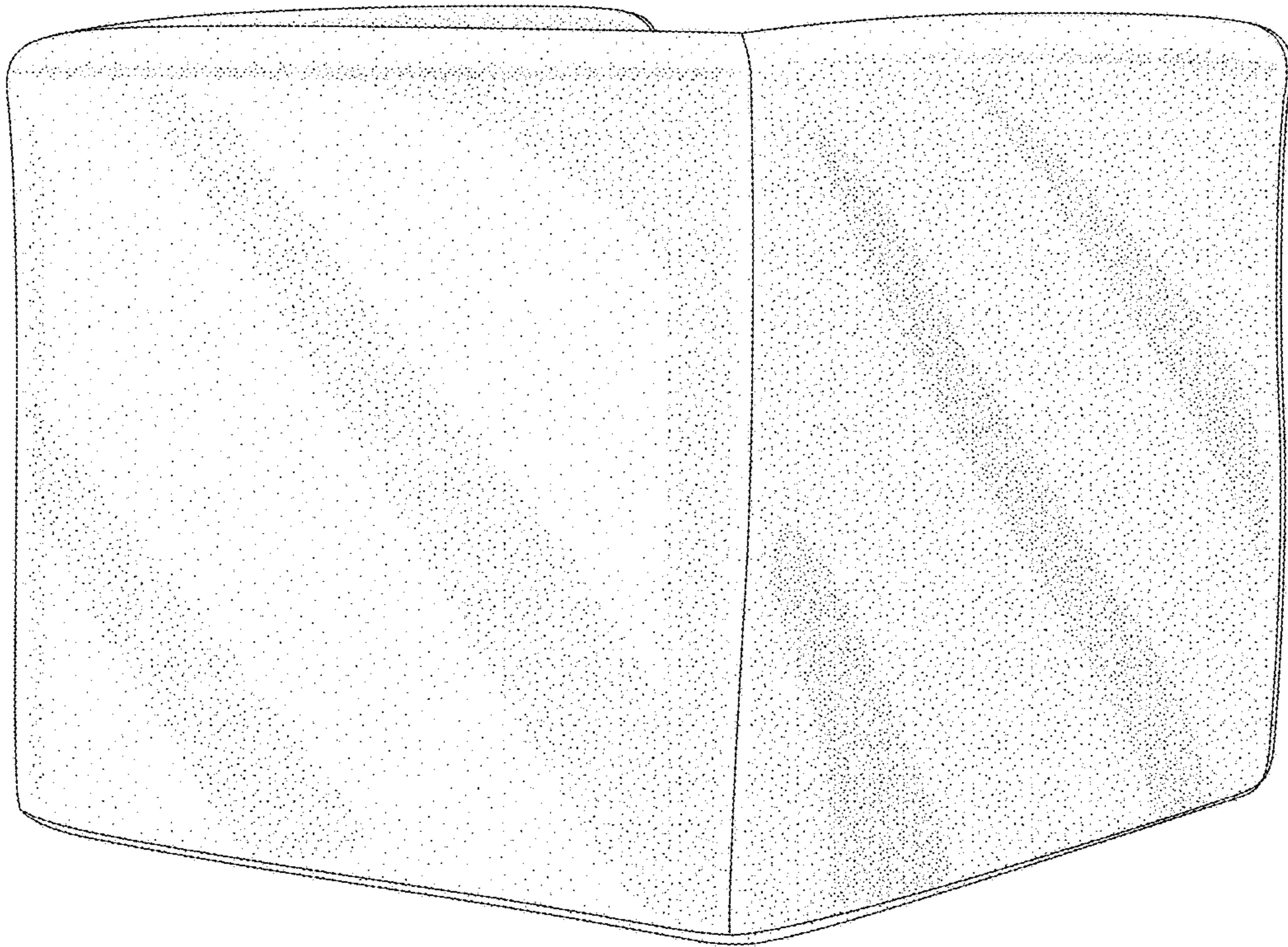


Fig. 2

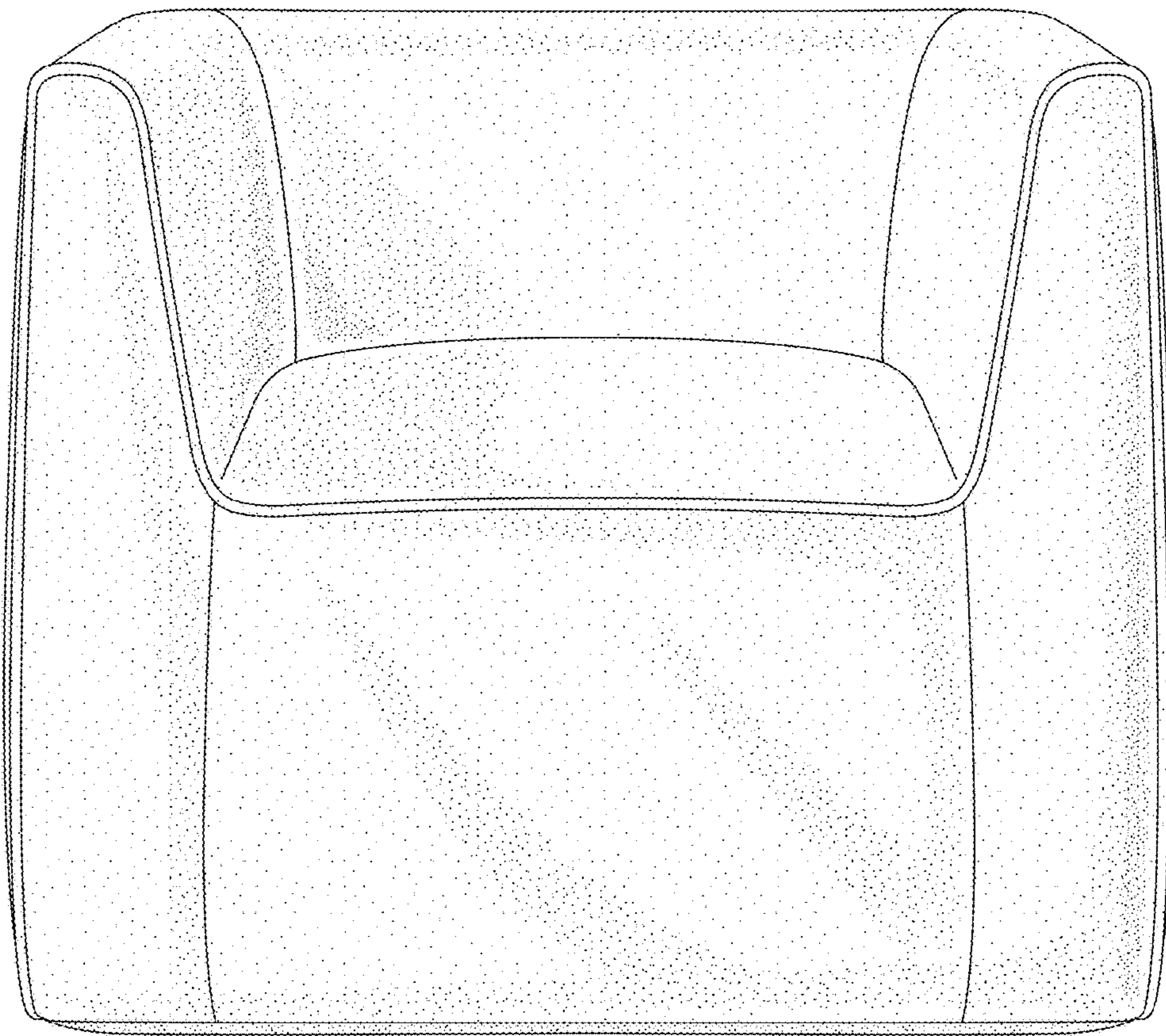


Fig. 3

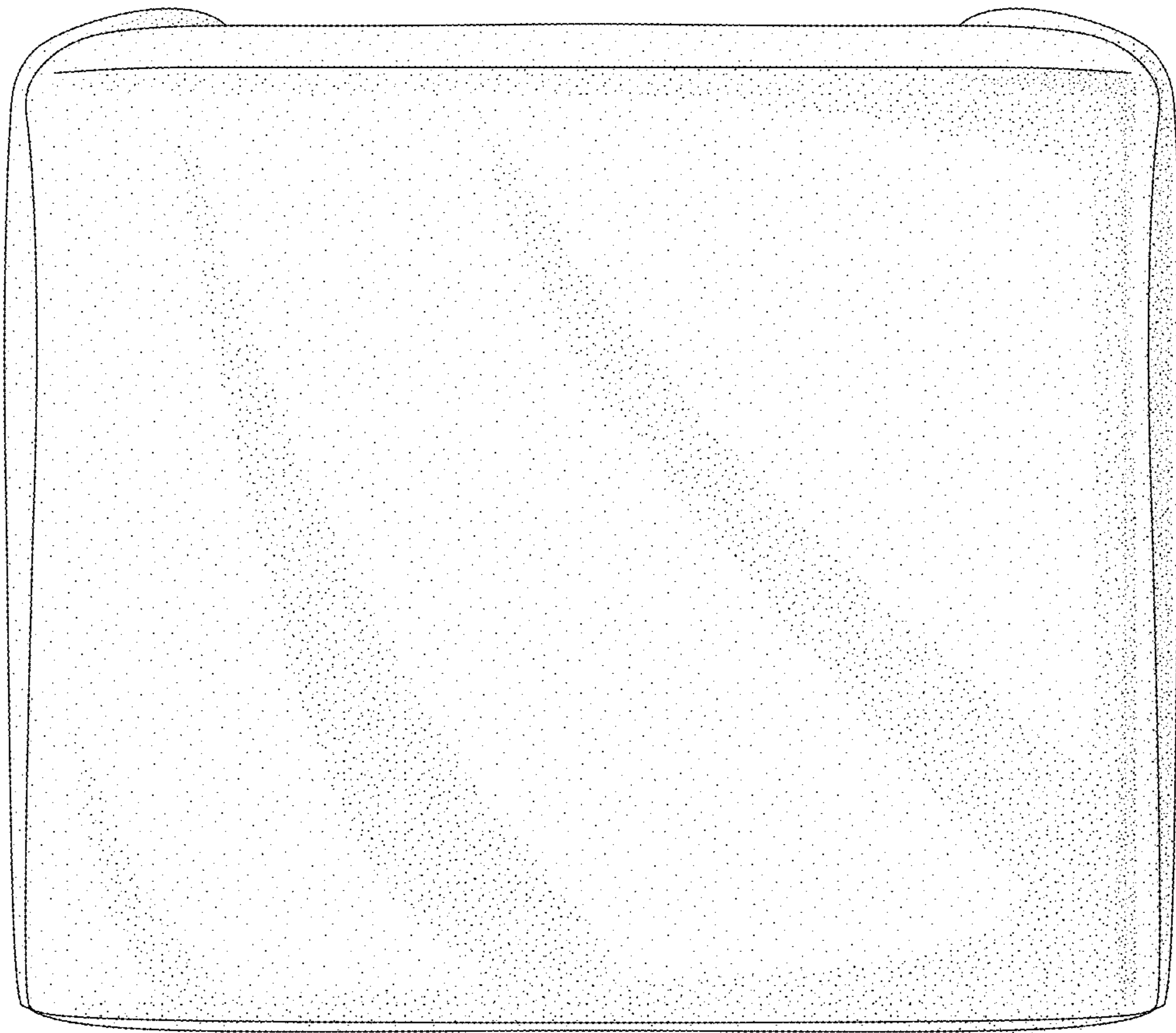


Fig. 4

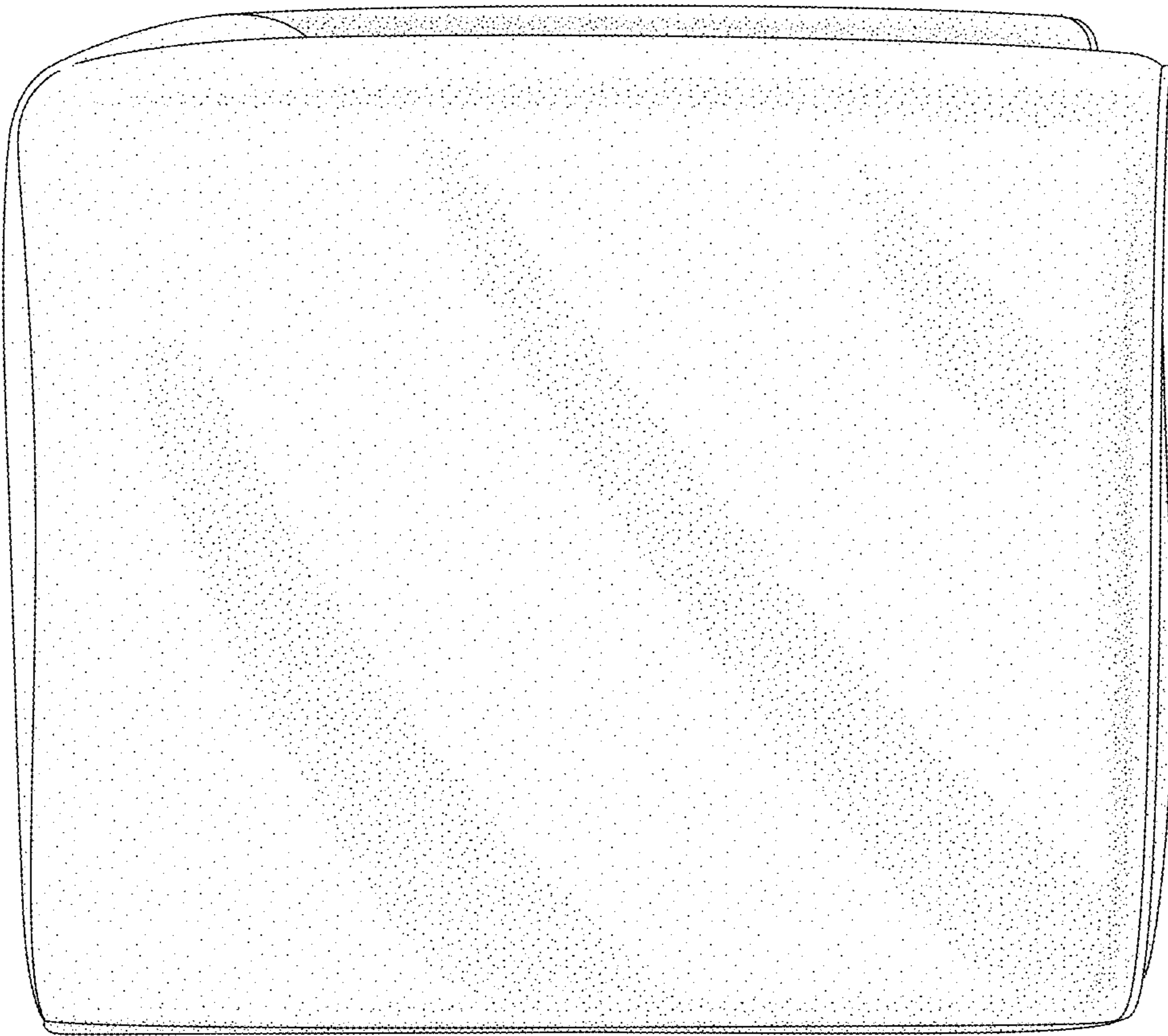


Fig. 5

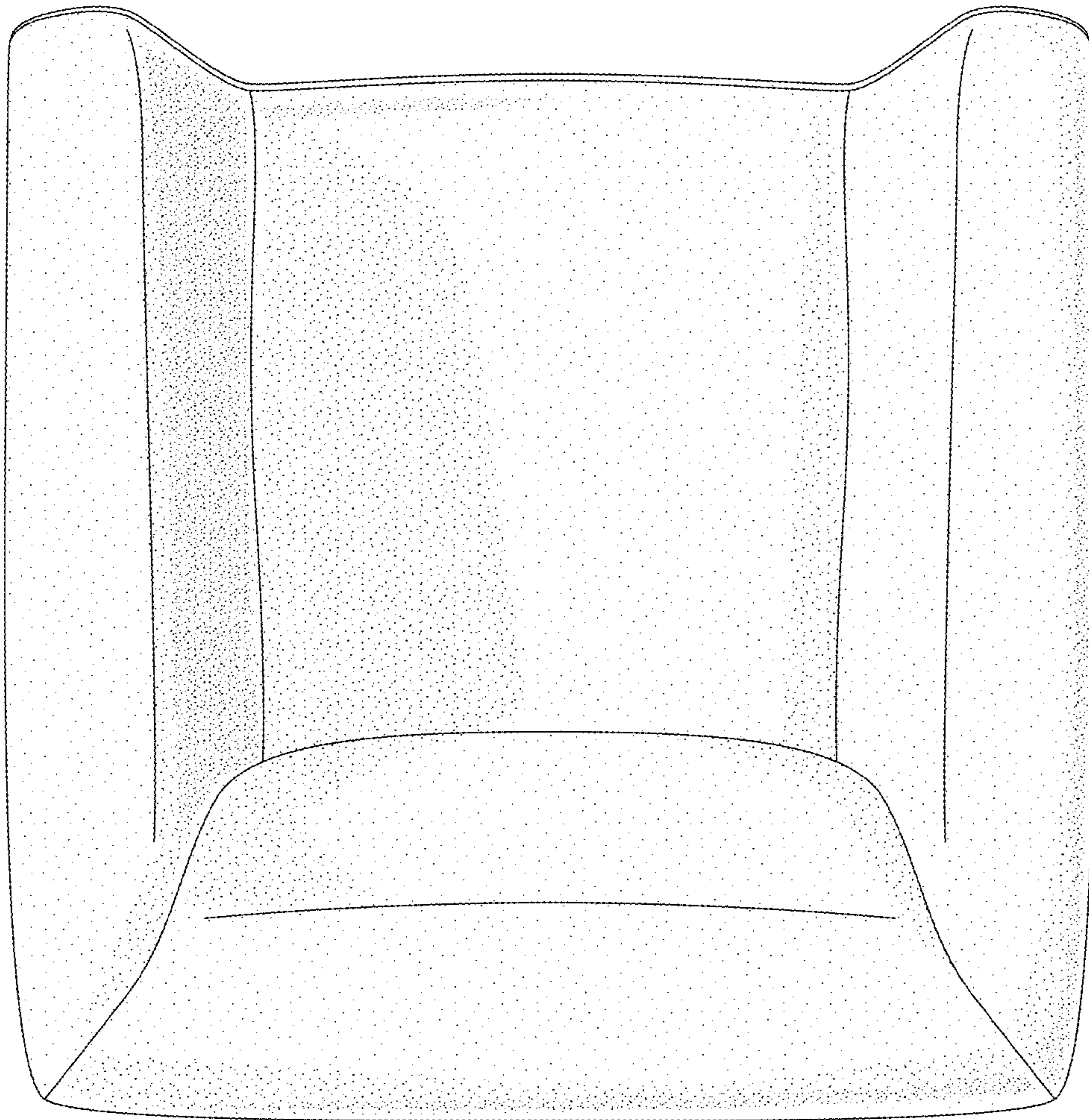


Fig. 6