



US00D785354S

(12) **United States Design Patent**  
**Lin**

(10) **Patent No.:** **US D785,354 S**  
(45) **Date of Patent:** **\*\* May 2, 2017**

(54) **FOLDABLE BENCH**

**DESCRIPTION**

- (71) Applicant: **Zhuhai Shichang Metals Ltd.**, Zhuhai (CN)
- (72) Inventor: **Wen-Sheng Lin**, Kaohsiung (TW)
- (73) Assignee: **Zhuhai Shichang Metals, Ltd.** (CN)
- (\*\*) Term: **15 Years**
- (21) Appl. No.: **29/541,705**
- (22) Filed: **Oct. 7, 2015**
- (51) **LOC (10) Cl.** ..... **06-01**
- (52) **U.S. Cl.**  
USPC ..... **D6/368; D6/370**
- (58) **Field of Classification Search**  
USPC ..... D6/334-336, 362, 368, 370, 376, 379,  
D6/380, 381, 716, 716.1, 716.2, 716.3,  
D6/716.4

FIG. 1 is a perspective view of the foldable bench in an unfolded configuration;  
 FIG. 2 is a close-up perspective view detailing a left end portion of the foldable bench in FIG. 1;  
 FIG. 3 is a front elevation view of the foldable bench in an unfolded configuration;  
 FIG. 4 is a rear elevation view of the foldable bench in an unfolded configuration;  
 FIG. 5 is a close-up front elevation view detailing a left end portion of the foldable bench in FIG. 3;  
 FIG. 6 is a close-up front elevation view detailing a right end portion of the foldable bench in FIG. 3;  
 FIG. 7 is a close-up front elevation view detailing a left end portion of the foldable bench in FIG. 4;  
 FIG. 8 is a close-up front elevation view detailing a right end portion of the foldable bench in FIG. 4;  
 FIG. 9 is a left side elevation view of the foldable bench in an unfolded configuration;  
 FIG. 10 is a right side elevation view of the foldable bench in an unfolded configuration;  
 FIG. 11 is a close-up left side elevation view detailing a portion of the foldable bench in FIG. 9;  
 FIG. 12 is a close-up right side elevation view detailing a portion of the foldable bench in FIG. 10;  
 FIG. 13 is a top plan view of the foldable bench in an unfolded configuration;  
 FIG. 14 is a bottom plan view of the foldable bench in an unfolded configuration;  
 FIG. 15 is a close-up top plan view detailing a left end portion of the foldable bench in FIG. 13;  
 FIG. 16 is a close-up top plan view detailing a right end portion of the foldable bench in FIG. 13;  
 FIG. 17 is a close-up bottom plan view detailing a left end portion of the foldable bench in FIG. 14;  
 FIG. 18 is a close-up bottom plan view detailing a right end portion of the foldable bench in FIG. 14;  
 FIG. 19 is a perspective view of the foldable bench in a folded configuration;  
 FIG. 20 is a close-up perspective view detailing a left end portion of the foldable bench in FIG. 19;  
 FIG. 21 is a close-up perspective view detailing a right end portion of the foldable bench in FIG. 19;

(Continued)

(56) **References Cited**

**U.S. PATENT DOCUMENTS**

- 417,819 A 12/1889 Gage
- 475,368 A 5/1892 Welch

(Continued)

**OTHER PUBLICATIONS**

[http://www.overstock.com/Home-Garden/Iron-Folding-Black-Slat-  
ted-Garden-Bench/3927305/product.html](http://www.overstock.com/Home-Garden/Iron-Folding-Black-Slat-<br/>ted-Garden-Bench/3927305/product.html).  
[http://www.overstock.com/Home-Garden/Cosco-SMARTFOLD-  
Outdoor-Folding-Bench/8213846/product.html](http://www.overstock.com/Home-Garden/Cosco-SMARTFOLD-<br/>Outdoor-Folding-Bench/8213846/product.html).

*Primary Examiner* — Mimoso De  
 (74) *Attorney, Agent, or Firm* — Luedeka Neely Group  
 PC

(57) **CLAIM**

The ornamental design for a foldable bench, as shown and described.

(Continued)

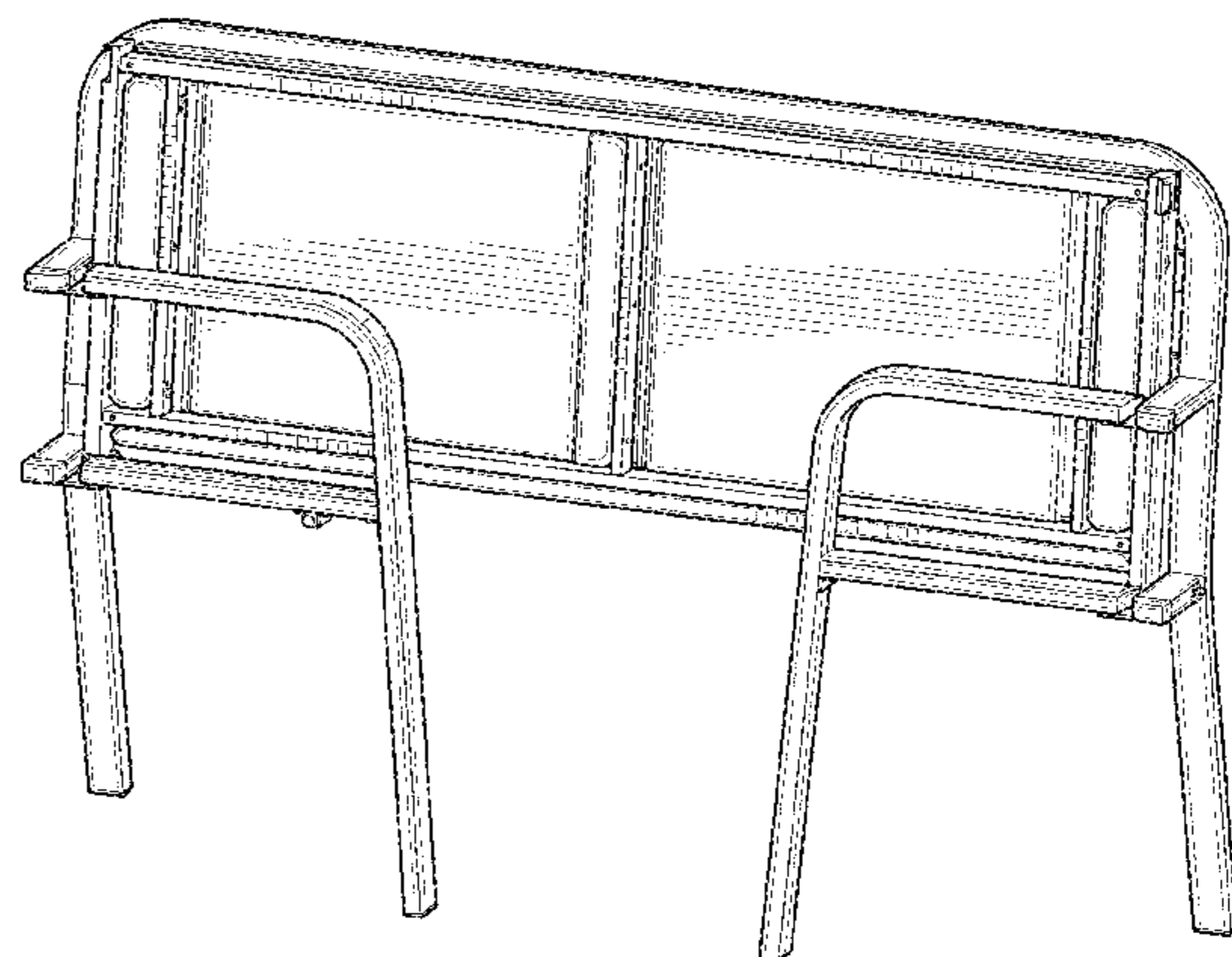
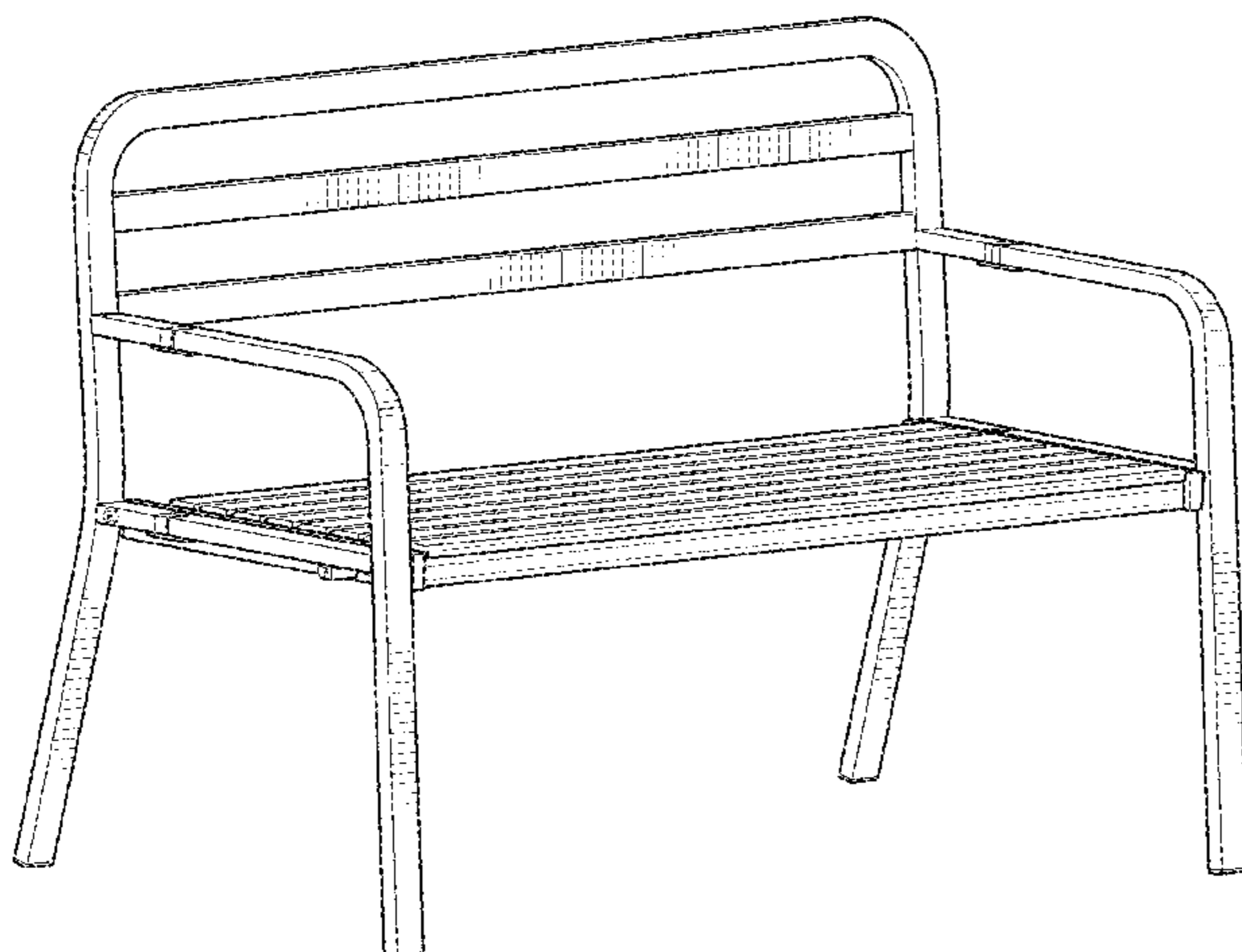


FIG. 22 is a front elevation view of the foldable bench in a folded configuration;  
 FIG. 23 is a right side elevation view of the foldable bench in a folded configuration;  
 FIG. 24 is a close-up front elevation view detailing a left end portion of the foldable bench in FIG. 22;  
 FIG. 25 is a close-up front elevation view detailing a right end portion of the foldable bench in FIG. 22; and,  
 FIG. 26 is a close-up right side elevation view detailing a portion of the foldable bench in FIG. 23.  
 The broken lines for illustrative purposes only and form no part of the claimed invention.

**1 Claim, 17 Drawing Sheets**

(58) **Field of Classification Search**

CPC .. A47C 11/00; A47C 4/00; A47C 4/02; A47C 4/03; A47C 4/045; A47C 4/10; A47C 4/18; A47C 4/22; A47C 7/16; A47C 7/22  
 See application file for complete search history.

(56)

**References Cited**

U.S. PATENT DOCUMENTS

1,146,358	A	7/1915	Slatter et al.	
1,163,263	A	12/1915	Rudduck	
1,198,509	A	9/1916	Anderson	
1,531,837	A *	3/1925	Boldin .....	A47C 4/10 297/53
3,890,814	A	6/1975	Fantoni	
4,179,143	A	12/1979	Shy	
4,597,599	A	7/1986	Bisbing	
4,699,406	A	10/1987	Swanson, Jr.	
5,593,192	A	1/1997	Stuchinsky	
5,819,670	A	10/1998	O'Connor et al.	
D651,820	S *	1/2012	Brown .....	D6/362
8,882,189	B2 *	11/2014	Voris .....	A47C 4/045 297/59
D721,239	S *	1/2015	Ma .....	D6/370
2014/0300144	A1	10/2014	Voris	

\* cited by examiner

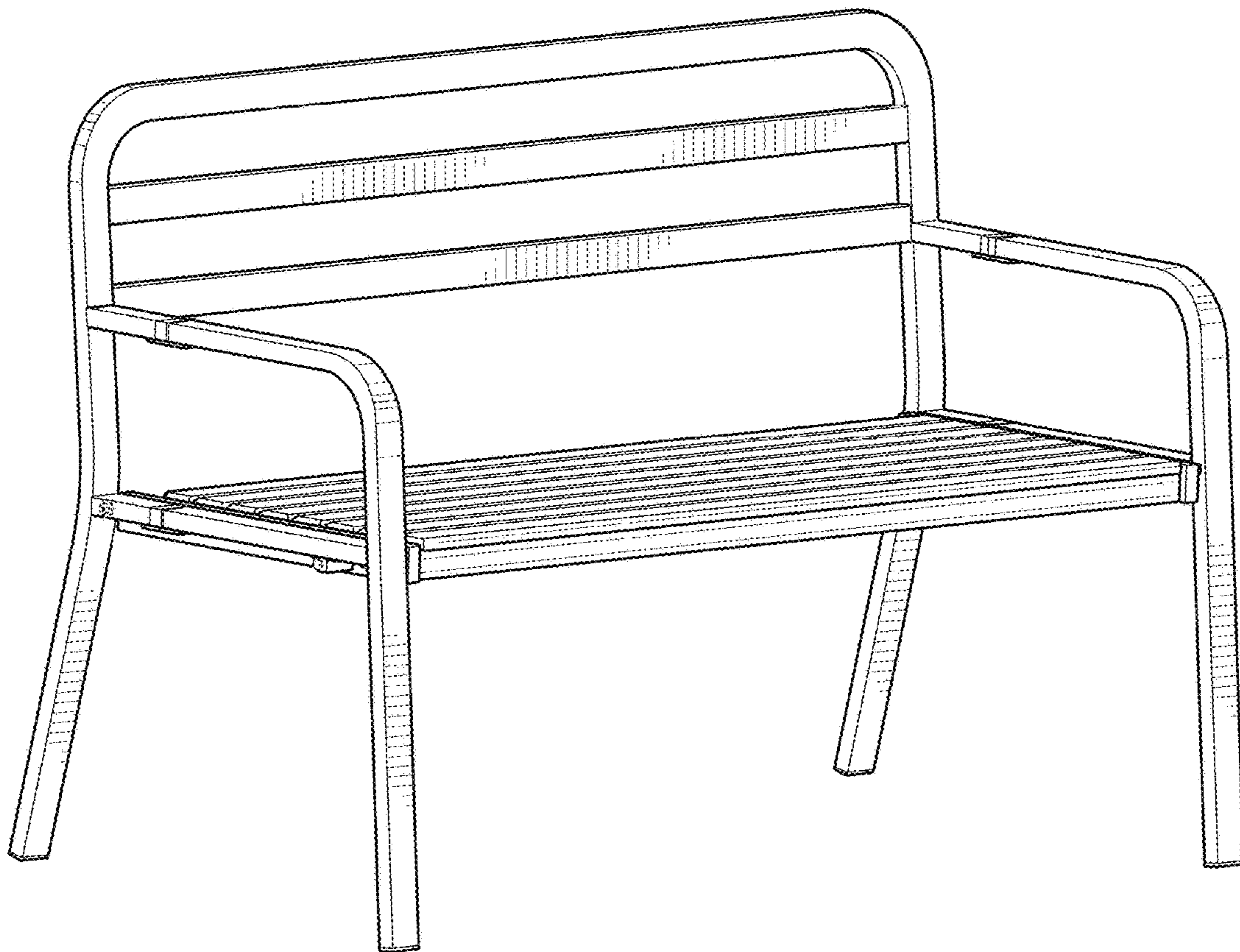


FIG. 1

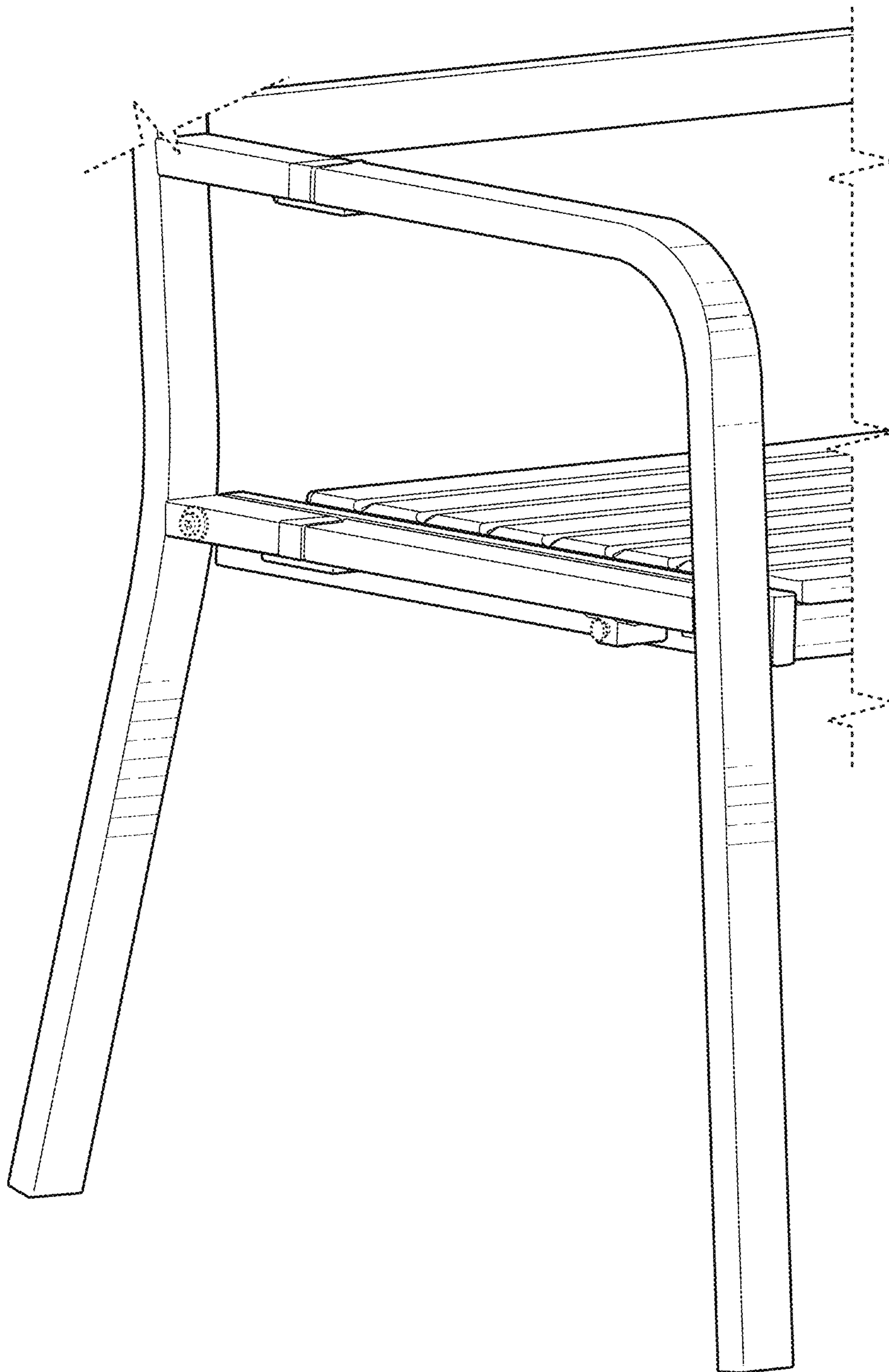


FIG. 2

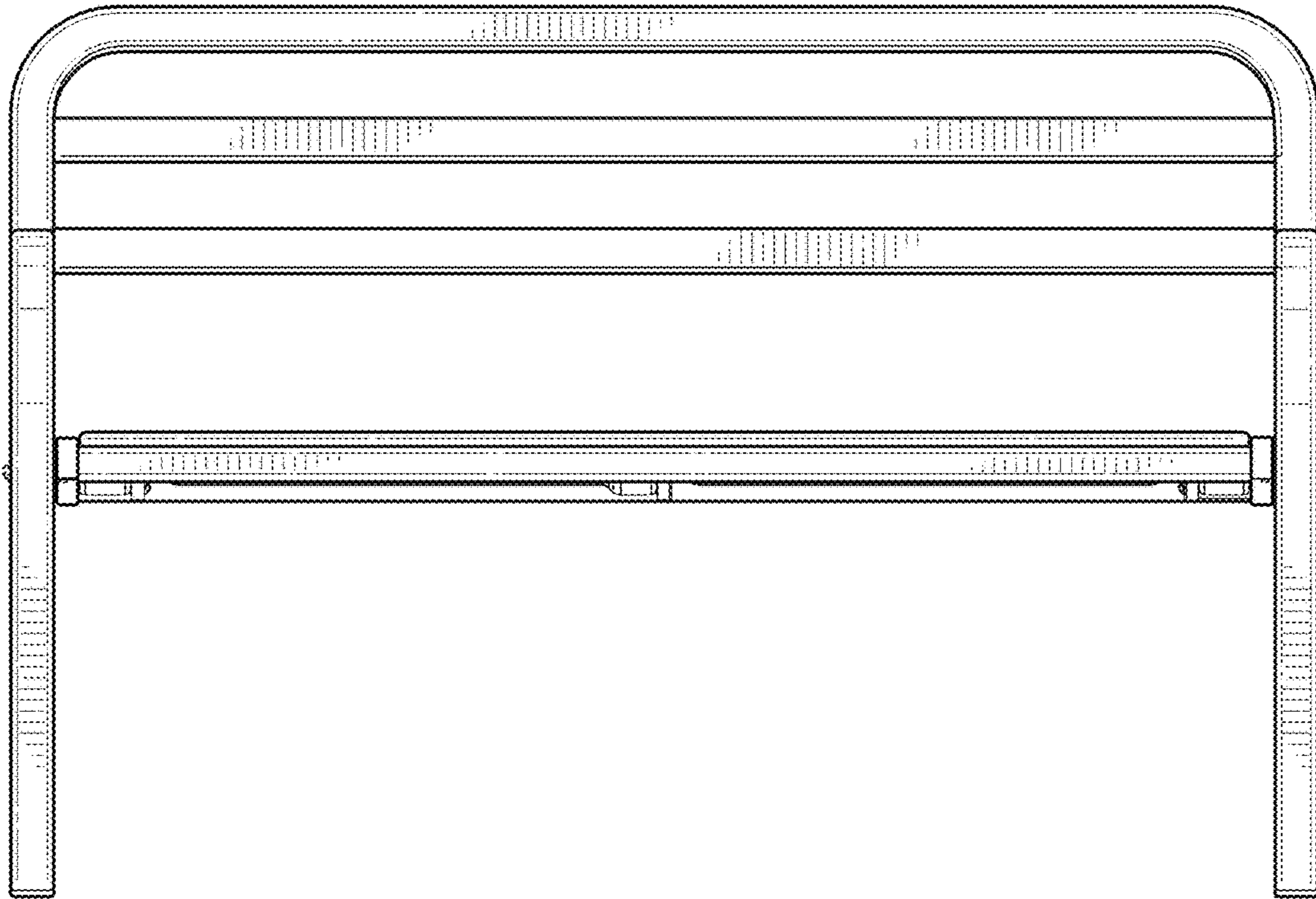


FIG. 3

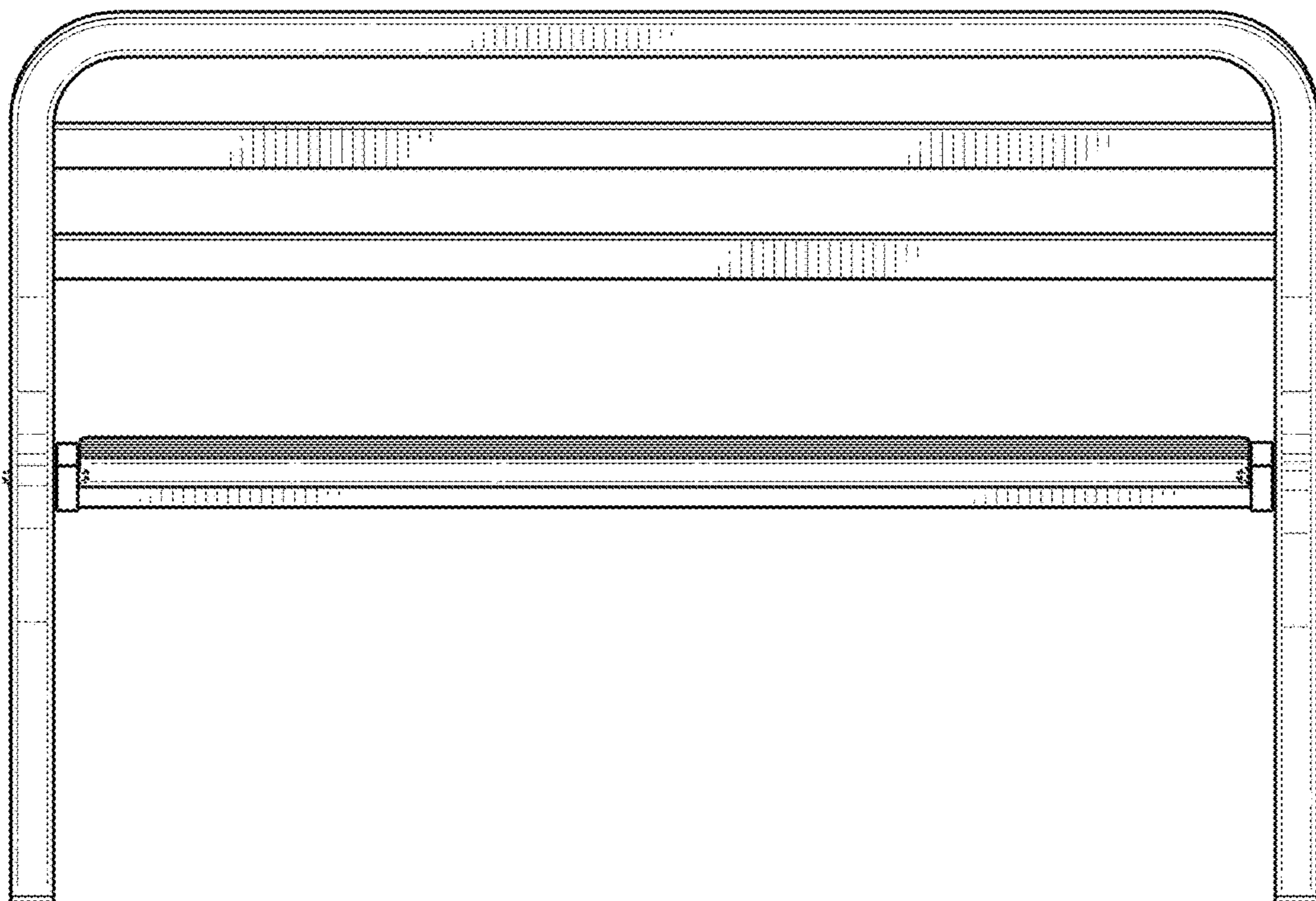


FIG. 4

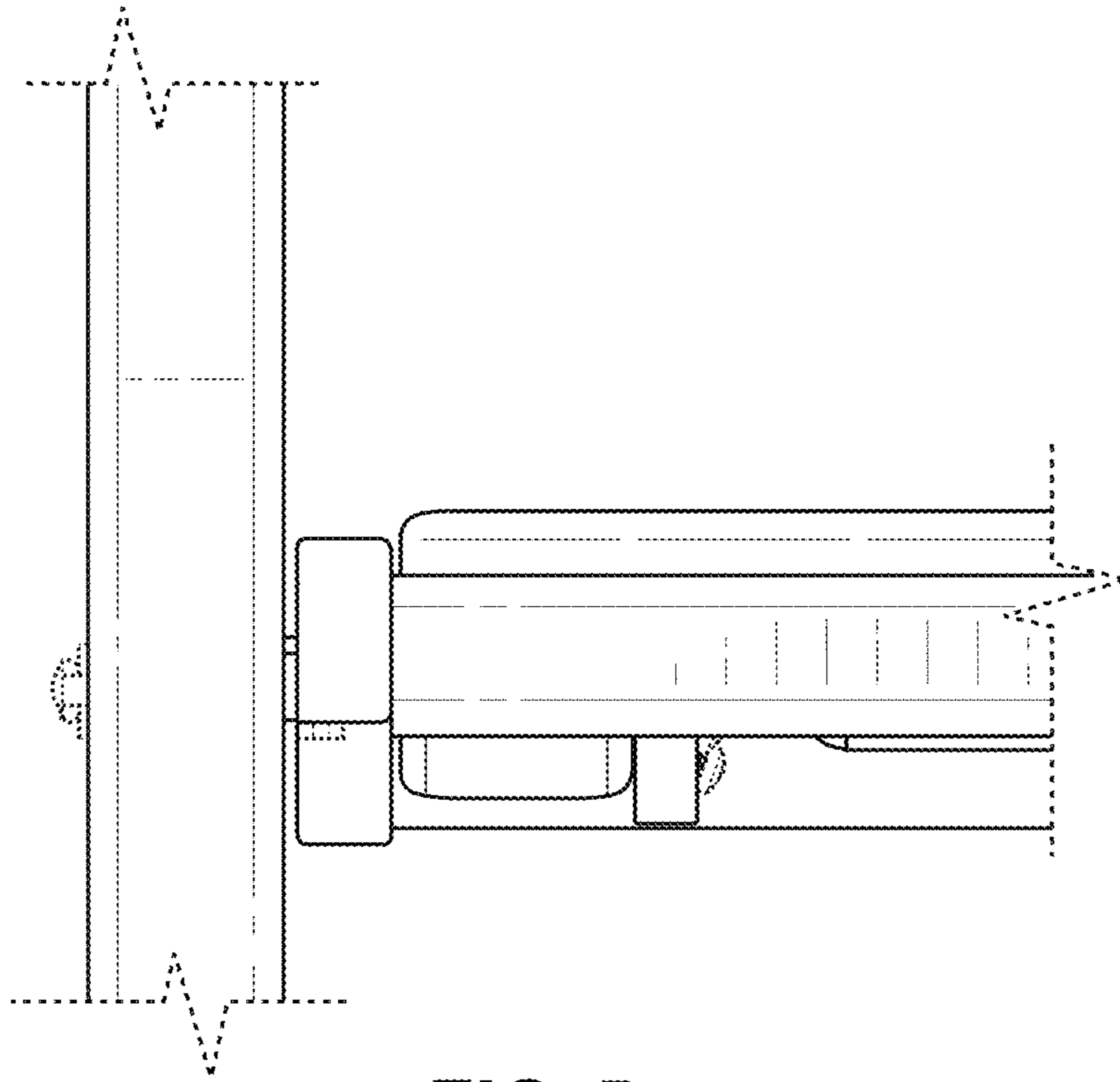


FIG. 5

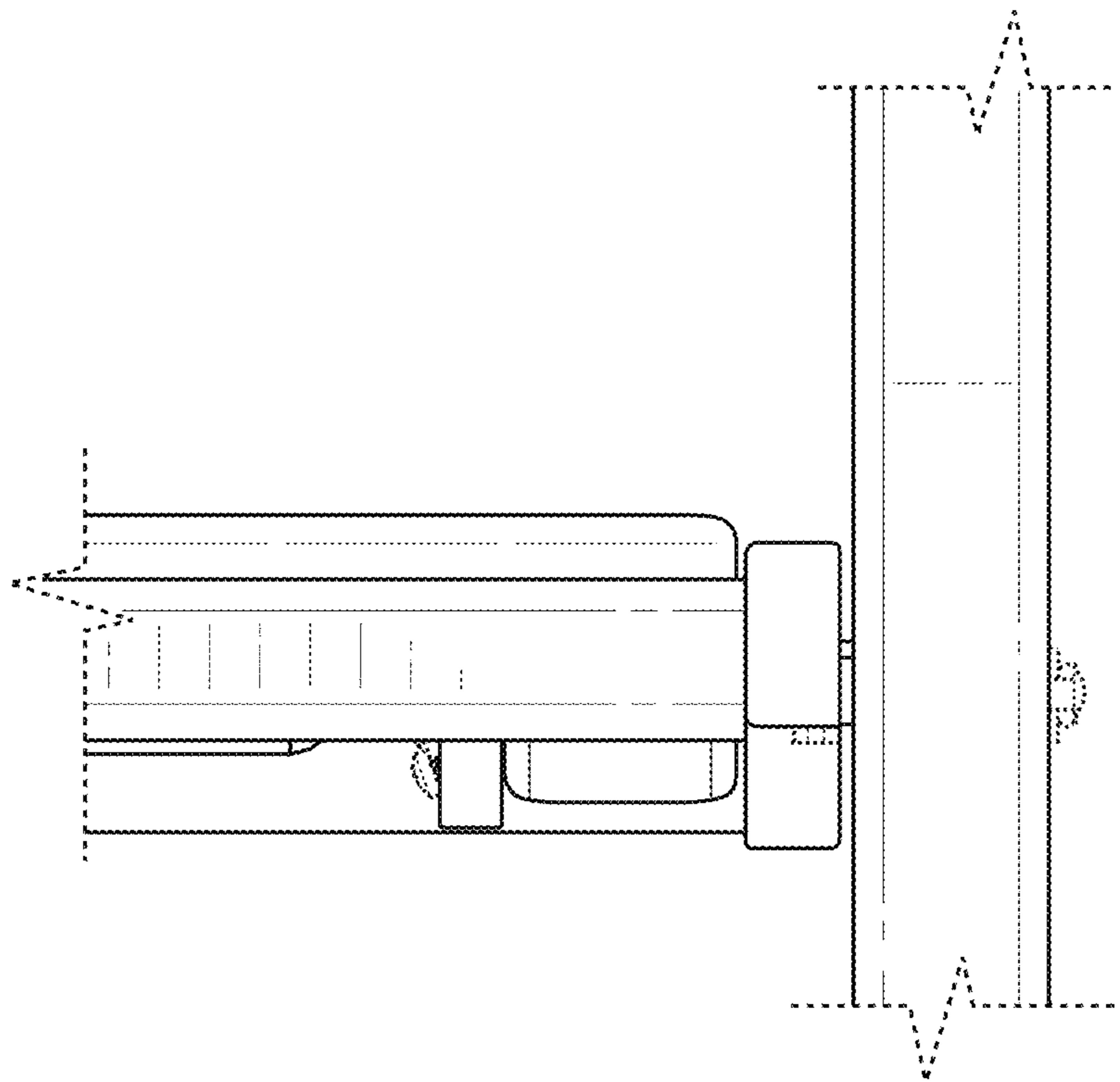
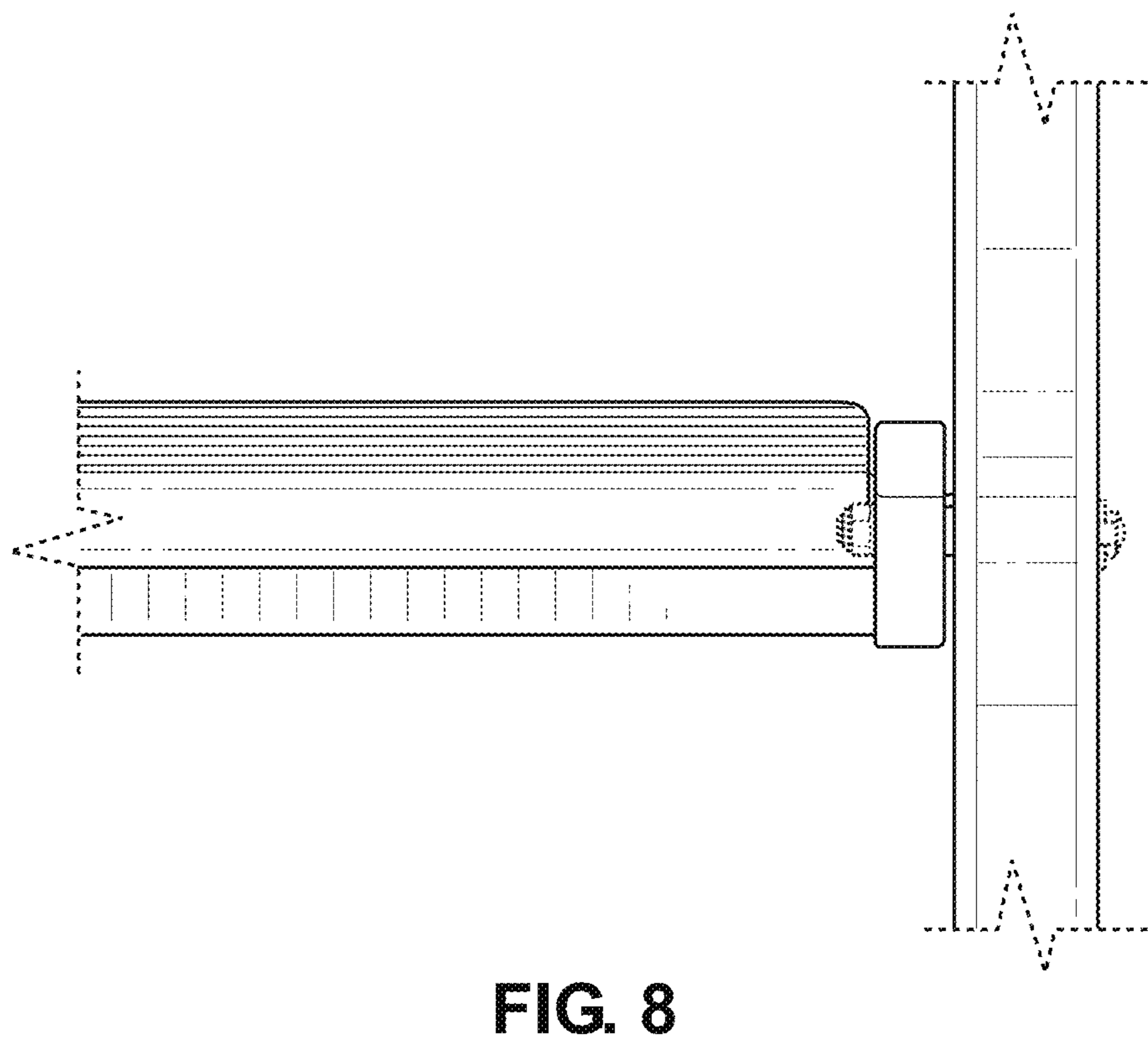
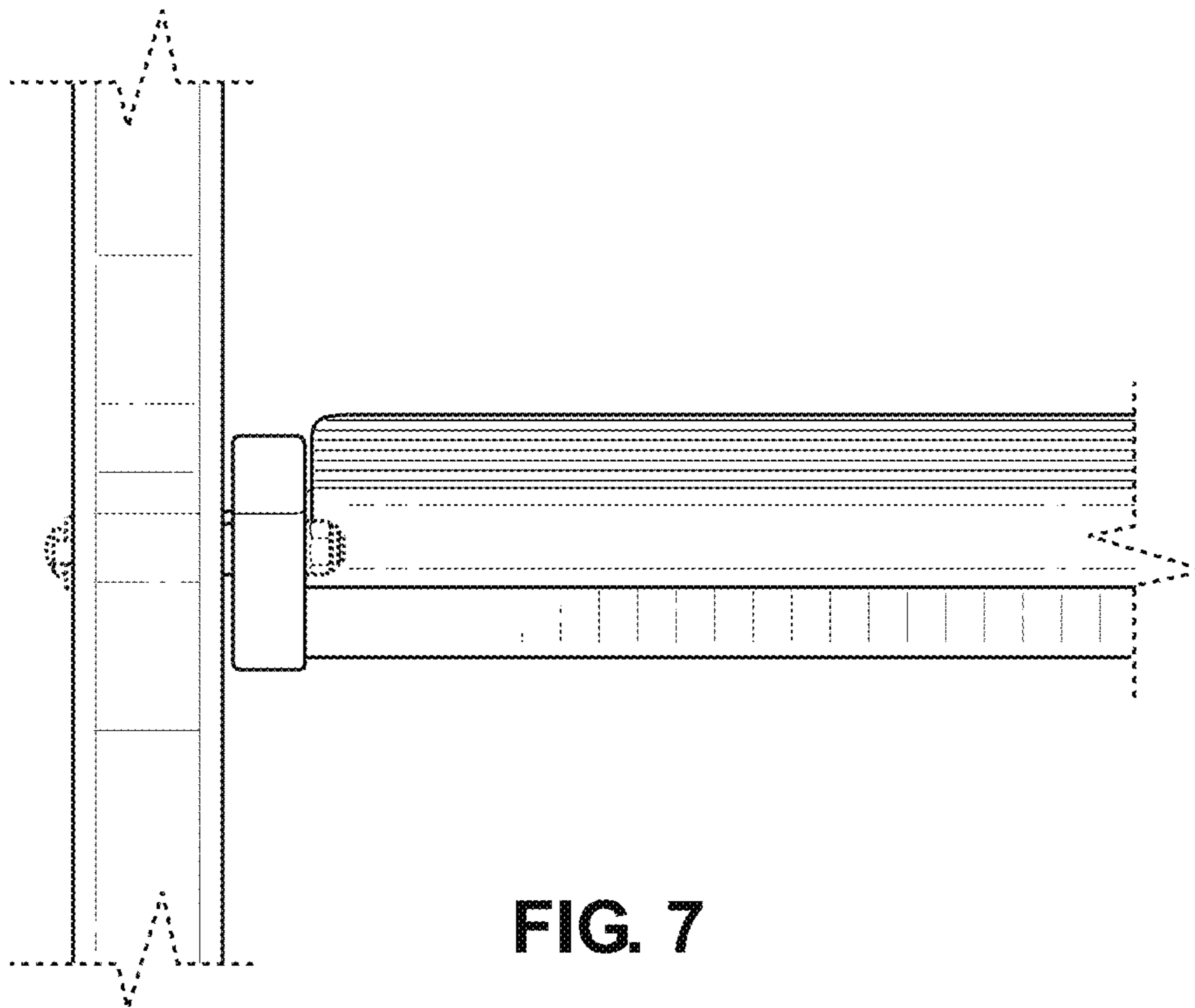
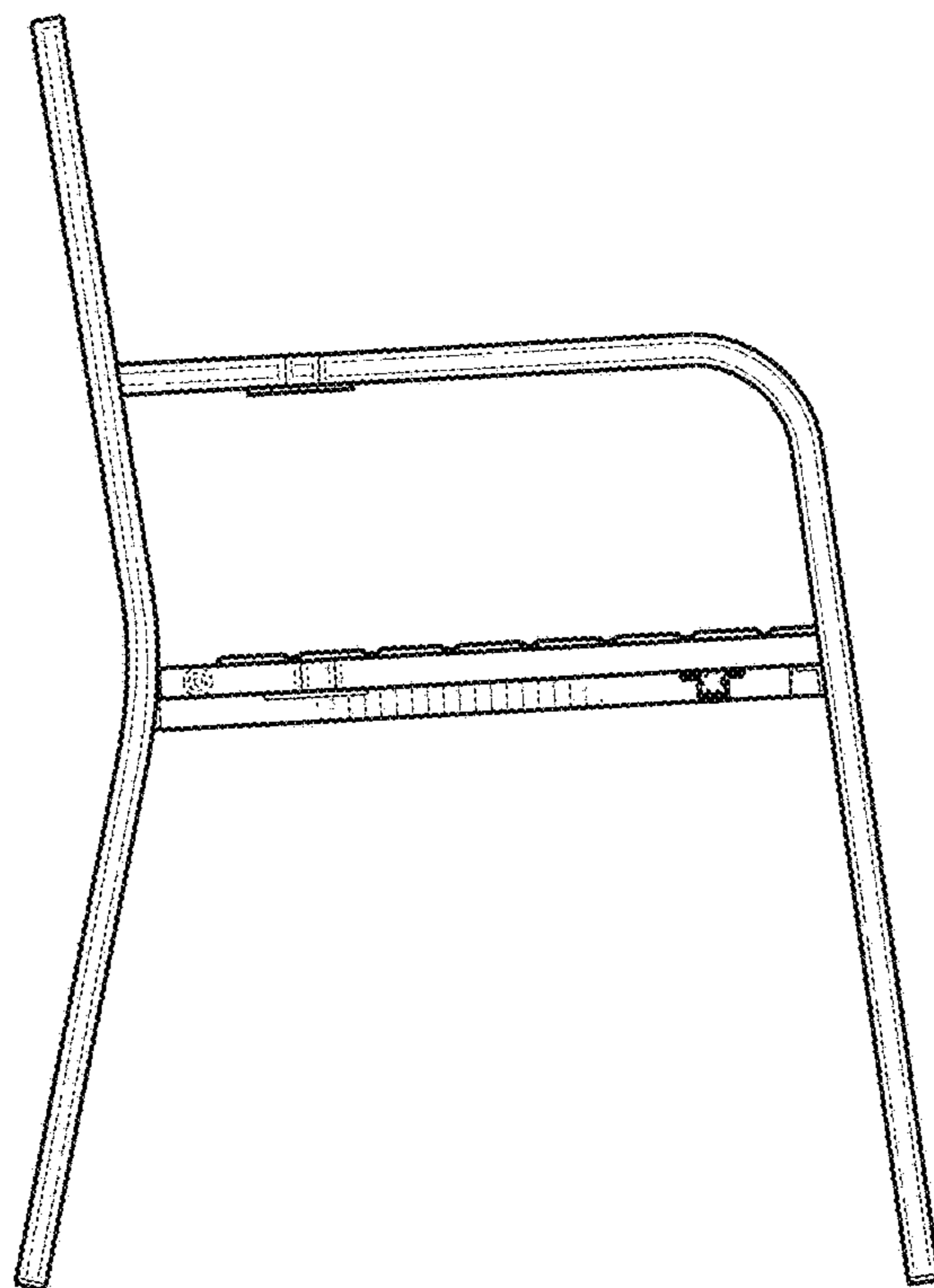
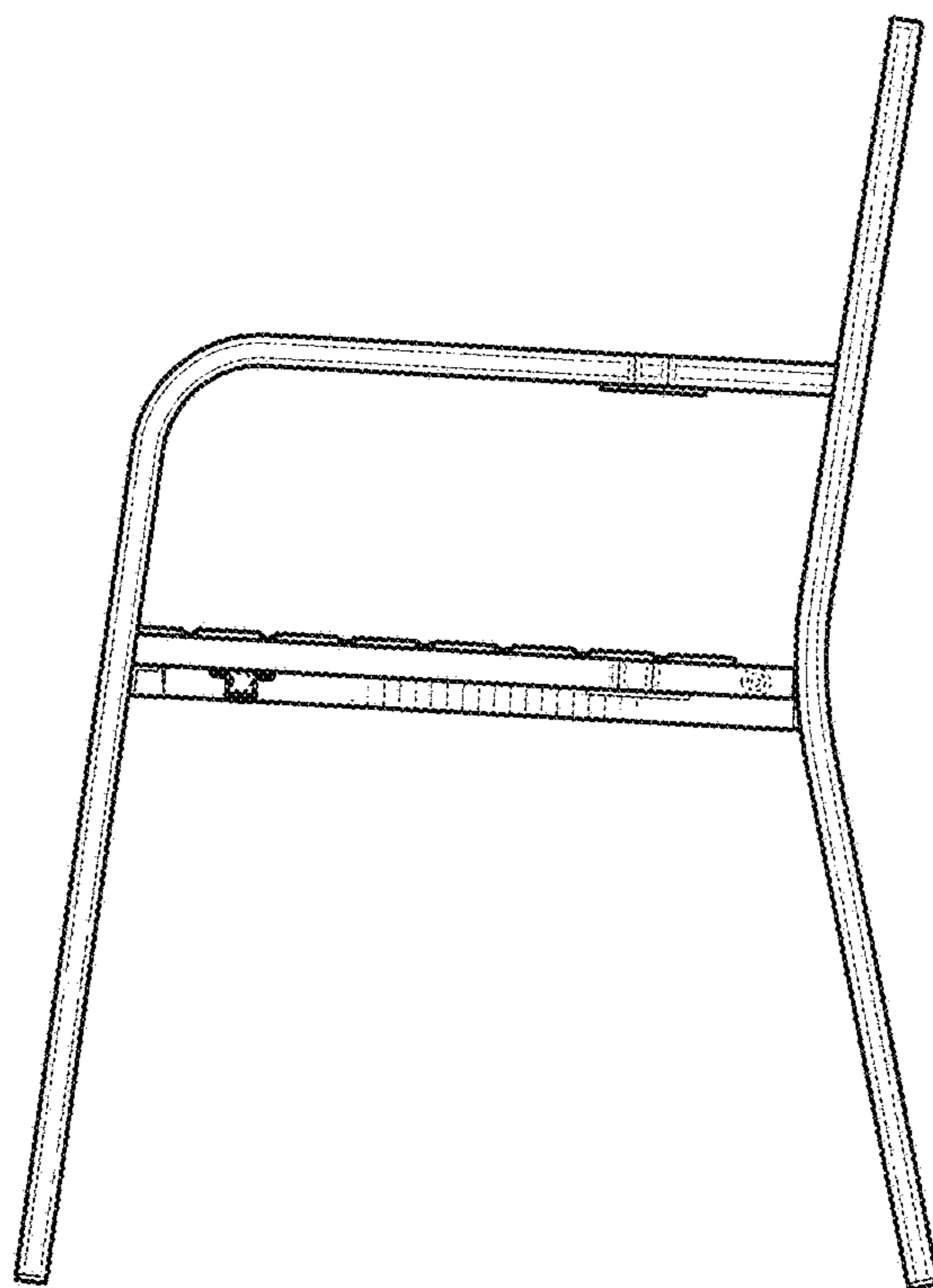


FIG. 6





**FIG. 9**



**FIG. 10**



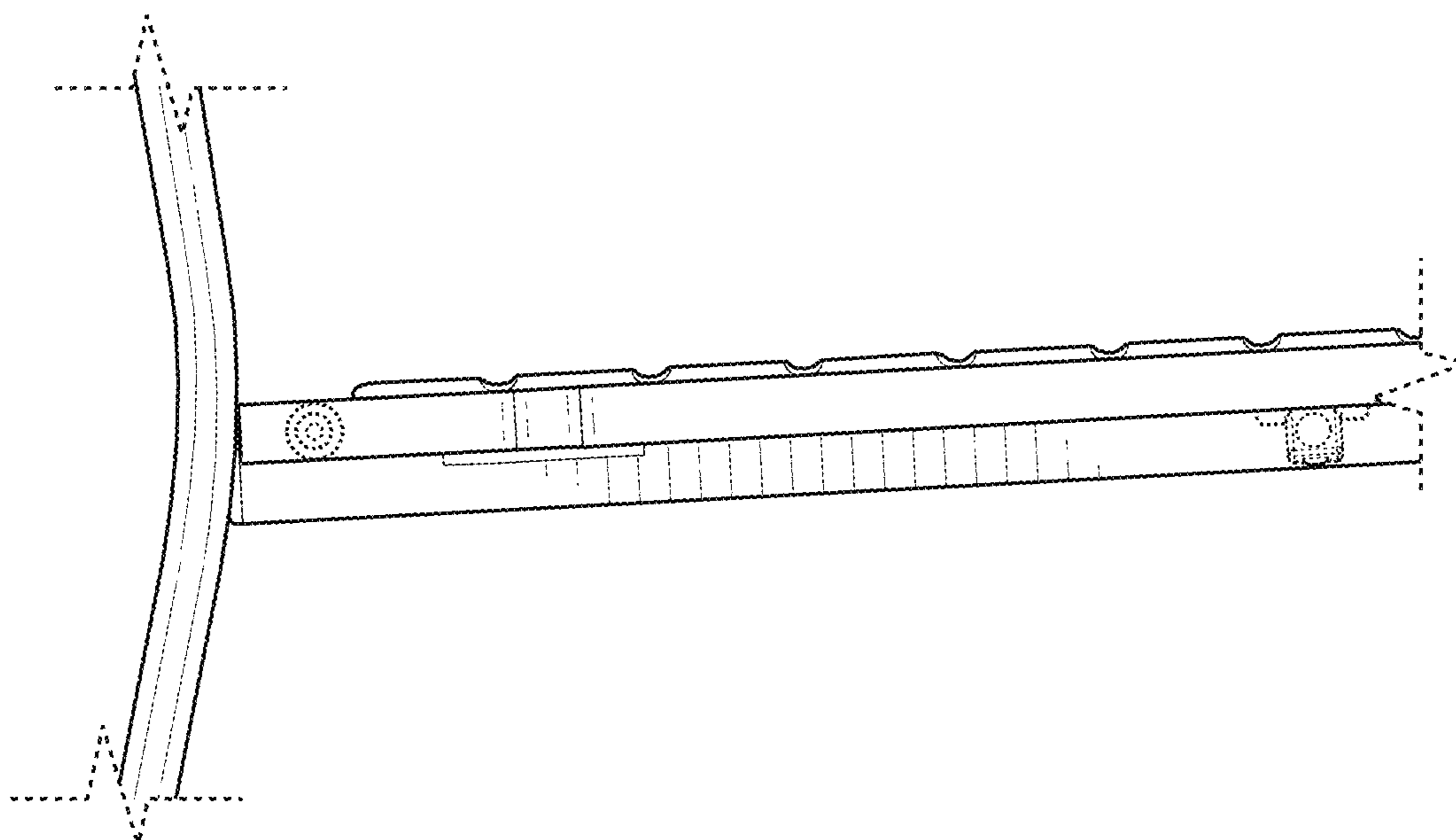


FIG. 11

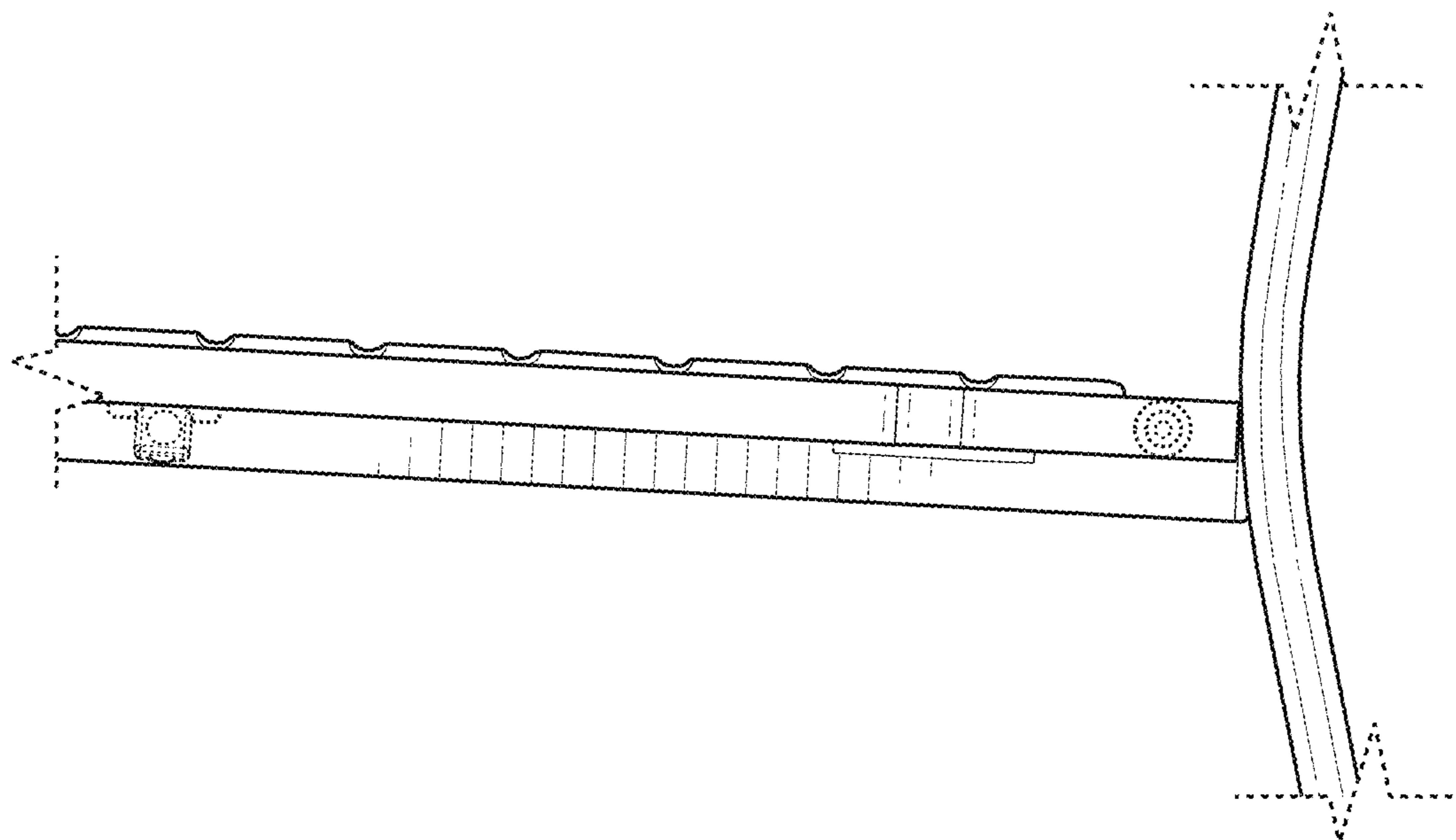


FIG. 12



FIG. 13

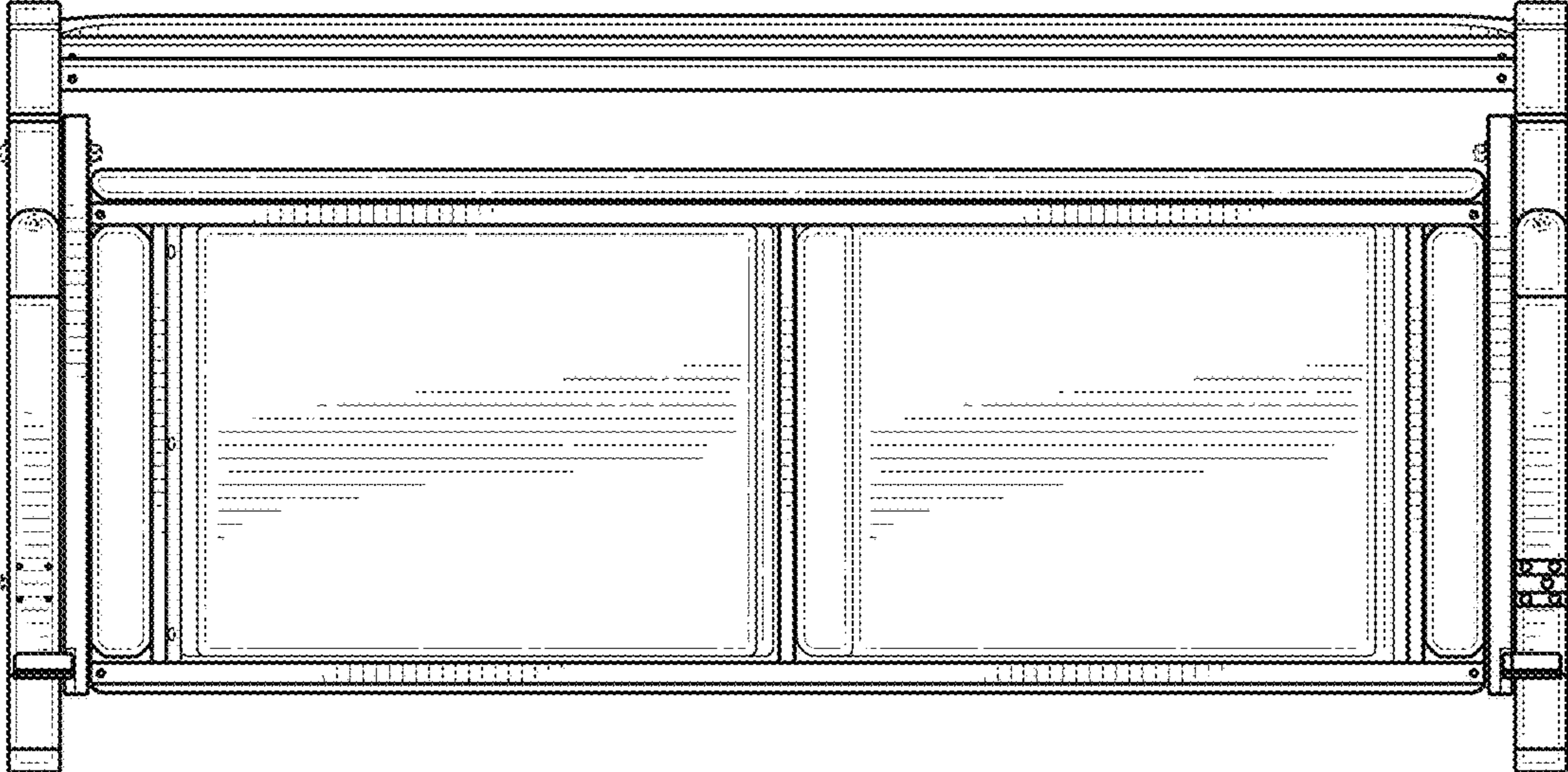


FIG. 14

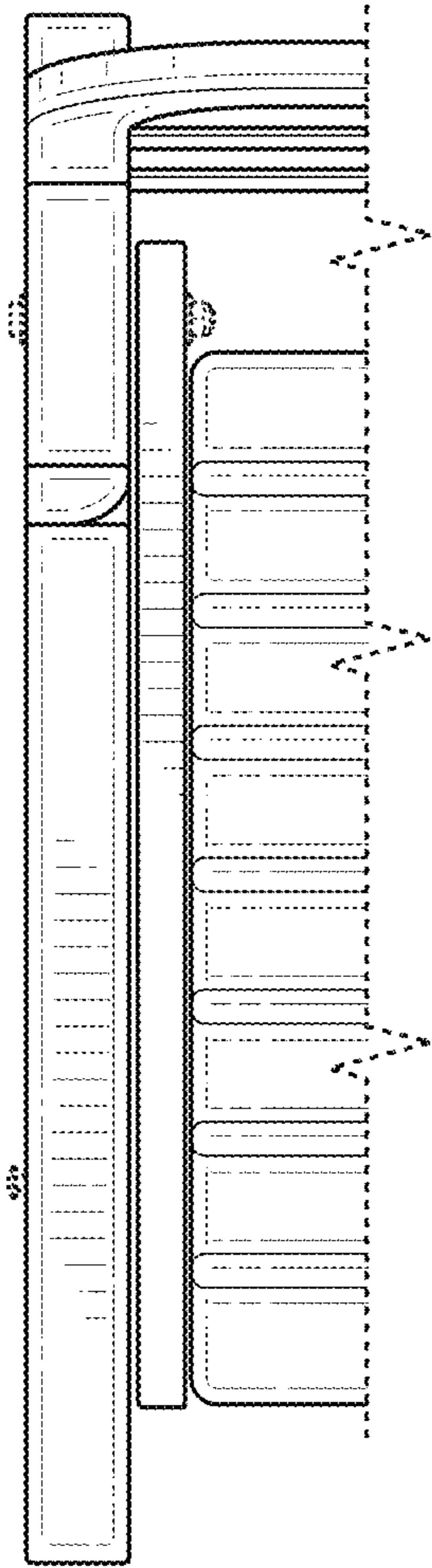


FIG. 15

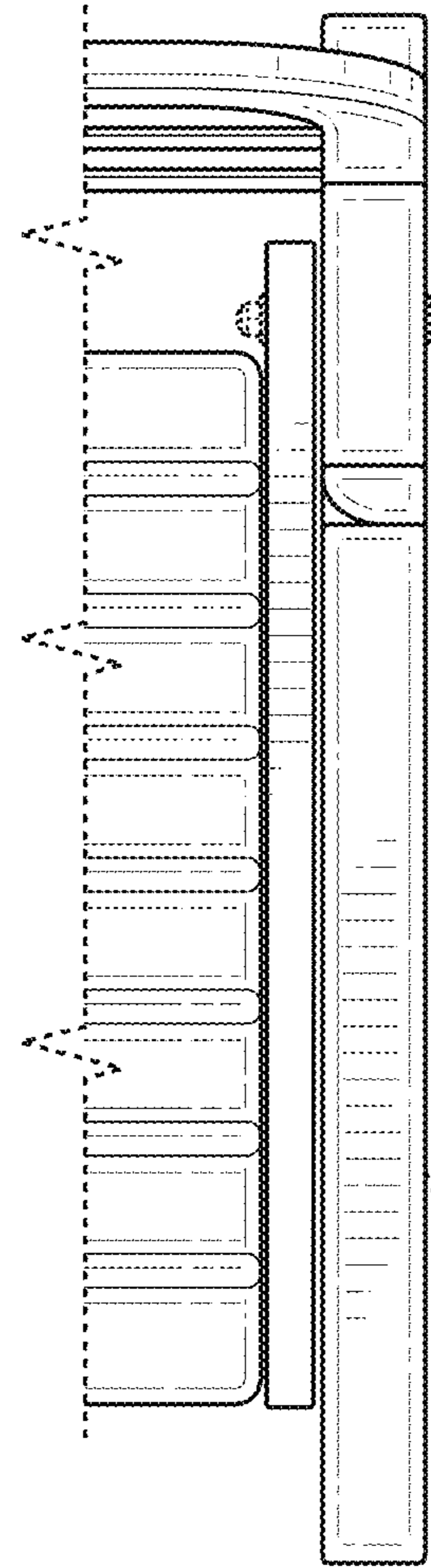


FIG. 16

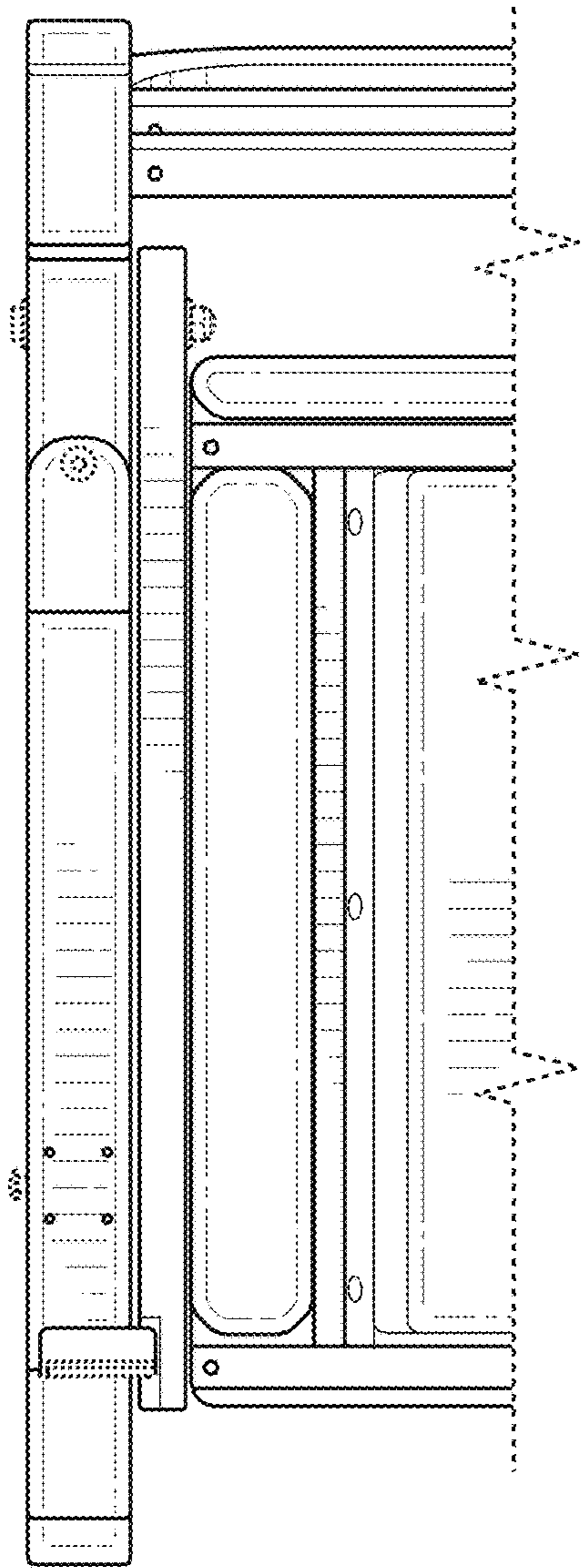


FIG. 17

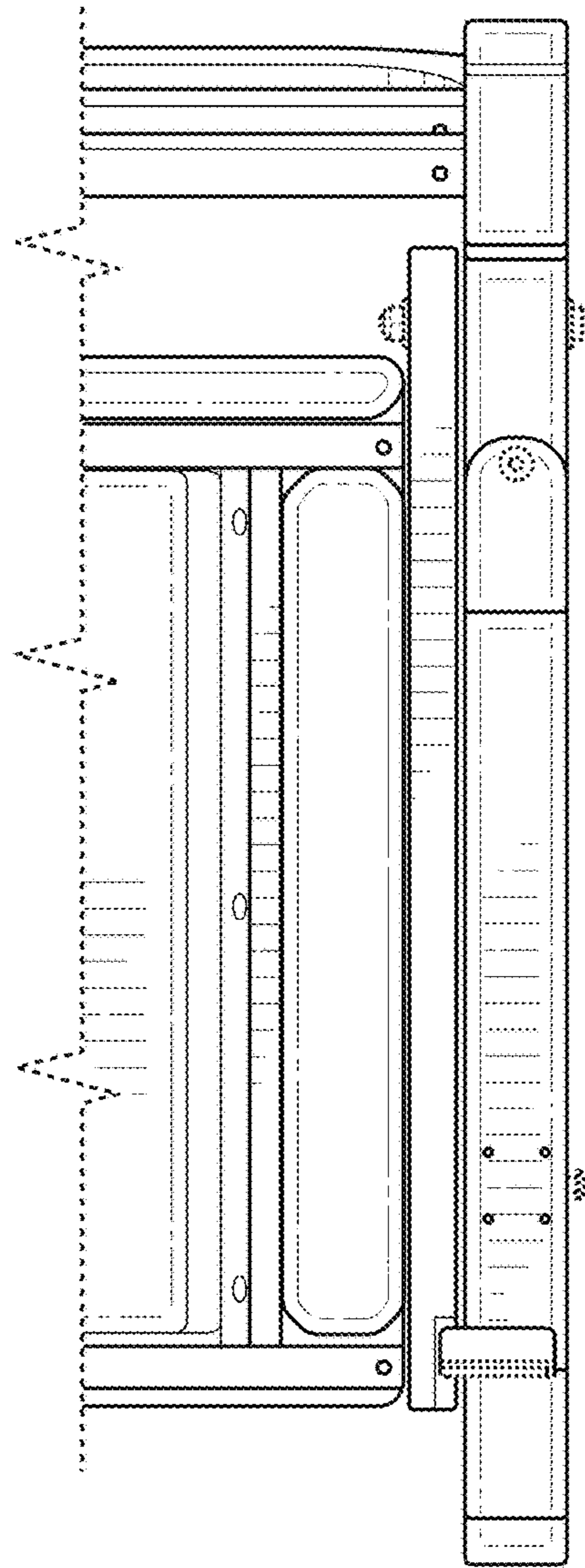
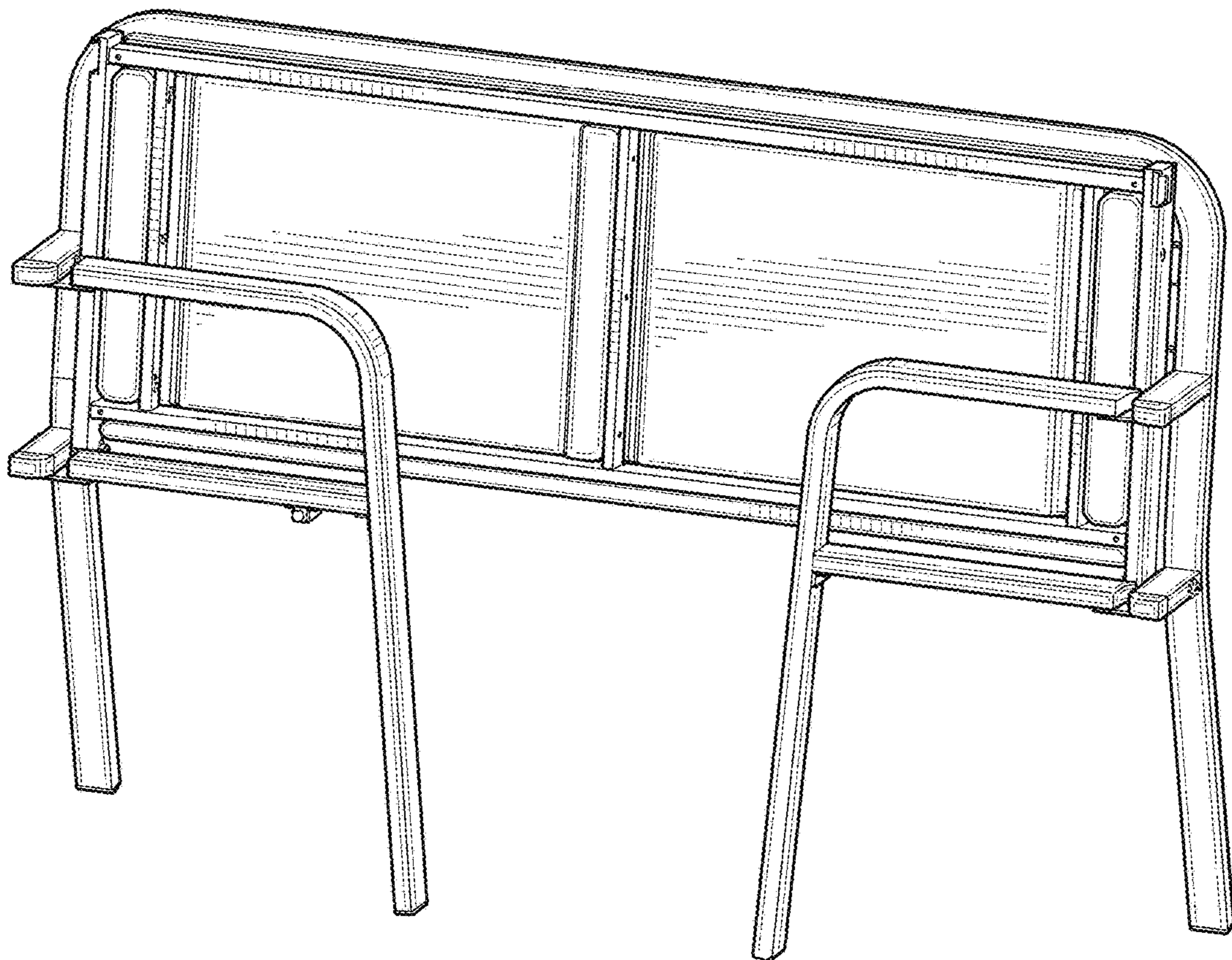


FIG. 18



**FIG. 19**

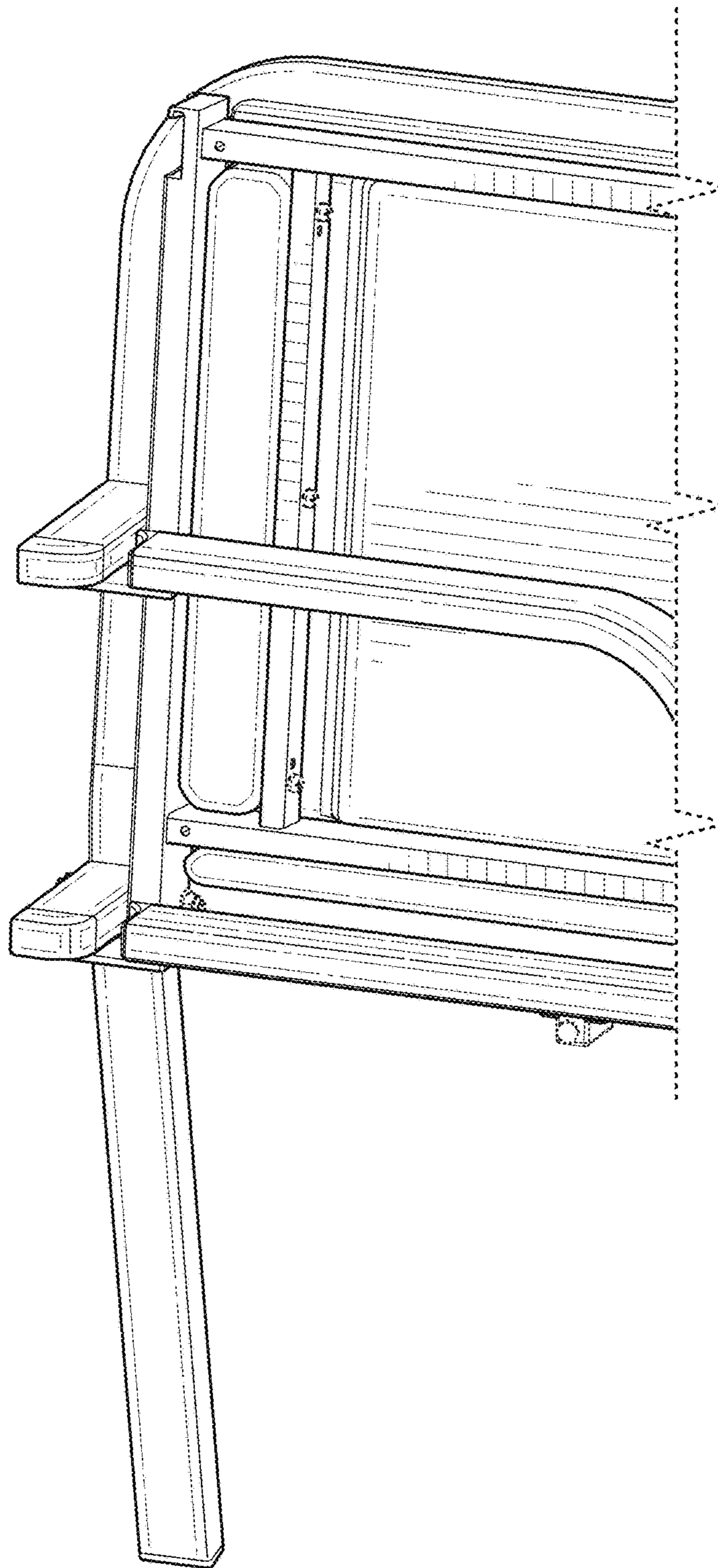


FIG. 20

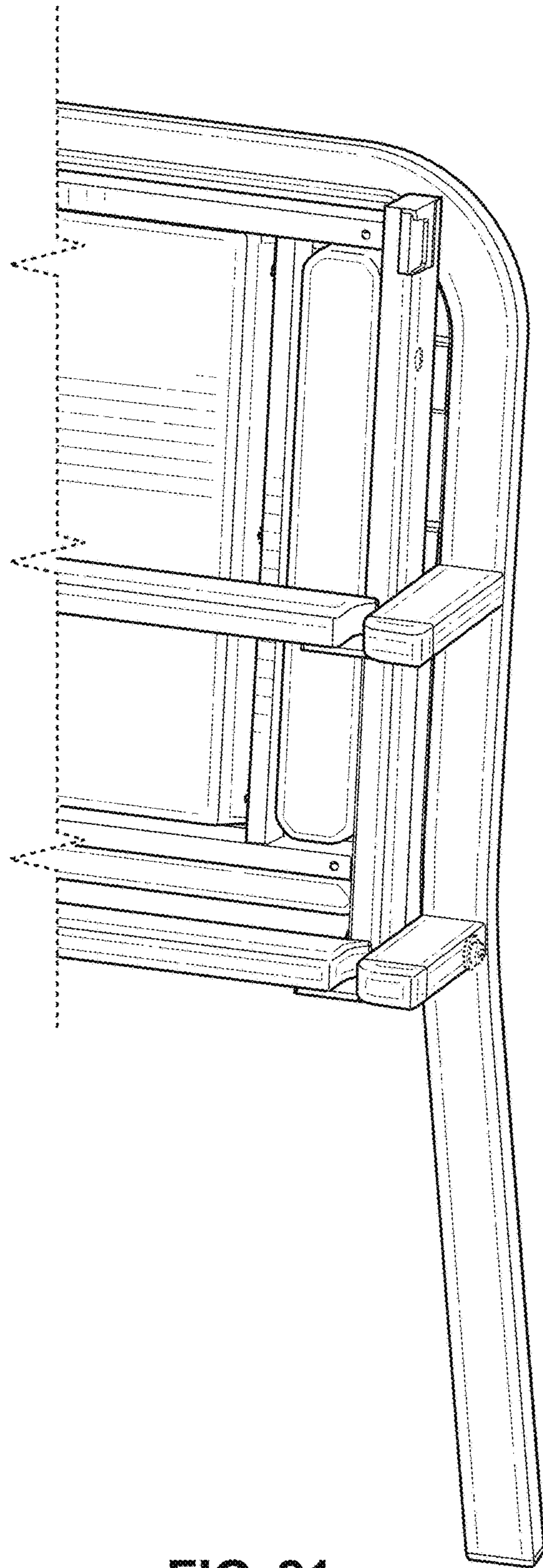


FIG. 21

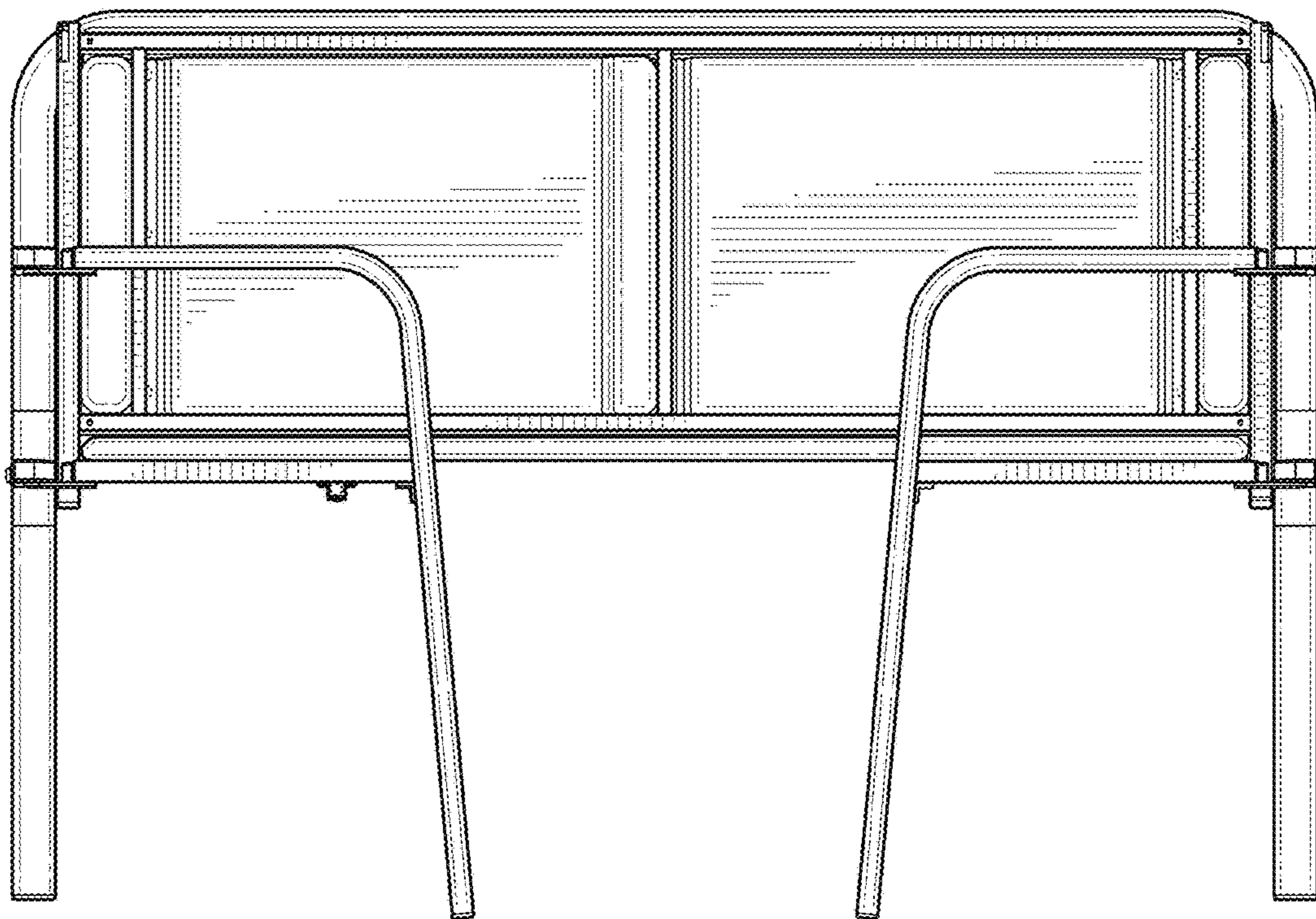


FIG. 22

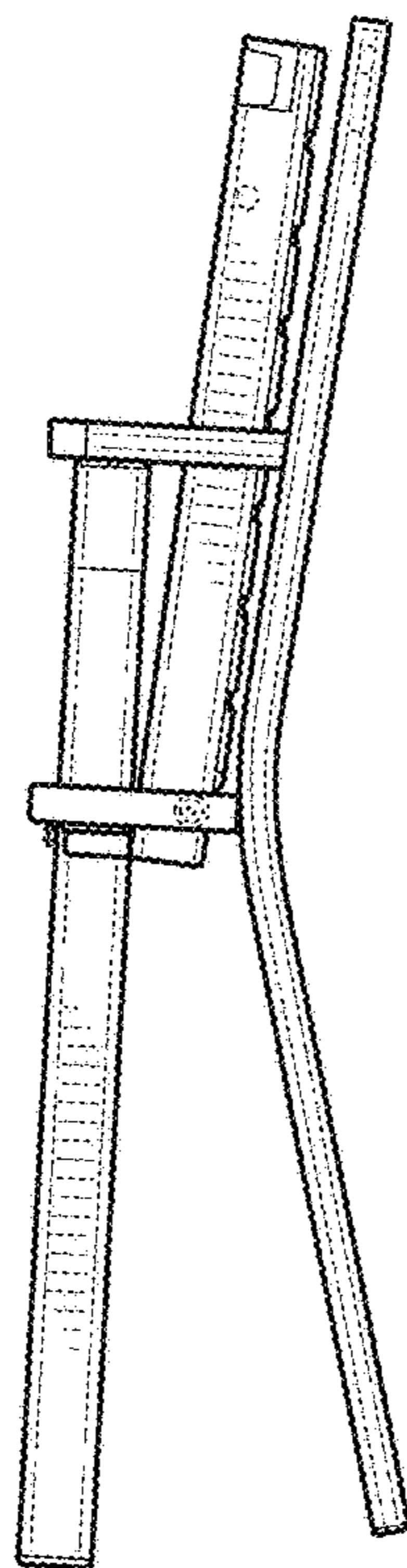


FIG. 23



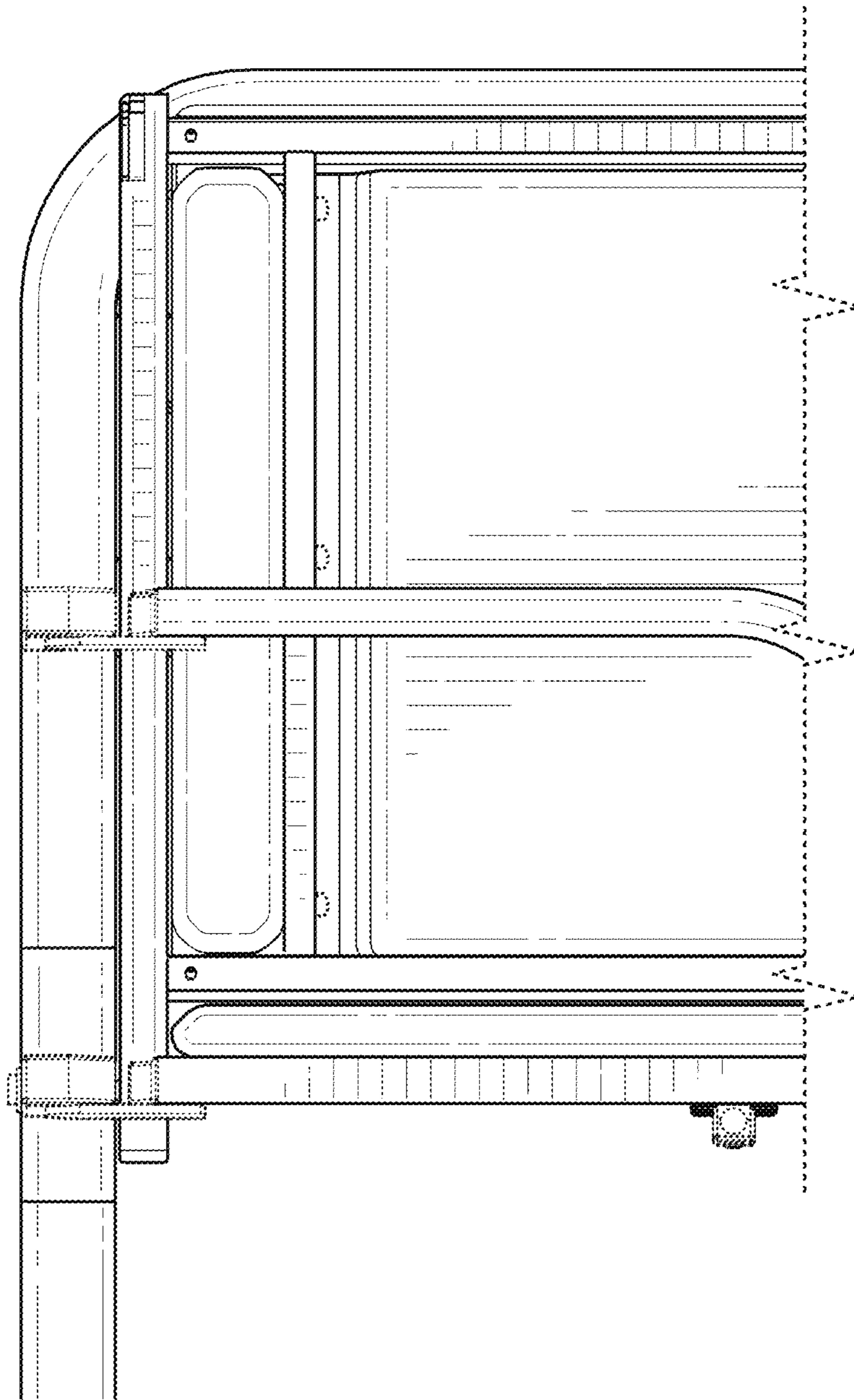


FIG. 24

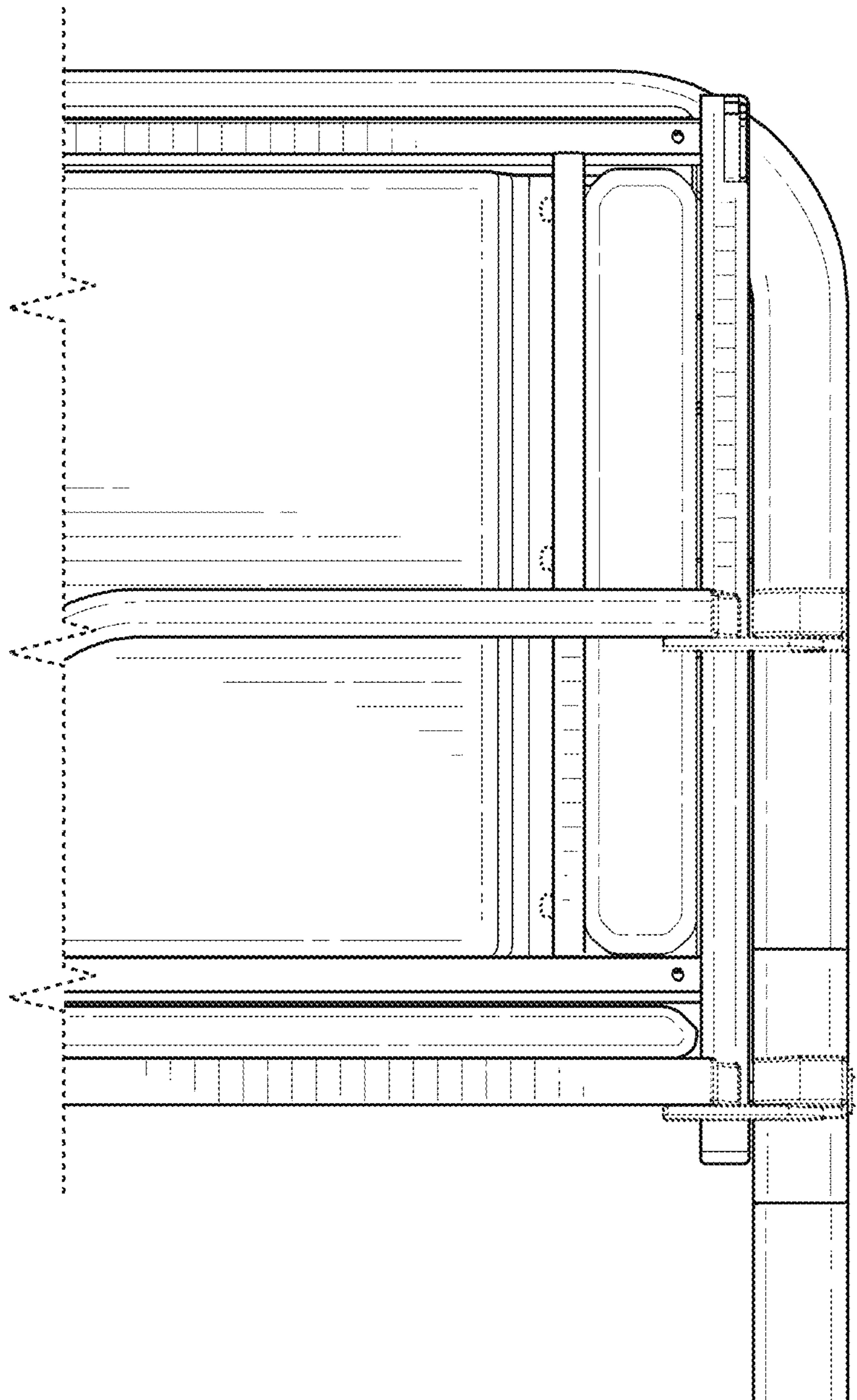


FIG. 25

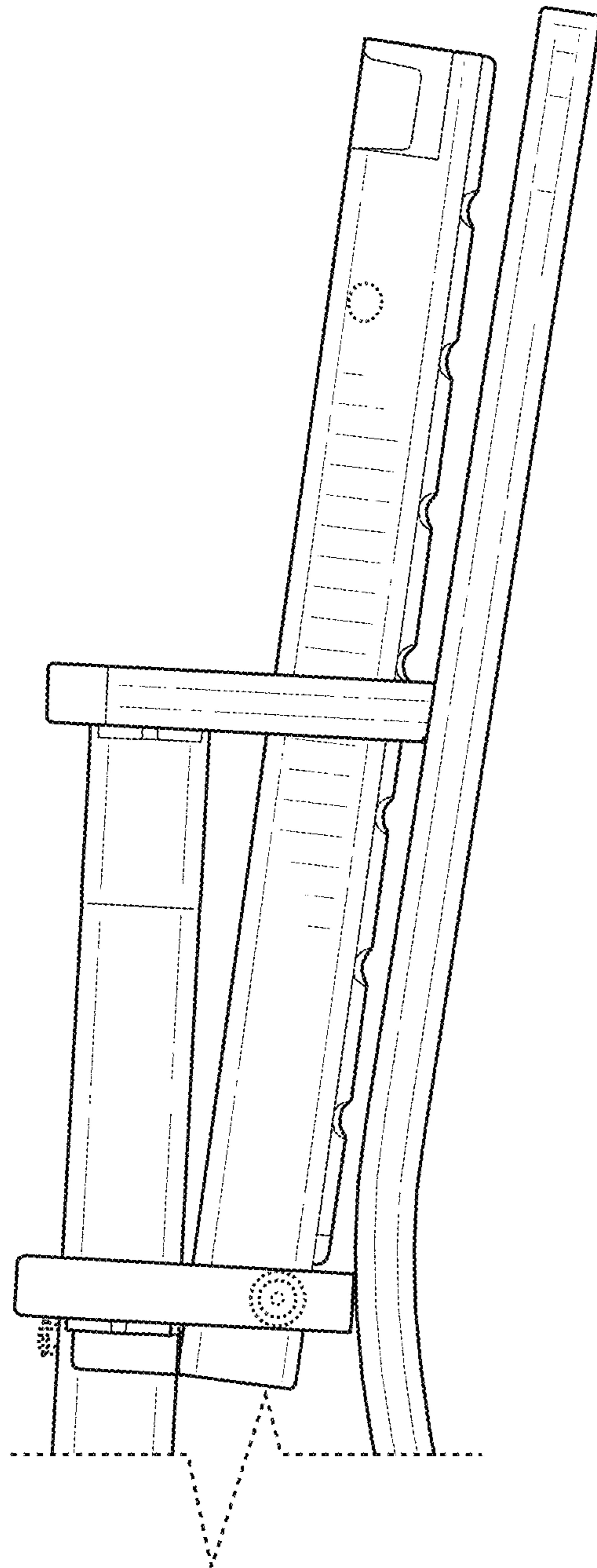


FIG. 26