



US00D785352S

(12) **United States Design Patent**
Holbrook

(10) **Patent No.:** **US D785,352 S**

(45) **Date of Patent:** **** May 2, 2017**

- (54) **STOOL**
- (71) Applicant: **Prospect Furniture LLC**, Pasadena, CA (US)
- (72) Inventor: **Richard Holbrook**, Pasadena, CA (US)
- (73) Assignee: **Prospect Furniture LLC**, Pasadena, CA (US)
- (**) Term: **15 Years**
- (21) Appl. No.: **29/583,246**

D366,772 S *	2/1996	Pasin	D6/349
6,102,475 A	8/2000	Hamann	
D440,415 S *	4/2001	Bellini	D6/349
D482,215 S *	11/2003	Chadwick	D6/692
D509,076 S	9/2005	Beck	
D579,677 S	11/2008	Zhou	
D586,573 S	2/2009	Saitou	
D594,677 S *	6/2009	Arkitekter	D6/692
D600,048 S *	9/2009	Weissenrieder	D6/692.4
D664,779 S	8/2012	Weber	
D668,464 S	10/2012	Du	
D690,948 S *	10/2013	Lievore	D6/352
D720,143 S *	12/2014	Barber	D6/349
D739,167 S *	9/2015	Barber	D6/692

(Continued)

- (22) Filed: **Nov. 3, 2016**
- (51) **LOC (10) Cl.** **06-01**
- (52) **U.S. Cl.**
USPC **D6/352**; D6/363
- (58) **Field of Classification Search**
USPC D6/334, 349-355, 363, 360, 368, 374,
D6/403, 405, 692-692.6, 685, 677, 677.5,
D6/708, 708.15-708.25; D25/62-65
CPC A47C 9/00-9/105; A47C 7/00-7/02; A47C
16/00-16/04; A47B 7/00-7/02; A47B
3/00; A47B 3/02; A47B 3/04; A47B 3/12
See application file for complete search history.

(56) **References Cited**

U.S. PATENT DOCUMENTS

1,374,716 A *	4/1921	Bloom	A47C 9/00 297/461
1,716,694 A	3/1927	Harter	
2,598,788 A	9/1949	Hamilton	
3,009,739 A	11/1961	Hamilton	
3,081,059 A	3/1963	Hastings	
3,520,506 A *	7/1970	Zahuranec	A47C 7/022 248/188
D285,872 S *	9/1986	Massonnet	D6/352
D312,010 S *	11/1990	Grosfillex	D6/692.6
D313,896 S	1/1991	Kaye	
D355,776 S *	2/1995	Good	D6/349

OTHER PUBLICATIONS

Product composition—three legged stool. [online] Published May 6, 2011. Retrieved Mar. 1, 2017 from URL: <http://forum.fourthirdsphoto.com/threads/65984%ADProduct%ADcomposition%ADthree%ADlegged%ADstool1/15>.*

(Continued)

Primary Examiner — Vy Koenig
(74) *Attorney, Agent, or Firm* — Todd R. Miller; Vested Law LLP

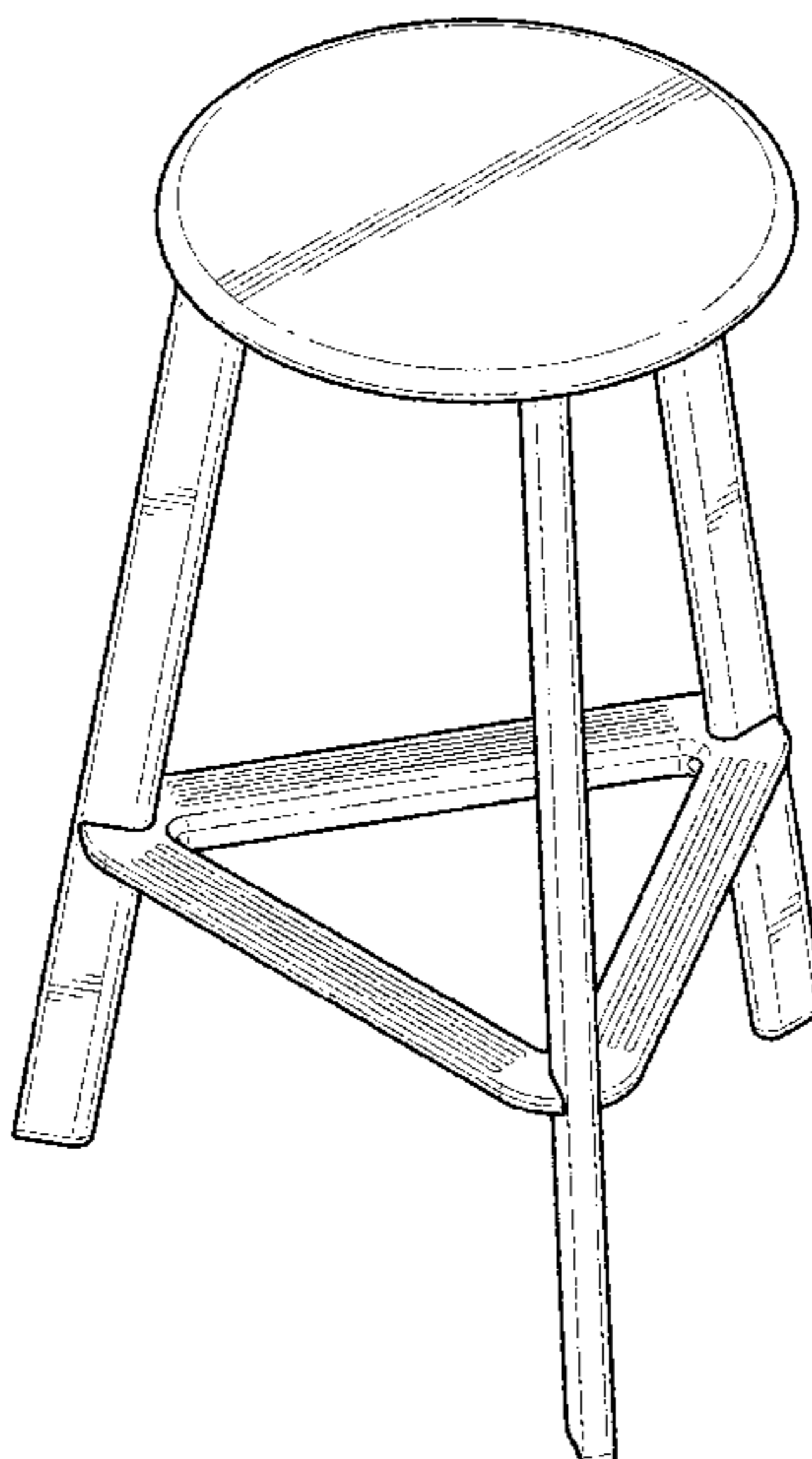
(57) **CLAIM**

The ornamental design for a stool, as shown and described.

DESCRIPTION

FIG. 1 is a perspective view embodying the inventive design;
FIG. 2 is a front view thereof;
FIG. 3 is a left view thereof;
FIG. 4 is a rear view thereof;
FIG. 5 is a top view thereof; and,
FIG. 6 is a bottom view thereof.

1 Claim, 5 Drawing Sheets



(56)

References Cited

U.S. PATENT DOCUMENTS

D746,073 S 12/2015 Elmaleh
2015/0076871 A1* 3/2015 Werner A47C 9/10
297/135

OTHER PUBLICATIONS

foter.com, Oct. 31, 2016, Internet printout: <http://foter.com/explore/aluminum-backless-bar-stools>.
ambientdirect.com, Oct. 31, 2016, Internet printout: https://www.ambientdirect.com/en/magis/deja-vu-stool-bar-stool_pid_507_709.html.
mattblatt.com.au, Oct. 31, 2016, Internet printout: http://www.mattblatt.com.au/Replica-Stools/Replica-Emeco-US-Navy-Round-Swivel-Stool-Aluminium-75cm_aspx?p4277c1.
panik-design.com, Oct. 31, 2016, Internet printout: <http://www.panik-design.com/acatalog/Magis-Aluminium-Stool-One-High-Bar-Stool-Set-of-2.html>.
hivemodern.com, Oct. 31, 2016, Internet printout: <http://hivemodern.com/page/product8773/mater-aluminum-high-stool-space>.
overstock.com, Oct. 31, 2016, Internet printout: <https://www.overstock.com/Home-Garden/Bar-Stools/White,color/2023/subcat.html>.

* cited by examiner

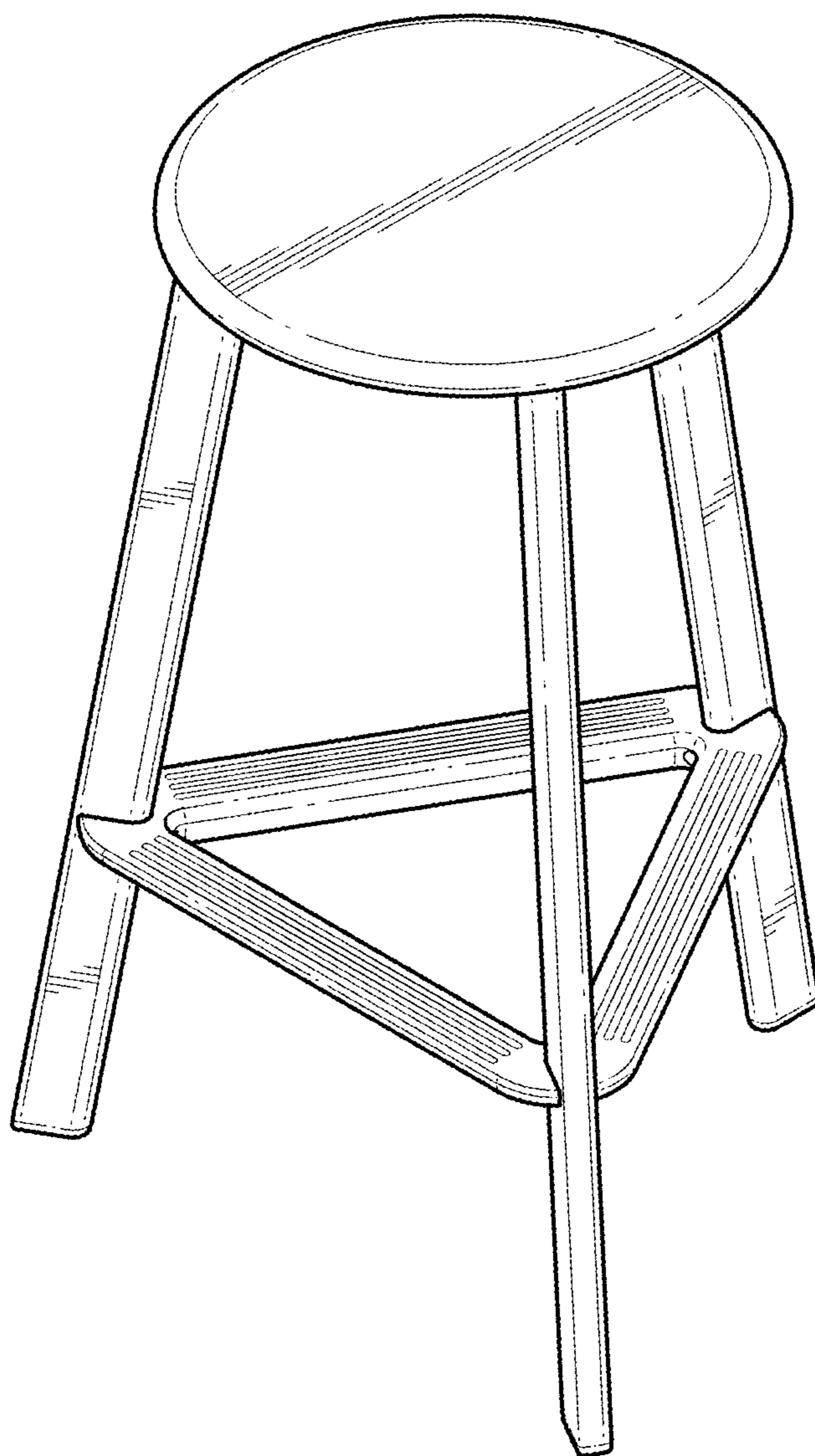


FIG. 1

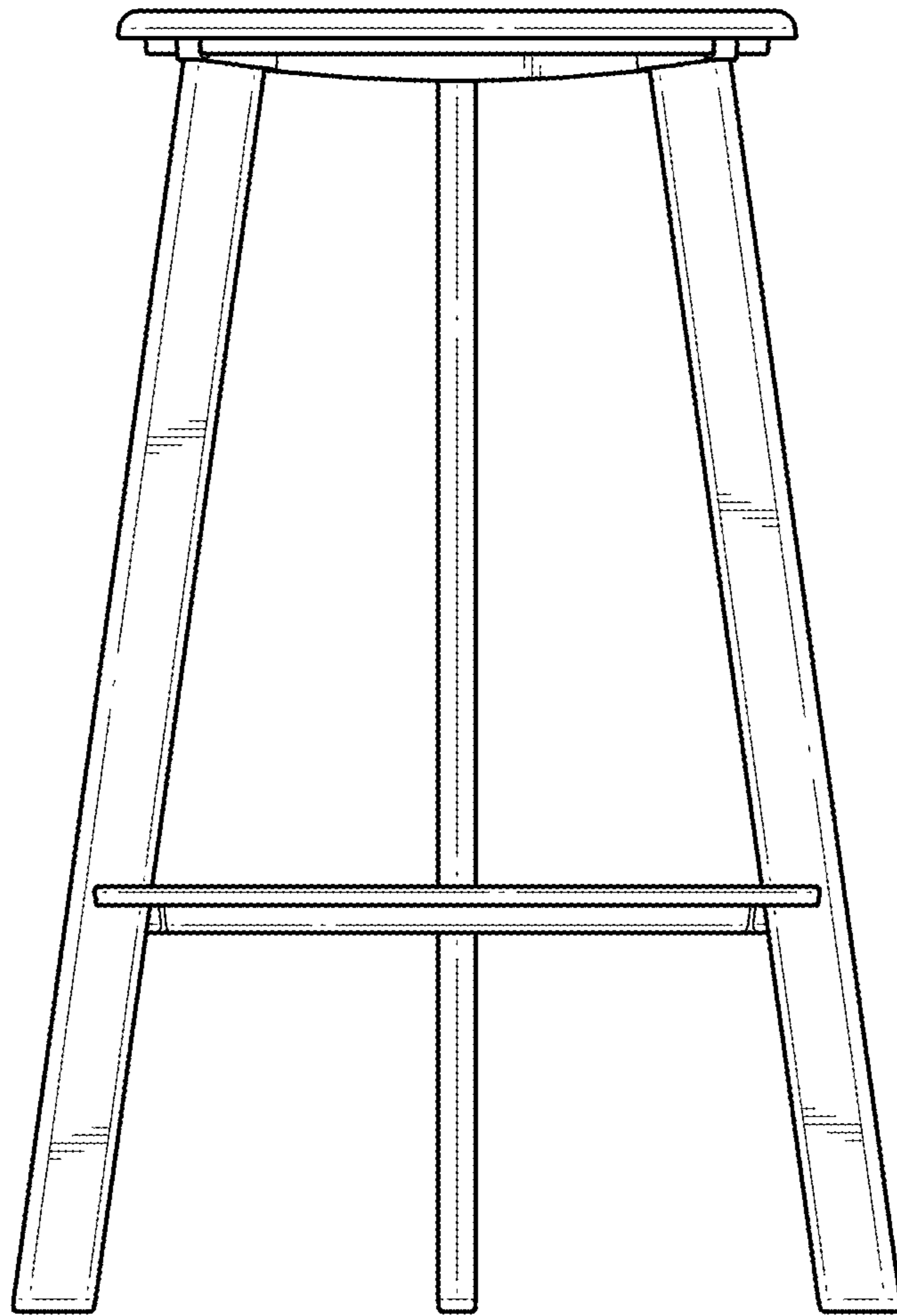


FIG. 2

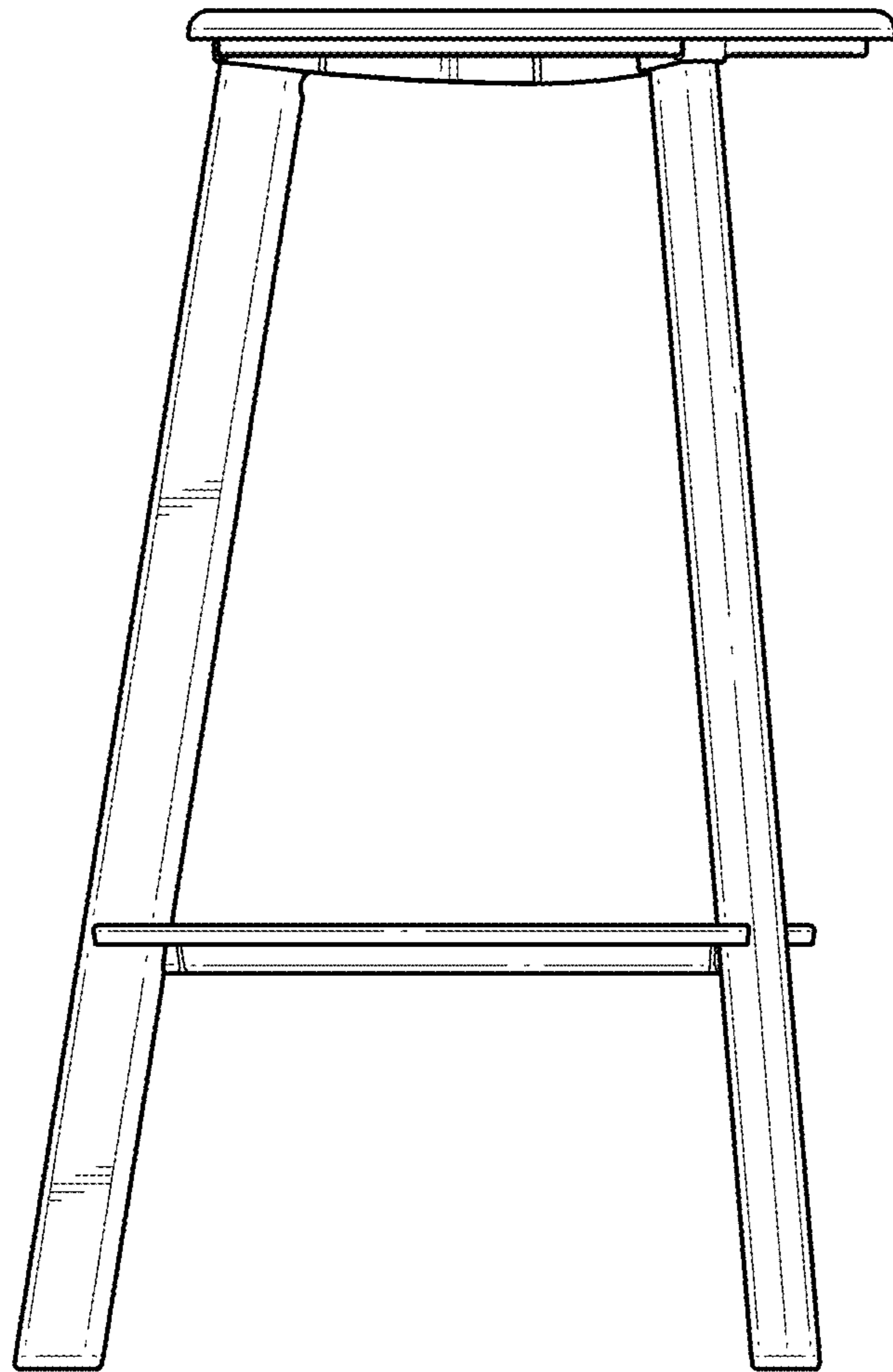


FIG. 3

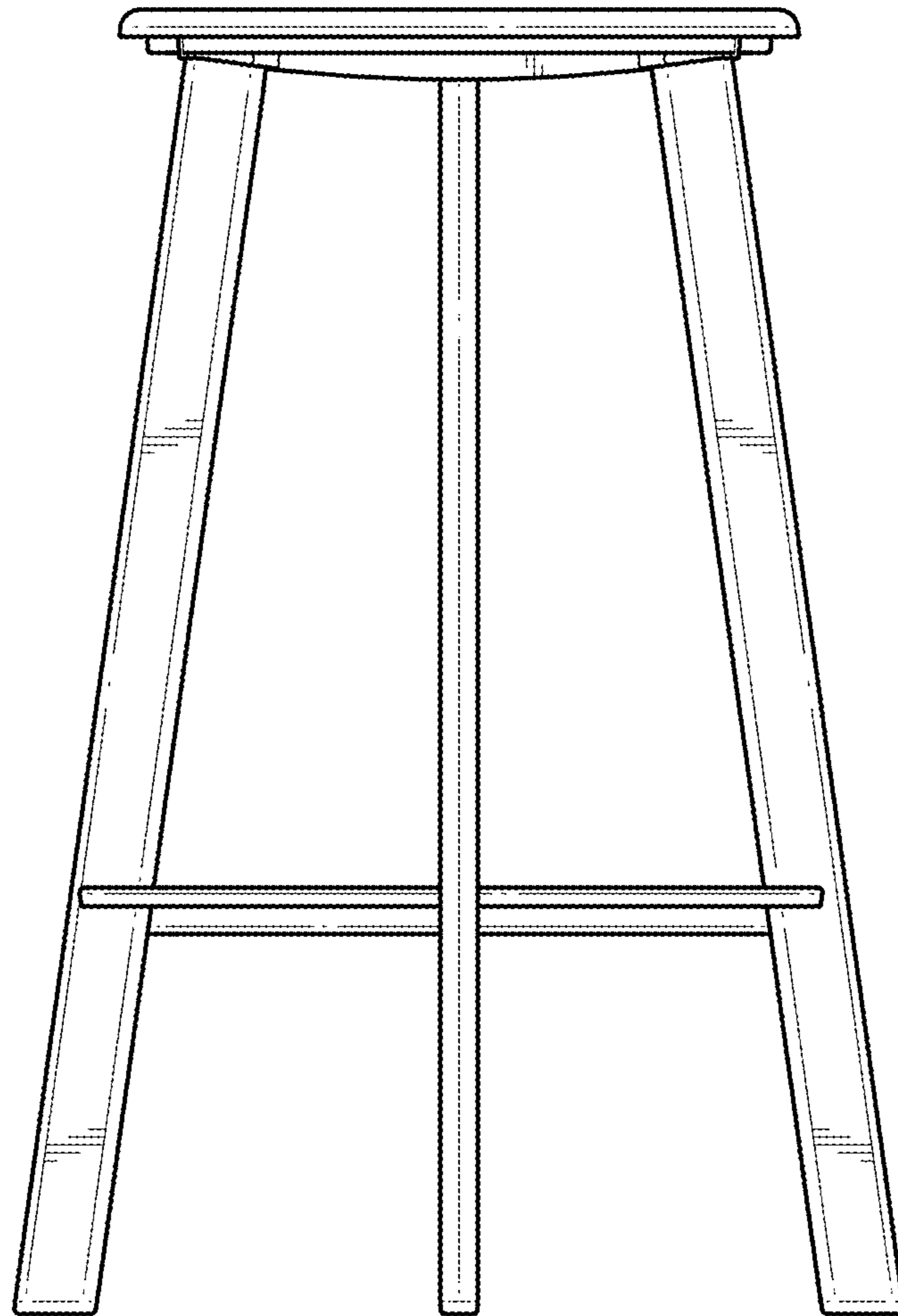


FIG. 4

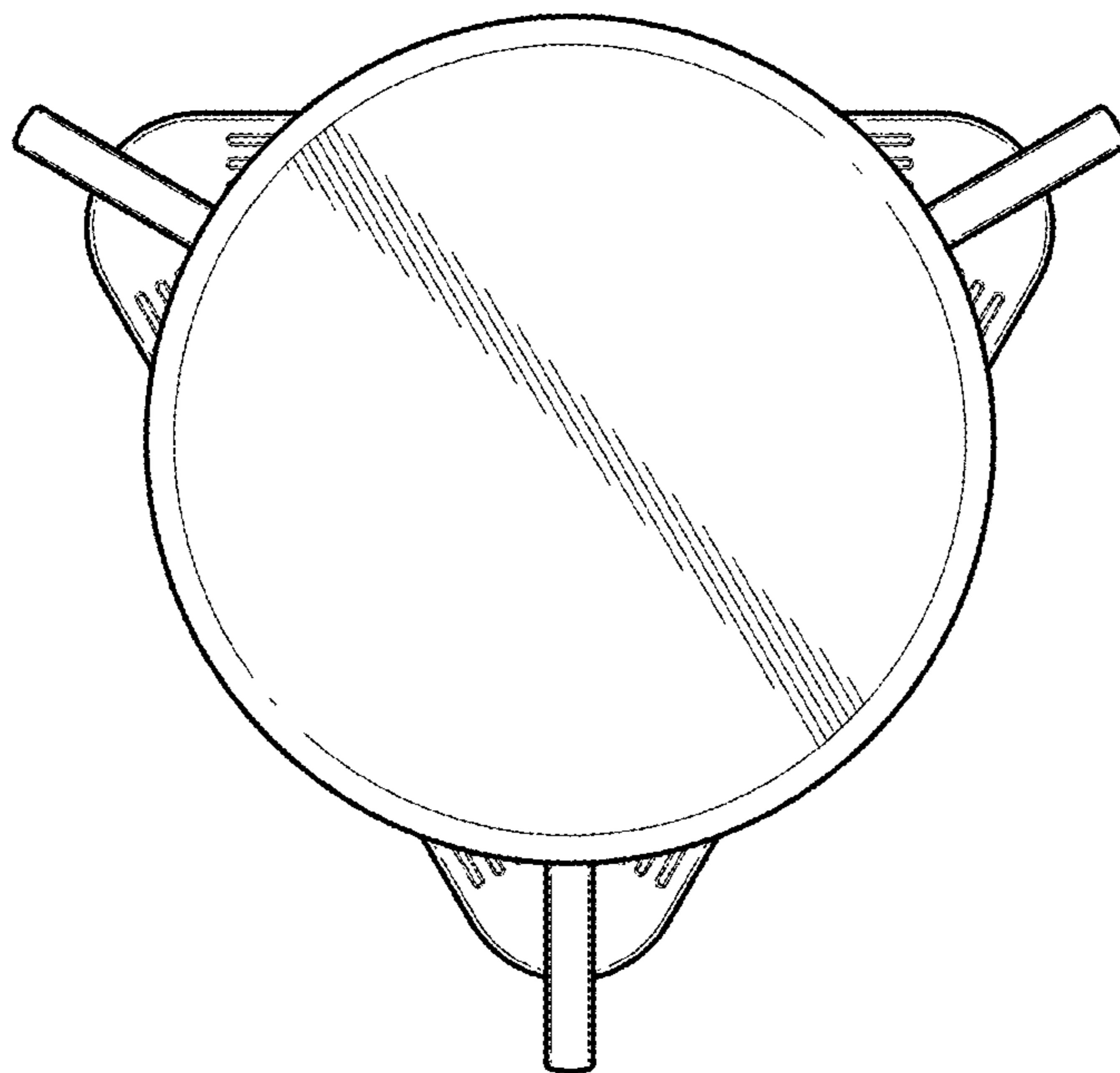


FIG. 5

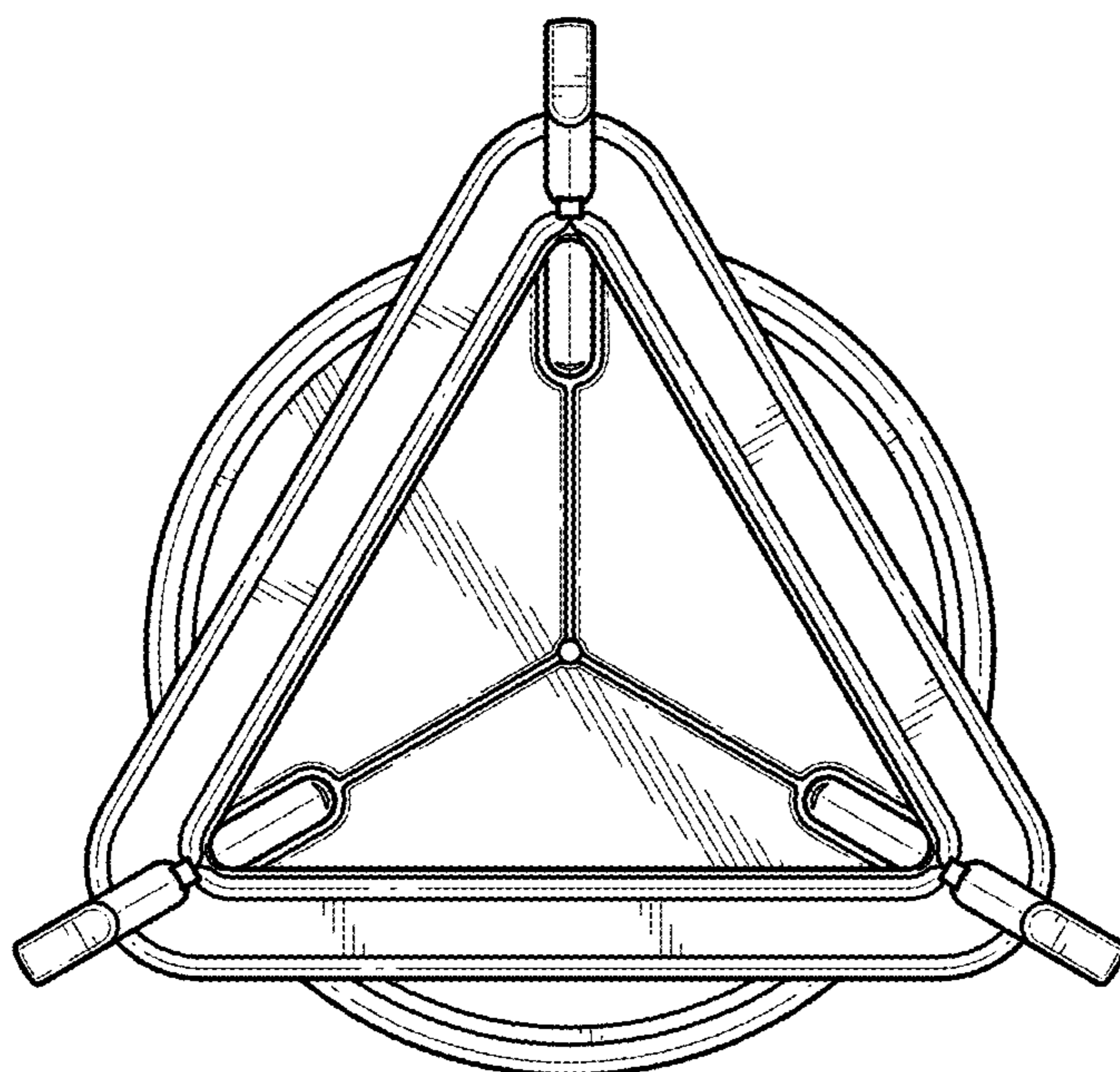


FIG. 6