



US00D785351S

(12) **United States Design Patent**  
**D'Angelo**

(10) **Patent No.:** **US D785,351 S**

(45) **Date of Patent:** **\*\* May 2, 2017**

(54) **UNIVERSAL TOILET STOOLS**

9,066,598 B1 \* 6/2015 Sears ..... A47C 16/02  
D749,330 S \* 2/2016 Jahns ..... D6/349

(71) Applicant: **Eduardo Felipe D'Angelo**, Miami, FL  
(US)

\* cited by examiner

(72) Inventor: **Eduardo Felipe D'Angelo**, Miami, FL  
(US)

*Primary Examiner* — Robert Delehanty

(73) Assignee: **Eduardo F. D'Angelo**, Miami, FL (US)

(57) **CLAIM**

The ornamental design for a universal toilet stools, as shown and described.

(\*\*) Term: **15 Years**

**DESCRIPTION**

(21) Appl. No.: **29/620,319**

(22) Filed: **Oct. 8, 2016**

(51) **LOC (10) Cl.** ..... **06-01**

(52) **U.S. Cl.**  
USPC ..... **D6/349**

(58) **Field of Classification Search**  
USPC ..... D23/303, 309; D6/349, 353  
CPC ..... A47K 16/02; A47K 16/06; A47K 16/025;  
A47K 17/028

See application file for complete search history.

FIG. 1 is a perspective view of the universal toilet stools for a toilet illustrating my new design in position adjacent a toilet;

FIG. 2 is a perspective view of a single stool of the universal toilet stools showing my new design;

FIG. 3 is a right side view of a single stool thereof, which right side view is an identical mirror image of the left side view thereof;

FIG. 4 is a front view of a single stool thereof;

FIG. 5 is a rear view of a single stool thereof;

FIG. 6 is a top view of the single stool thereof; and,

FIG. 7 is a bottom view of the single stool thereof.

The broken line showing the underside of the stool is included for the purpose of illustrating a portion of the toilet stool that forms no part of the claimed design.

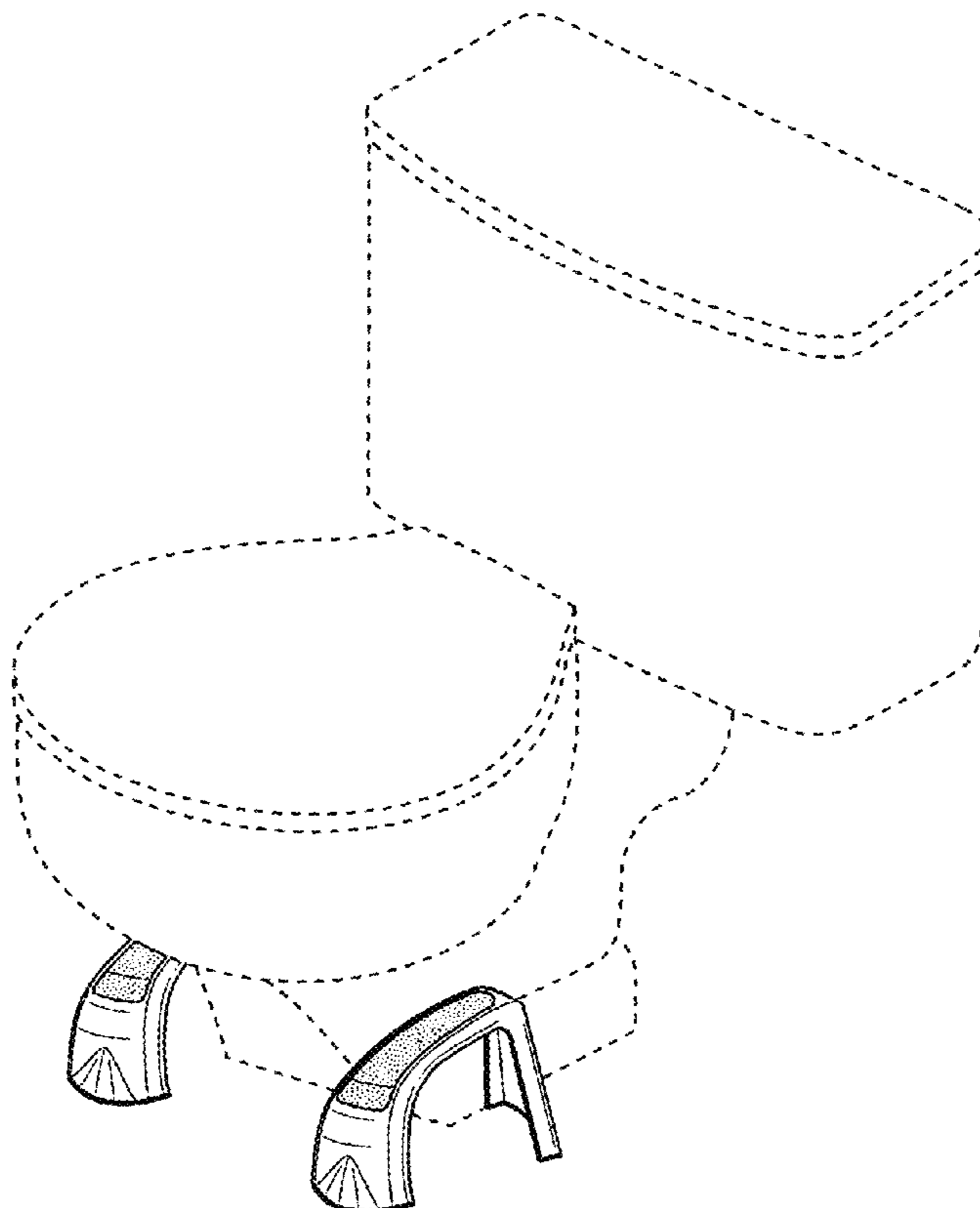
The broken line showing a toilet is included for the purpose of illustrating environment that forms no part of the claimed design.

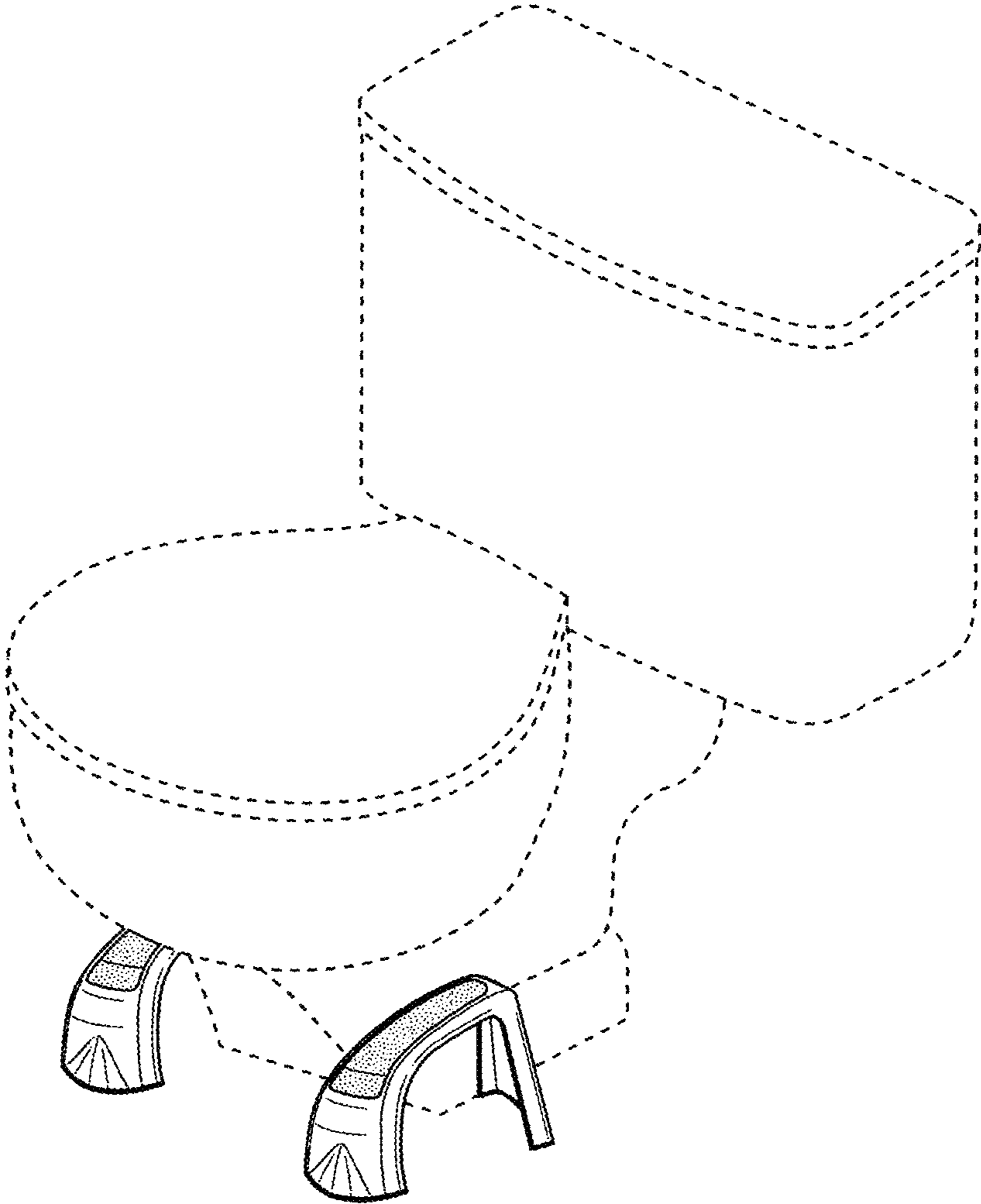
(56) **References Cited**

**U.S. PATENT DOCUMENTS**

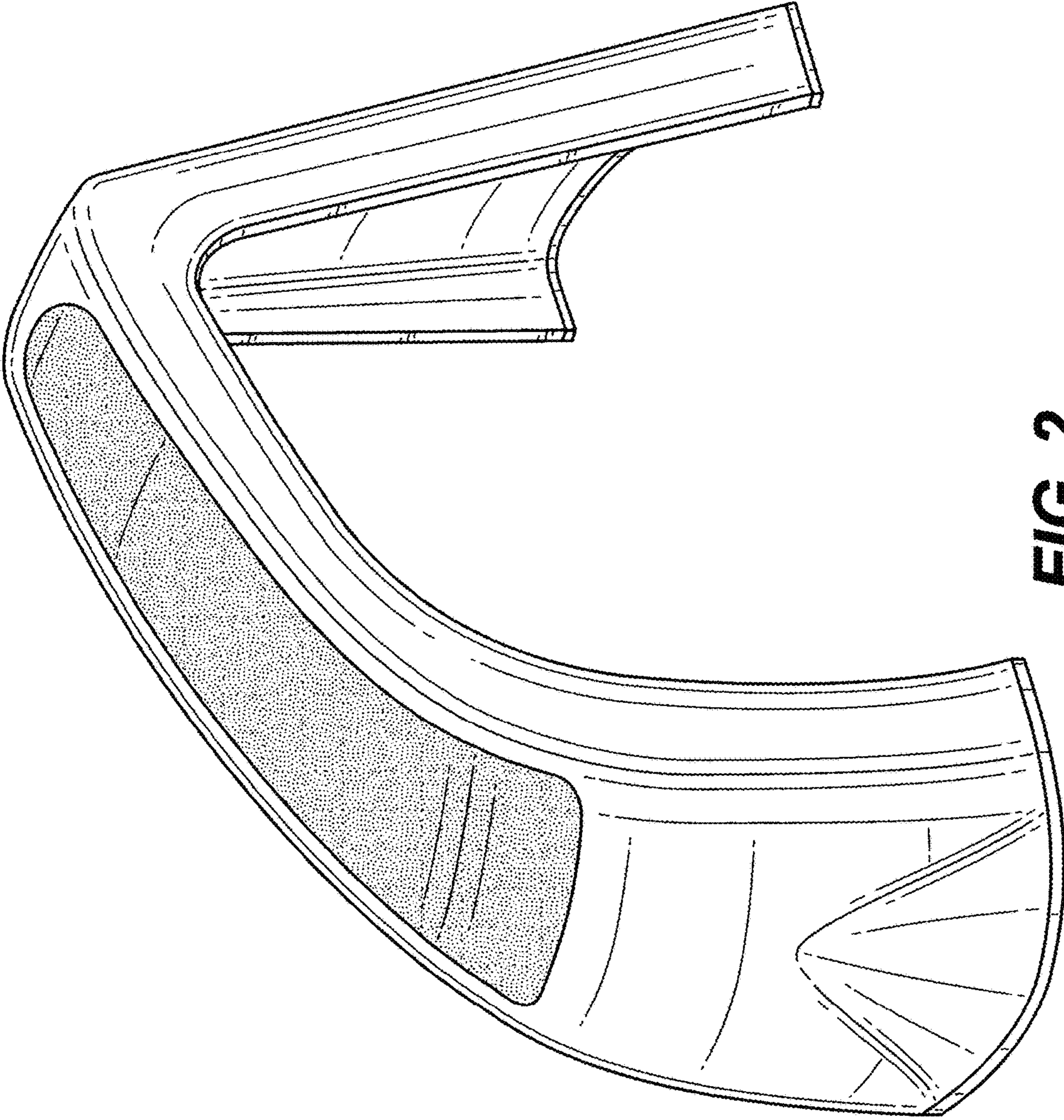
D410,797 S \* 6/1999 Walters ..... D6/349  
8,616,652 B1 \* 12/2013 Wells ..... A47C 16/025  
297/423.14  
D705,554 S \* 5/2014 Edwards ..... D6/349

**1 Claim, 5 Drawing Sheets**

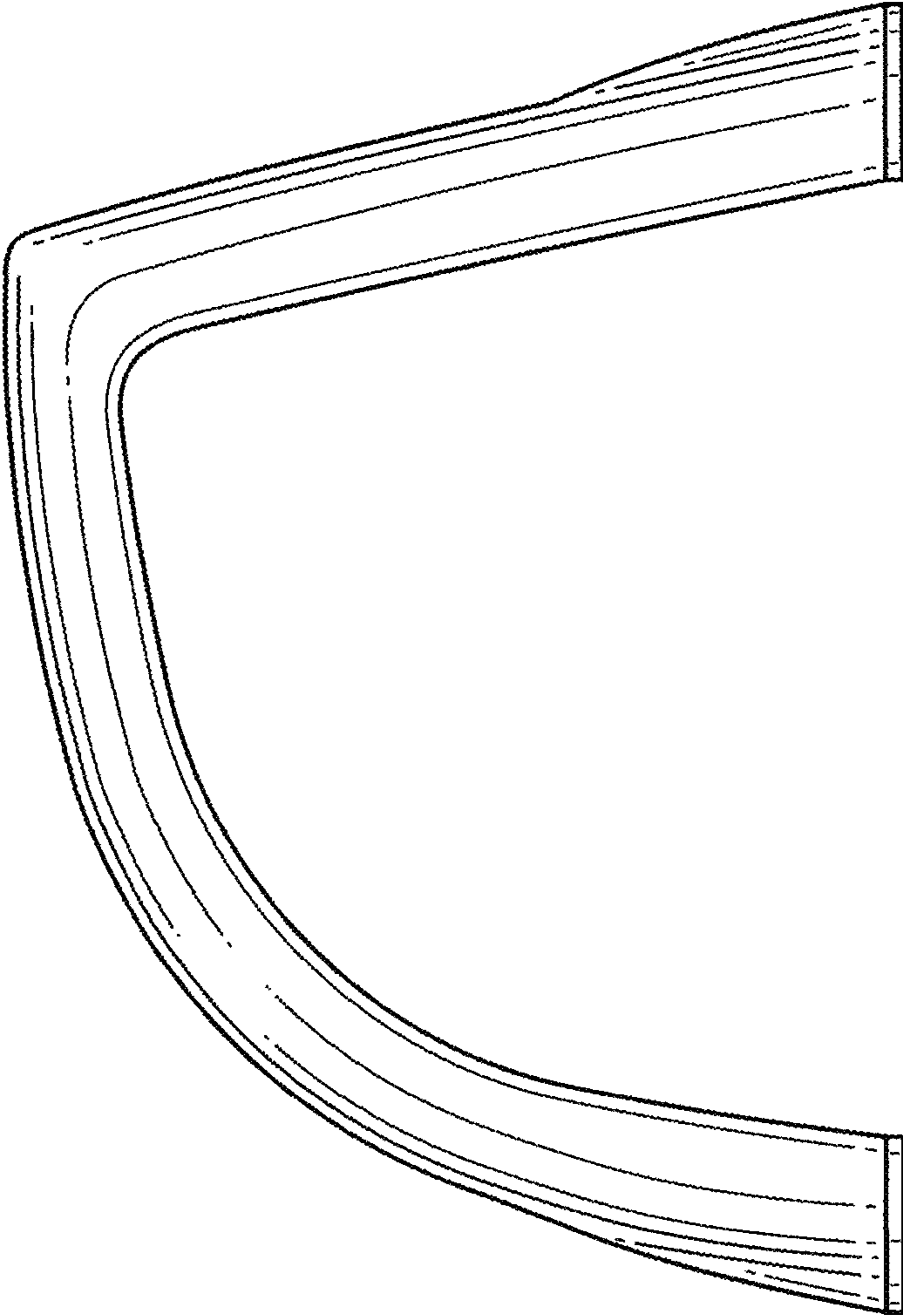




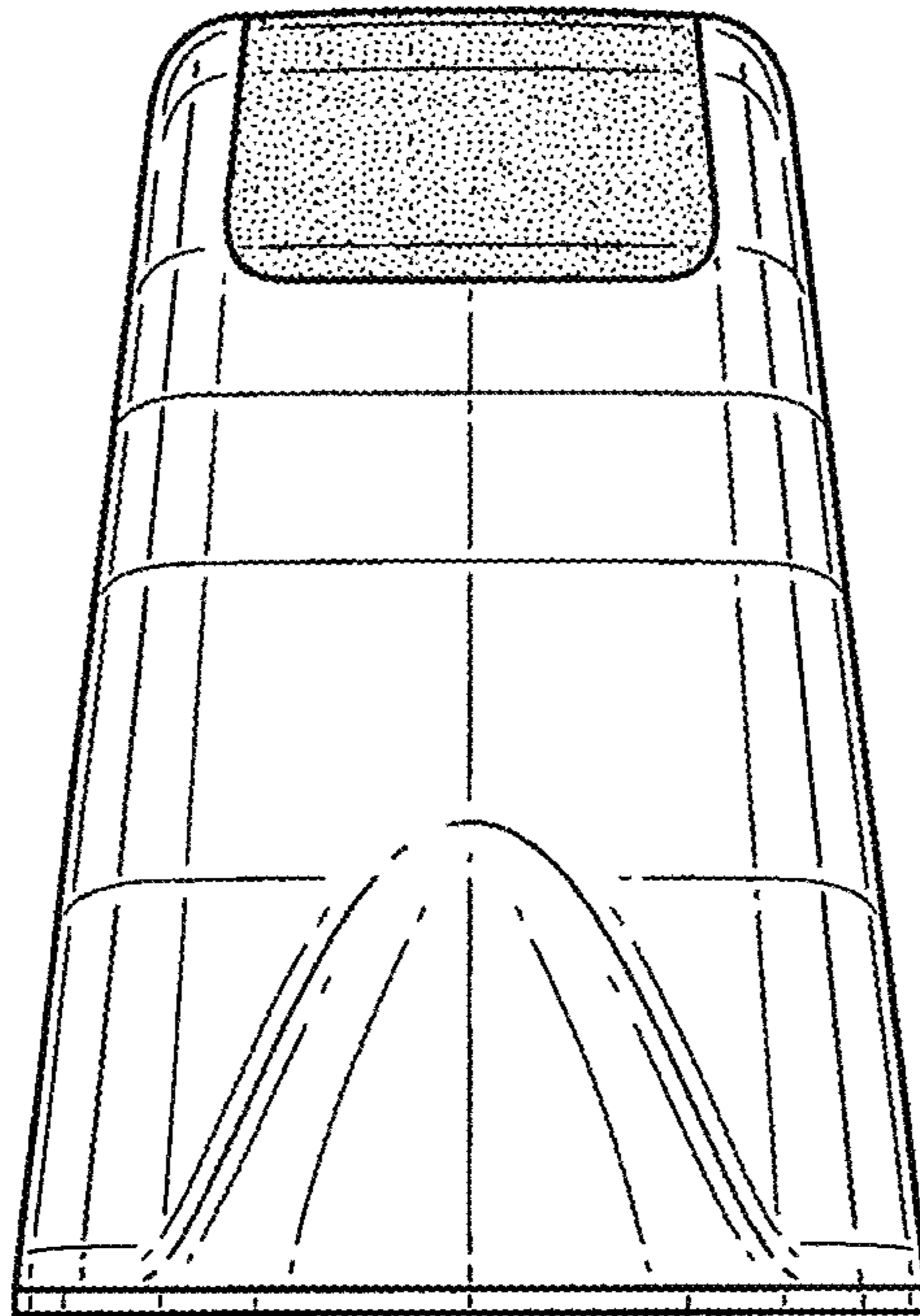
**FIG. 1**



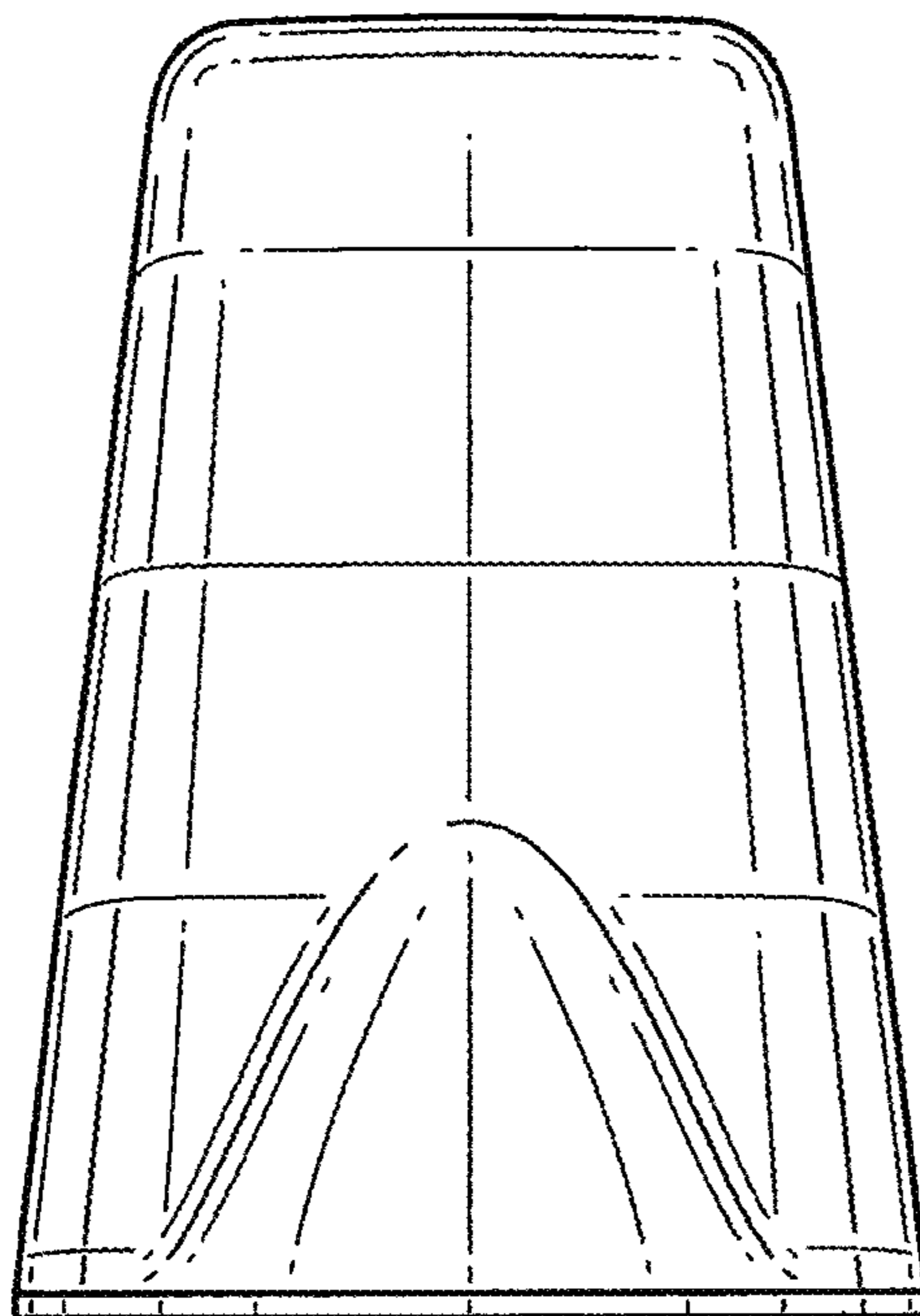
**FIG. 2**



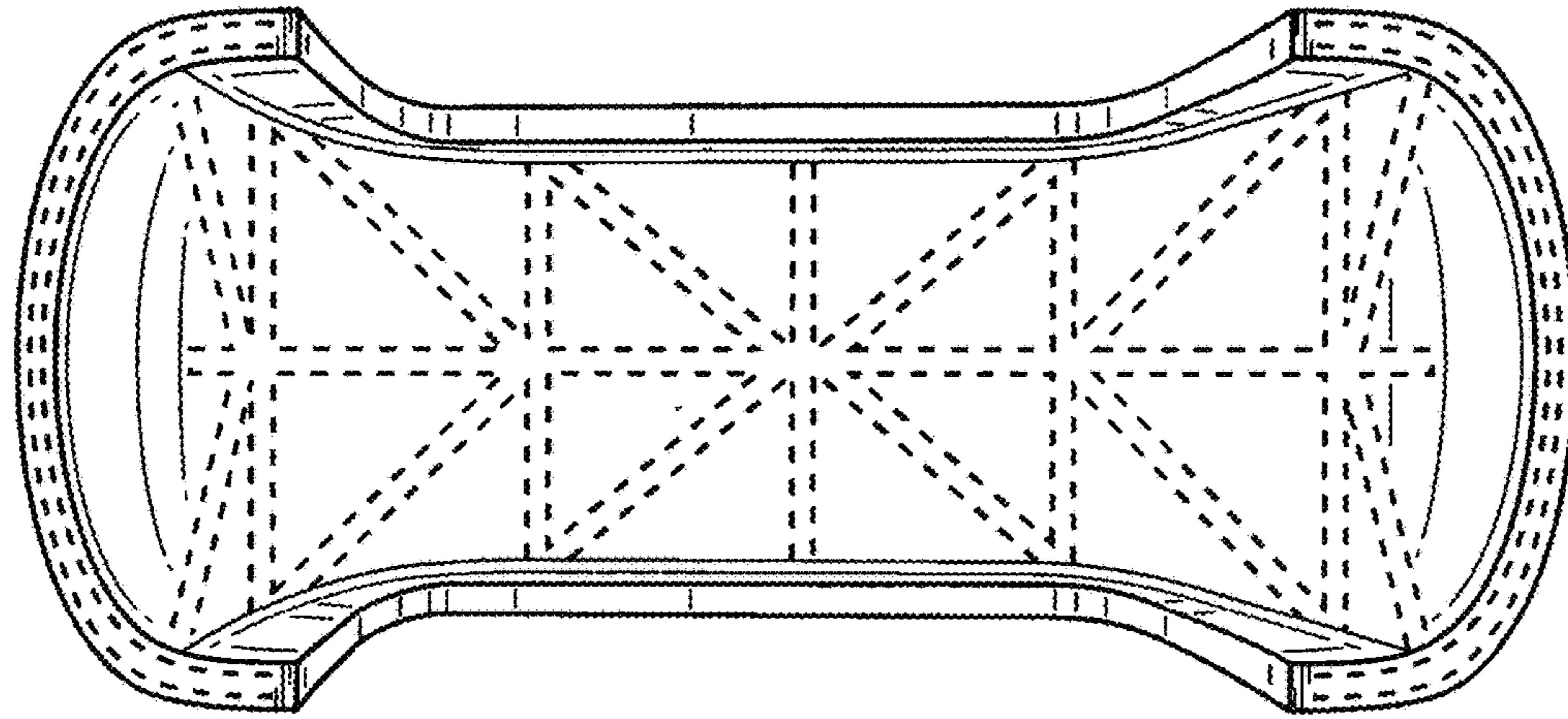
**FIG. 3**



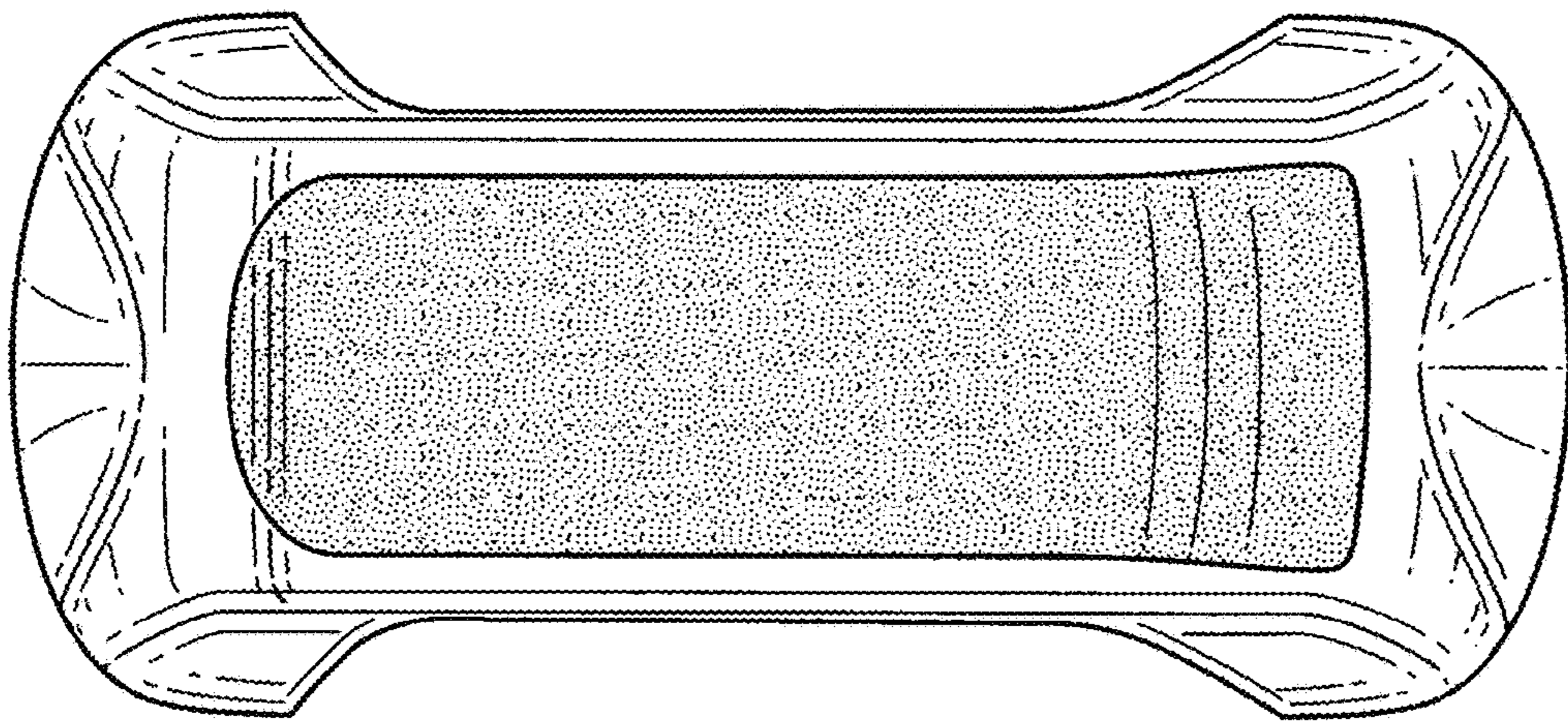
**FIG. 4**



**FIG. 5**



**FIG. 6**



**FIG. 7**