



US00D785345S

(12) **United States Design Patent** (10) **Patent No.:** **US D785,345 S**
Yang et al. (45) **Date of Patent:** **** May 2, 2017**

(54) **MIRROR**

- (71) Applicant: **simplehuman, LLC**, Torrance, CA (US)
- (72) Inventors: **Frank Yang**, Rancho Palos Verdes, CA (US); **Tzu-Hao Wei**, Hacienda Heights, CA (US); **Daniel Ballou**, Long Beach, CA (US)
- (73) Assignee: **simplehuman, LLC**, Torrance, CA (US)
- (**) Term: **14 Years**
- (21) Appl. No.: **29/519,719**
- (22) Filed: **Mar. 6, 2015**
- (51) **LOC (10) Cl.** **06-07**
- (52) **U.S. Cl.**
USPC **D6/310**
- (58) **Field of Classification Search**
USPC D6/300, 301, 310, 312
CPC A47G 1/00; A47G 1/04; G02B 5/08
See application file for complete search history.

(56) **References Cited**

U.S. PATENT DOCUMENTS

D44,537 S	8/1913	McIsaac	
2,004,166 A	6/1935	Low	
2,292,059 A *	8/1942	Daum	A47G 1/04
			160/181
2,687,674 A *	8/1954	Cleve	A45D 42/16
			248/475.1
D208,234 S	8/1967	Ely	
3,623,356 A	11/1971	Bisberg	
3,732,702 A	5/1973	Desch	

(Continued)

FOREIGN PATENT DOCUMENTS

DE	20014279 U1	2/2001
DE	102004042929 A1	3/2006

(Continued)

OTHER PUBLICATIONS

Simplehuman Wide View Sensor Mirror, posted on Amazon.com, posting date not given, [online], [site visited Aug. 9, 2016]. Available from internet, <URL: <https://www.amazon.com/simplehuman-Wide-View-Sensor-Mirror/dp/B01C2RXD7K>>.*

(Continued)

Primary Examiner — Caron D Veynar

Assistant Examiner — Maria Edwards

(74) *Attorney, Agent, or Firm* — Knobbe, Martens, Olson & Bear, LLP

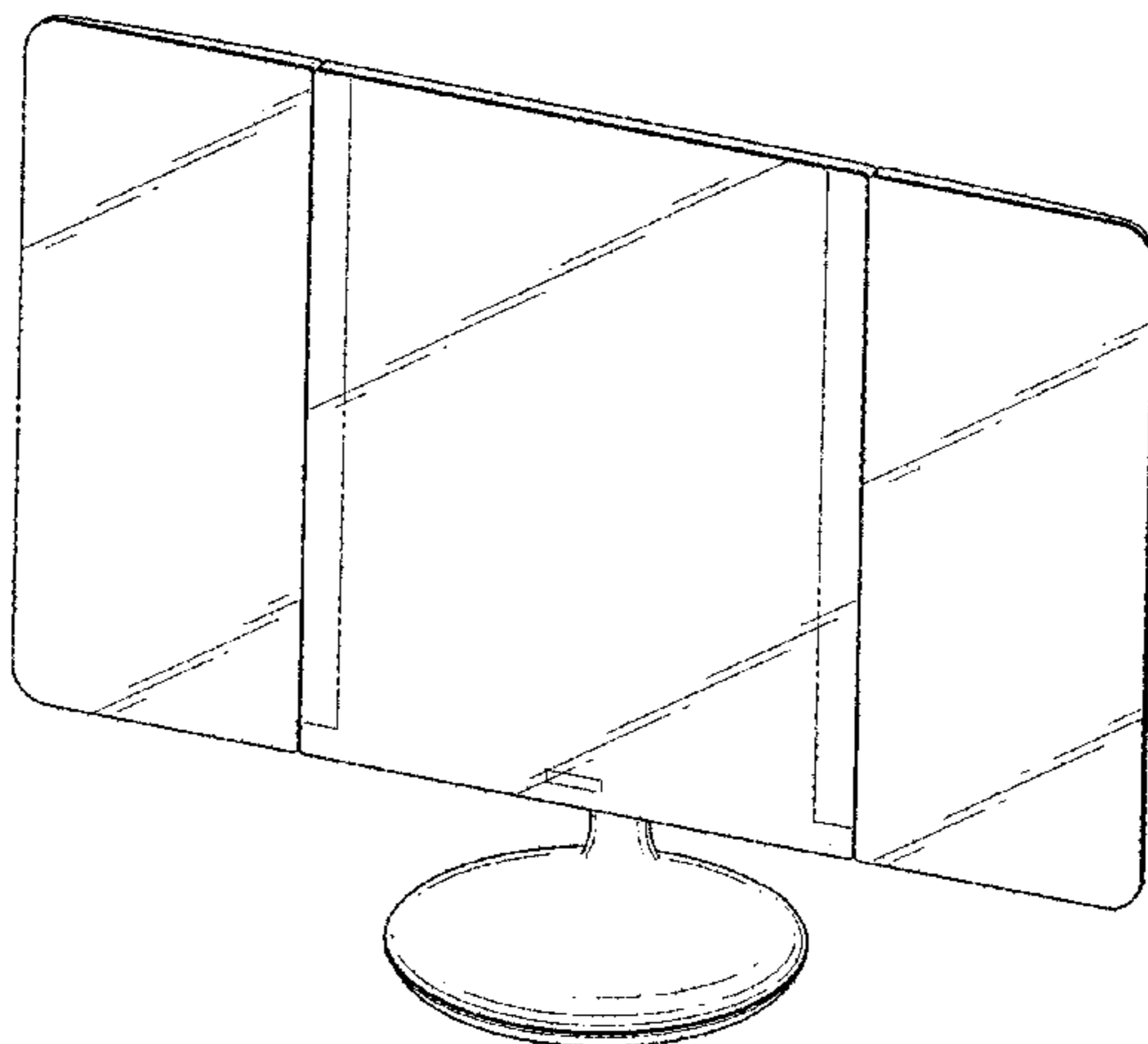
(57) **CLAIM**

The ornamental design for a mirror, as shown and described.

DESCRIPTION

FIG. 1 is a front elevation view of an embodiment of a mirror;
 FIG. 2 is a rear elevation view thereof;
 FIG. 3 is a left-side elevation view thereof;
 FIG. 4 is a right-side elevation view thereof;
 FIG. 5 is a top plan view thereof;
 FIG. 6 is a bottom plan view thereof; and,
 FIG. 7 is a top, front perspective view thereof.
 FIG. 8 is a front elevation view of another embodiment of a mirror in an adjusted position;
 FIG. 9 is a rear elevation view thereof;
 FIG. 10 is a left-side elevation view thereof;
 FIG. 11 is a right-side elevation view thereof;
 FIG. 12 is a top plan view thereof;
 FIG. 13 is a bottom plan view thereof; and,
 FIG. 14 is a top, front perspective view thereof.
 The broken lines shown are included for the purpose of illustrating portions of the mirror that form no part of the claimed design.

1 Claim, 14 Drawing Sheets



(56)

References Cited

U.S. PATENT DOCUMENTS

D254,208 S 2/1980 Breslow
 4,278,870 A 7/1981 Carleton et al.
 D290,662 S * 7/1987 Basil D6/310
 D307,358 S * 4/1990 Gerton D6/302
 D309,833 S 8/1990 Wahl
 D317,531 S 6/1991 Evans
 D335,580 S 5/1993 Gaullier
 5,392,162 A 2/1995 Glucksman
 D378,159 S 2/1997 Mulkey
 D379,125 S 5/1997 Simjian
 D391,773 S * 3/1998 Zaidman D6/301
 D409,003 S 5/1999 Scavini
 5,984,485 A 11/1999 Poli et al.
 D425,313 S 5/2000 Zadro
 D426,182 S 6/2000 Brown
 D431,375 S 10/2000 Zadro
 6,158,877 A 12/2000 Zadro
 6,241,357 B1 6/2001 Lee
 6,270,240 B1 8/2001 Inoue
 6,273,585 B1 8/2001 Wu
 6,305,809 B1 10/2001 Zadro
 D459,094 S 6/2002 Stone et al.
 6,420,682 B1 7/2002 Sellgren et al.
 D465,490 S * 11/2002 Wei D14/374
 D474,432 S 5/2003 Good
 6,604,836 B2 8/2003 Carlucci et al.
 D488,626 S 4/2004 Kruger
 D492,230 S 6/2004 Berger
 6,830,154 B2 12/2004 Zadro
 6,848,822 B2 2/2005 Ballen et al.
 D505,555 S 5/2005 Snell
 6,886,351 B2 5/2005 Palfy et al.
 D508,883 S 8/2005 Falconer
 D509,369 S 9/2005 Snell
 D511,413 S 11/2005 Yue
 7,004,599 B2 2/2006 Mullani
 7,048,406 B1 5/2006 Shih
 7,090,378 B1 8/2006 Zadro
 D532,981 S 12/2006 Zadro
 7,233,154 B2 6/2007 Groover et al.
 D546,567 S 7/2007 Bhavnani
 D558,987 S 1/2008 Gildersleeve
 7,341,356 B1 3/2008 Zadro
 7,347,573 B1 * 3/2008 Isler A45D 42/10
 359/854
 D568,081 S 5/2008 Thompson et al.
 D569,671 S 5/2008 Thompson et al.
 D572,024 S * 7/2008 Shapiro D6/301
 7,393,115 B2 7/2008 Tokushita et al.
 D574,159 S 8/2008 Howard
 D584,516 S * 1/2009 Otomo D6/310
 7,513,476 B1 4/2009 Huang
 7,626,655 B2 12/2009 Yamazaki et al.
 D635,009 S 3/2011 Paterson
 D639,077 S 6/2011 DeBretton Gordon
 D647,444 S 10/2011 Manukyan et al.
 D649,790 S 12/2011 Pitot
 D652,220 S 1/2012 Pitot
 D656,979 S 4/2012 Yip et al.
 D657,425 S 4/2012 Podd
 D657,576 S 4/2012 Pitot
 8,162,502 B1 4/2012 Zadro
 D658,604 S 5/2012 Egawa et al.
 D660,367 S 5/2012 Podd
 D660,368 S 5/2012 Podd
 D660,369 S 5/2012 Podd
 8,194,133 B2 6/2012 DeWind et al.
 D665,030 S 8/2012 Podd
 D666,010 S 8/2012 Farley
 D670,087 S 11/2012 Walker
 8,356,908 B1 1/2013 Zadro
 8,382,189 B2 2/2013 Li et al.
 8,393,749 B1 * 3/2013 Daicos F16M 11/2014
 248/466
 D679,101 S 4/2013 Pitot

D679,102 S 4/2013 Gilboe et al.
 D680,755 S 4/2013 Gilboe et al.
 D688,883 S 9/2013 Gilboe et al.
 D689,701 S 9/2013 Mischel, Jr. et al.
 8,585,273 B2 11/2013 Pokrovskiy et al.
 D699,448 S 2/2014 Yang et al.
 D699,952 S 2/2014 Yang et al.
 D701,050 S 3/2014 Yang et al.
 D701,507 S 3/2014 Cope
 D711,871 S 8/2014 Daniel
 D711,874 S 8/2014 Cope
 D712,963 S 9/2014 Fleet
 D729,527 S 5/2015 Tsai
 D736,001 S 8/2015 Yang et al.
 D737,060 S 8/2015 Yang et al.
 D751,829 S 3/2016 Yang et al.
 D754,446 S 4/2016 Yang et al.
 2002/0196333 A1 12/2002 Gorischek
 2003/0030063 A1 2/2003 Sosniak et al.
 2003/0031010 A1 2/2003 Sosniak et al.
 2004/0020509 A1 2/2004 Waisman
 2004/0125592 A1 7/2004 Nagakubo et al.
 2005/0243556 A1 11/2005 Lynch
 2006/0186314 A1 8/2006 Leung
 2007/0297189 A1 12/2007 Wu et al.
 2008/0130305 A1 6/2008 Wang et al.
 2008/0258110 A1 10/2008 Oshio
 2008/0298080 A1 12/2008 Wu et al.
 2009/0027902 A1 1/2009 Fielding et al.
 2009/0207339 A1 8/2009 Ajichi et al.
 2009/0301927 A1 12/2009 Fvlbrook et al.
 2010/0033988 A1 2/2010 Chiu et al.
 2010/0118422 A1 * 5/2010 Holacka A47G 1/02
 359/854
 2010/0118520 A1 5/2010 Stern et al.
 2010/0296298 A1 11/2010 Martin, Jr.
 2011/0058269 A1 3/2011 Su
 2011/0080374 A1 4/2011 Feng et al.
 2011/0211079 A1 9/2011 Rolston
 2012/0229789 A1 9/2012 Kang et al.
 2013/0026512 A1 1/2013 Tsai
 2013/0077292 A1 3/2013 Zimmerman
 2013/0190845 A1 7/2013 Liu et al.
 2013/0235607 A1 9/2013 Yang et al.
 2013/0235610 A1 9/2013 Yang et al.
 2014/0240964 A1 8/2014 Adachi et al.
 2015/0060431 A1 3/2015 Yang et al.
 2016/0045015 A1 * 2/2016 Baldwin A45D 42/18
 359/854
 2016/0255941 A1 9/2016 Yang et al.

FOREIGN PATENT DOCUMENTS

DE 102006060781 A1 4/2008
 DE 202009004795 U1 9/2009
 DE 202010000170 U1 7/2010
 DE 202012103555 U1 12/2013
 EP 1792553 A2 6/2007
 JP 2008-073174 A 4/2008

OTHER PUBLICATIONS

Sensor mirror pro wide-view, posted on simplehuman.com, posting date not given, [online], [site visited Aug. 9, 2016]. Available from internet, <URL: <http://www.simplehuman.com/wide-view-sensor-mirror>>.*
 U.S. Appl. No. 29/464,995, filed Aug. 22, 2013, Yang et al.
 U.S. Appl. No. 29/480,510, filed Jan. 27, 2014, Yang et al.
 U.S. Appl. No. 29/484,906, filed Mar. 13, 2014, Yang et al.
 Simple Human Vanity Mirror, available from internet at <http://www.bedbathandbeyond.com/store/products/simplehuman-reg-5x-sensor-vanity-mirror/1041483503?categoryId=12028>, apparently available Dec. 19, 2013, site visited Dec. 2, 2014.
 Simple Human Sensor Mirror, Internet Archive Wayback Machine webpage capture of <http://www.tuvie.com/stainless-steel-sensor-mirror-by-simplehuman/>, apparently available Jan. 27, 2013, site visited Dec. 2, 2014.

(56)

References Cited

OTHER PUBLICATIONS

Simplehuman Mini Sensor Mirror, available from internet at http://www.amazon.com/gp/product/B00FZ3MFAA/ref=pd_lpo_sbs_dp_ss_2?pf_rd_p=1944579862&pf_rd_s=lpo-top-stripe-1&pf_rd_t=201&pf_rd_i=B00M8MC5H4&pf_rd_m=ATVPDKIKX0DER&pf_rd_r=0RHFJEABM9QKSWJKK99N#Ask, apparently available Mar. 11, 2014, site visited Jan. 8, 2015.

Simplehuman Sensor Mirror, available from internet at <http://www.amazon.com/simplehuman-Sensor-Sensor-Activated-Lighted-Magnification/dp/B00M8MC5H4#customerReviews>, apparently available Dec. 31, 2014, site visited Jan. 8, 2015.

Simplehuman Wall Mount Mirror, available from internet at <http://www.amazon.com/simplehuman-Wall-Mount-Sensor-Mirror/dp/B00FN92ELG#customerReviews>, apparently available Jan. 31, 2013, site visited Jan. 8, 2015.

Brookstone Shower Mirror, available from internet at http://www.brookstone.com/9-Lighted-Fogless-Shower-Mirror?bkiid=?SubCategory_Bath_Spa_Mirrors_Lighting_Makeup_Mirrors%7CSubCategoryWidget%7C608364p&catId=n/, apparently available Jan. 15, 2013, site visited Dec. 2, 2014.

Jerdon Wall Mounted Mirror, available from internet at http://www.amazon.com/Jerdon-HL1016NL-9-5-Inch-Lighted-Magnification/dp/B00413G9K2/ref=sr_1_26?ie=UTF8&qid=1420579897&sr=8-26&keywords=wall+mounted+mirror#customerReviews, apparently available Feb. 21, 2009, site visited Jan. 8, 2015.

Jerdon Wall Mounted Mirror, available from internet at http://www.amazon.com/Jerdon-JD7C-9-Inch-Lighted-Magnification/dp/B001DKVC08/ref=sr_1_54?ie=UTF8&qid=1420580127&sr=8-54&keywords=wall+mounted+mirror, apparently available Oct. 6, 2010, site visited Jan. 8, 2015.

U.S. Appl. No. 15/060,080, filed Mar. 3, 2016, Yang et al.

U.S. Appl. No. 15/073,990, filed Mar. 18, 2016, Yang et al.

Advanced Lighting Guidelines, 1993 (second edition), Chapter entitled, "Occupant Sensors", Published by California Energy Commission (CEC Pub.), in 14 pages.

Zadro Z'fogless Mirror with Light, available from internet at http://www.amazon.com/Zadro-1X-Zfogless-Adjustable-Magnification/dp/B000ARWLIW/ref=sr_1_16?s=beauty&ie=UTF8&qid=1439229012&sr=1-16&keywords=zadro+lighted+fogless+mirror, apparently available Nov. 27, 2006, site visited Aug. 10, 2015.

* cited by examiner

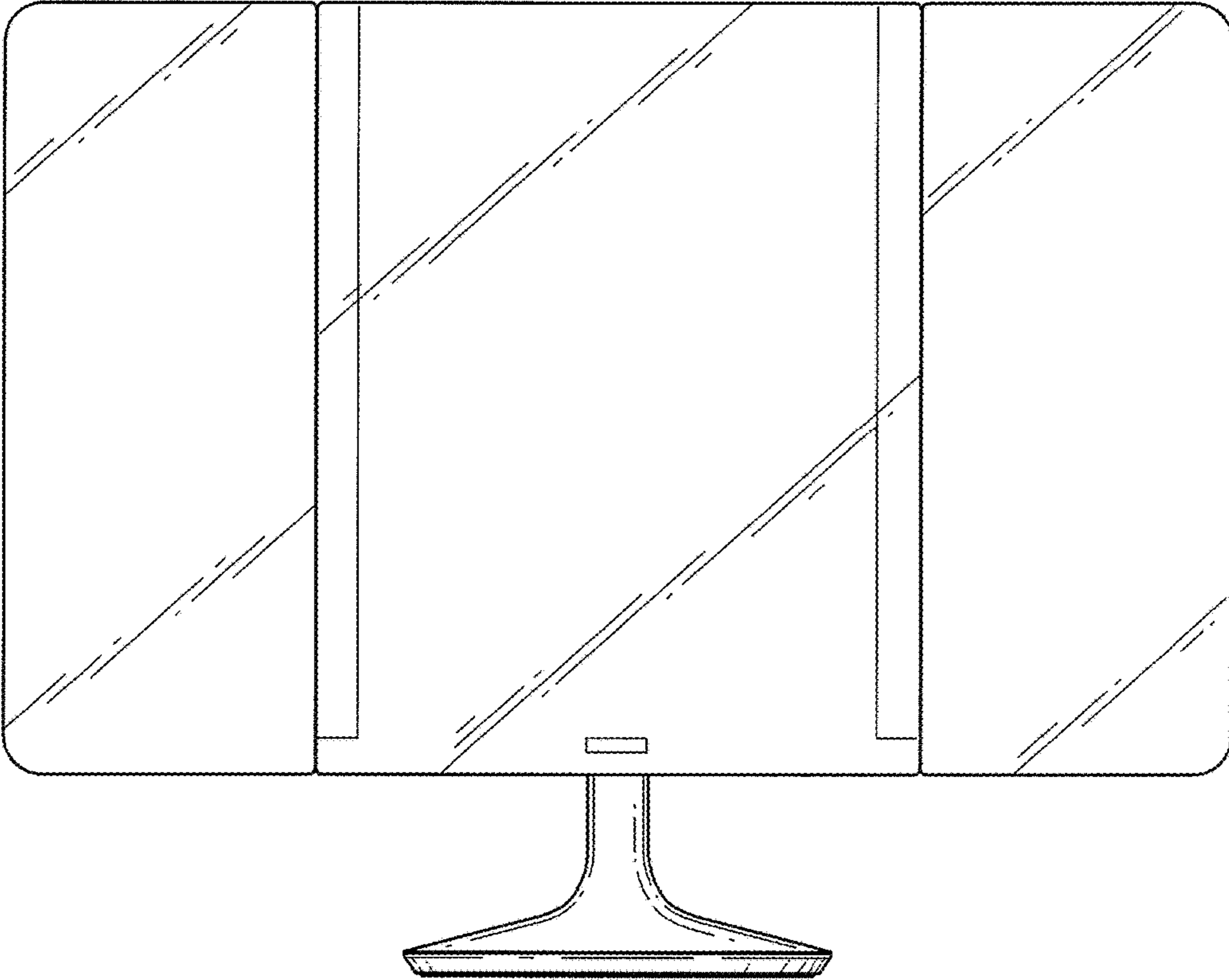


FIG. 1

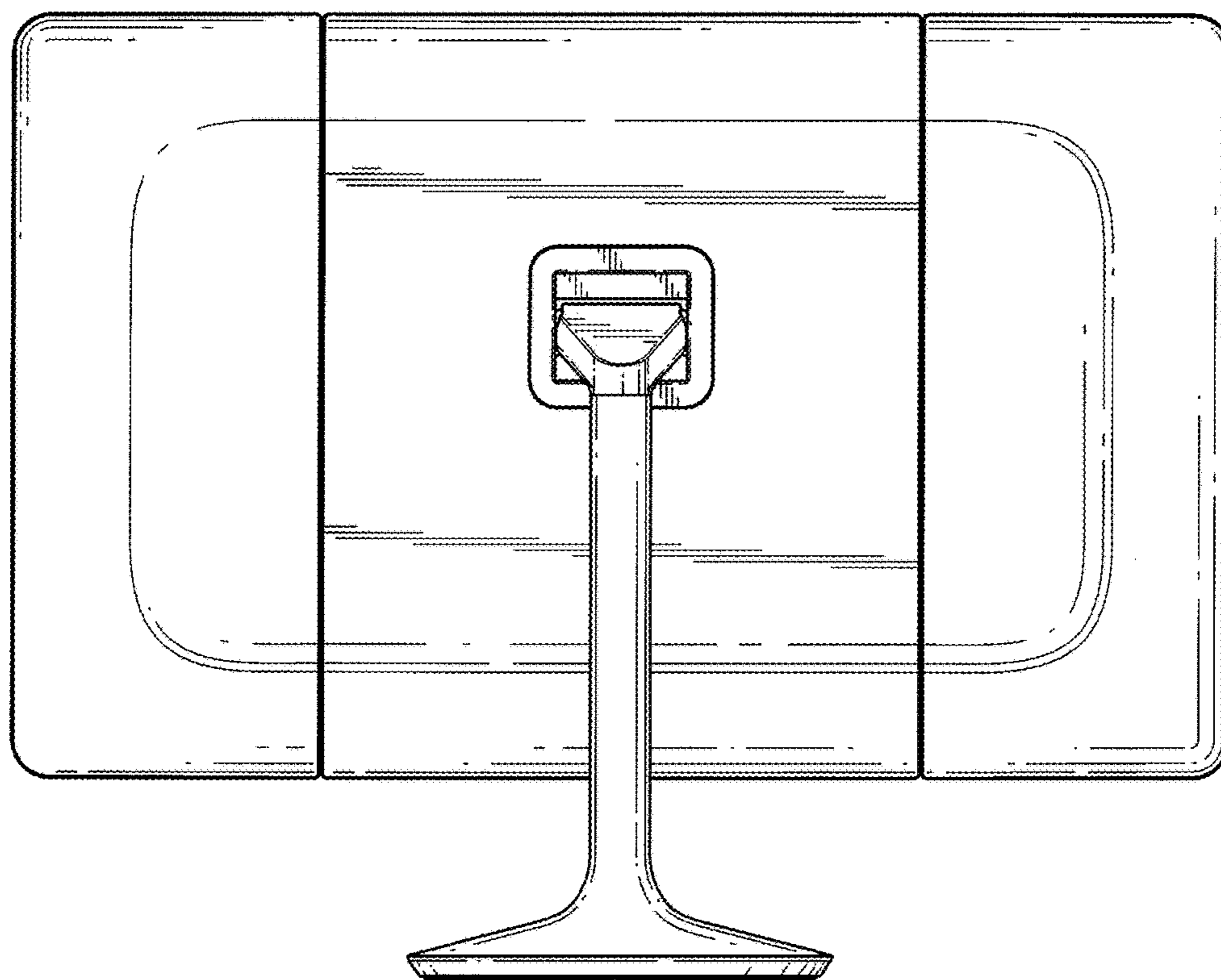


FIG. 2

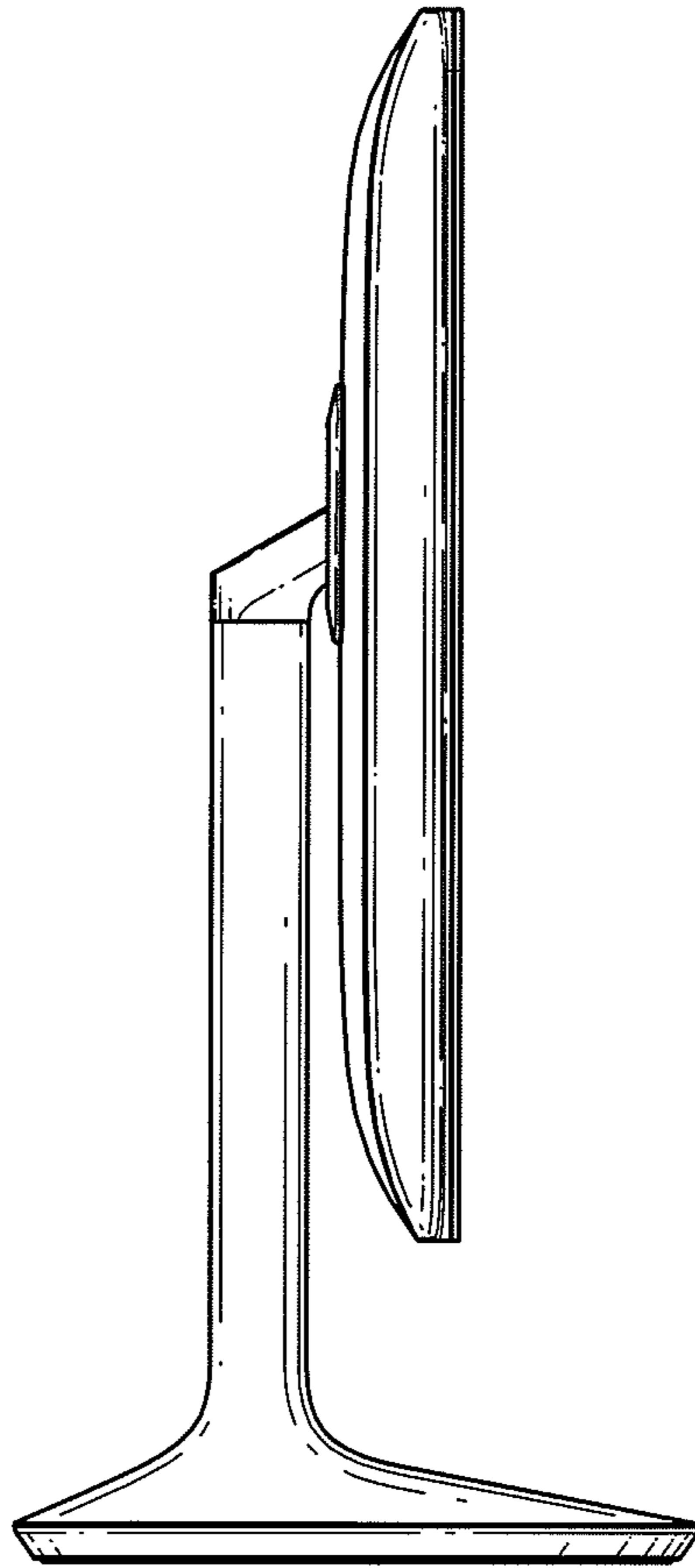


FIG. 3

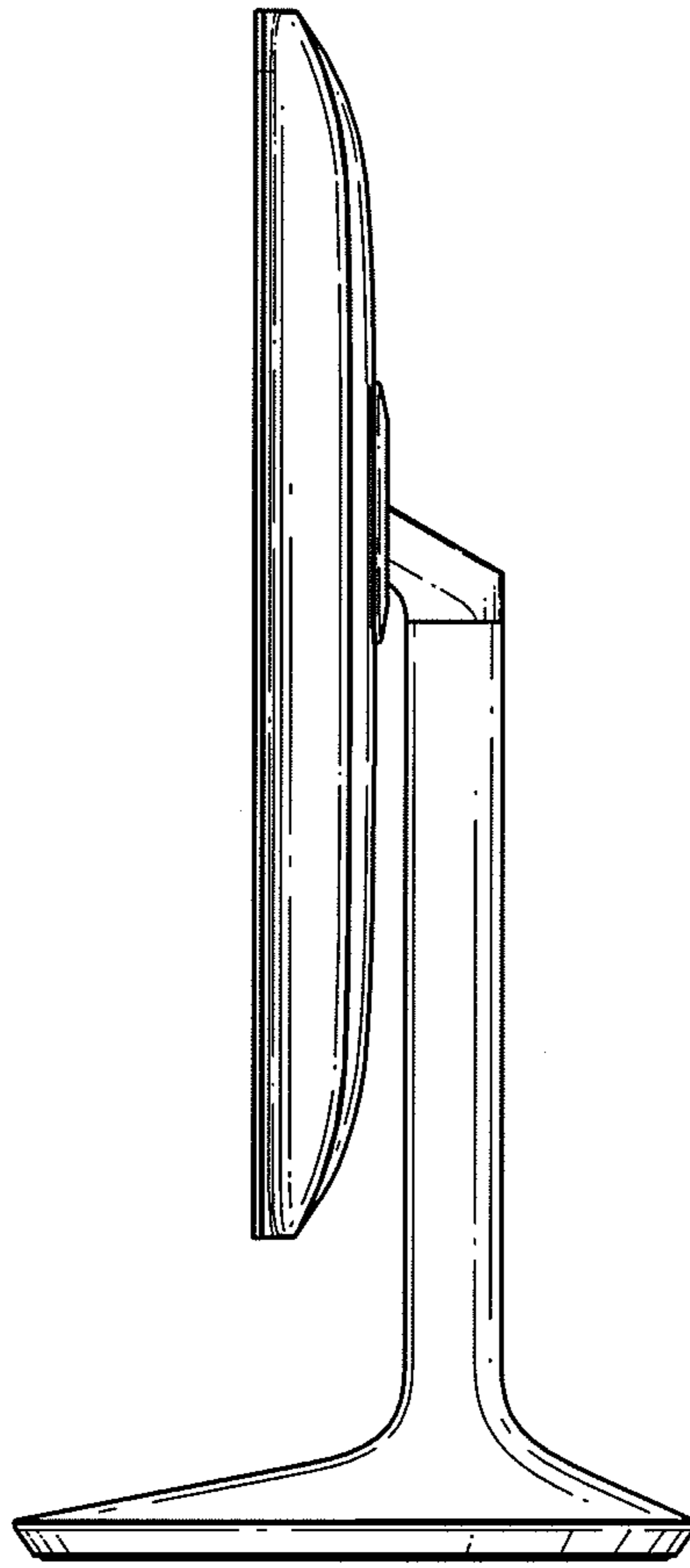


FIG. 4

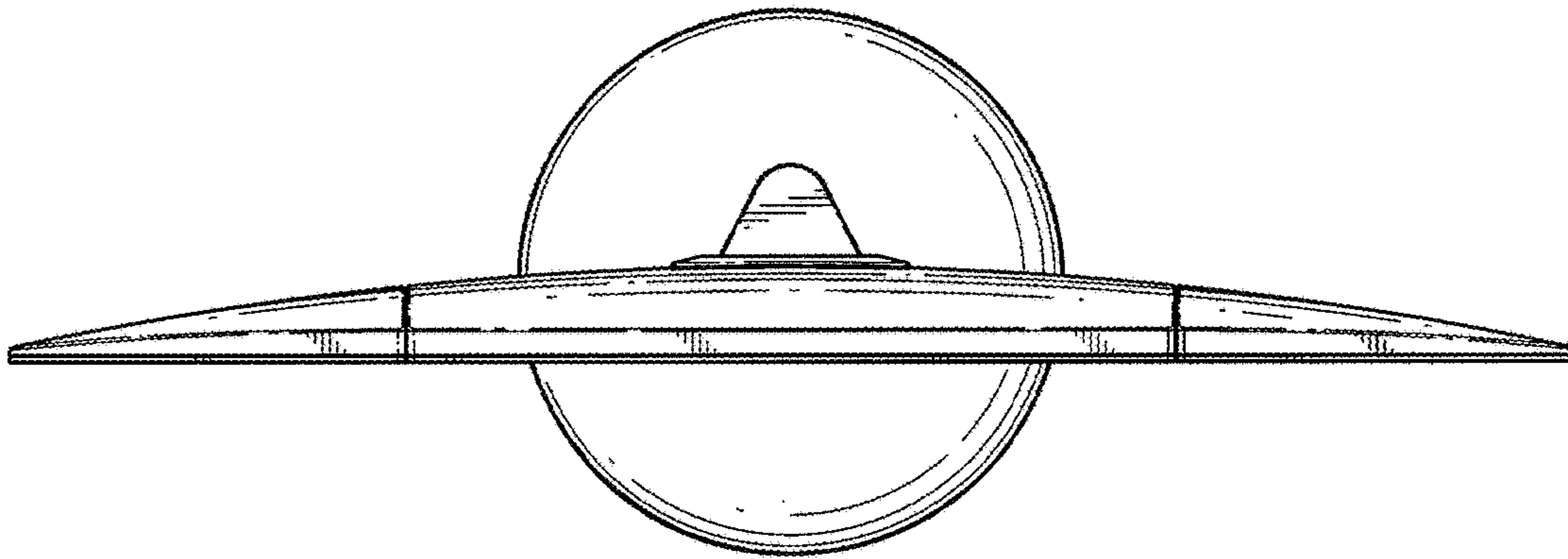


FIG. 5

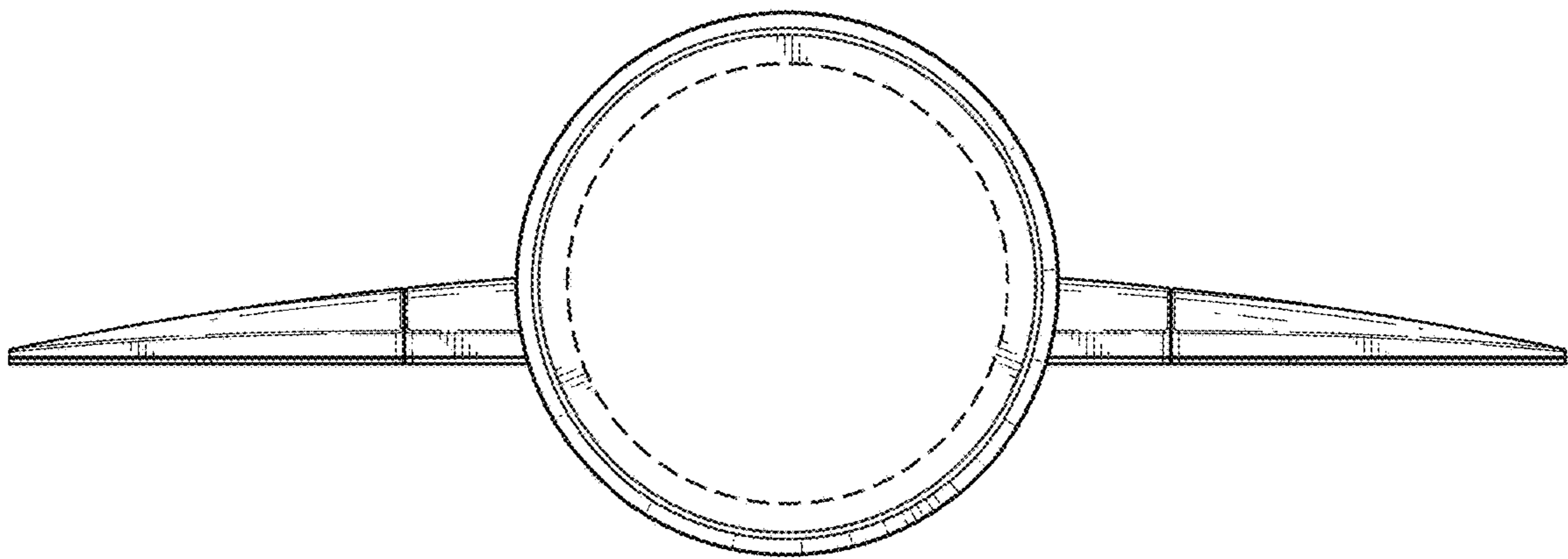


FIG. 6

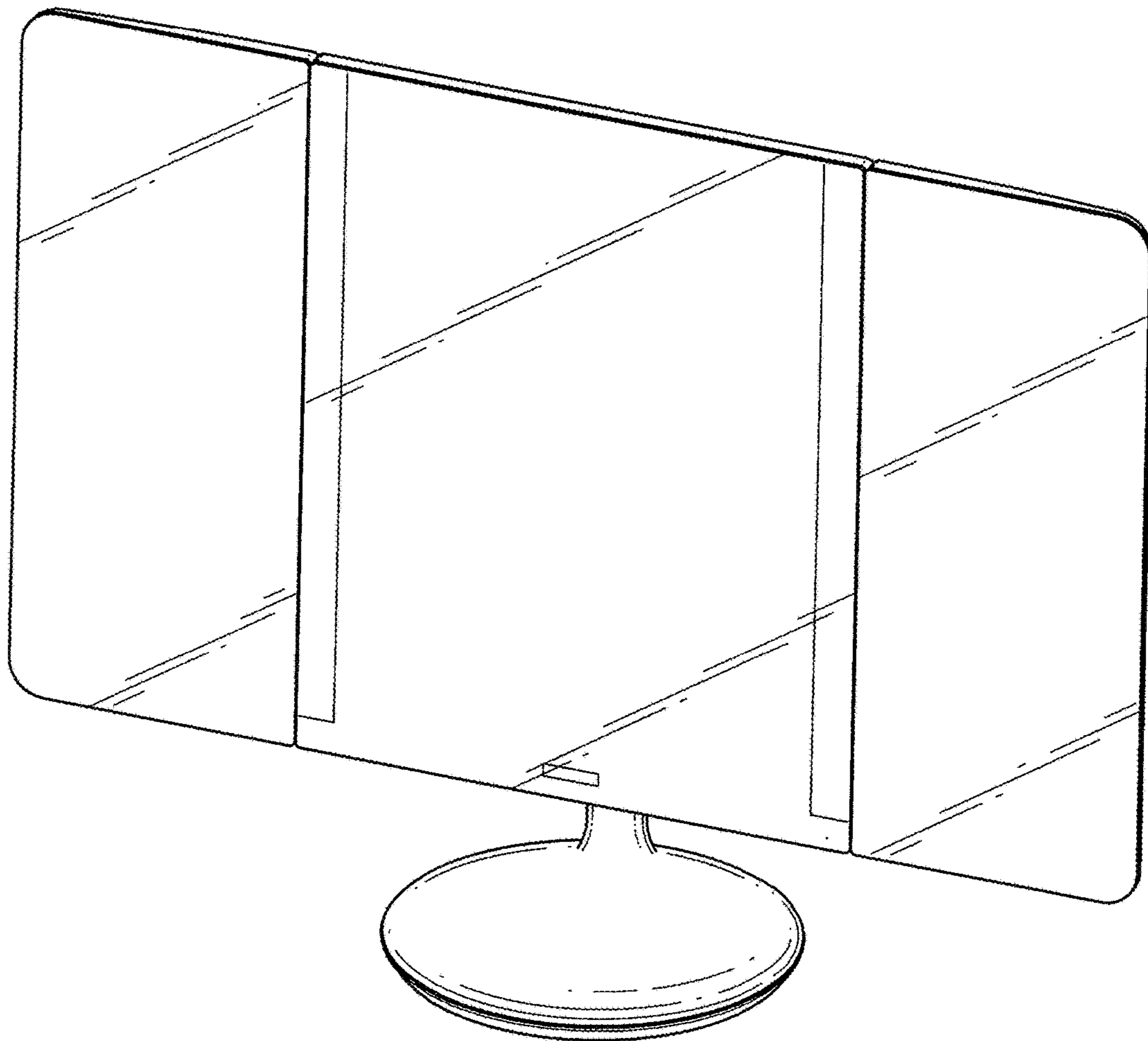


FIG. 7

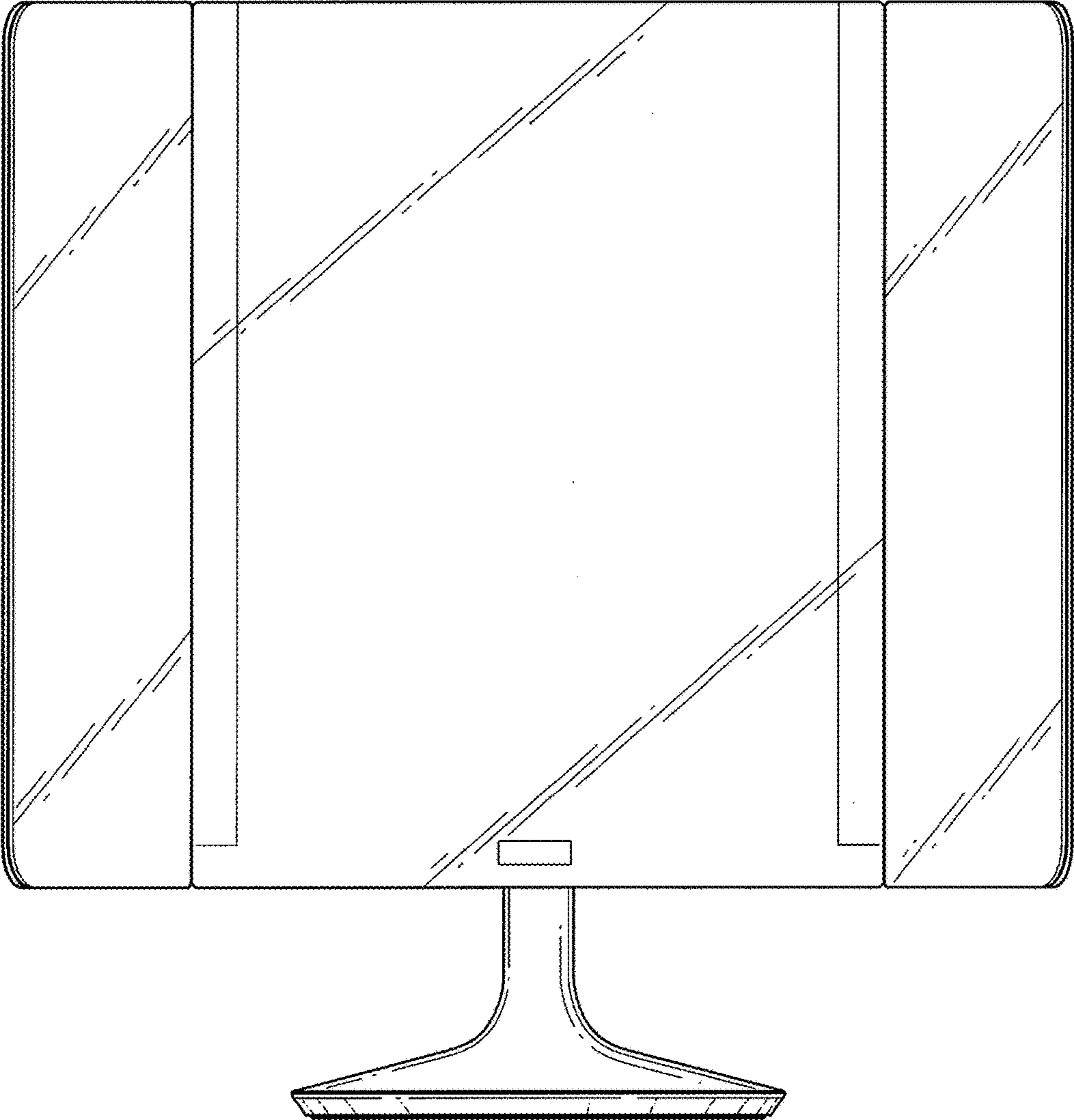


FIG. 8

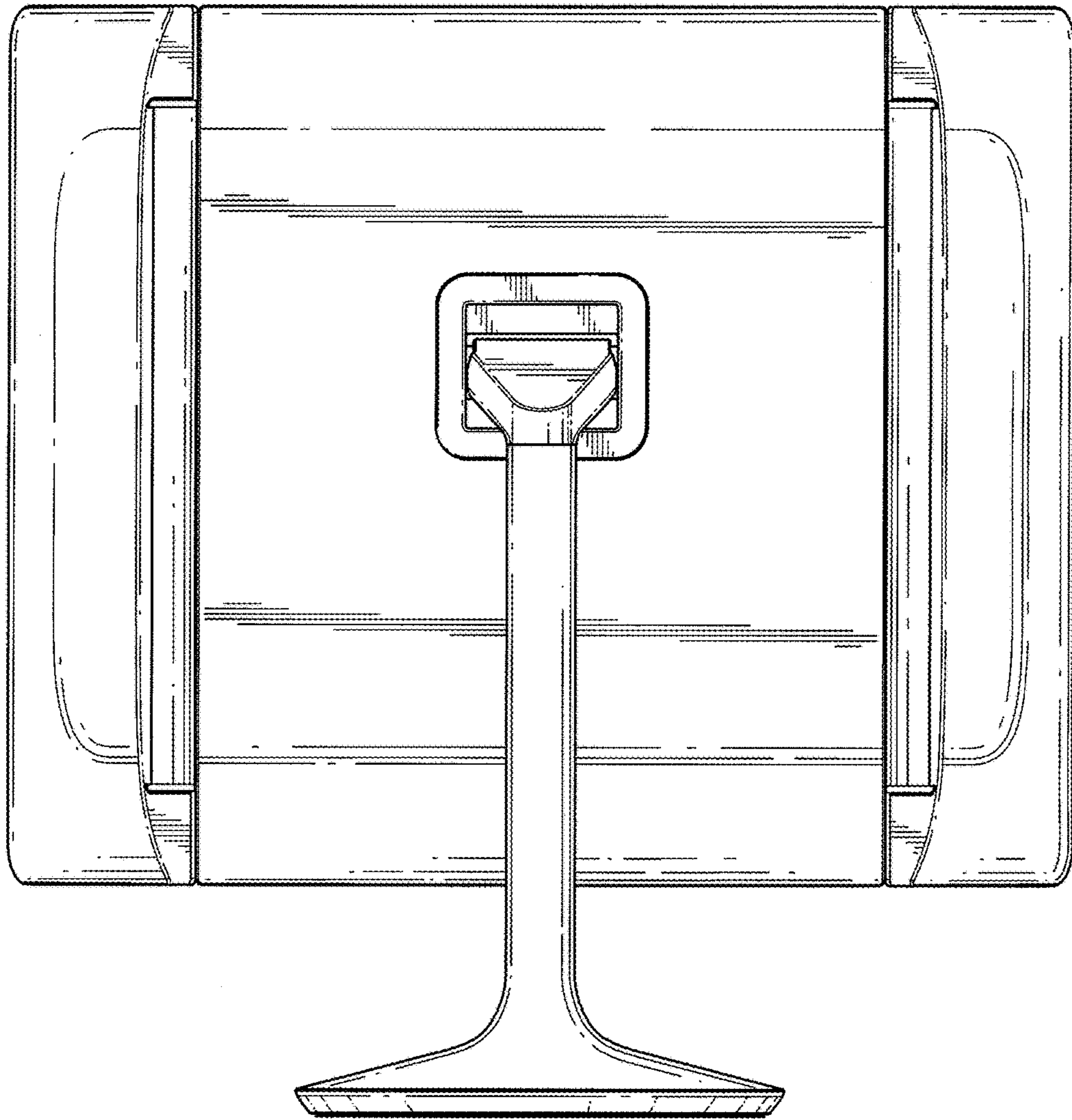


FIG. 9

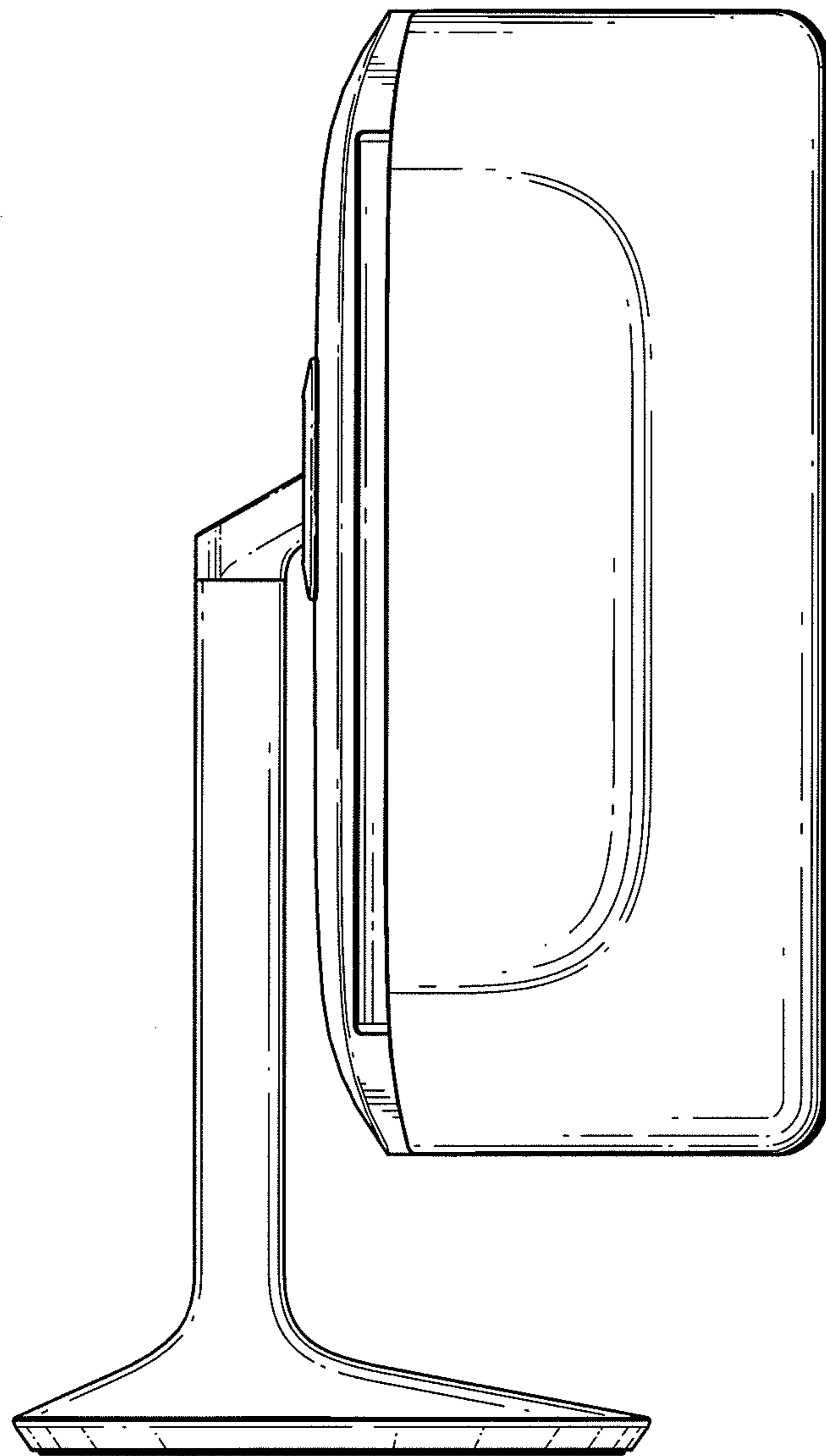


FIG. 10

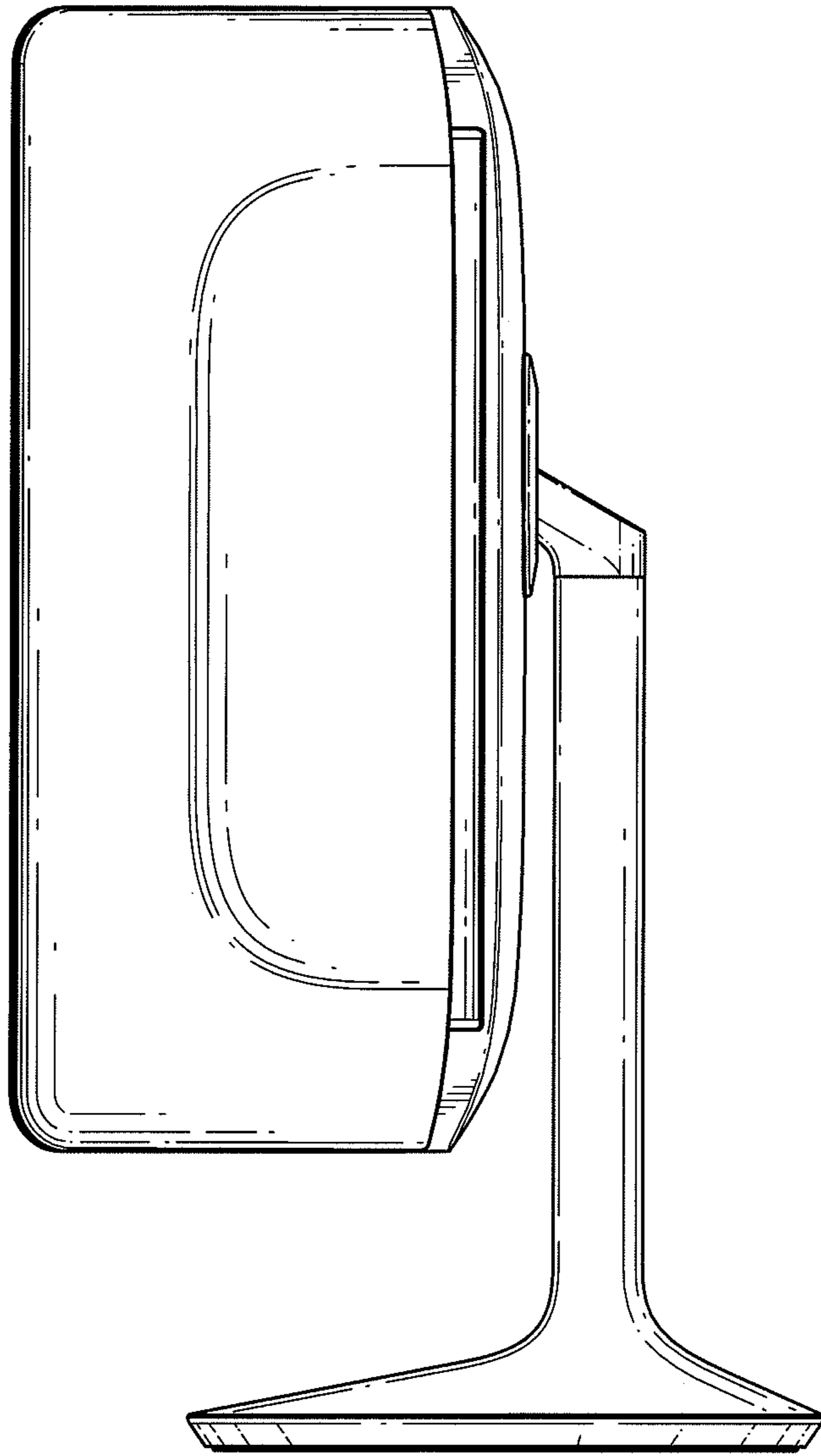


FIG. 11

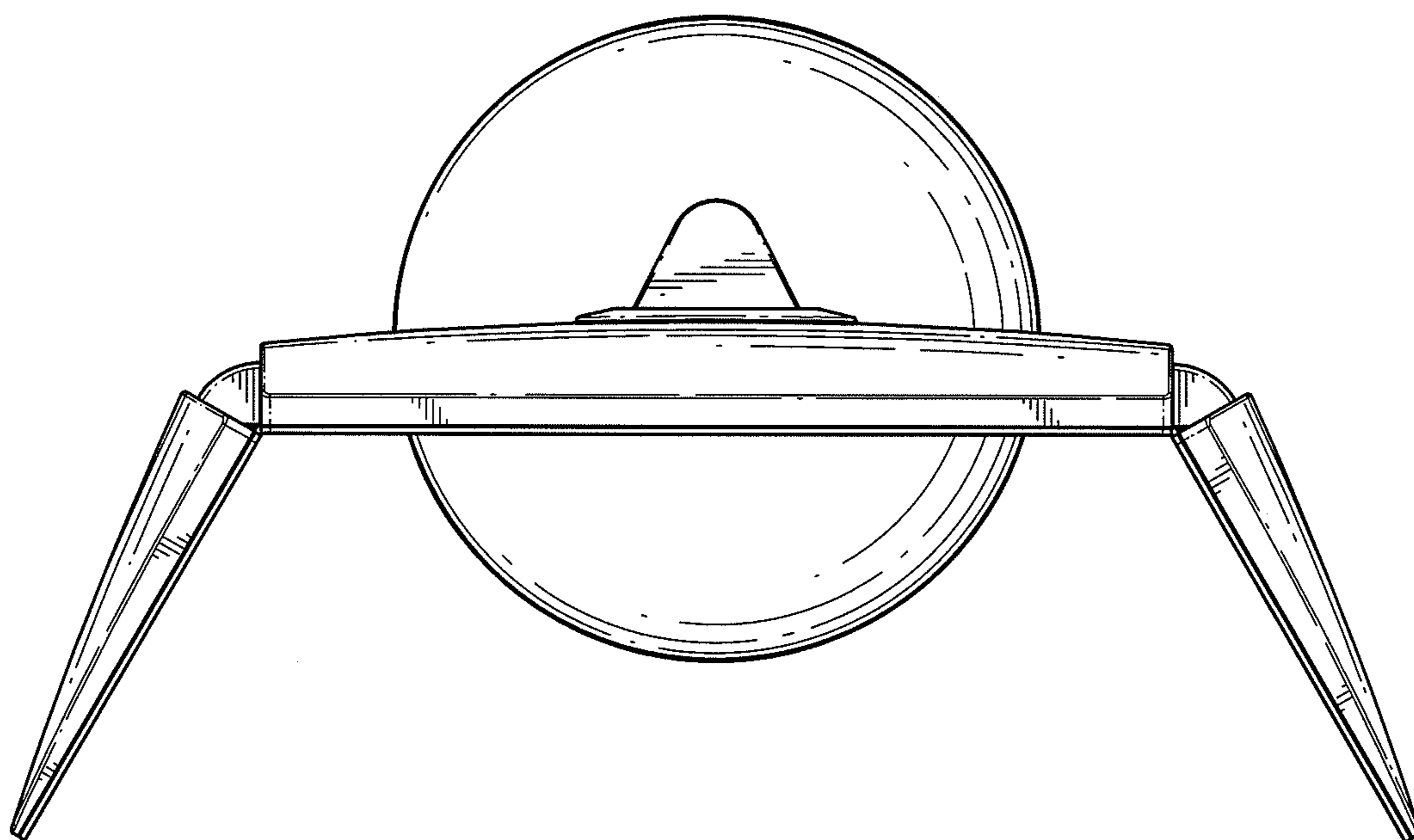


FIG. 12

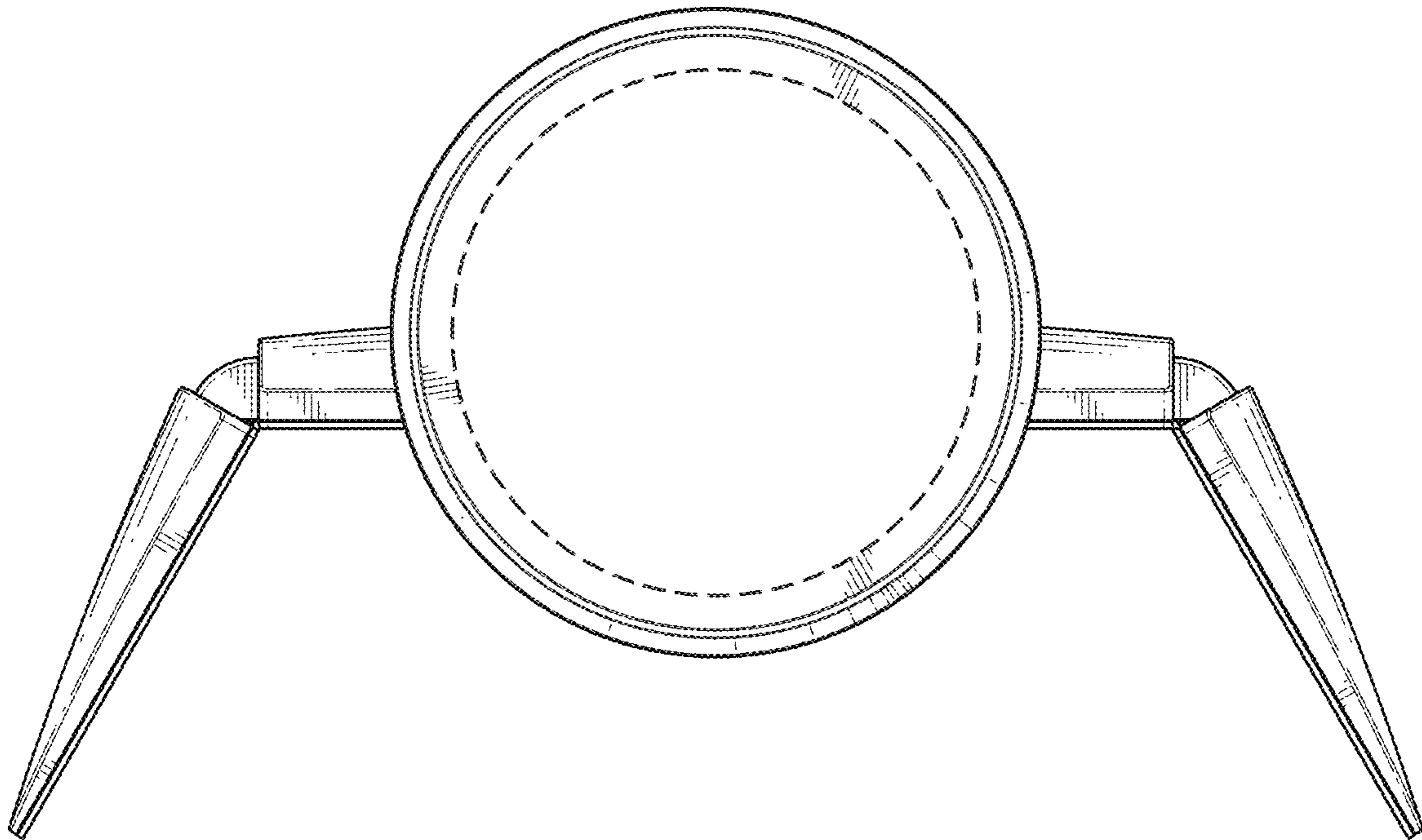


FIG. 13

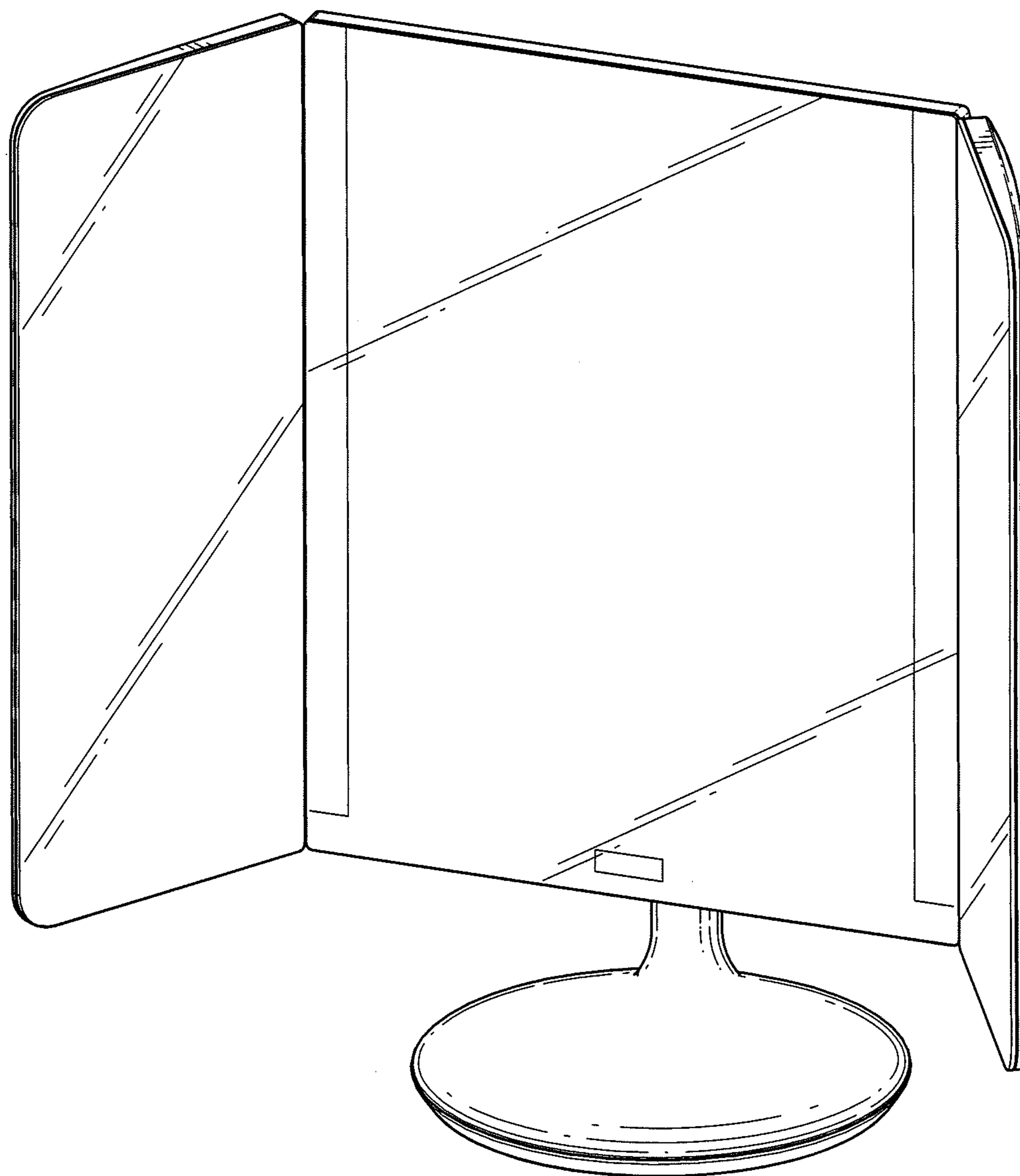


FIG. 14