



US00D785343S

(12) **United States Design Patent**  
**Goodwin**

(10) **Patent No.:** **US D785,343 S**

(45) **Date of Patent:** **\*\* May 2, 2017**

(54) **MUSIC THEMED FRAME**

(71) Applicant: **Strategic Property Transformation, LLC**, Westerville, OH (US)

(72) Inventor: **Schylar D. Goodwin**, Westerville, OH (US)

(\*\*) Term: **14 Years**

(21) Appl. No.: **29/517,644**

(22) Filed: **Feb. 13, 2015**

(51) **LOC (10) Cl.** ..... **06-07**

(52) **U.S. Cl.**  
USPC ..... **D6/303**

(58) **Field of Classification Search**  
USPC ..... D6/300-312, 314-316, 326, 674;  
D9/414; D11/131-164; D17/14, 24  
CPC ..... A47G 2001/005; A47G 2001/007; A47G  
1/02; A47G 1/06; A47G 1/12  
See application file for complete search history.

(56) **References Cited**

U.S. PATENT DOCUMENTS

2,968,108	A *	1/1961	Knox	.....	A47G 1/14 359/478
D263,185	S *	3/1982	Scholl	.....	D6/300
D338,377	S *	8/1993	Scott, Jr.	.....	D11/155
D394,959	S *	6/1998	Kwan	.....	D6/300
D402,229	S *	12/1998	Christensen	.....	D11/155
6,158,828	A *	12/2000	Vacovsky	.....	A47F 3/005 312/114
7,146,760	B2 *	12/2006	Yiu	.....	A47F 3/001 312/114
D614,680	S *	4/2010	Tanbour	.....	D16/134
D651,121	S *	12/2011	Grimme	.....	D11/143

D676,029	S *	2/2013	Stifal	.....	D14/239
D690,291	S *	9/2013	Stifal	.....	D14/239
D731,941	S *	6/2015	Spencer	.....	D12/193
2012/0146470	A1 *	6/2012	Katz	.....	E05D 5/023 312/225

FOREIGN PATENT DOCUMENTS

CN 303681166 \* 5/2016

\* cited by examiner

*Primary Examiner* — Thomas Johannes

*Assistant Examiner* — Melvin Davis

(74) *Attorney, Agent, or Firm* — Christine M. Cooper

(57) **CLAIM**

The ornamental design for a music themed frame, as shown and described.

**DESCRIPTION**

FIG. 1 is a front perspective view of a music themed frame showing my new design;

FIG. 2 is a front elevational view thereof, wherein the protruding internal detail on the right inner wall of the music themed frame is a broken line and is not part of the claimed design;

FIG. 3 is a rear elevational view thereof, wherein the rear innermost surface inside the broken line is not part of the claimed design;

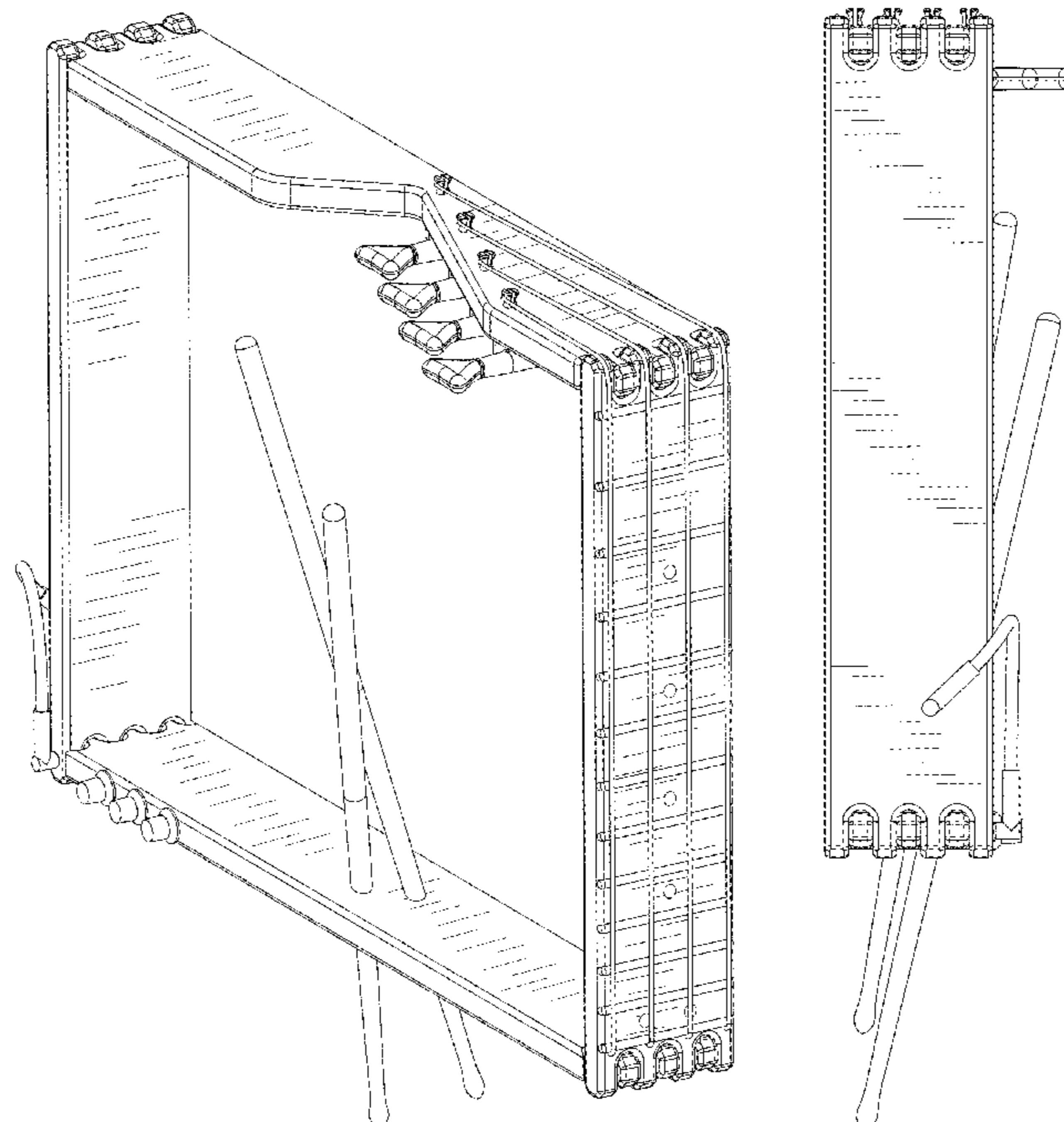
FIG. 4 is a right side elevational view thereof;

FIG. 5 is a left side elevational view thereof;

FIG. 6 is a top plan view thereof; and,

FIG. 7 is a bottom plan view thereof, wherein the broken line on the lower edge is not part of the claimed design.

**1 Claim, 5 Drawing Sheets**



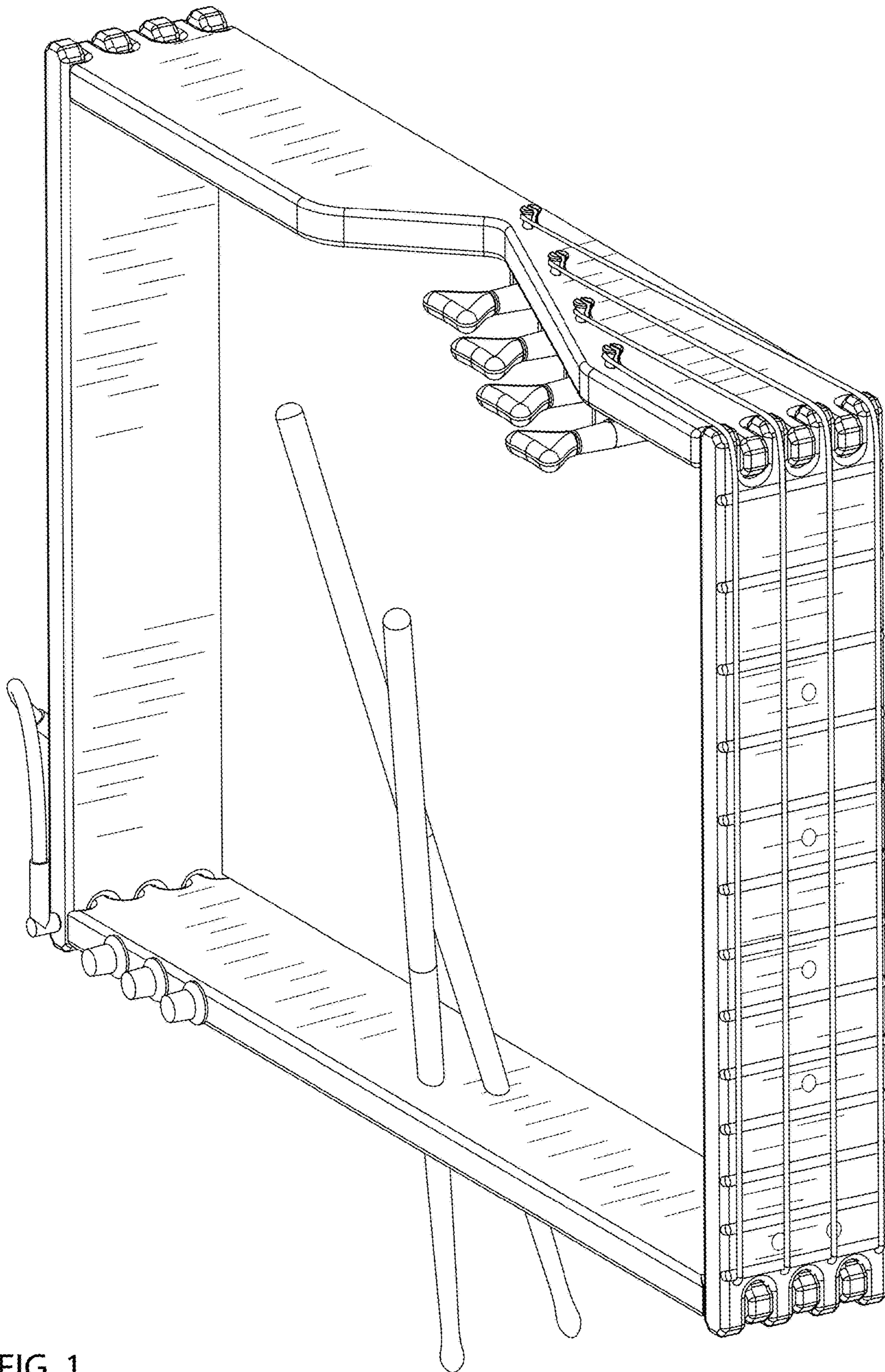


FIG. 1

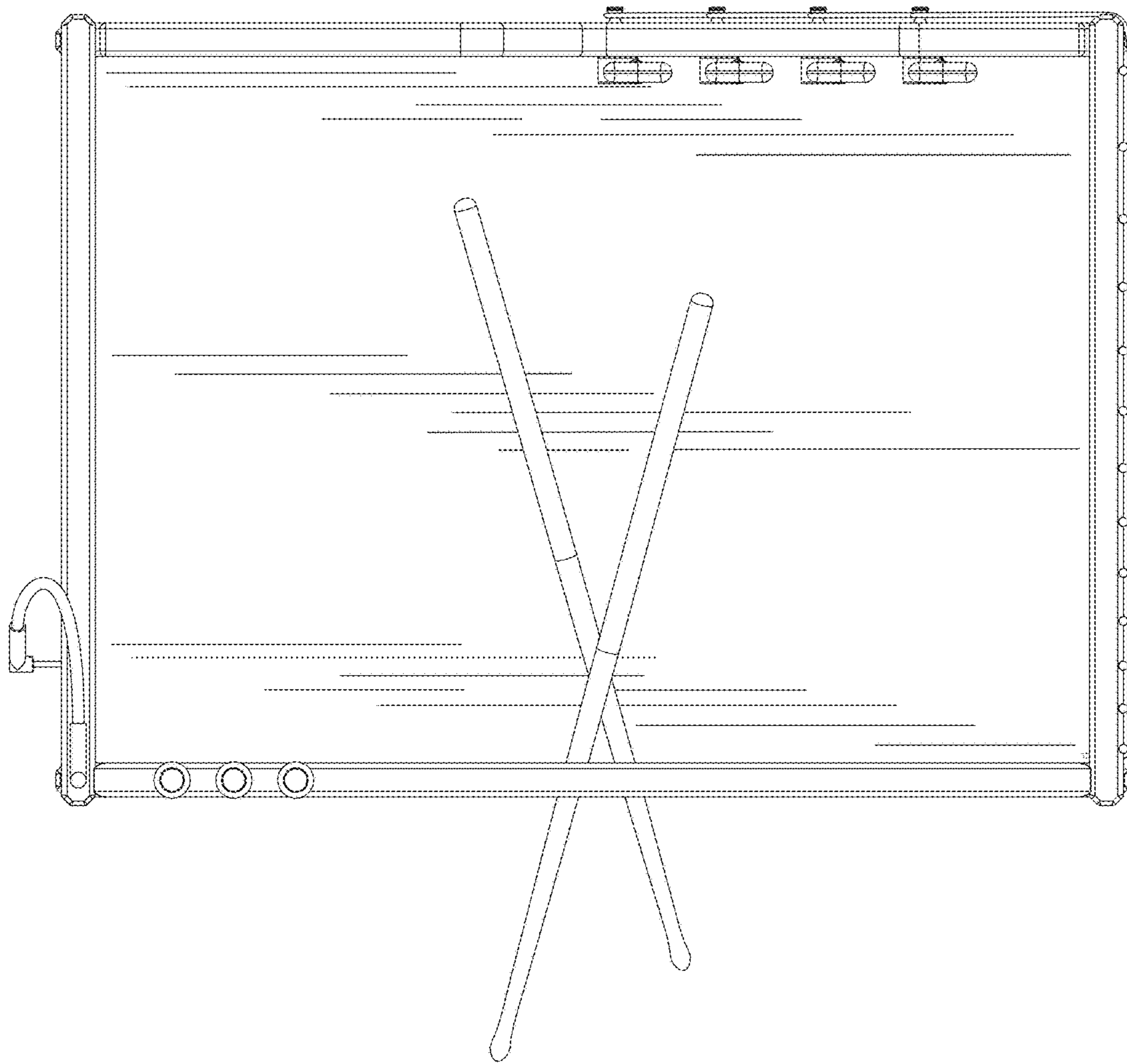


FIG. 2

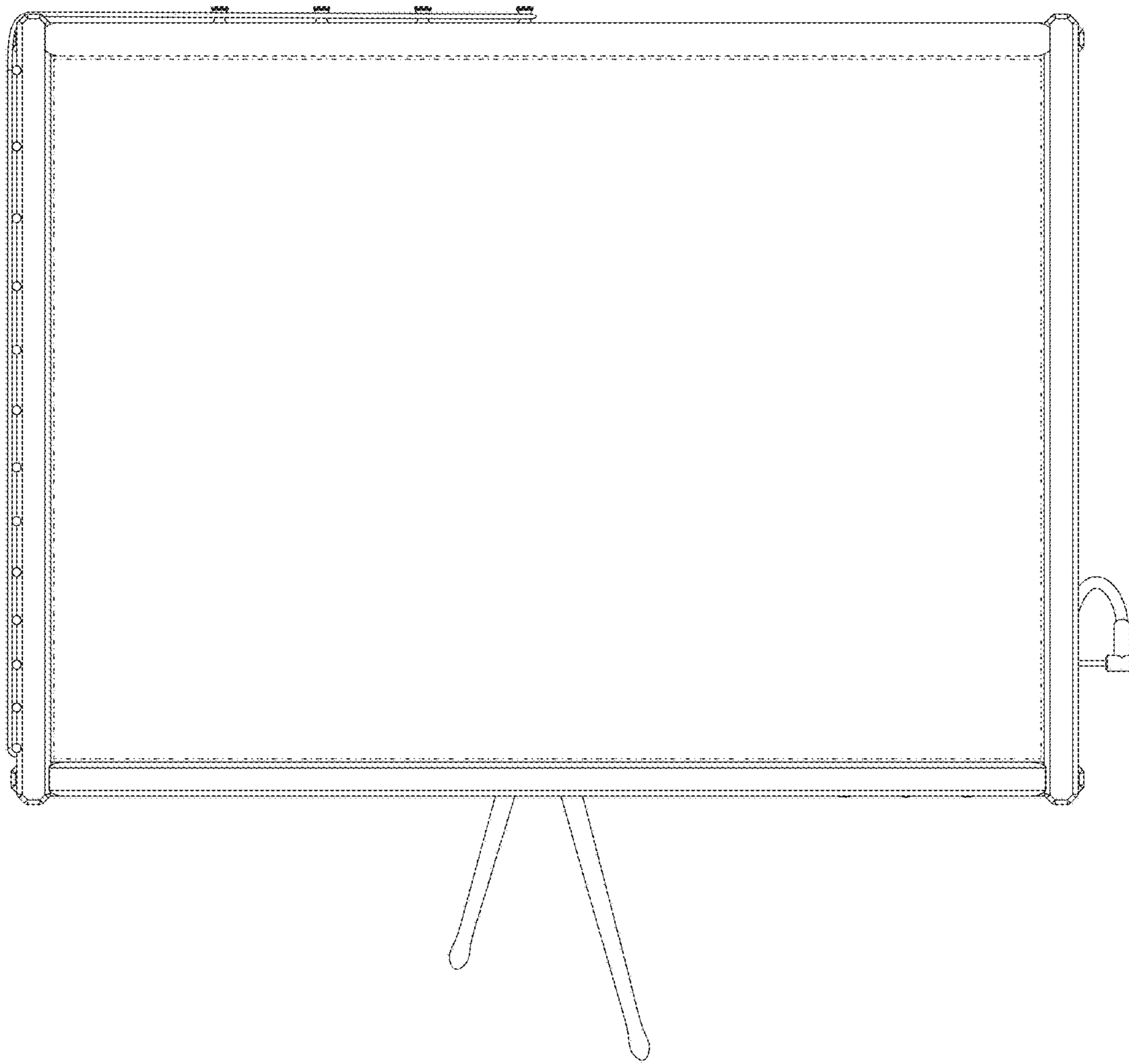


FIG. 3

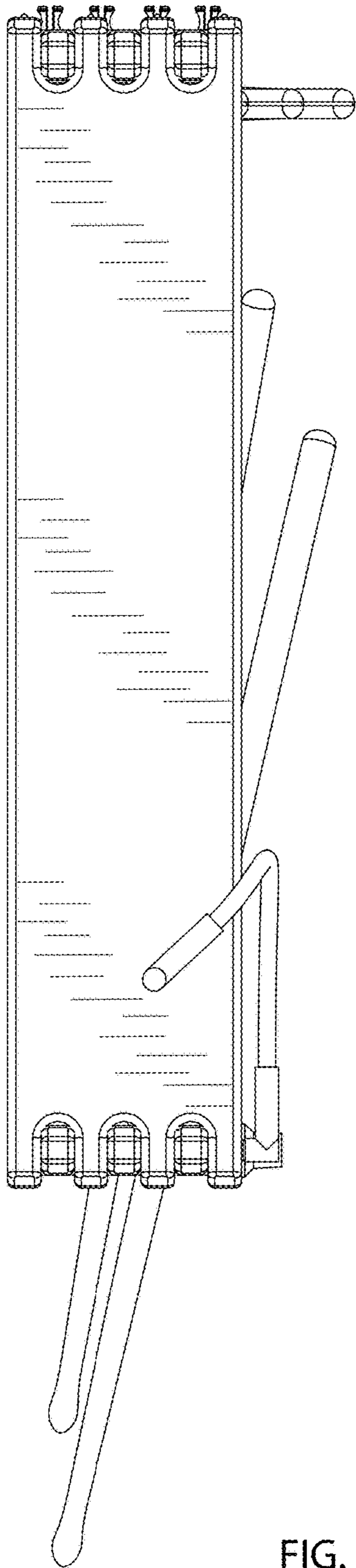


FIG. 4

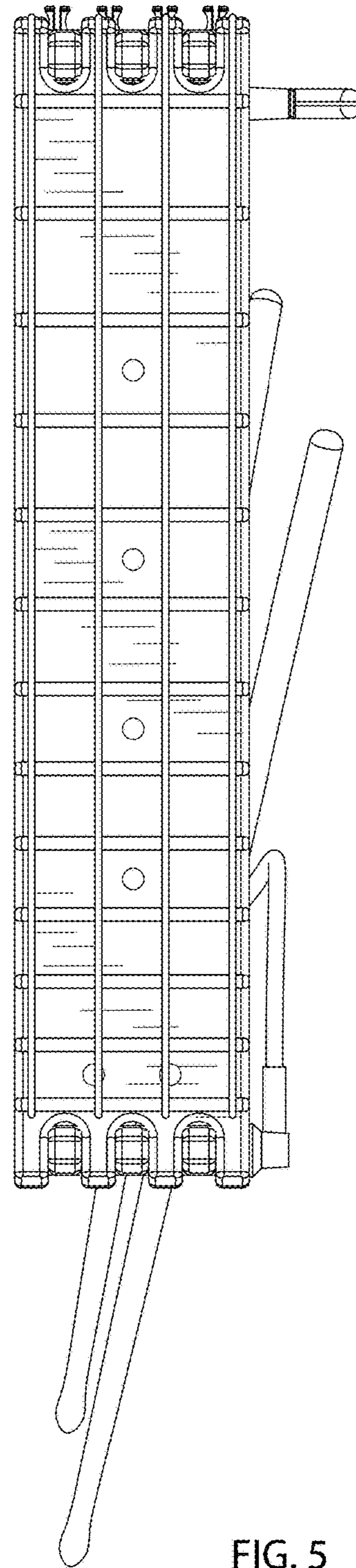


FIG. 5

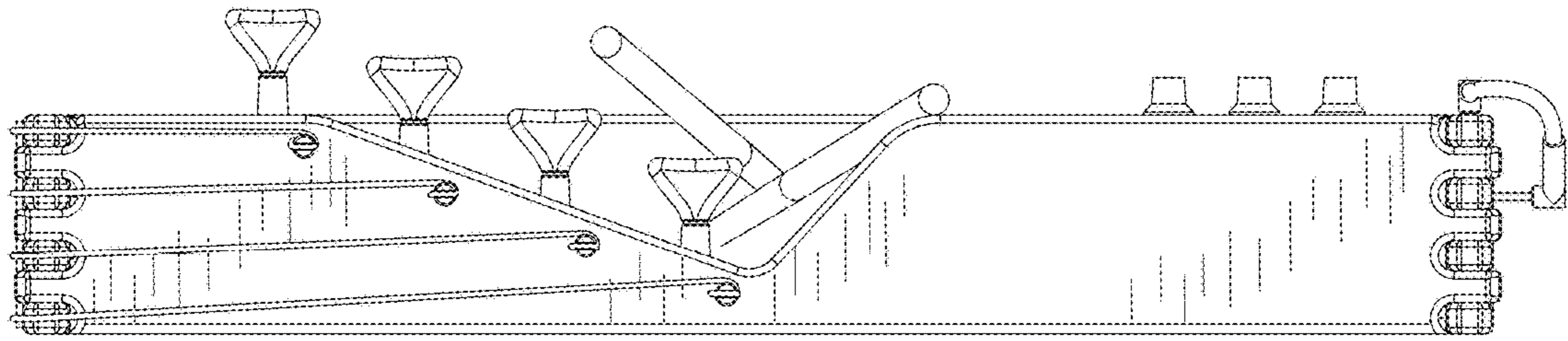


FIG. 6

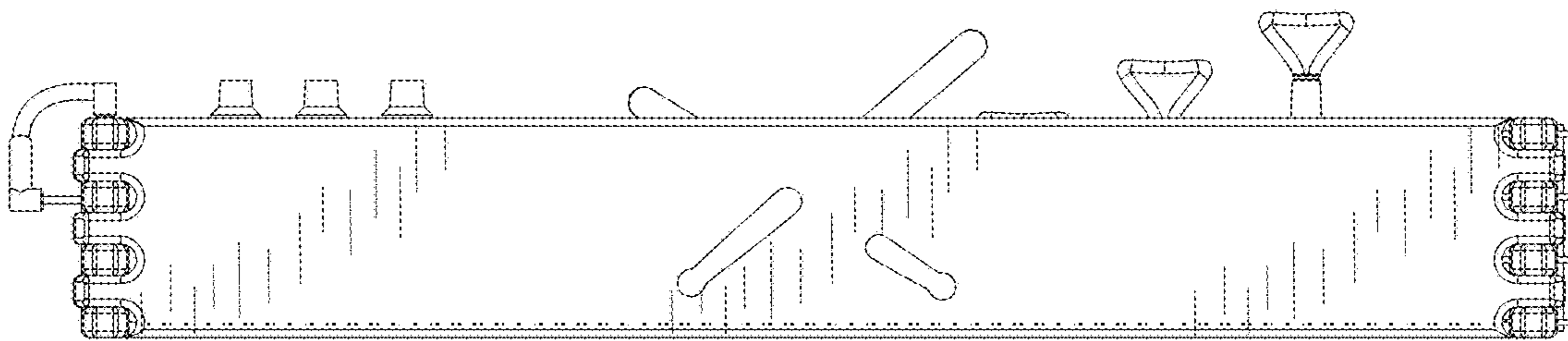


FIG. 7