



US00D785338S

(12) **United States Design Patent** (10) **Patent No.:** **US D785,338 S**  
**Henningsen** (45) **Date of Patent:** **\*\* May 2, 2017**

(54) **AUTOMOTIVE SNOW BRUSH WITH SQUEEGEE**

(71) Applicant: **Richard Henningsen**, Glen Head, NY (US)

(72) Inventor: **Richard Henningsen**, Glen Head, NY (US)

(\*\*) Term: **14 Years**

(21) Appl. No.: **29/497,513**

(22) Filed: **Jul. 25, 2014**

**Related U.S. Application Data**

(62) Division of application No. 13/613,097, filed on Sep. 13, 2012, now Pat. No. 9,345,314.

(51) **LOC (10) Cl.** ..... **04-01**

(52) **U.S. Cl.**  
USPC ..... **D4/118; D32/43; D32/49**

(58) **Field of Classification Search**  
USPC ..... D8/33, 47, 90, 93; D4/118, 199;  
D32/40-42, 46-49; D7/693, 694, 682;  
D24/146, 147; D21/370, 377;  
D28/21-31

CPC ..... A01G 23/12; A01F 11/06; A47L 13/08;  
A47L 15/0081; A47J 43/288; A46B  
15/0002; A46B 15/0055

See application file for complete search history.

(56) **References Cited**

**U.S. PATENT DOCUMENTS**

D269,054 S *	5/1983	Bauer	.....	D32/49
D335,771 S *	5/1993	Mallory	.....	D32/42
D346,903 S *	5/1994	Hillmer	.....	D32/42
D441,198 S *	5/2001	Primeau	.....	D32/42
6,243,906 B1 *	6/2001	Holliday	.....	A46B 15/0055 15/111

6,481,041 B1 *	11/2002	Ingram	.....	A46B 5/0075 15/111
D485,032 S *	1/2004	Anderson	.....	D32/42
D501,727 S *	2/2005	Liu	.....	D4/118
D560,364 S *	1/2008	Barnes	.....	D4/118
D561,999 S *	2/2008	Liu	.....	D4/118
D562,000 S *	2/2008	Liu	.....	D4/118
D562,565 S *	2/2008	Liu	.....	D4/118
D652,218 S *	1/2012	Hoffelner	.....	D4/118
D656,736 S *	4/2012	Hoffelner	.....	D4/118
8,312,589 B1 *	11/2012	Thomas	.....	A47L 1/16 15/236.01
D685,554 S *	7/2013	Malvasio	.....	D32/40
D704,449 S *	5/2014	Ihde	.....	D4/118
D722,213 S *	2/2015	Cohen	.....	D32/50
D760,460 S *	6/2016	Kunnas	.....	D32/40
2004/0250365 A1 *	12/2004	Anderson	.....	A46B 15/0081 15/111
2007/0234497 A1 *	10/2007	Lee	.....	A47L 13/12 15/144.1

(Continued)

*Primary Examiner* — John Windmuller

(74) *Attorney, Agent, or Firm* — Gottlieb, Rackman & Reisman, PC

(57) **CLAIM**

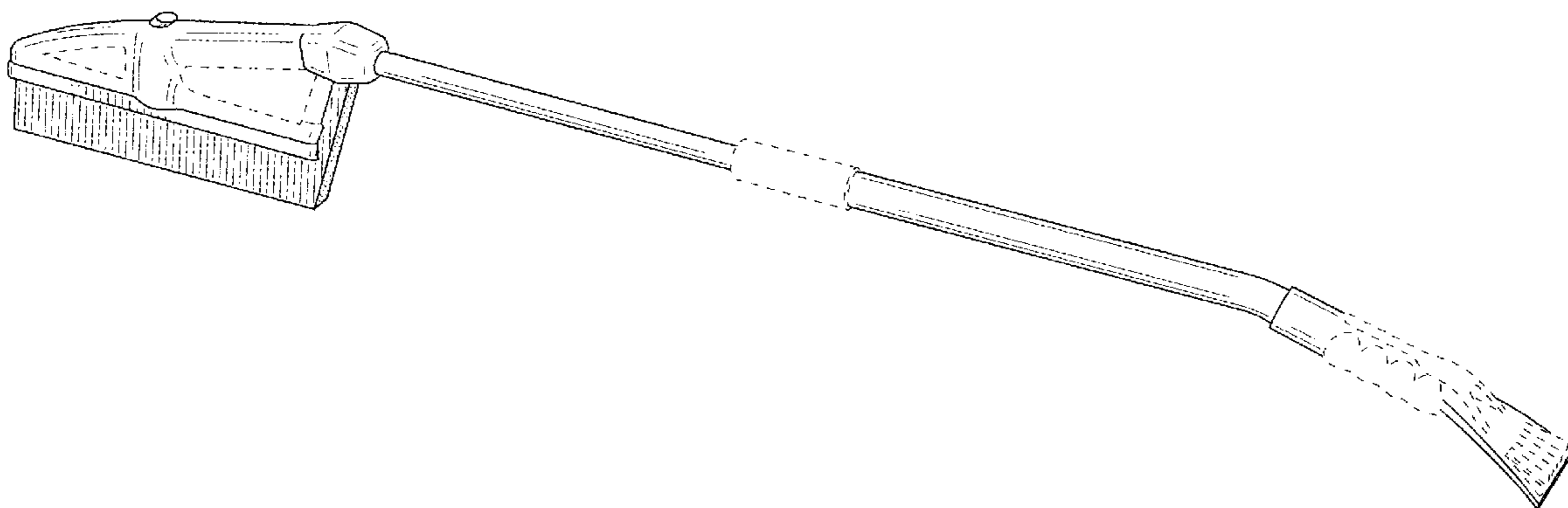
The ornamental design for an automotive snow brush with squeegee, as shown and described.

**DESCRIPTION**

FIG. 1 is a perspective view of the automotive snow brush with squeegee showing my new design;  
FIG. 2 is a front elevational view thereof;  
FIG. 3 is a rear elevational view thereof;  
FIG. 4 is a top plan view thereof;  
FIG. 5 is a bottom plan view thereof;  
FIG. 6 is a right side view thereof; and,  
FIG. 7 is a left side view thereof.

The broken lines in the figures depict portions of the automotive snow brush with squeegee that form no part of the claimed design.

**1 Claim, 5 Drawing Sheets**



(56)

**References Cited**

U.S. PATENT DOCUMENTS

2009/0183330 A1\* 7/2009 Jiang ..... B25G 1/04  
15/144.4  
2011/0188923 A1\* 8/2011 Lafleur ..... A46B 5/0075  
403/53

\* cited by examiner

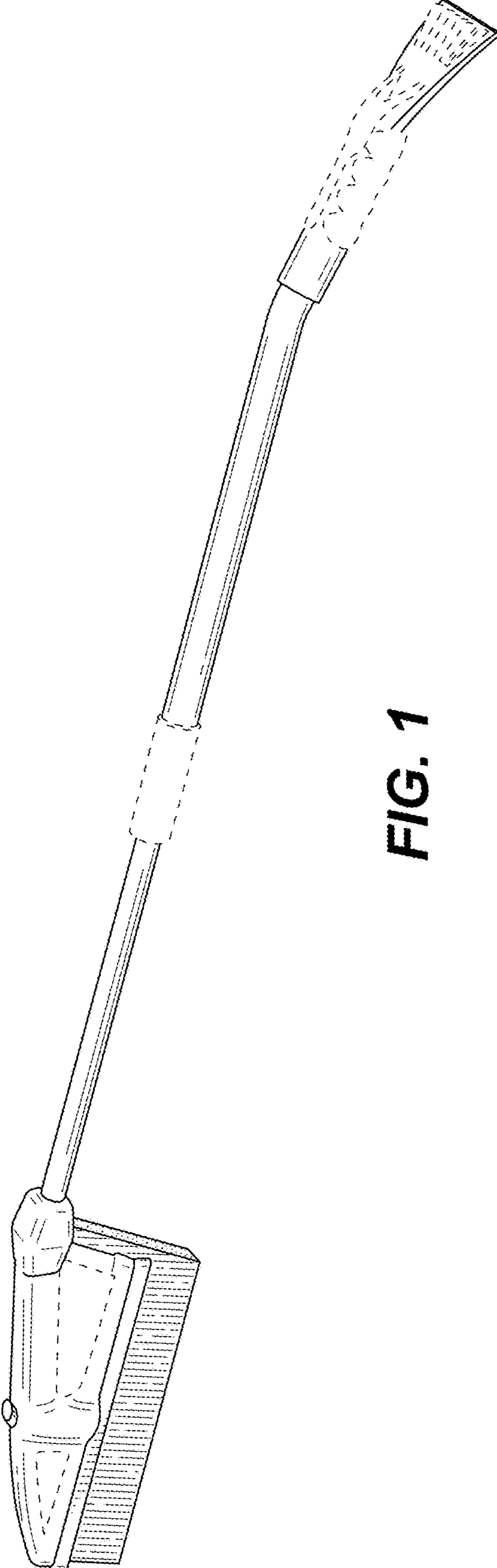


FIG. 1

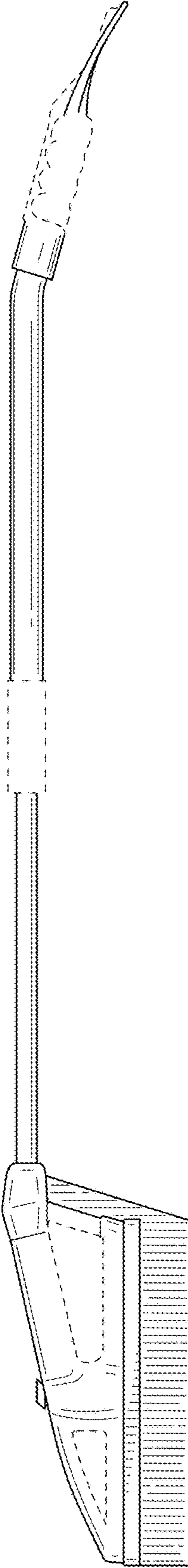
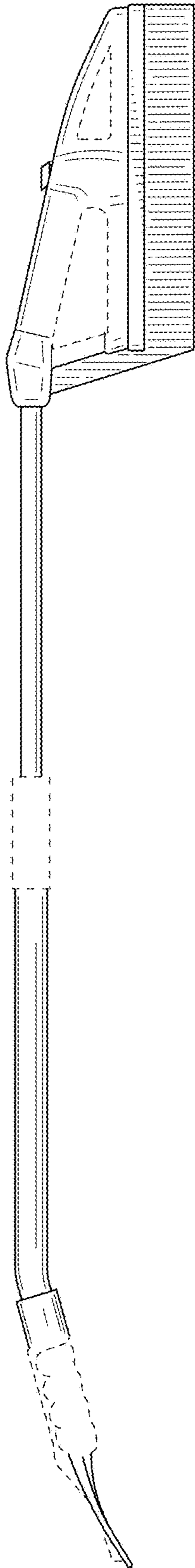
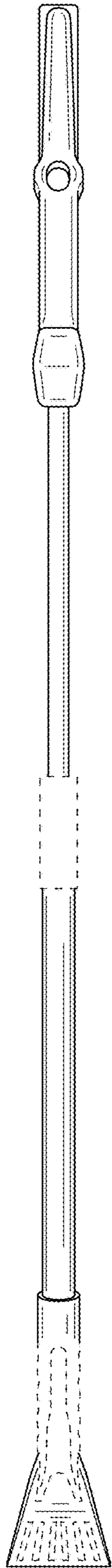


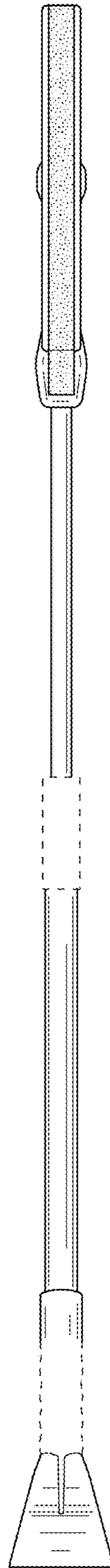
FIG. 2



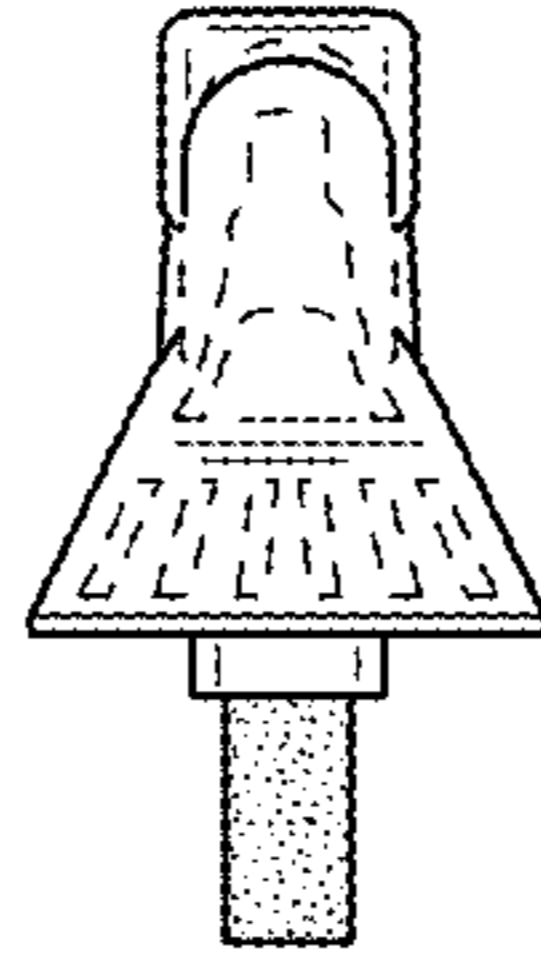
**FIG. 3**



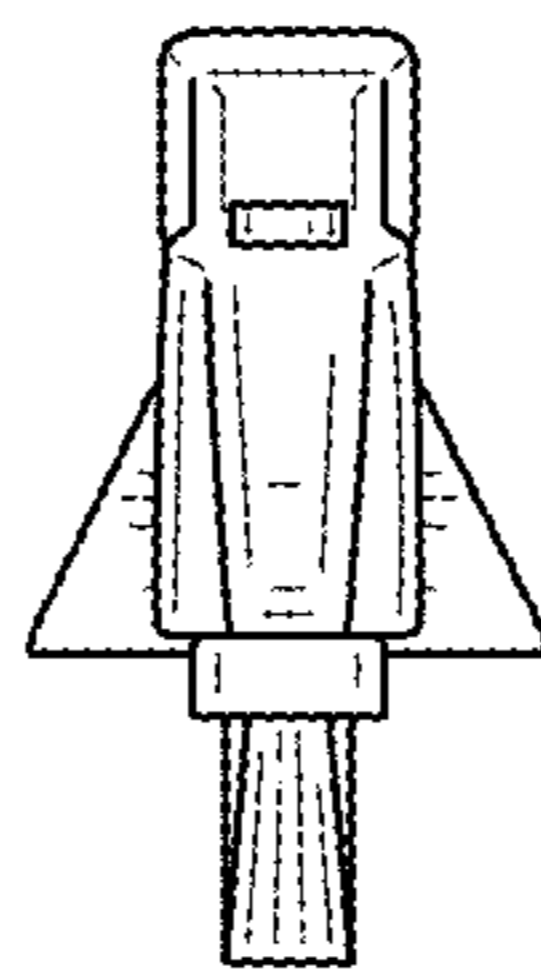
**FIG. 4**



**FIG. 5**



**FIG. 6**



**FIG. 7**