



US00D785335S

(12) **United States Design Patent**
Halliday

(10) **Patent No.:** **US D785,335 S**

(45) **Date of Patent:** **** May 2, 2017**

(54) **REMOVABLE HANDBAG ORGANIZER WITH INSERT**

D712,661 S * 9/2014 McDonnell D3/319

* cited by examiner

(71) Applicant: **Madeline Ho Halliday**, Santa Rosa, CA (US)

Primary Examiner — Holly Baynham

(72) Inventor: **Madeline Ho Halliday**, Santa Rosa, CA (US)

(57) **CLAIM**

The ornamental design for a removable handbag organizer with insert, as shown and described.

(**) Term: **15 Years**

DESCRIPTION

(21) Appl. No.: **29/559,544**

(22) Filed: **Mar. 29, 2016**

(51) **LOC (10) Cl.** **03-01**

(52) **U.S. Cl.**
USPC **D3/319**

(58) **Field of Classification Search**
USPC D3/319
CPC A45C 13/06; A45C 13/18
See application file for complete search history.

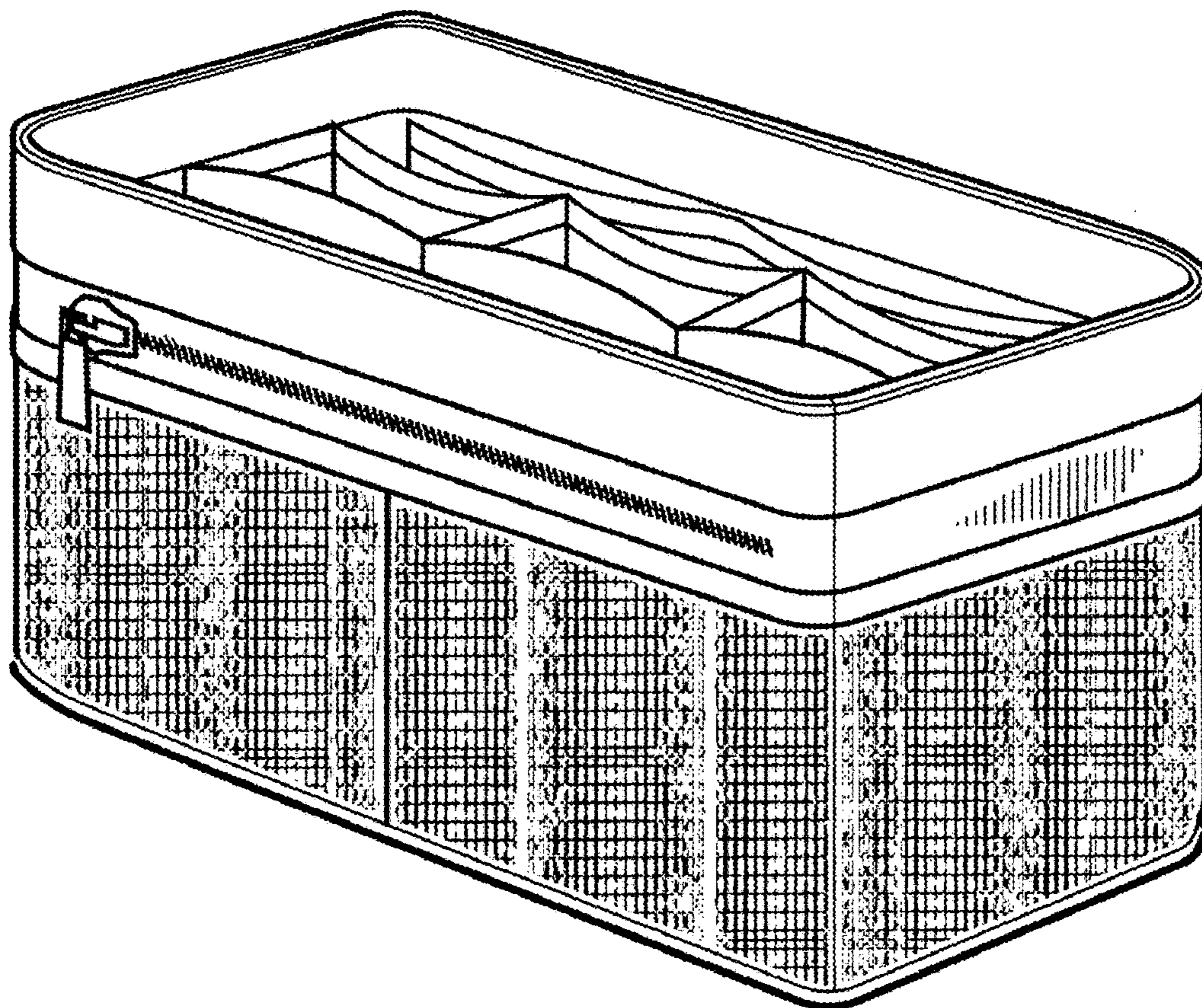
FIG. 1 is a front right perspective view of a removable handbag organizer with insert showing my new design; FIG. 2 is a top plan view thereof; FIG. 3 is a right, perspective view of the insert shown detached for clarity of illustration; FIG. 4 is an external front right perspective view thereof; FIG. 5 is a right side plan view thereof; and, FIG. 6 is an external front left perspective view thereof. The bottom of the organizer is flat and unornamented. My removable handbag organizer is characterized by internal and external pockets, a right side zippered pocket and a removable snap-in insert for further organization. The sturdy but flexible fabric organizer is meant to store and organize personal items and be used inside a handbag and/or transferred between multiple handbags.

(56) **References Cited**

U.S. PATENT DOCUMENTS

D334,661 S * 4/1993 Kohn D3/319
D702,944 S * 4/2014 Sanchez D3/319

1 Claim, 3 Drawing Sheets



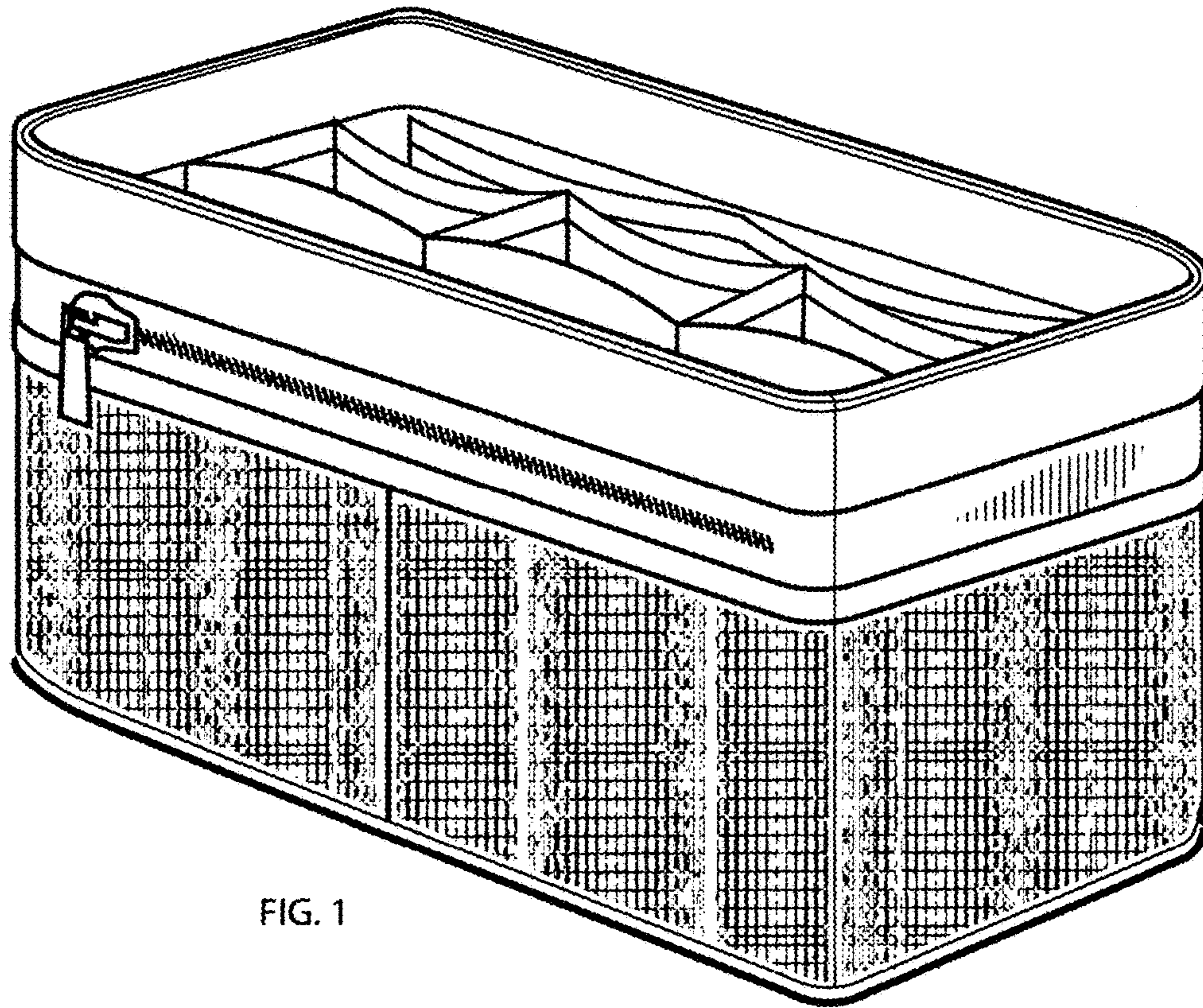


FIG. 1

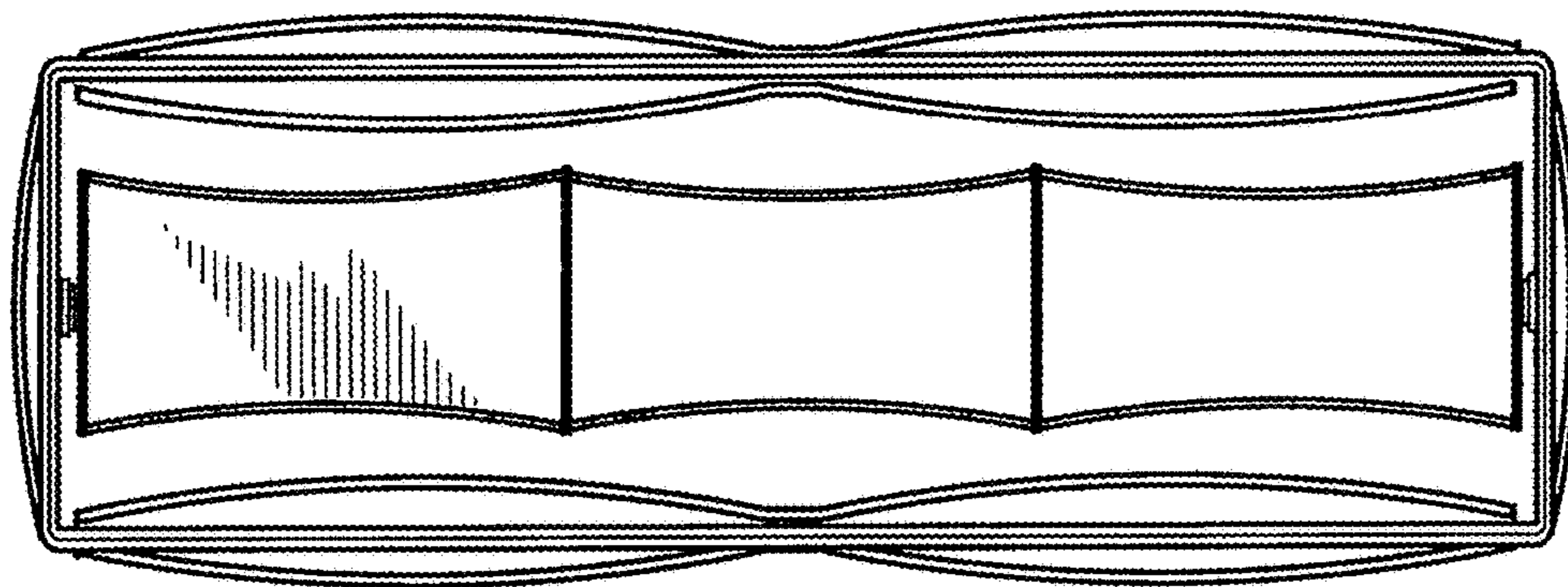


FIG. 2

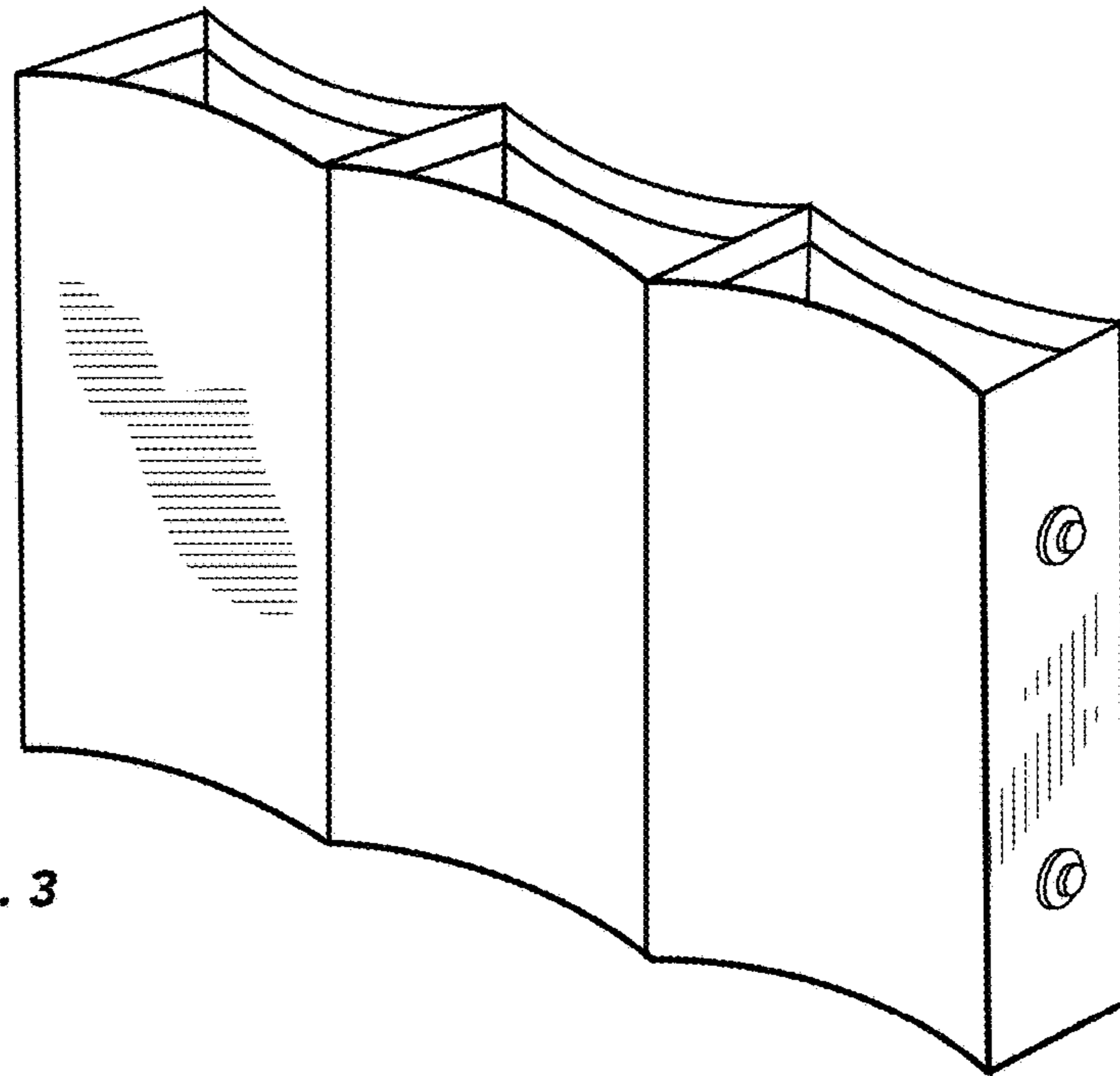


FIG. 3

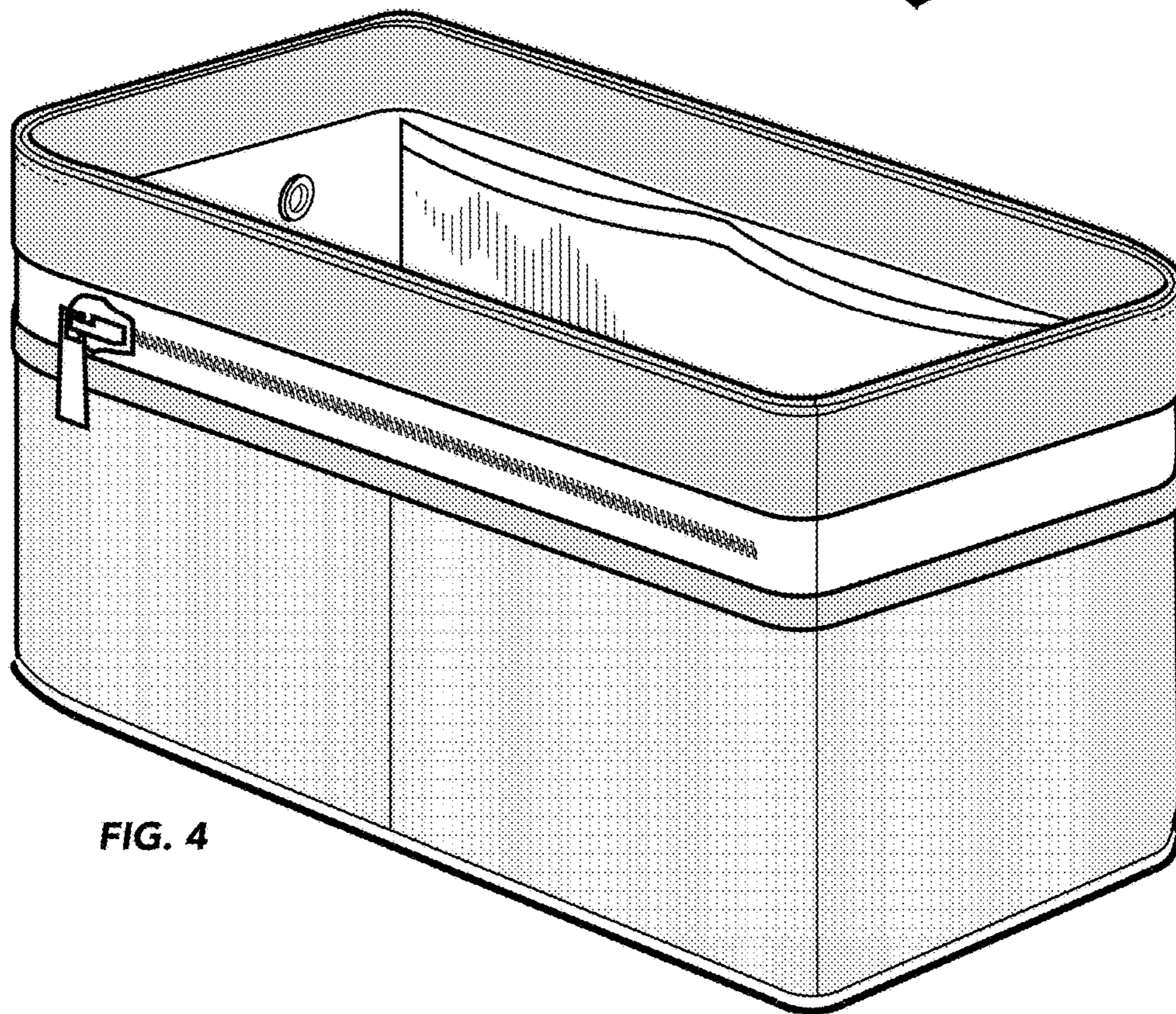


FIG. 4

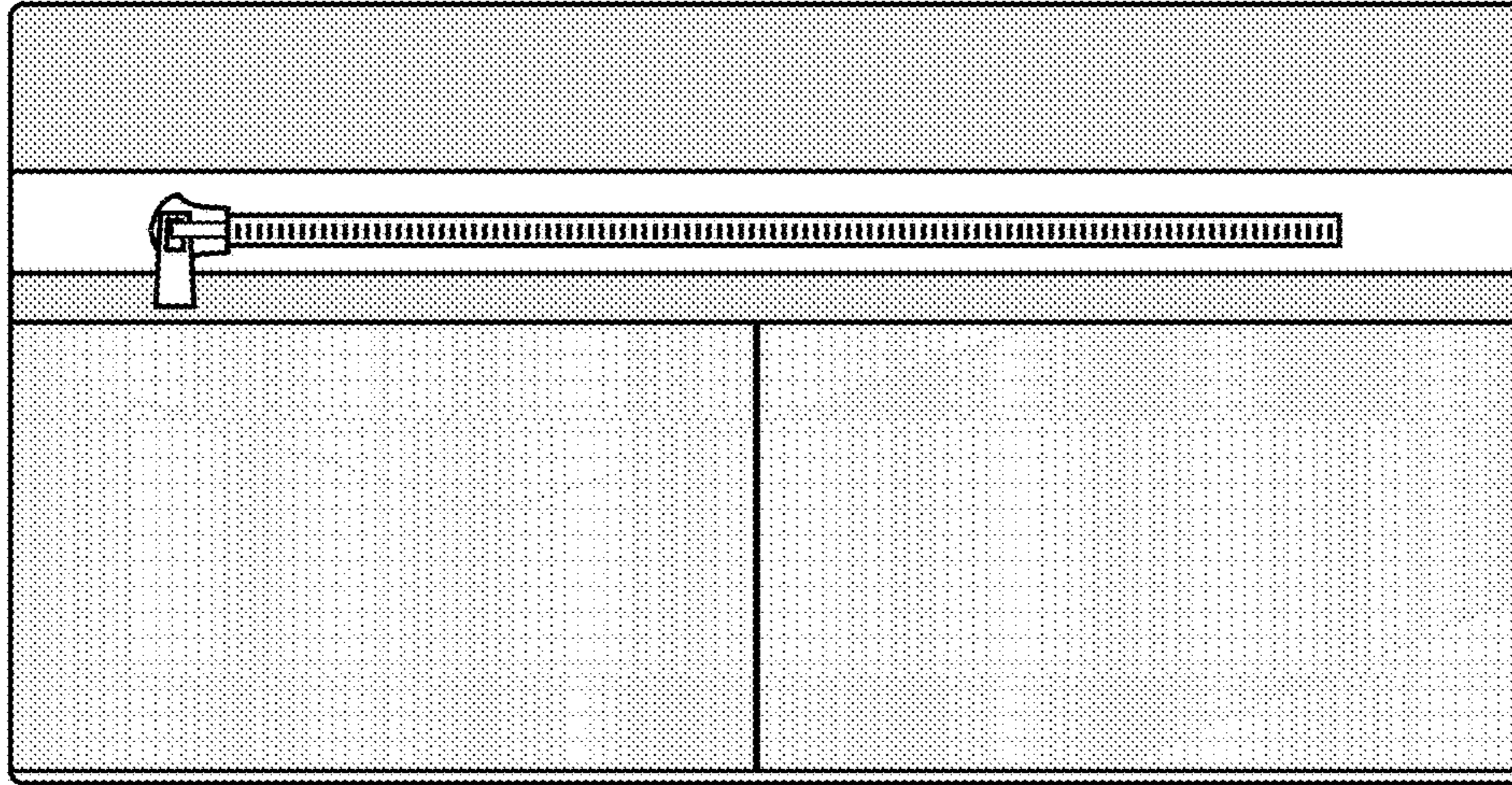


FIG. 5

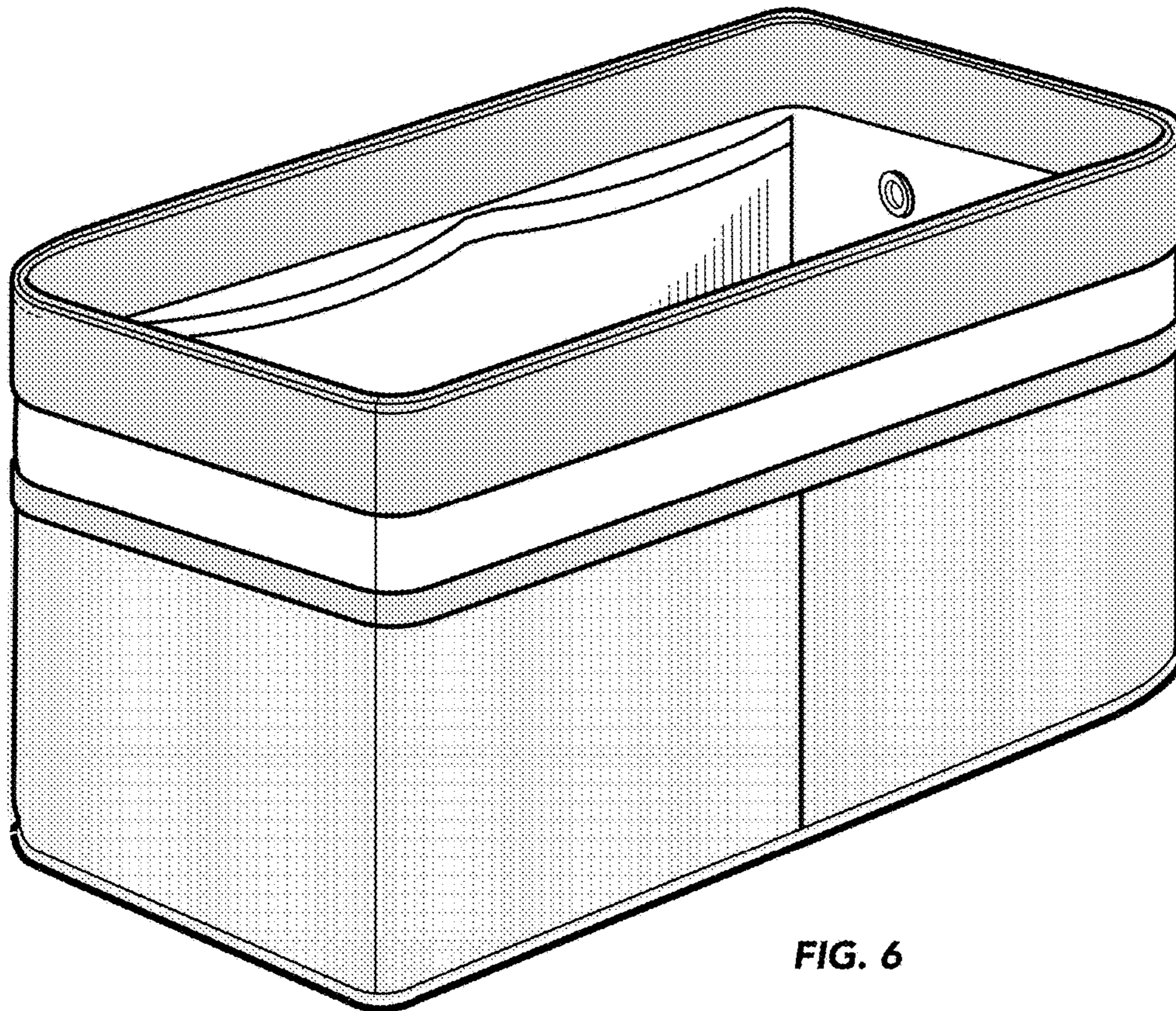


FIG. 6