



US00D785333S

(12) **United States Design Patent**
Goodman et al.

(10) **Patent No.: US D785,333 S**

(45) **Date of Patent: ** *May 2, 2017**

(54) **STACKABLE BASKET**

(71) Applicant: **Spectrum Diversified Designs, Inc.**,
Streetsboro, OH (US)

(72) Inventors: **Sheldon H. Goodman**, Solon, OH
(US); **Phaysouk Xayoiphonh**, Akron,
OH (US)

(73) Assignee: **Spectrum Diversified Designs, LLC**,
Streetsboro, OH (US)

(*) Notice: This patent is subject to a terminal dis-
claimer.

(**) Term: **14 Years**

(21) Appl. No.: **29/494,621**

(22) Filed: **Jun. 23, 2014**

(51) **LOC (10) Cl.** **03-01**

(52) **U.S. Cl.**
USPC **D3/307**

(58) **Field of Classification Search**
USPC D3/304–307, 314–315; D6/566–567,
D6/572–574, 672–673, 678, 678.4;
206/509, 512–513, 557, 821
CPC B65D 21/00; B65D 21/0204
See application file for complete search history.

(56) **References Cited**

U.S. PATENT DOCUMENTS

D193,215 S *	7/1962	Frederick	D3/306
4,337,872 A *	7/1982	Wright	B65D 7/20
				206/513
D296,601 S *	7/1988	Chap	D3/306
D305,272 S *	12/1989	Remmers	D6/513
D477,144 S *	7/2003	Remmers	D3/306
D507,108 S *	7/2005	Suero, Jr.	D3/304
D508,167 S *	8/2005	Anderson	D3/306
D508,321 S *	8/2005	Anderson	D3/306
D526,454 S *	8/2006	Plikuhn	D3/306

D650,175 S *	12/2011	Lee	D3/306
D675,850 S *	2/2013	Tawil	D6/705.6
D723,805 S *	3/2015	Habraken	D3/306
D758,732 S *	6/2016	Goodman	D3/306

OTHER PUBLICATIONS

InterDesign “Chrome Small Stacking Basket”, <http://www.target.com/p/interdesign-chrome-small-stacking-basket/-/A-13991302>,
printed Jan. 8, 2014.

InterDesign “Bronze Large Stacking Basket”, <http://www.target.com/p/interdesign-bronze-large-stacking-basket/-/A13989792>,
printed Jan. 8, 2014.

* cited by examiner

Primary Examiner — Kelley Donnelly

(74) *Attorney, Agent, or Firm* — Benesch, Friedlander,
Coplan & Aronoff LLP

(57) **CLAIM**

What is claimed is the ornamental design for a stackable
basket, as shown and described.

DESCRIPTION

FIG. 1 is a perspective view of a stackable basket showing
a new design;

FIG. 2 is a front view of the stackable basket of FIG. 1;

FIG. 3 is a cross-section taken along line 3-3 of FIG. 2;

FIG. 4 is a rear view of the stackable basket of FIG. 1;

FIG. 5 is a side view of the stackable basket of FIG. 1;

FIG. 6 is a top view of the stackable basket of FIG. 1;

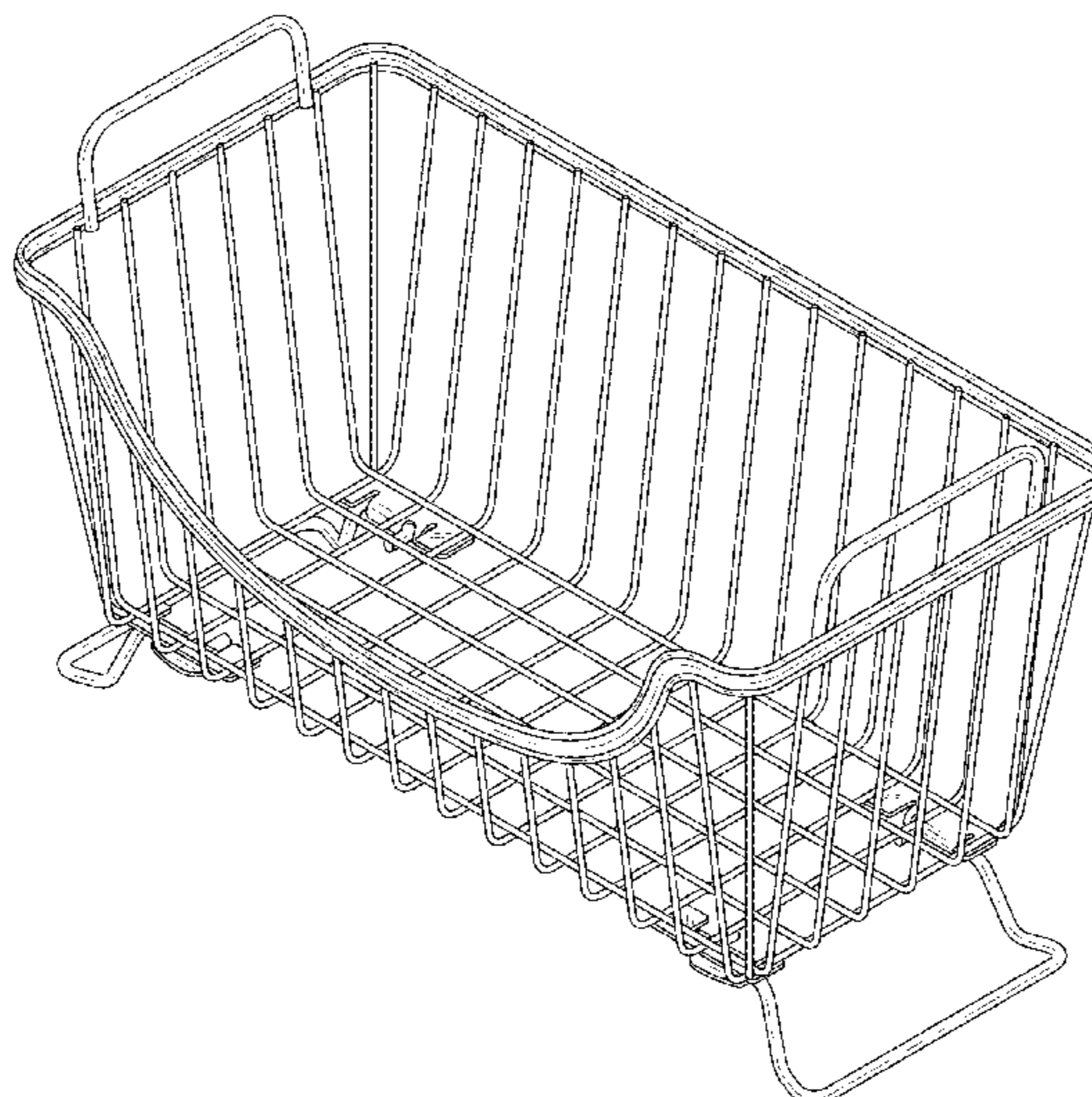
FIG. 7 is a bottom view of the stackable basket of FIG. 1;

FIG. 8 is a perspective view of another embodiment of the
stackable basket of FIG. 1; and,

FIG. 9 is a perspective view of another embodiment of the
stackable basket of FIG. 1.

The broken lines showing is included for the purpose of
illustrating environment and forms no part of the claimed
design.

1 Claim, 5 Drawing Sheets



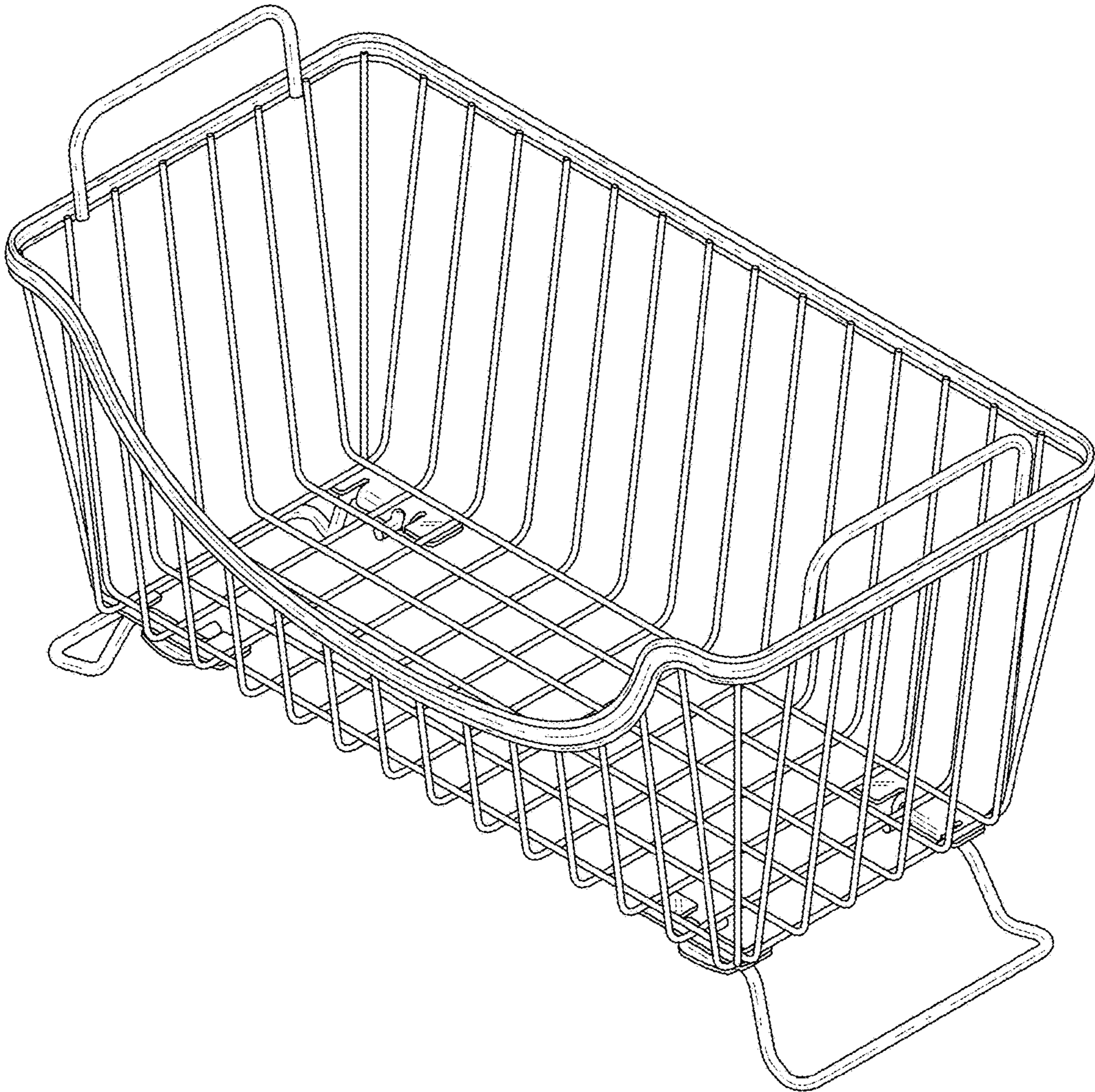


FIG. 1

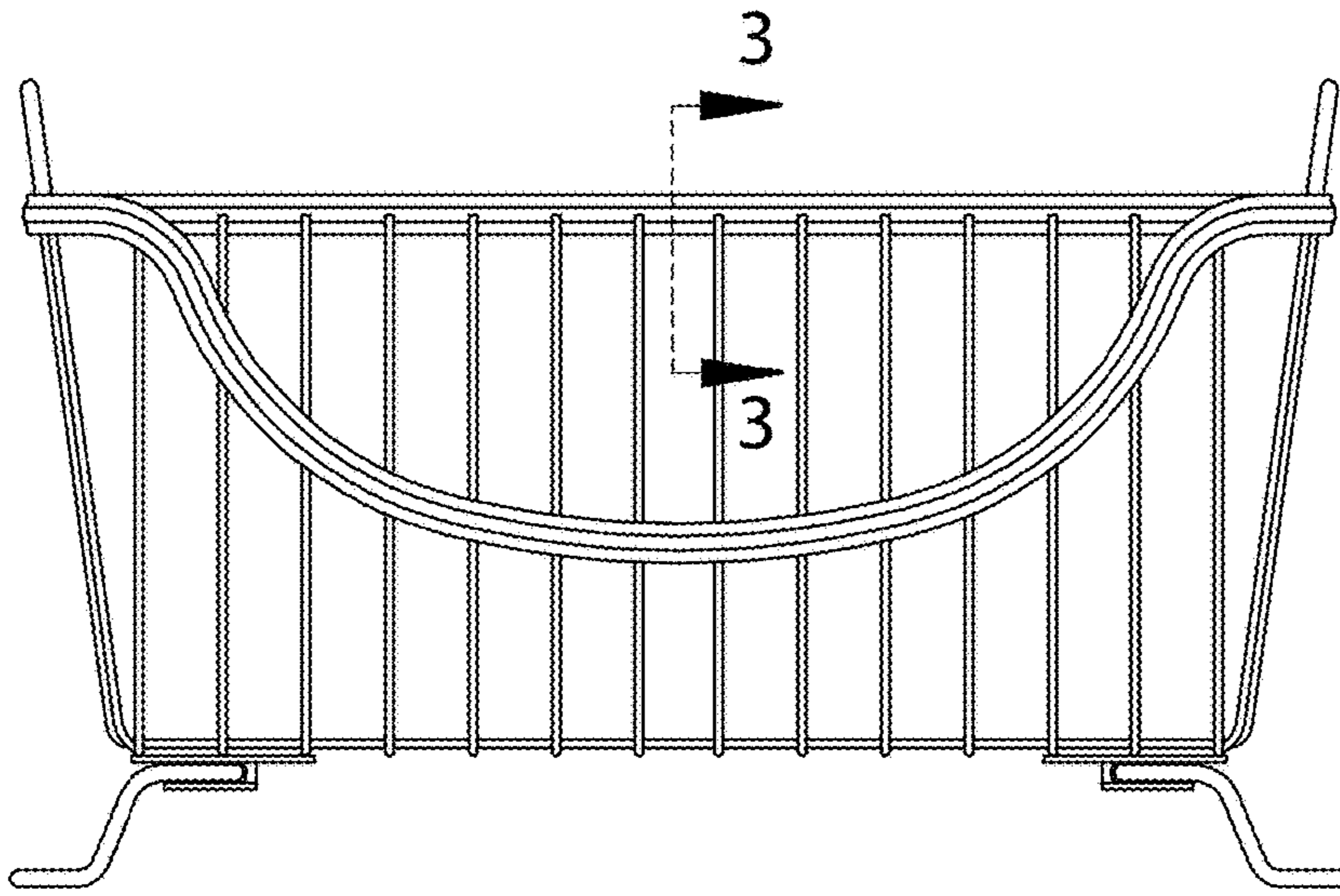


FIG. 2



FIG. 3

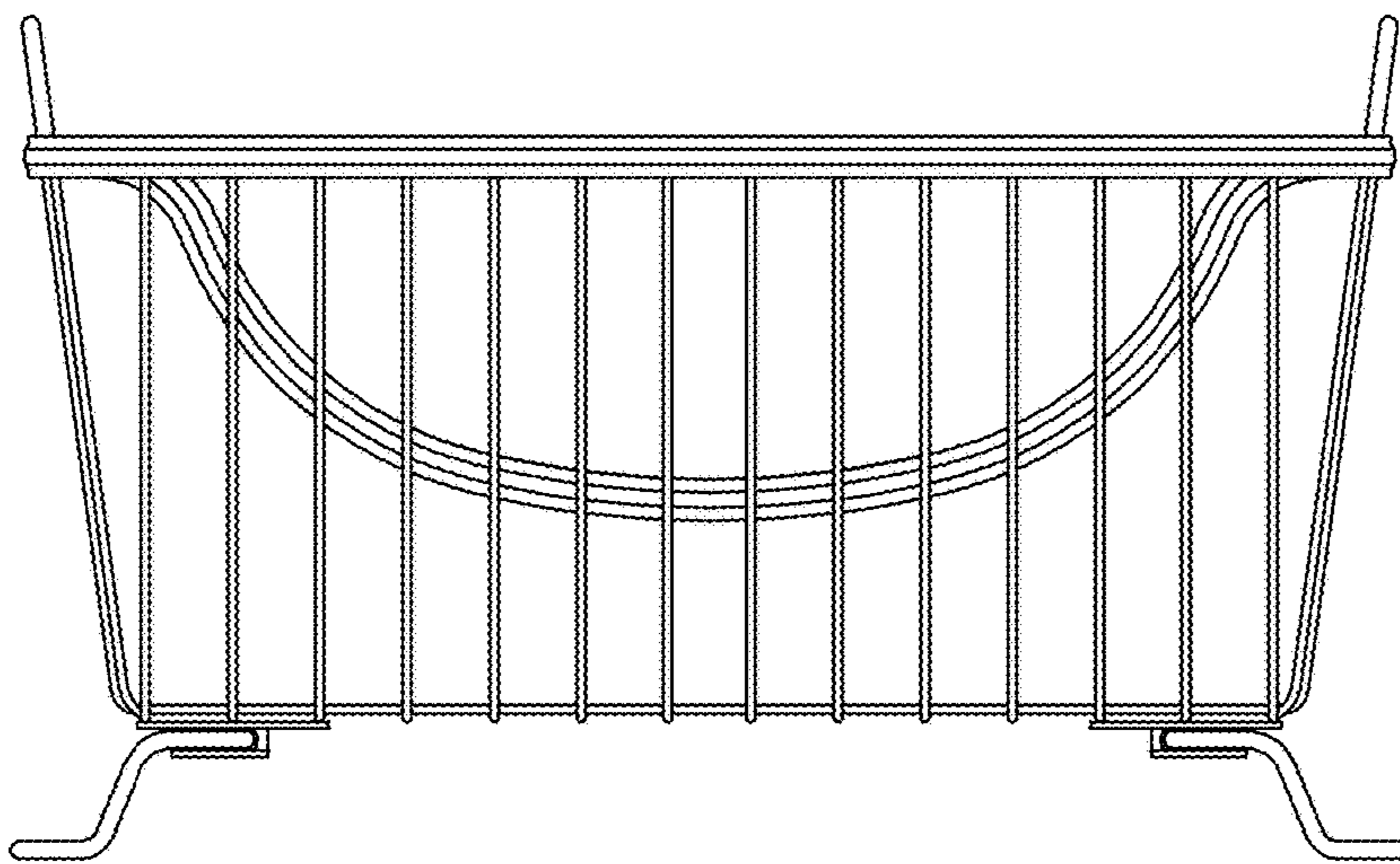


FIG. 4

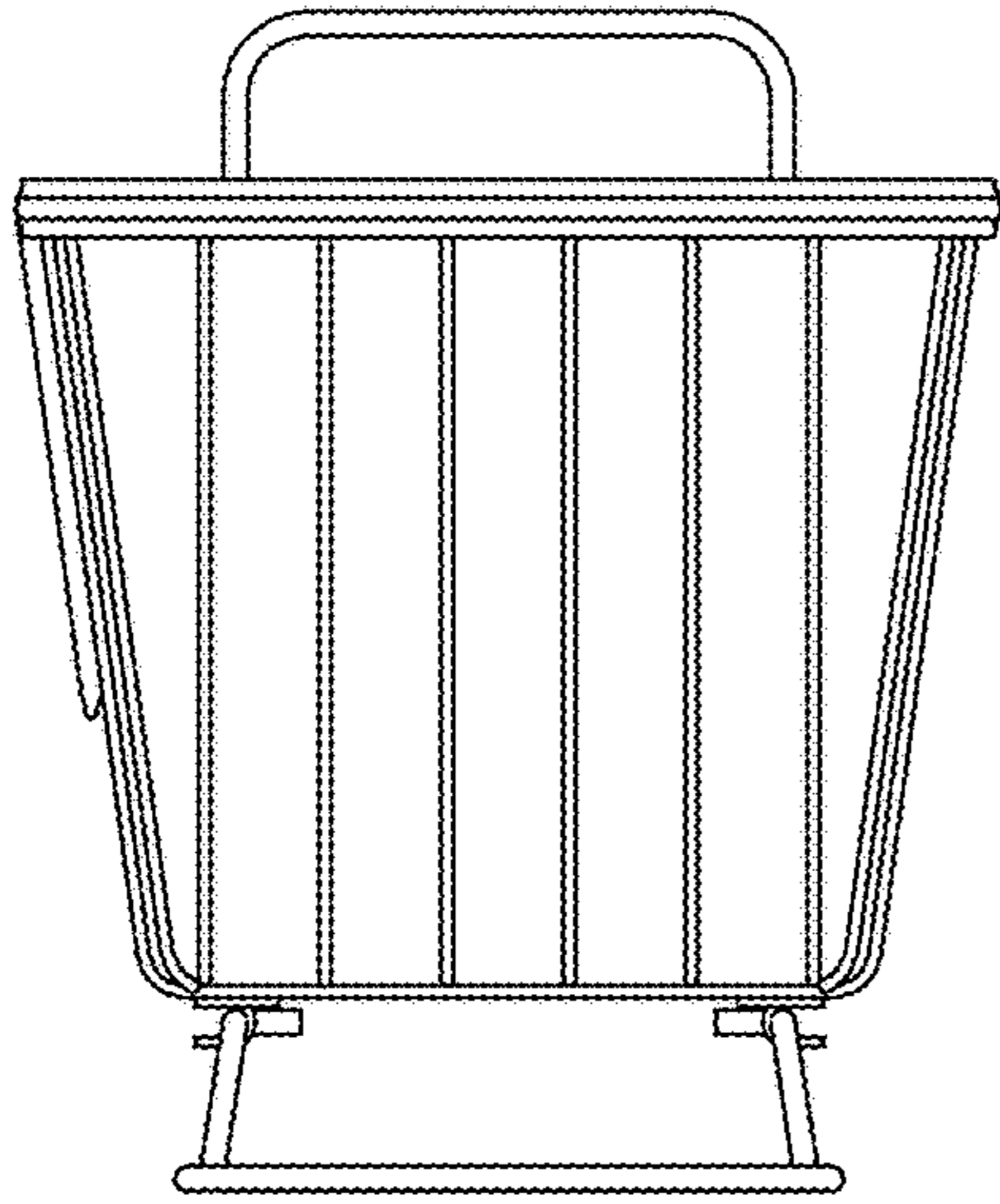


FIG. 5

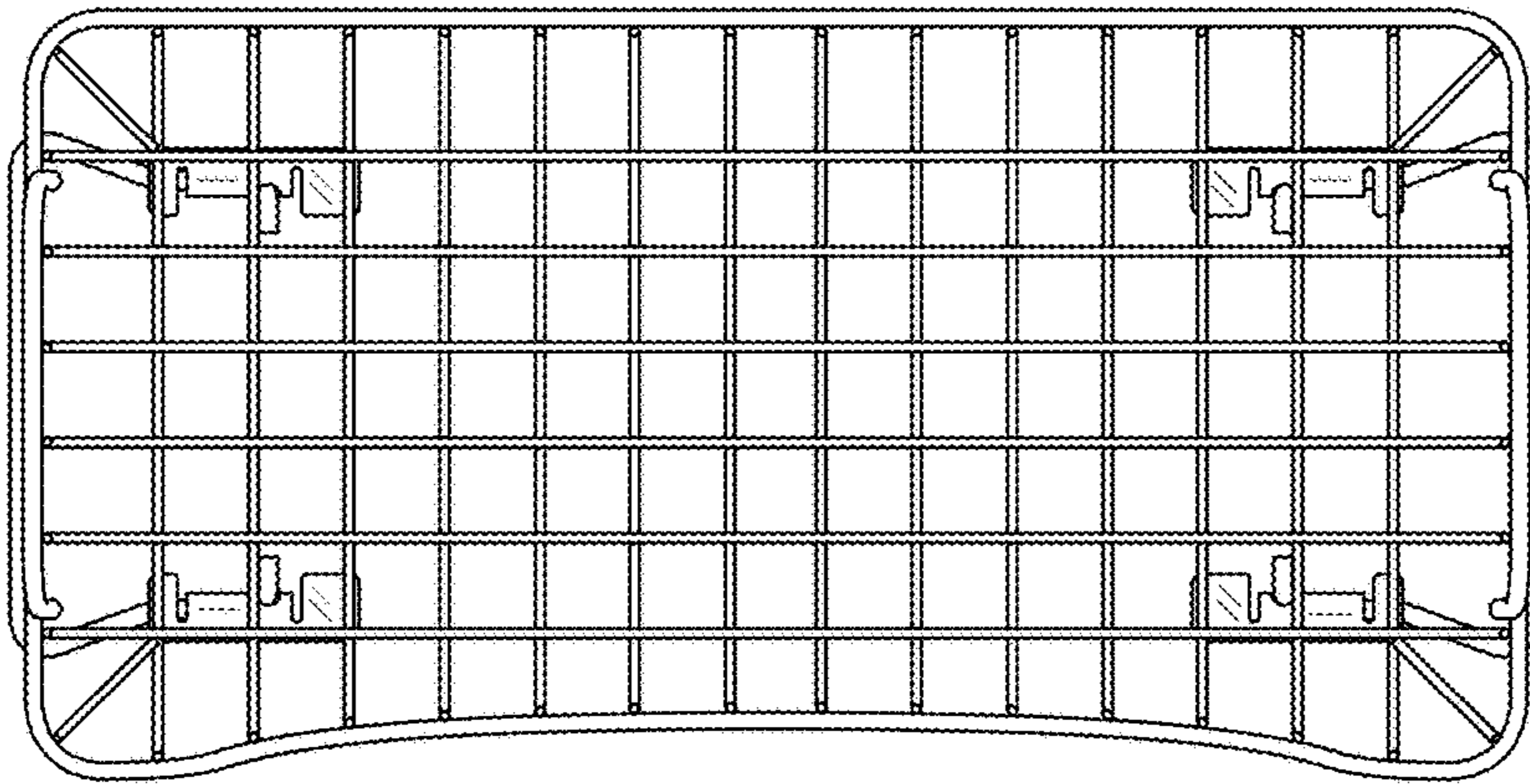


FIG. 6

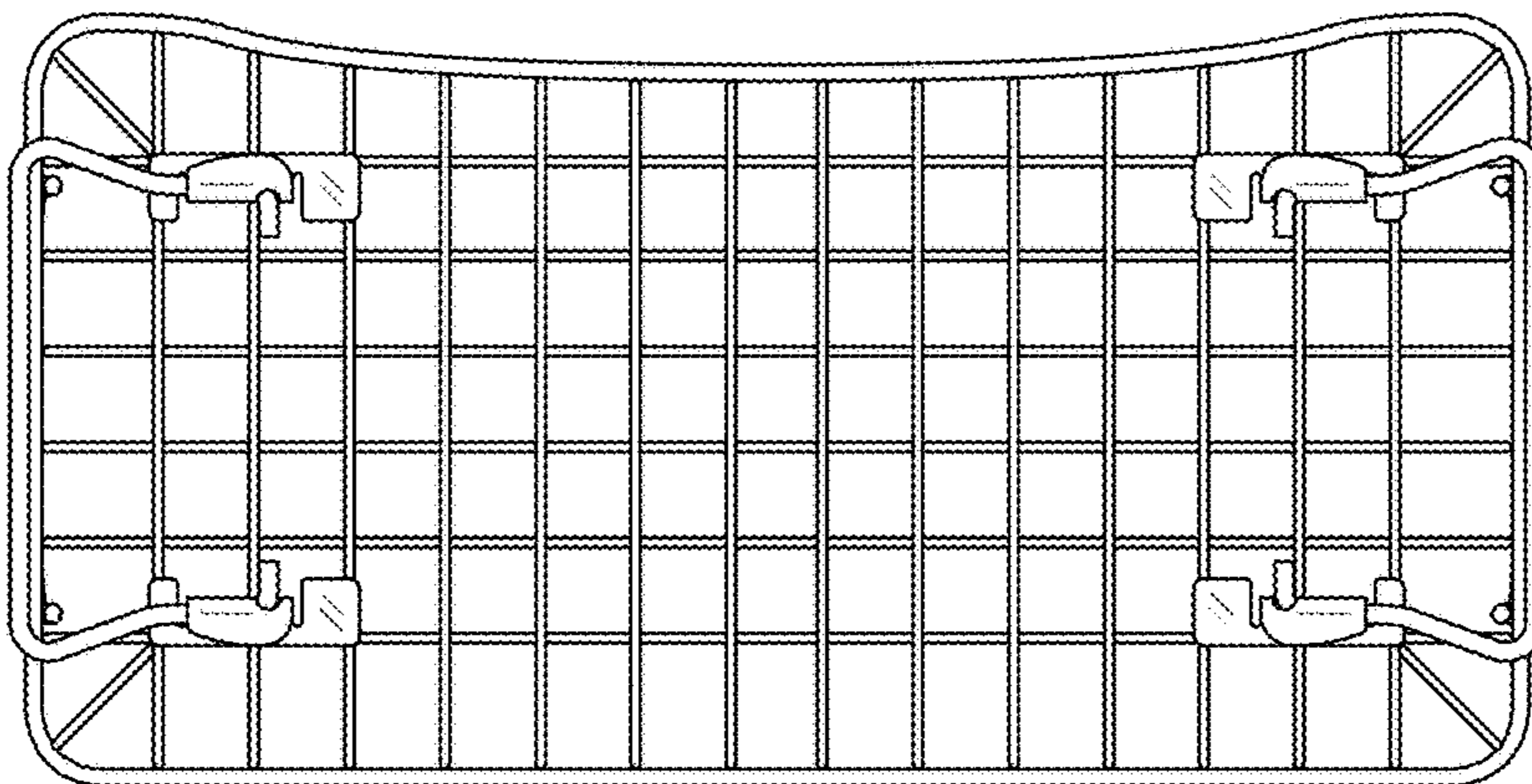


FIG. 7

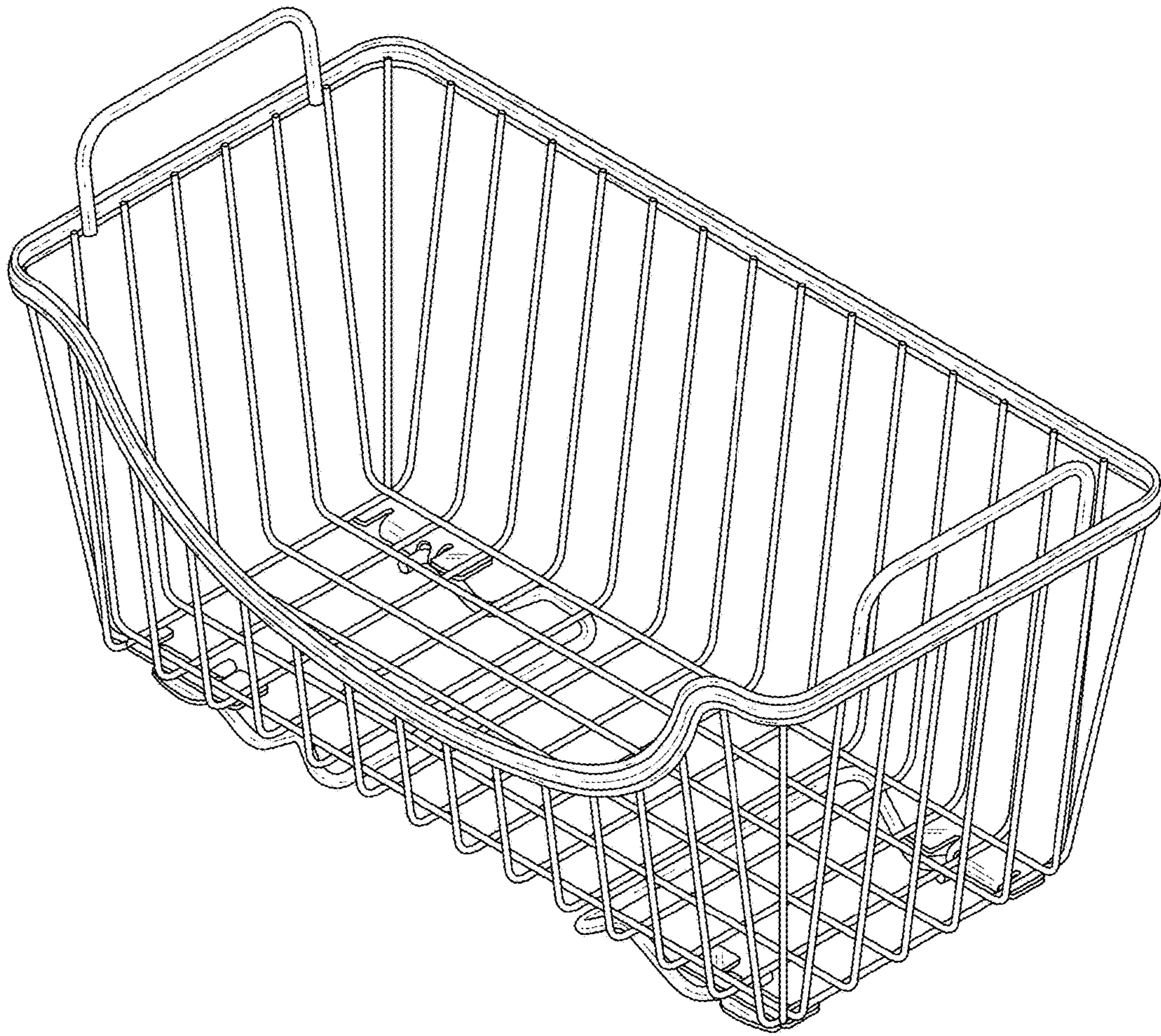


FIG. 8

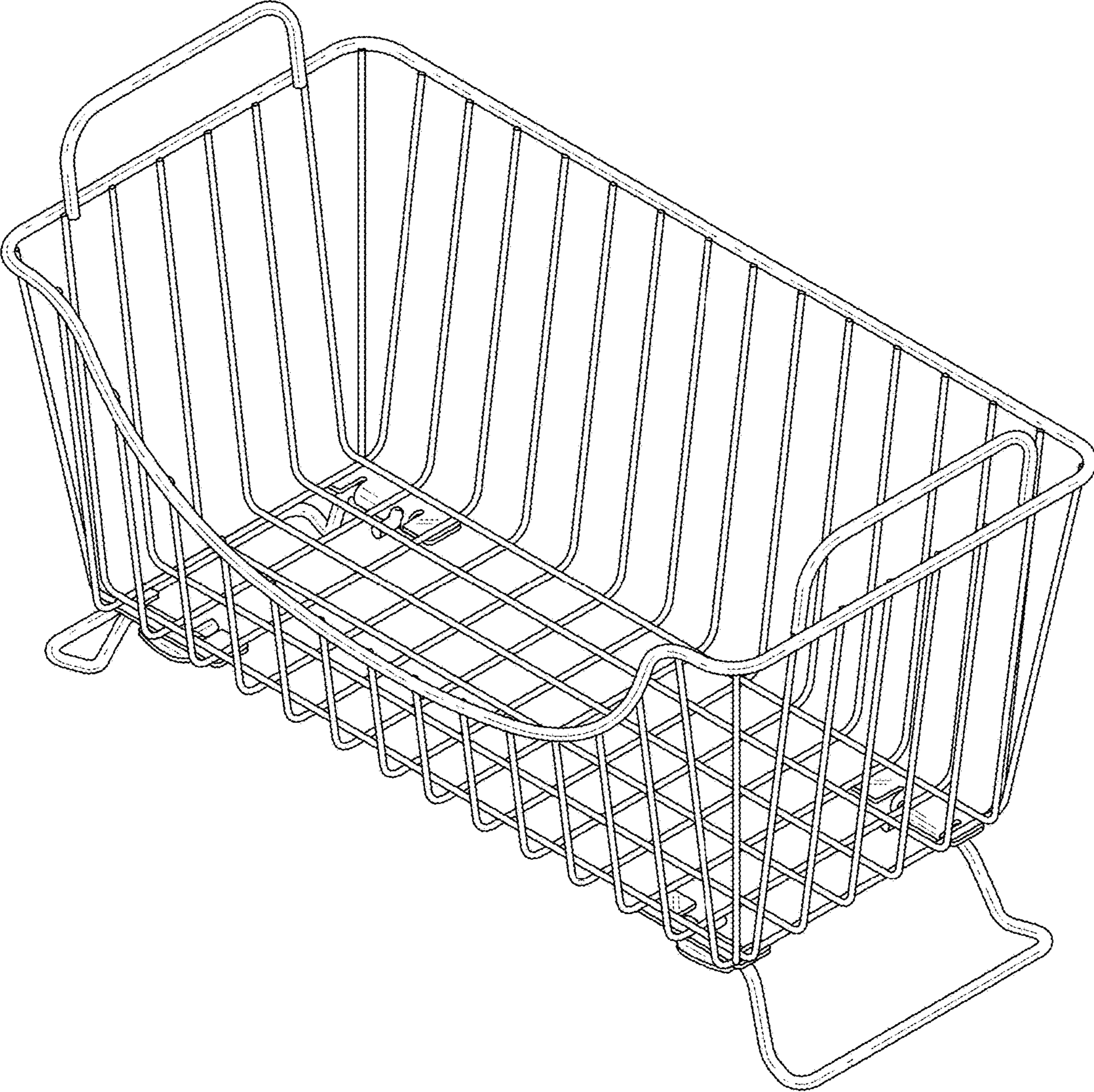


FIG. 9