



US00D785328S

(12) **United States Design Patent**  
**Yamamoto**

(10) **Patent No.:** **US D785,328 S**

(45) **Date of Patent:** **\*\* \*May 2, 2017**

- (54) **STORAGE CASE**
- (71) Applicant: **SHINWA CO., LTD.**, Niigata-Pref. (JP)
- (72) Inventor: **Kazunobu Yamamoto**, Niigata-Pref. (JP)
- (\* ) Notice: This patent is subject to a terminal disclaimer.
- (\*\* ) Term: **14 Years**
- (21) Appl. No.: **29/503,428**
- (22) Filed: **Sep. 25, 2014**

D372,378 S *	8/1996	Kruger	.....	D6/663
5,680,957 A *	10/1997	Liu	.....	A47B 87/0284
				220/602
D439,743 S *	4/2001	DeVance	.....	D3/297
D439,777 S *	4/2001	Laughton	.....	D6/663
D477,154 S *	7/2003	Benn	.....	D3/297
D478,208 S *	8/2003	Cassel	.....	D3/273
D483,965 S *	12/2003	Cassel	.....	D19/75
D499,550 S *	12/2004	Sanders	.....	D3/282
D502,812 S *	3/2005	Zimmerman	.....	D3/297
D503,042 S *	3/2005	Gutierrez	.....	D3/273
D504,772 S *	5/2005	Sanders	.....	D3/281
D507,897 S *	8/2005	Juneau	.....	D6/663
D535,102 S *	1/2007	Matsuda	.....	D3/302
D536,738 S *	2/2007	Smith	.....	D19/92

(Continued)

- (30) **Foreign Application Priority Data**
- Mar. 25, 2014 (JP) ..... 2014-006281
- (51) **LOC (10) Cl.** ..... **03-01**
- (52) **U.S. Cl.**
- USPC ..... **D3/297**
- (58) **Field of Classification Search**
- USPC ..... D3/273, 274, 275, 276, 281, 284, 292, D3/294, 295, 296, 302, 905, 901, 903, D3/205, 203.1, 279, 282, 242, 297; D27/172, 186, 187, 189, 191; D6/336, D6/705; D9/414; D19/72, 86, 92; D34/20
- CPC .... A45C 5/04; A45C 11/16; A61J 1/00; A24F 15/00; A24F 15/005; A24F 15/02; A24F 15/08; A24F 15/20
- See application file for complete search history.

*Primary Examiner* — Sandra Snapp  
*Assistant Examiner* — Holly E Thurman  
 (74) *Attorney, Agent, or Firm* — Prakash Nama; Global IP Services, PLLC

(57) **CLAIM**

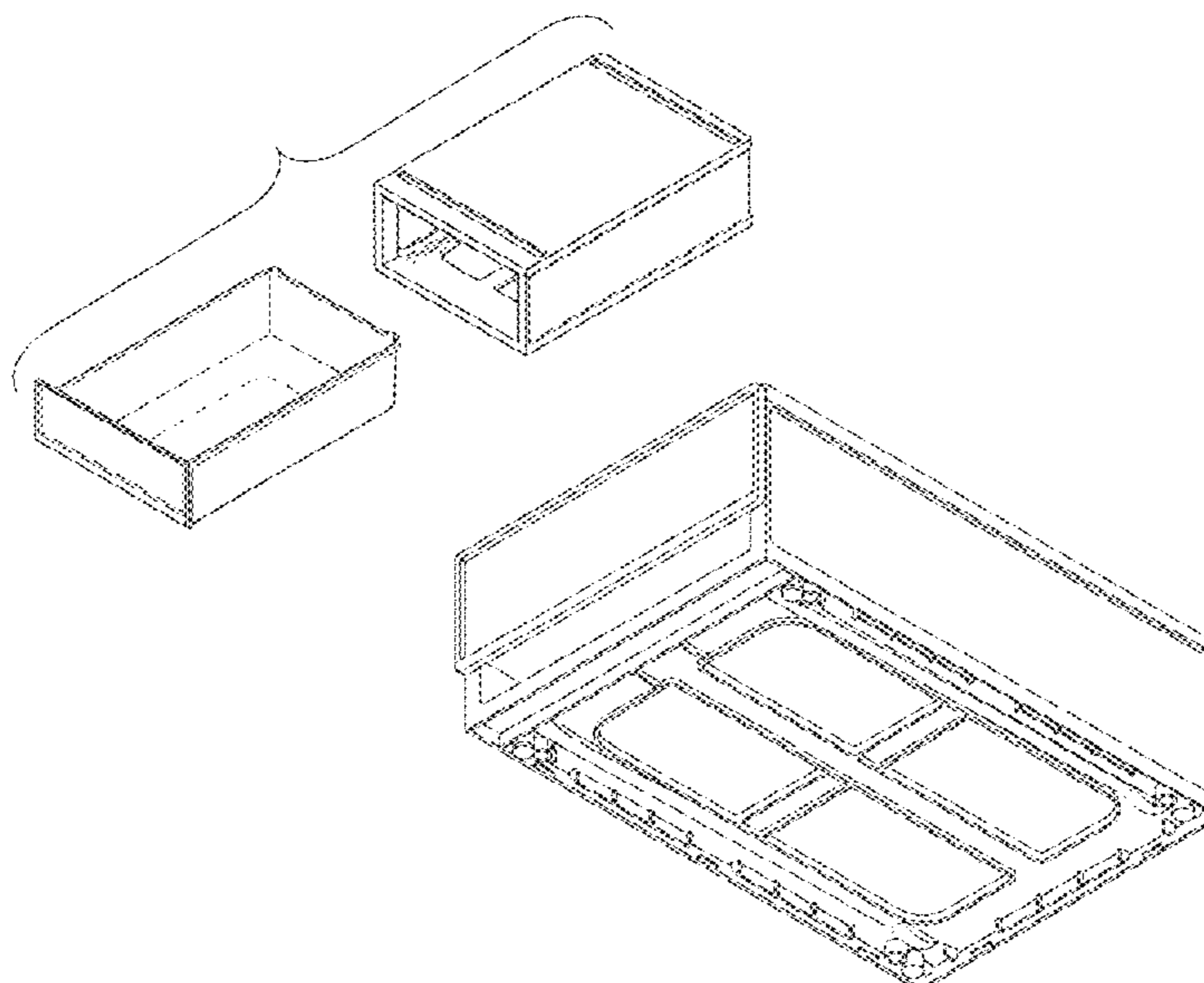
The ornamental design for a storage case, as shown and described.

**DESCRIPTION**

FIG. 1 is a front elevational view of a storage case showing my new design;  
 FIG. 2 is a rear elevational view thereof;  
 FIG. 3 is a left side view thereof;  
 FIG. 4 is a right side view thereof;  
 FIG. 5 is a top plan view thereof;  
 FIG. 6 is a bottom plan view thereof;  
 FIG. 7 is a top perspective view thereof;  
 FIG. 8 is a top perspective view of the storage case, shown in a reduced scale, with a compartment pulled out; and,  
 FIG. 9 is a bottom perspective view of the storage case.  
 The broken lines depict portions of the storage case that form no part of the claimed design.

**1 Claim, 7 Drawing Sheets**

- (56) **References Cited**
- U.S. PATENT DOCUMENTS
- D188,075 S \* 5/1960 Vannice ..... 312/107
- D243,900 S \* 4/1977 Boyd ..... D3/297
- D309,527 S \* 7/1990 Singer ..... D24/229
- D360,778 S \* 8/1995 Apt, III ..... D6/663



(56)

References Cited

U.S. PATENT DOCUMENTS

7,222,745 B2 \* 5/2007 Gutierrez ..... B65D 11/24  
 220/645  
 D549,408 S \* 8/2007 Lee ..... D32/25  
 D553,393 S \* 10/2007 Cassel ..... D6/675.1  
 D580,172 S \* 11/2008 Perez ..... D3/297  
 D583,172 S \* 12/2008 Cassel ..... D3/297  
 D597,341 S \* 8/2009 Stein ..... D3/297  
 D599,589 S \* 9/2009 Cassel ..... D3/297  
 D601,834 S \* 10/2009 Szych ..... D3/203.1  
 D634,483 S \* 3/2011 Sullivan ..... D30/108  
 D634,564 S \* 3/2011 Licari ..... D6/657  
 D670,111 S \* 11/2012 McNamara ..... D6/705  
 D671,318 S \* 11/2012 Schmidt ..... D3/297  
 D708,875 S \* 7/2014 McNamara ..... D6/705  
 D740,026 S \* 10/2015 Yamamoto ..... D3/297  
 D740,027 S \* 10/2015 Yamamoto ..... D3/297  
 D740,563 S \* 10/2015 Yamamoto ..... D3/297  
 9,353,989 B2 \* 5/2016 Furr ..... F25D 25/025  
 2002/0092787 A1 \* 7/2002 Cheng ..... B65D 11/1893  
 206/459.5  
 2005/0122008 A1 \* 6/2005 Atwood ..... A47F 11/04  
 312/117

\* cited by examiner

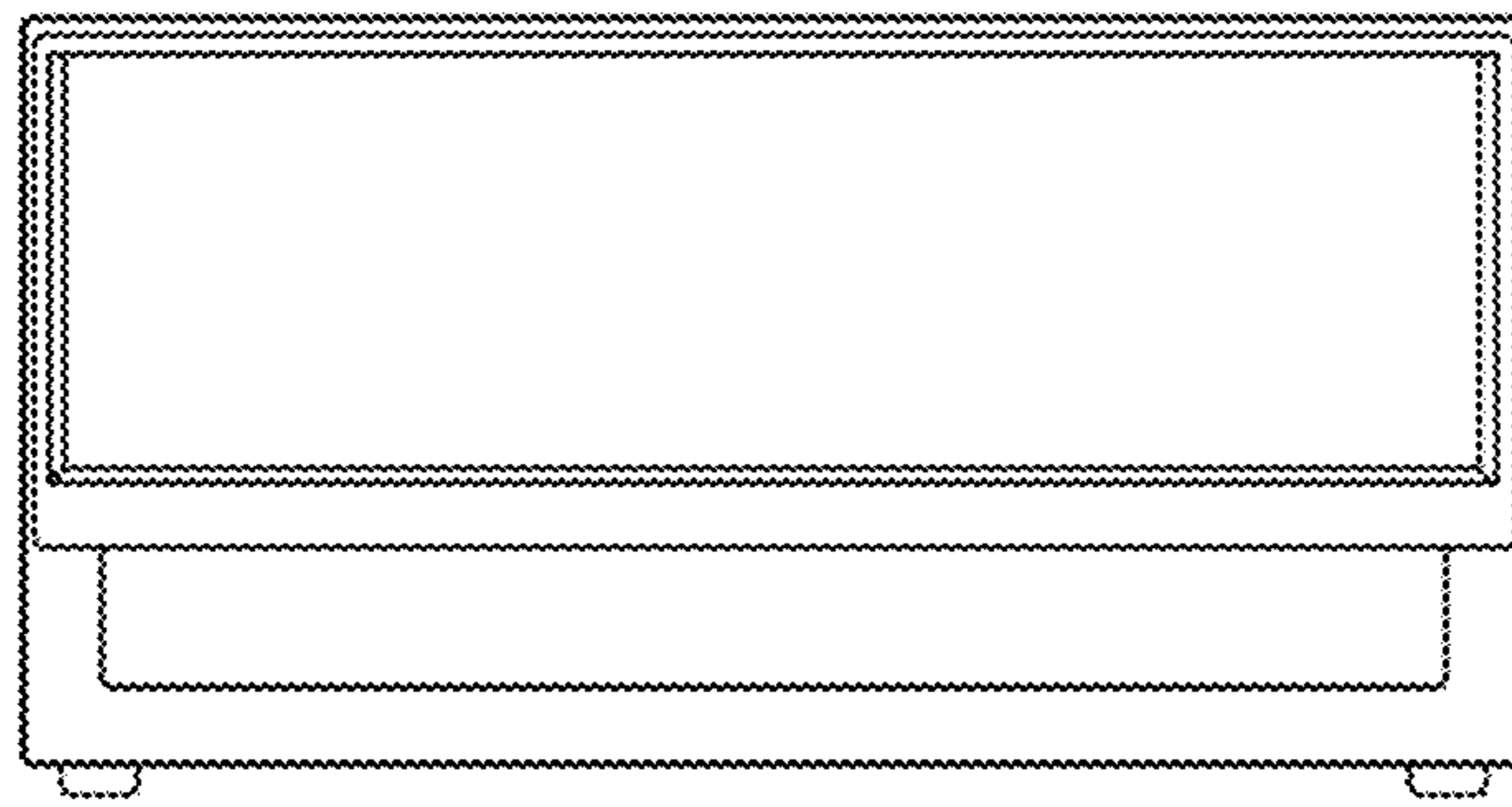


FIG. 1

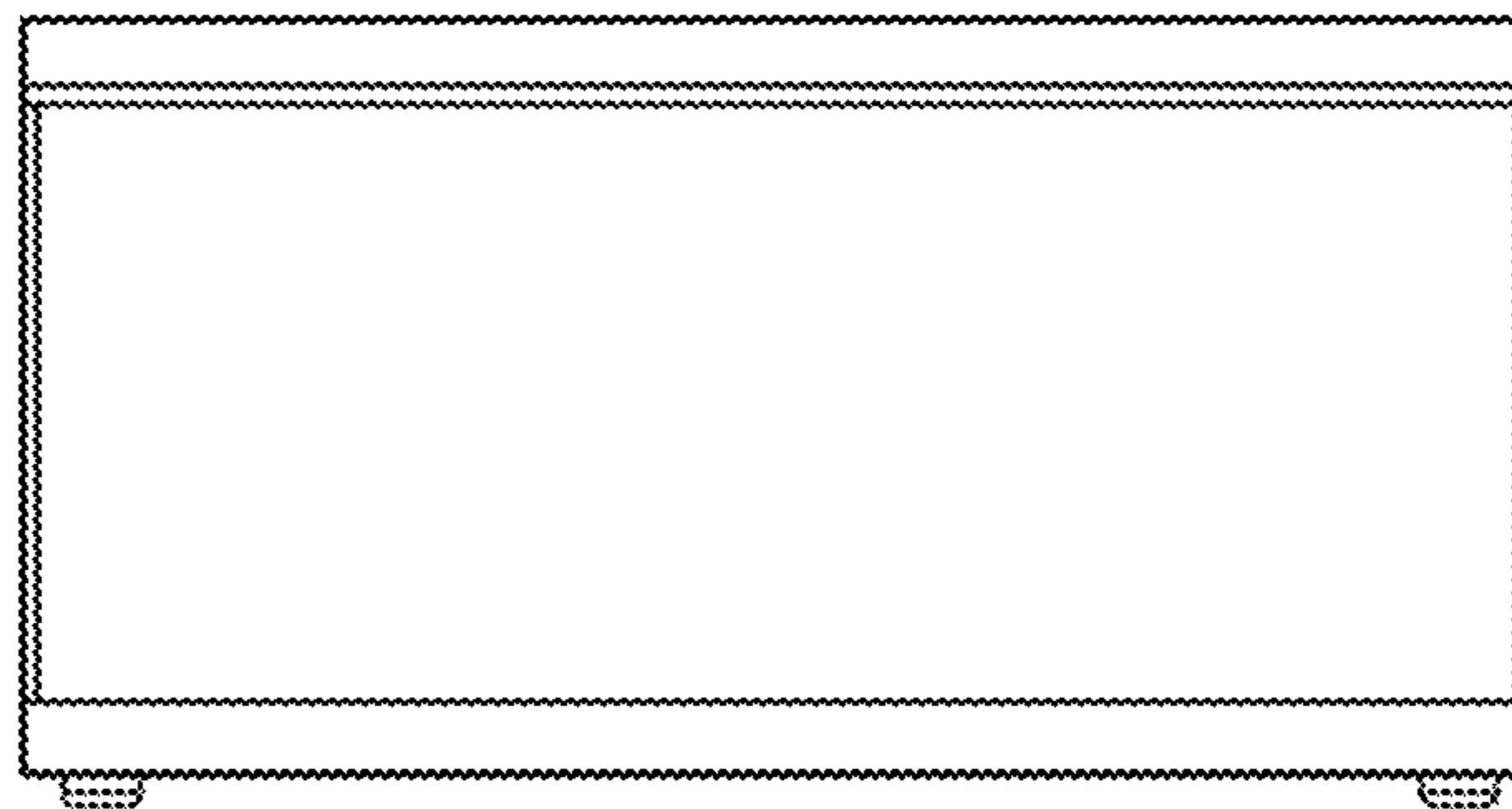


FIG. 2

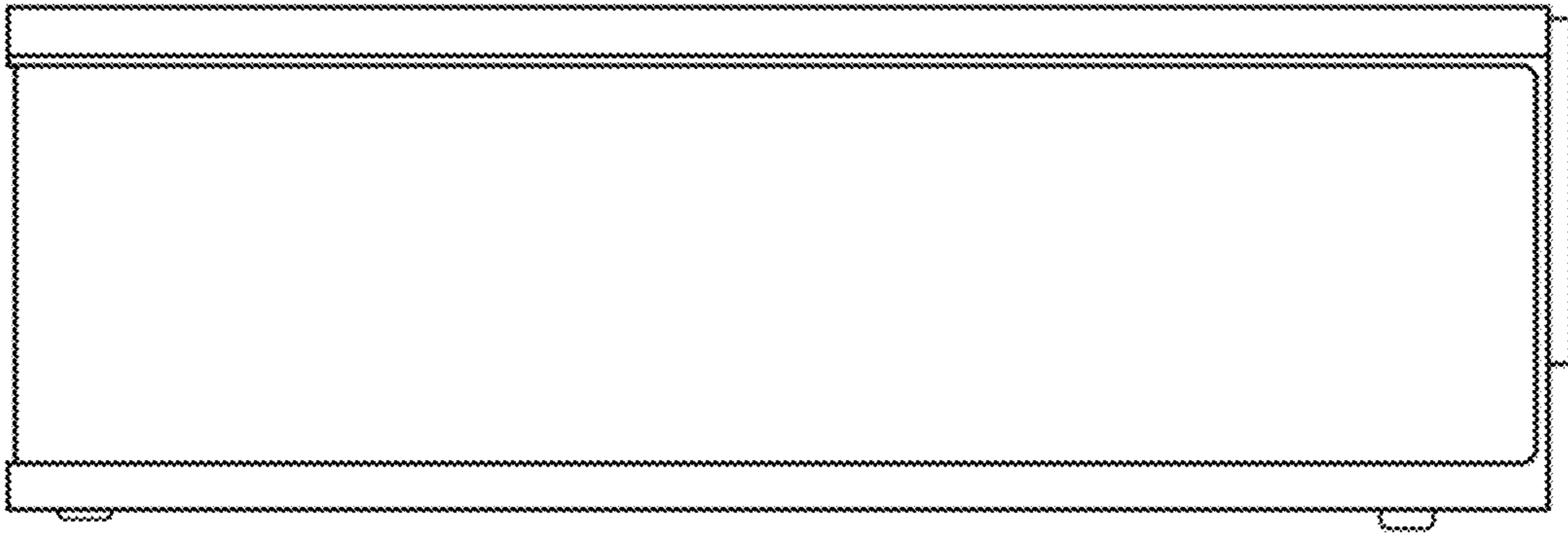


FIG. 3

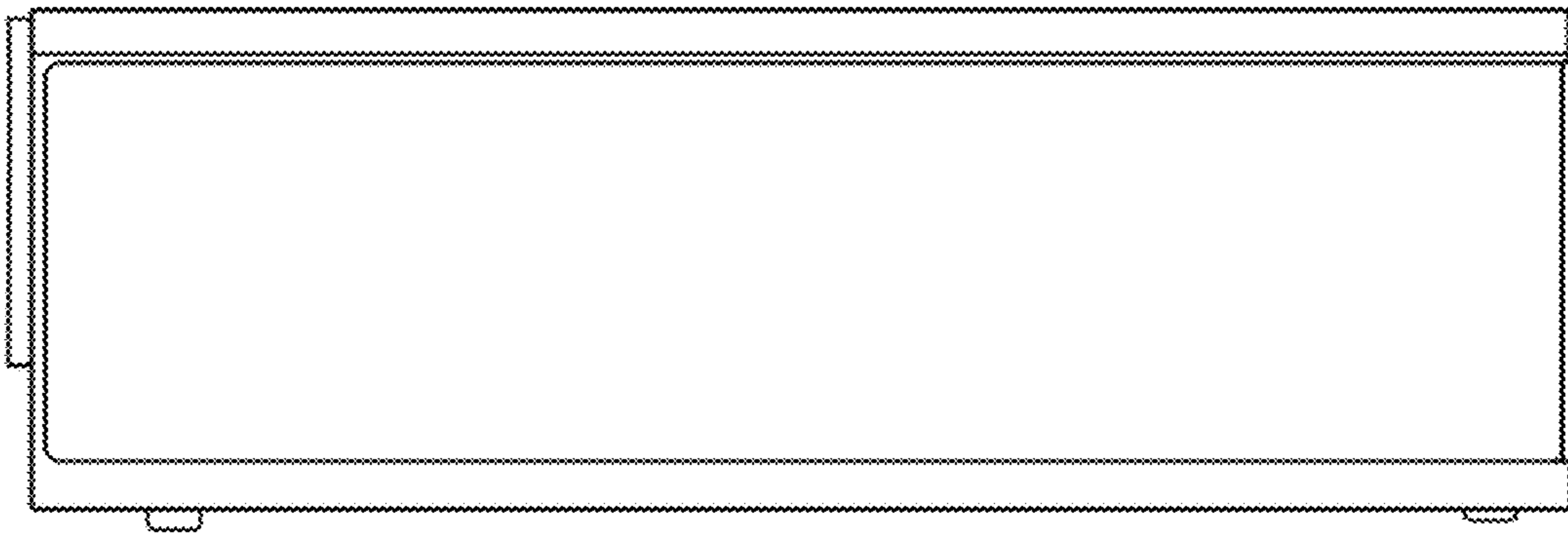


FIG. 4

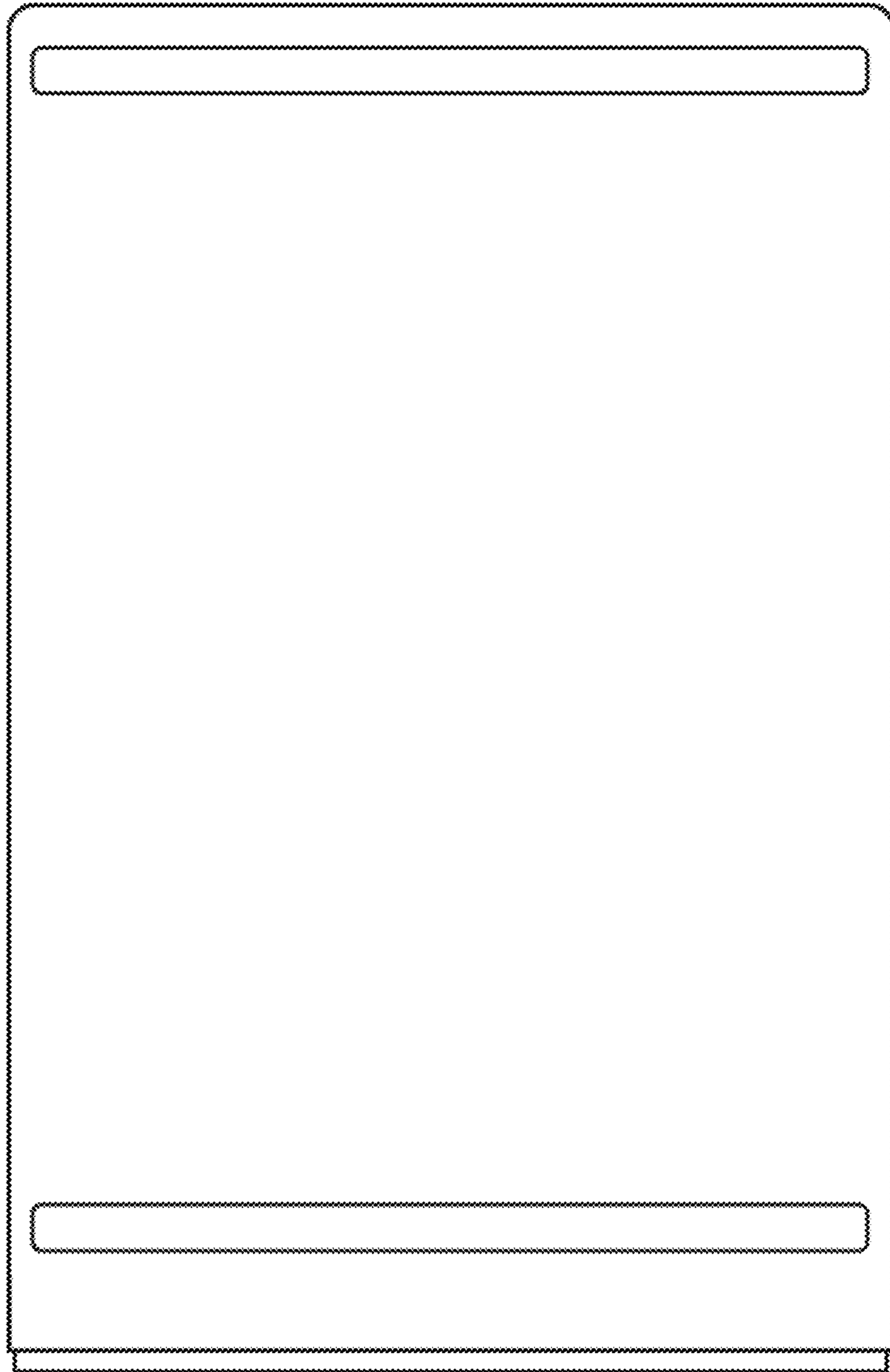


FIG. 5

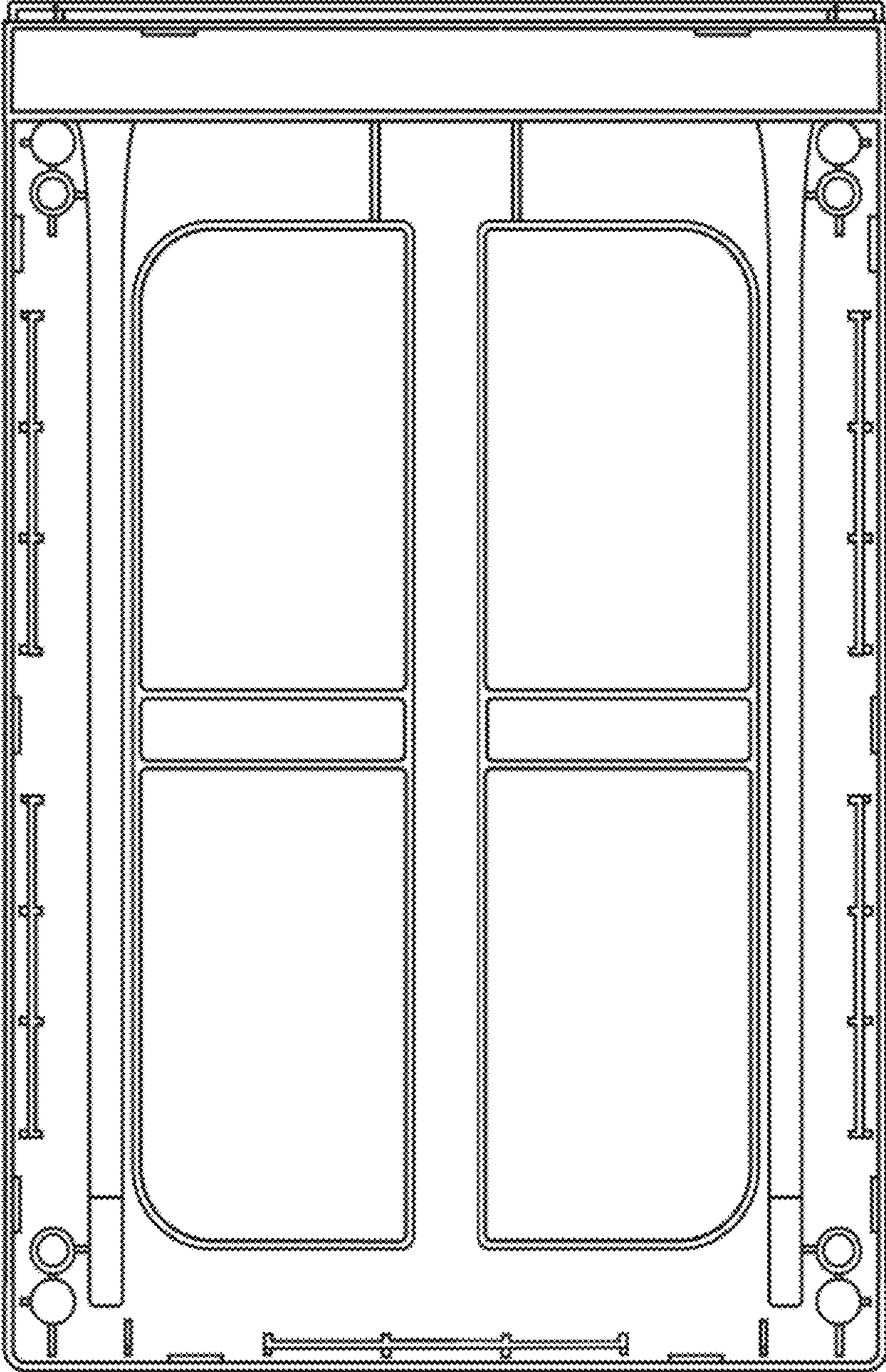


FIG. 6

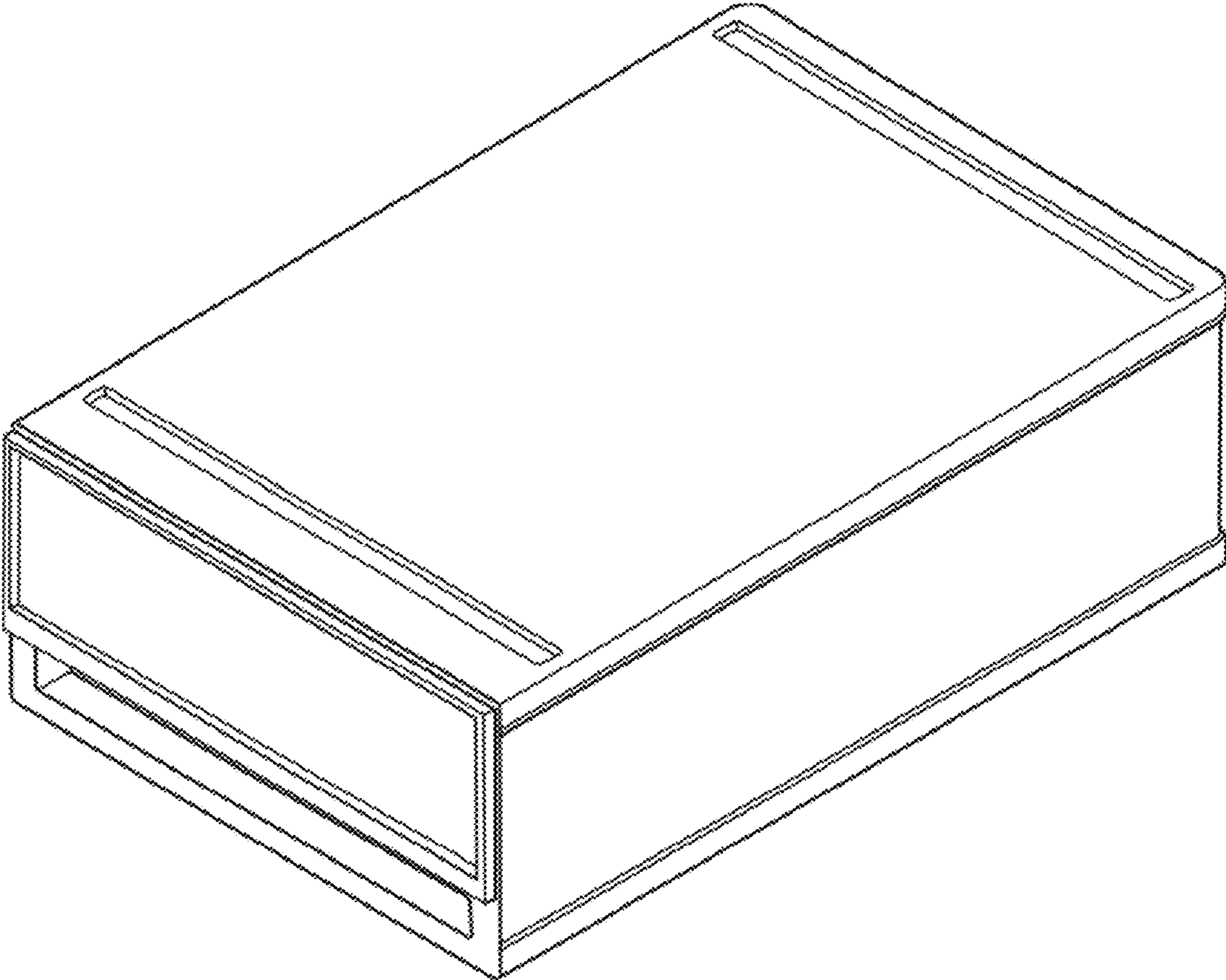


FIG. 7

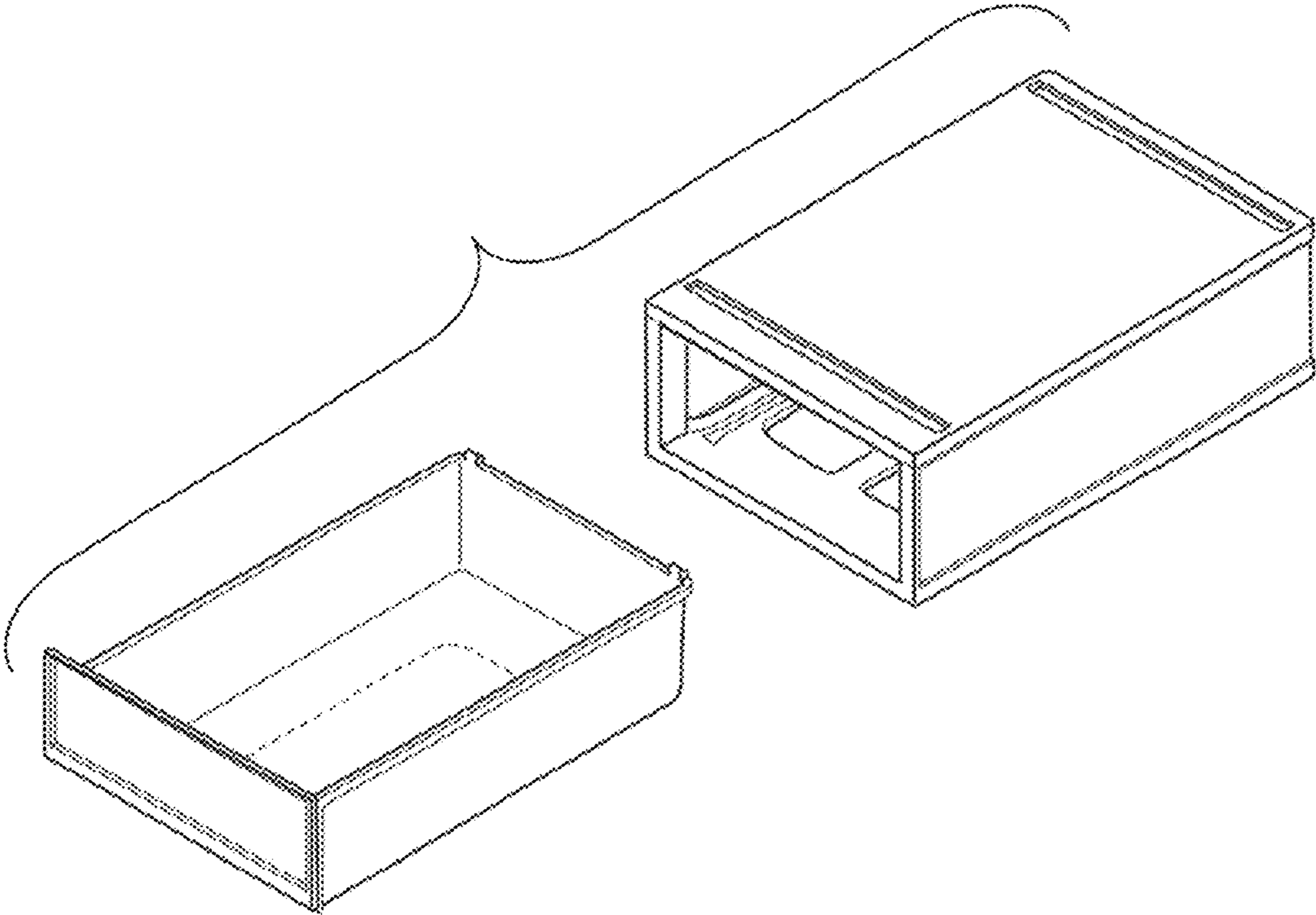


FIG. 8



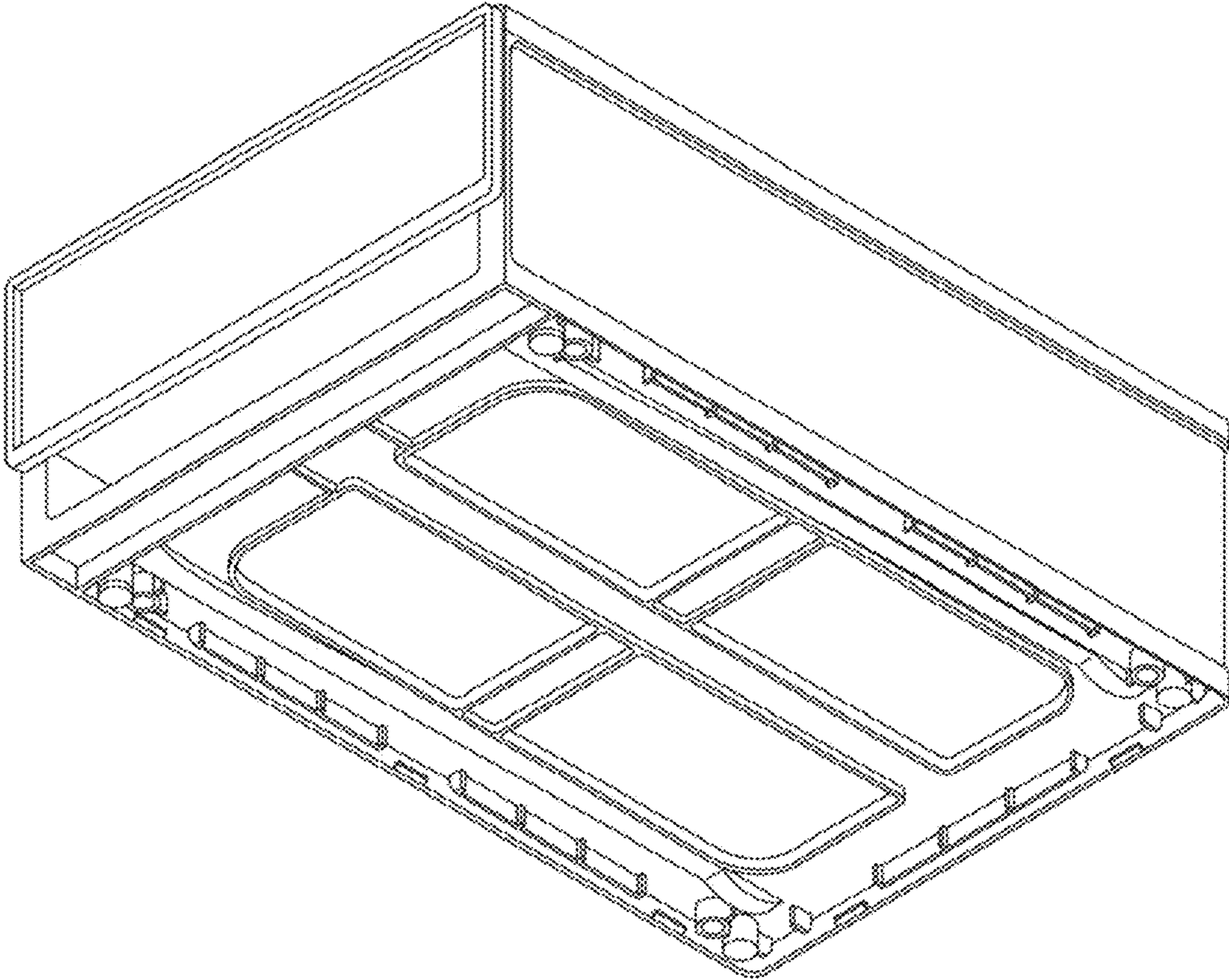


FIG. 9