



US00D785327S

(12) **United States Design Patent**  
**Yamamoto**

(10) **Patent No.:** **US D785,327 S**

(45) **Date of Patent:** **\*\* \*May 2, 2017**

(54) **STORAGE CASE**

(71) Applicant: **SHINWA CO., LTD.**, Nigata-Pref. (JP)

(72) Inventor: **Kazunobu Yamamoto**, Niigata-Pref. (JP)

(\*) Notice: This patent is subject to a terminal disclaimer.

(\*\*) Term: **14 Years**

(21) Appl. No.: **29/503,425**

(22) Filed: **Sep. 25, 2014**

(30) **Foreign Application Priority Data**

Mar. 26, 2014 (JP) ..... 2014-006400

(51) **LOC (10) Cl.** ..... **03-01**

(52) **U.S. Cl.**  
USPC ..... **D3/297**

(58) **Field of Classification Search**

USPC ..... D3/273, 274, 275, 276, 281, 284, 292,  
D3/294, 295, 296, 302, 905, 901, 903,  
D3/205, 203.1, 279, 282, 242, 297;  
D27/172, 186, 187, 189, 191; D6/336,  
D6/705; D9/414; D19/72, 86, 92;  
D34/20

CPC .... A45C 5/04; A45C 11/16; A61J 1/00; A24F  
15/00; A24F 15/005; A24F 15/02; A24F  
15/08; A24F 15/20

See application file for complete search history.

(56) **References Cited**

**U.S. PATENT DOCUMENTS**

D188,075 S \* 5/1960 Vannice ..... 312/107  
D243,900 S \* 4/1977 Boyd ..... D3/297  
D309,527 S \* 7/1990 Singer ..... D24/229  
D360,778 S \* 8/1995 Apt, III ..... D6/663  
D372,378 S \* 8/1996 Kruger ..... D6/663

5,680,957 A \* 10/1997 Liu ..... A47B 87/0284  
220/602  
D439,743 S \* 4/2001 DeVance ..... D3/297  
D439,777 S \* 4/2001 Laughton ..... D6/663  
D477,154 S \* 7/2003 Benn ..... D3/297  
D478,208 S \* 8/2003 Cassel ..... D3/273  
D483,965 S \* 12/2003 Cassel ..... D19/75  
D499,550 S \* 12/2004 Sanders ..... D3/282  
D502,812 S \* 3/2005 Zimmerman ..... D3/297  
D503,042 S \* 3/2005 Gutierrez ..... D3/273  
D504,772 S \* 5/2005 Sanders ..... D3/281  
D507,897 S \* 8/2005 Juneau ..... D6/663  
D535,102 S \* 1/2007 Matsuda ..... D3/302  
D536,738 S \* 2/2007 Smith ..... D19/92  
7,222,745 B2 \* 5/2007 Gutierrez ..... B65D 11/24  
220/645

(Continued)

*Primary Examiner* — Sandra Snapp

*Assistant Examiner* — Holly E Thurman

(74) *Attorney, Agent, or Firm* — Prakash Nama; Global IP Services, PLLC

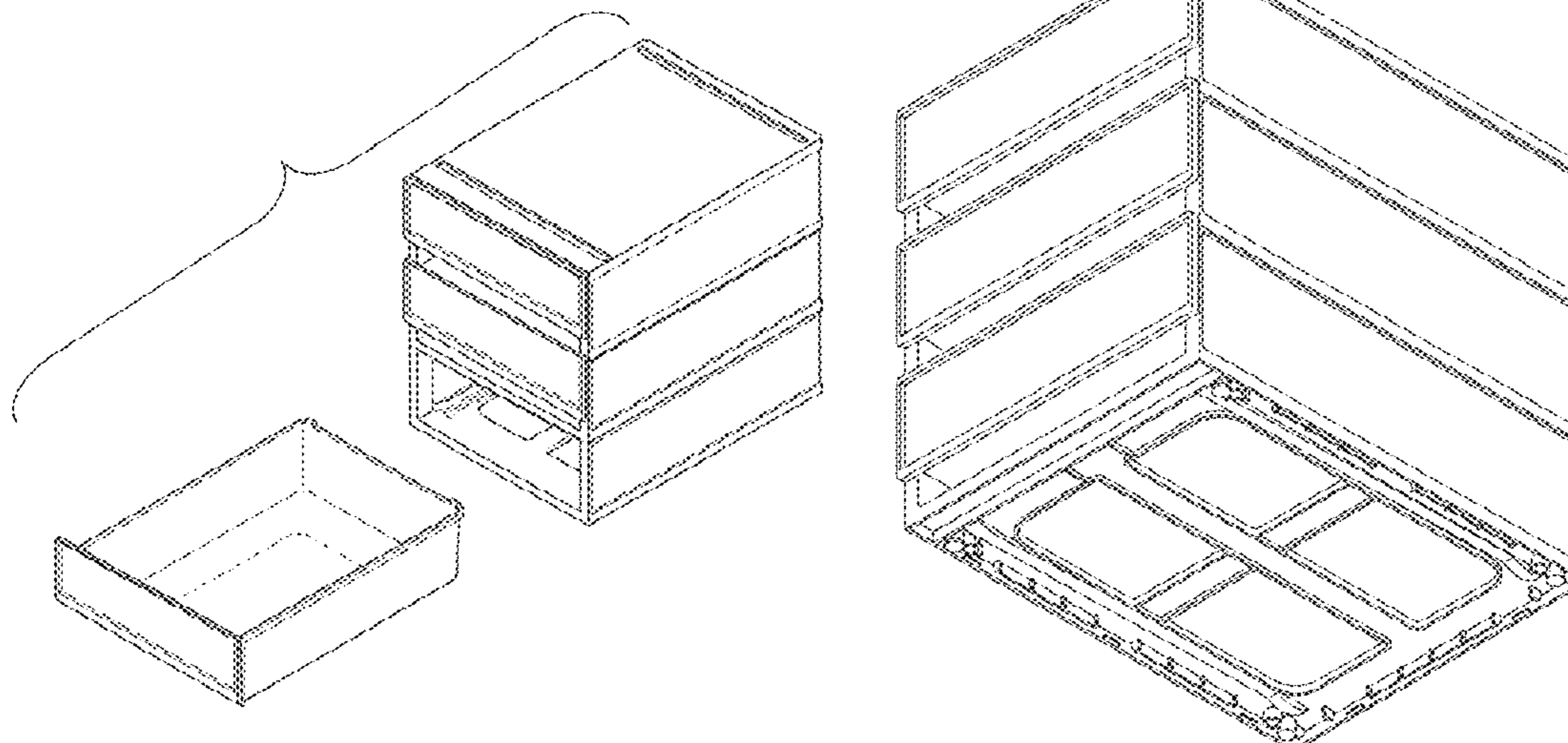
(57) **CLAIM**

The ornamental design for a storage case, as shown and described.

**DESCRIPTION**

FIG. 1 is a front elevational view of a storage case showing my new design;  
FIG. 2 is a rear elevational view thereof;  
FIG. 3 is a left side view thereof;  
FIG. 4 is a right side view thereof;  
FIG. 5 is a top plan view thereof;  
FIG. 6 is a bottom plan view thereof;  
FIG. 7 is a top perspective view thereof;  
FIG. 8 is a top perspective view of the storage case, shown in a reduced scale, with a compartment pulled out; and,  
FIG. 9 is a bottom perspective view of the storage case.  
The broken lines depict portions of the storage case that form no part of the claimed design.

**1 Claim, 9 Drawing Sheets**



(56)

**References Cited**

U.S. PATENT DOCUMENTS

D549,408	S *	8/2007	Lee	.....	D32/25
D553,393	S *	10/2007	Cassel	.....	D6/675.1
D580,172	S *	11/2008	Perez	.....	D3/297
D583,172	S *	12/2008	Cassel	.....	D3/297
D597,341	S *	8/2009	Stein	.....	D3/297
D599,589	S *	9/2009	Cassel	.....	D3/297
D601,834	S *	10/2009	Szych	.....	D3/203.1
D634,483	S *	3/2011	Sullivan	.....	D30/108
D634,564	S *	3/2011	Licari	.....	D6/657
D670,111	S *	11/2012	McNamara	.....	D6/705
D671,318	S *	11/2012	Schmidt	.....	D3/297
D708,875	S *	7/2014	McNamara	.....	D6/705
D740,026	S *	10/2015	Yamamoto	.....	D3/297
D740,027	S *	10/2015	Yamamoto	.....	D3/297
D740,563	S *	10/2015	Yamamoto	.....	D3/297
9,353,989	B2 *	5/2016	Furr	.....	F25D 25/025
2002/0092787	A1 *	7/2002	Cheng	.....	B65D 11/1893
					206/459.5
2005/0122008	A1 *	6/2005	Atwood	.....	A47F 11/04
					312/117

\* cited by examiner

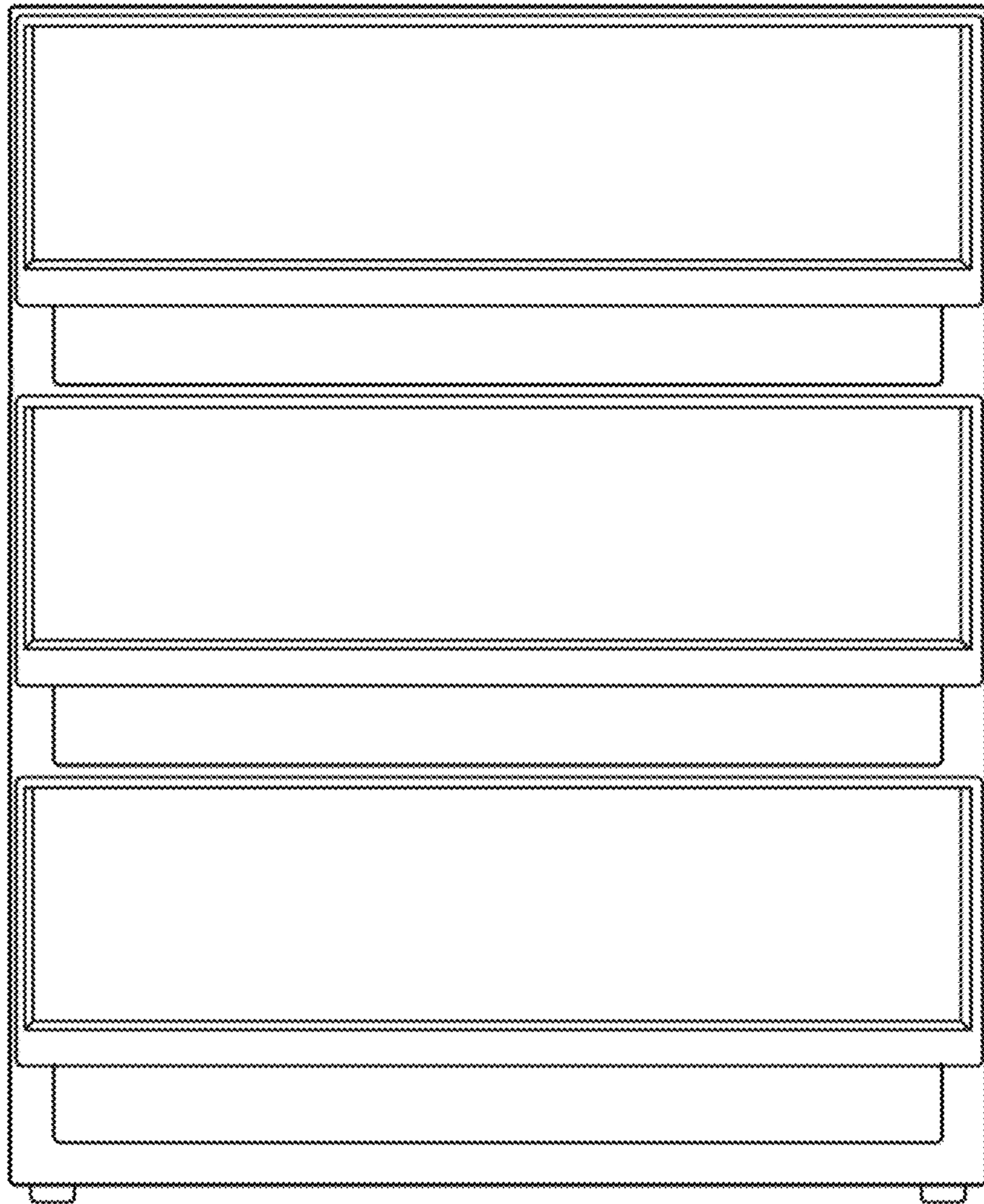


FIG. 1

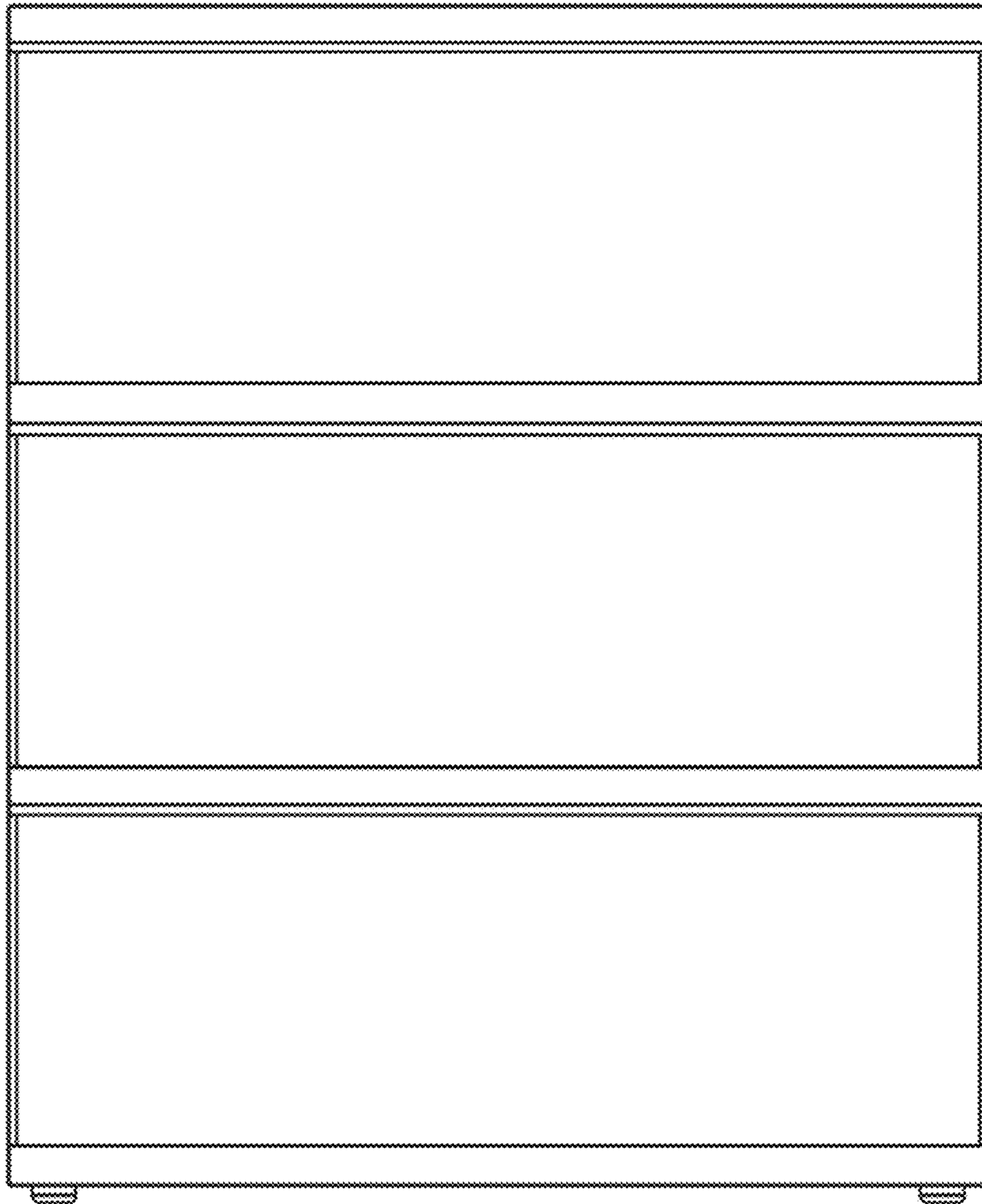


FIG. 2

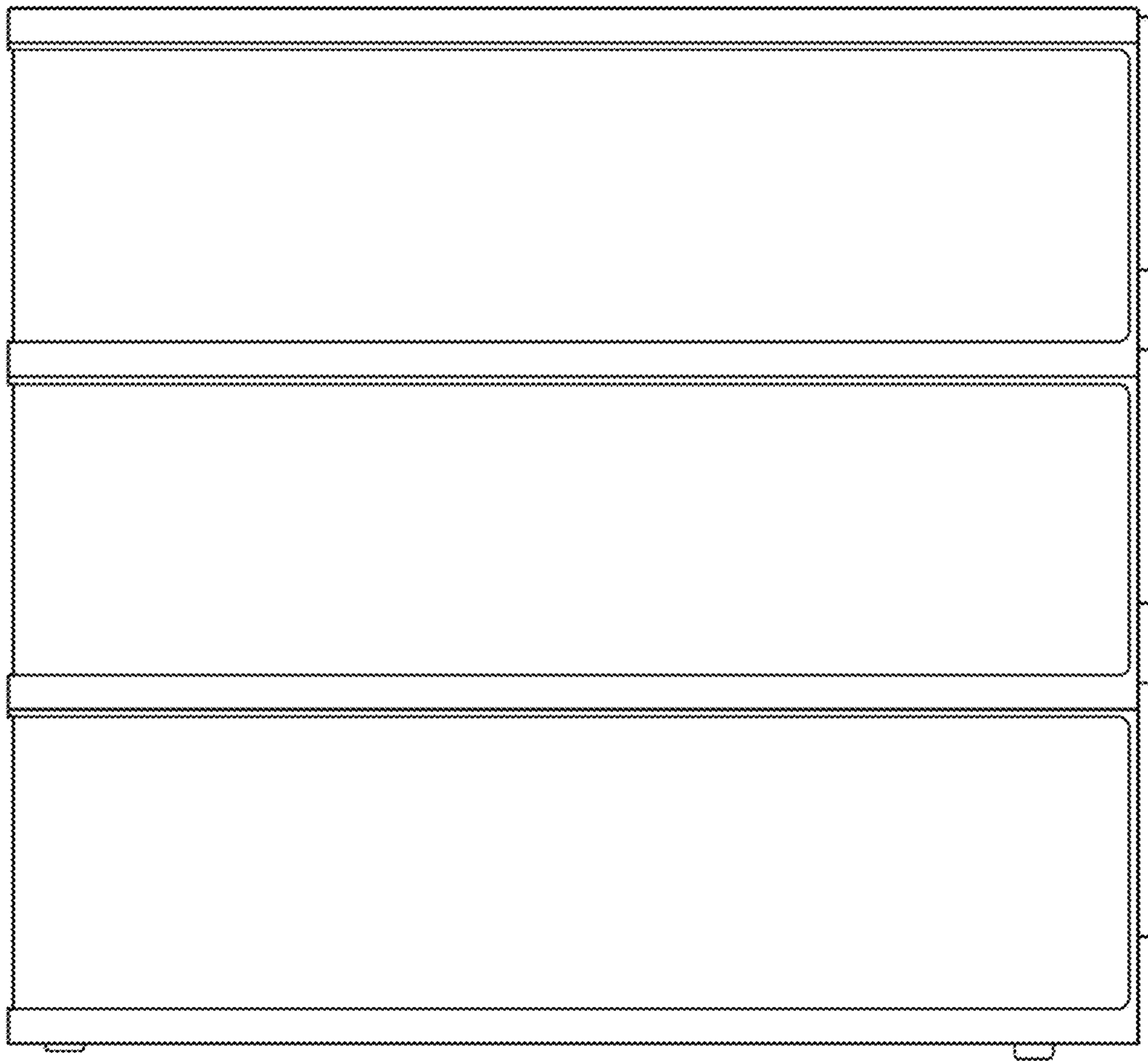


FIG. 3

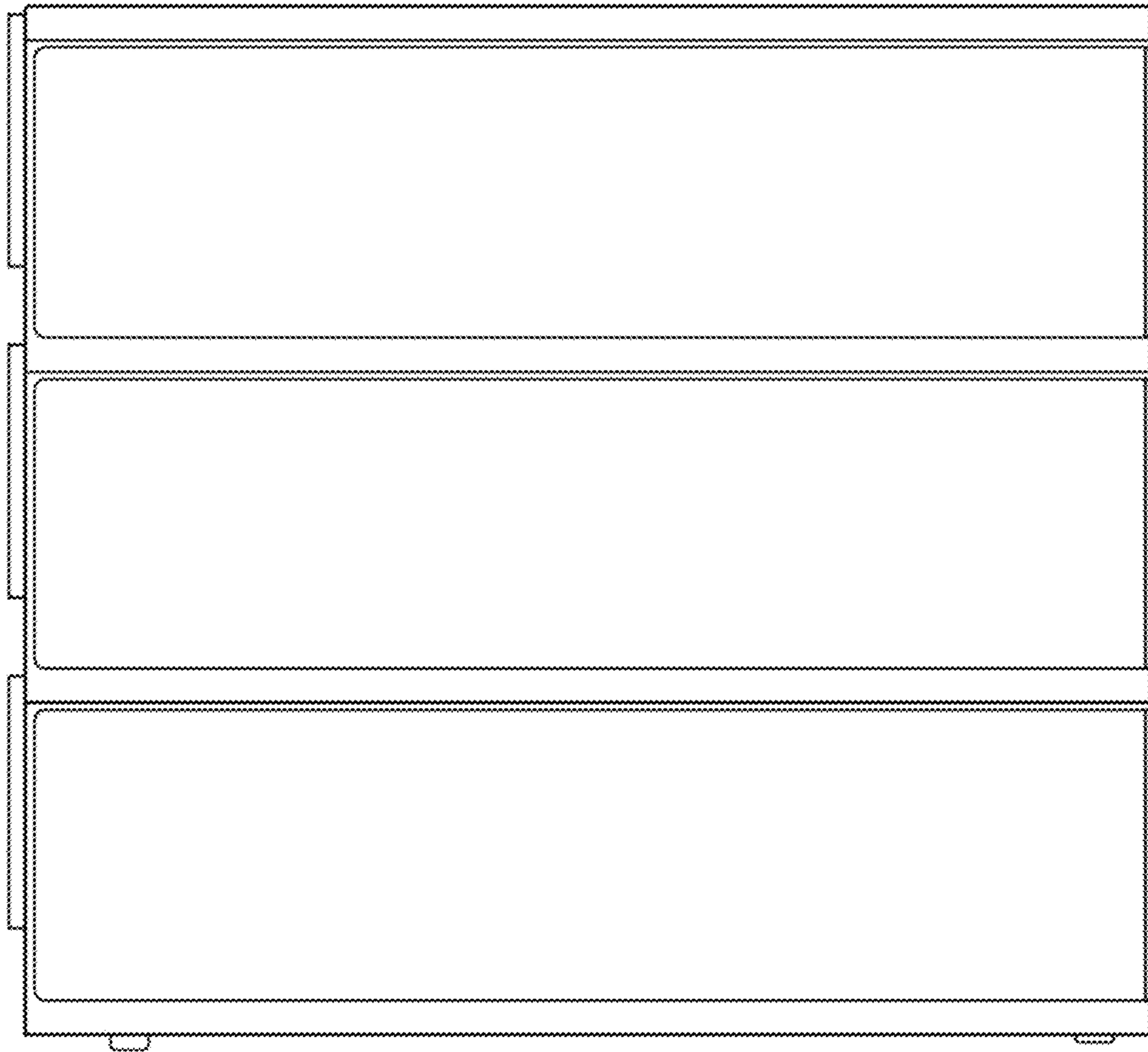


FIG. 4



FIG. 5

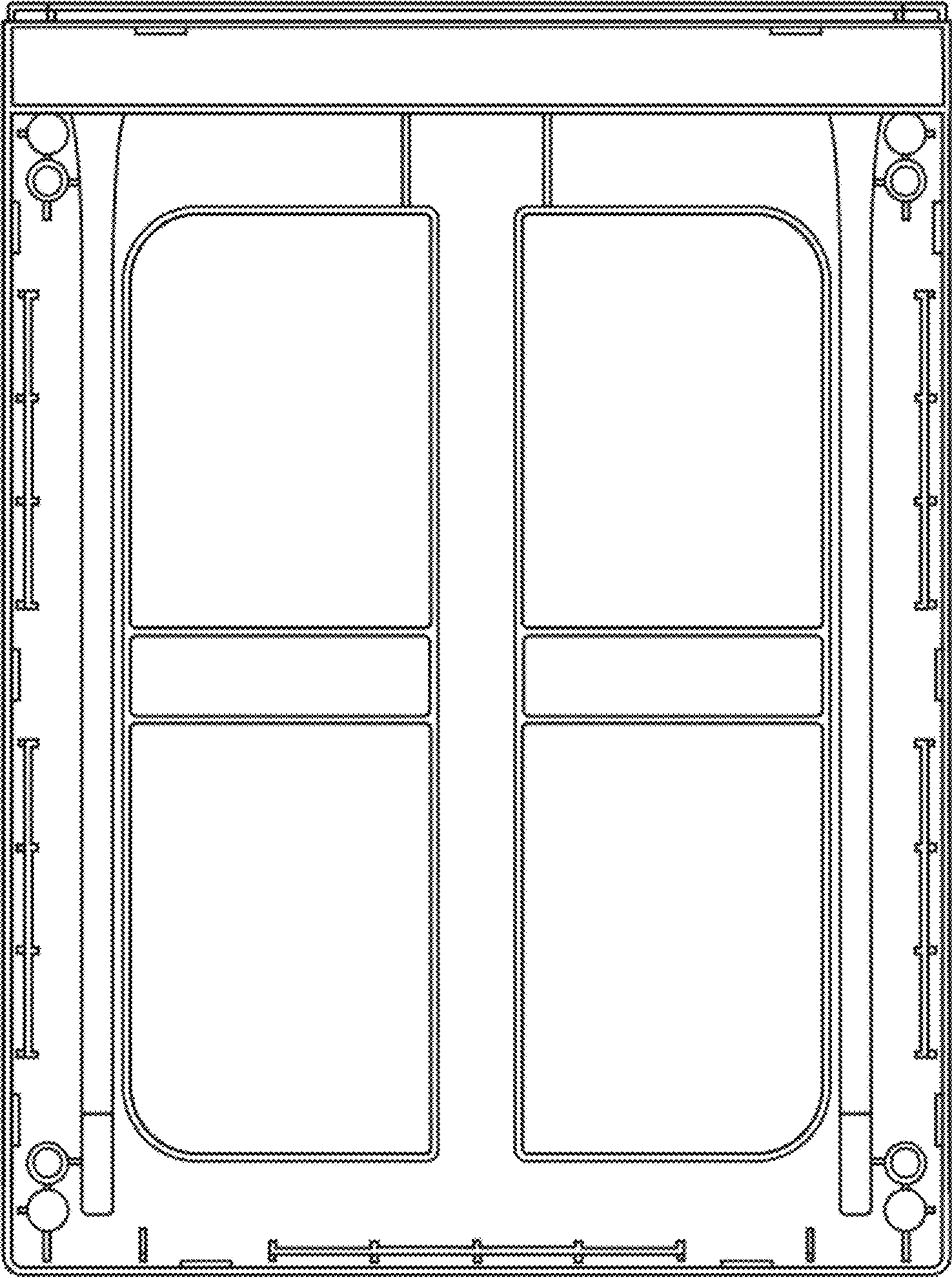


FIG. 6



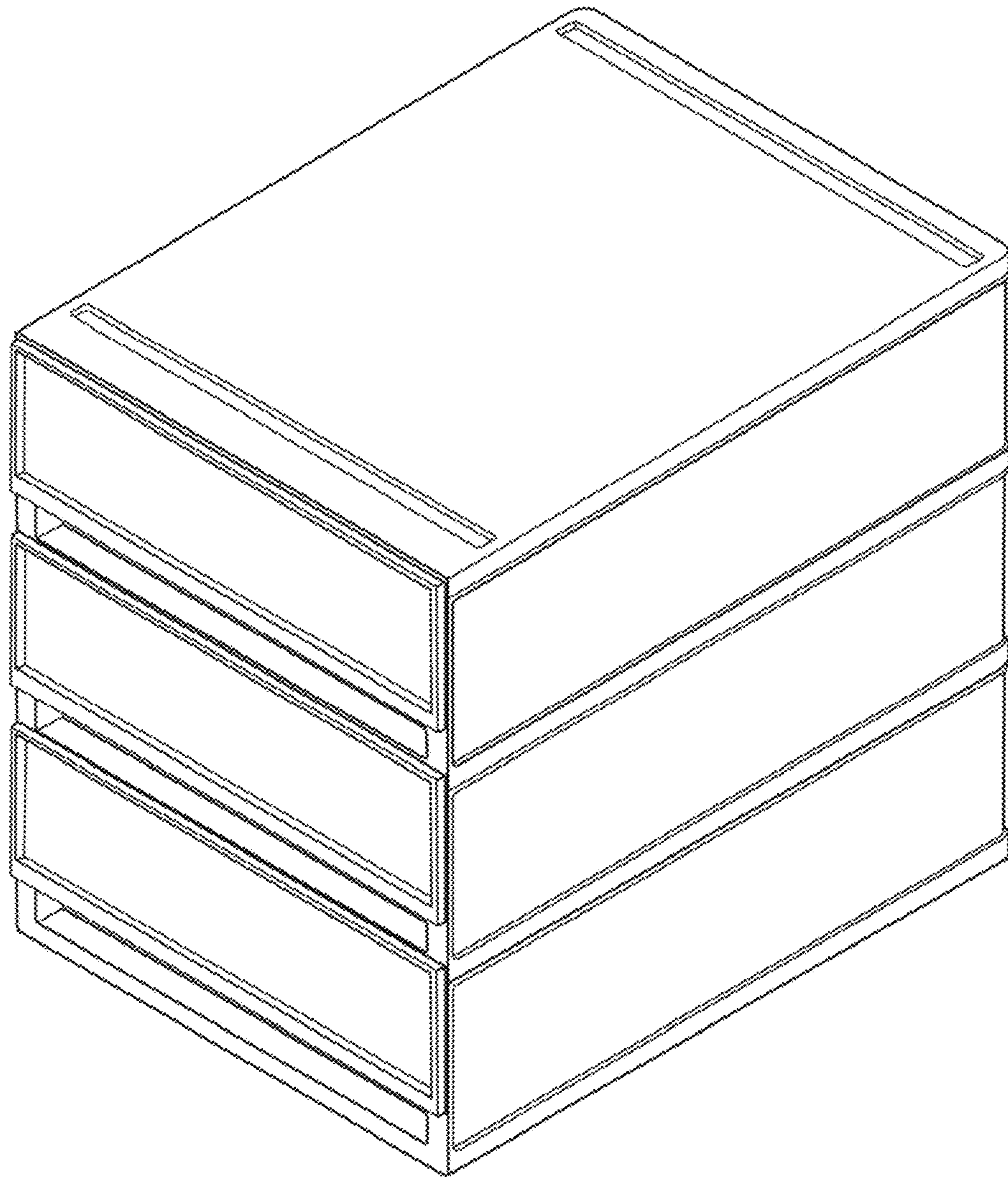


FIG. 7

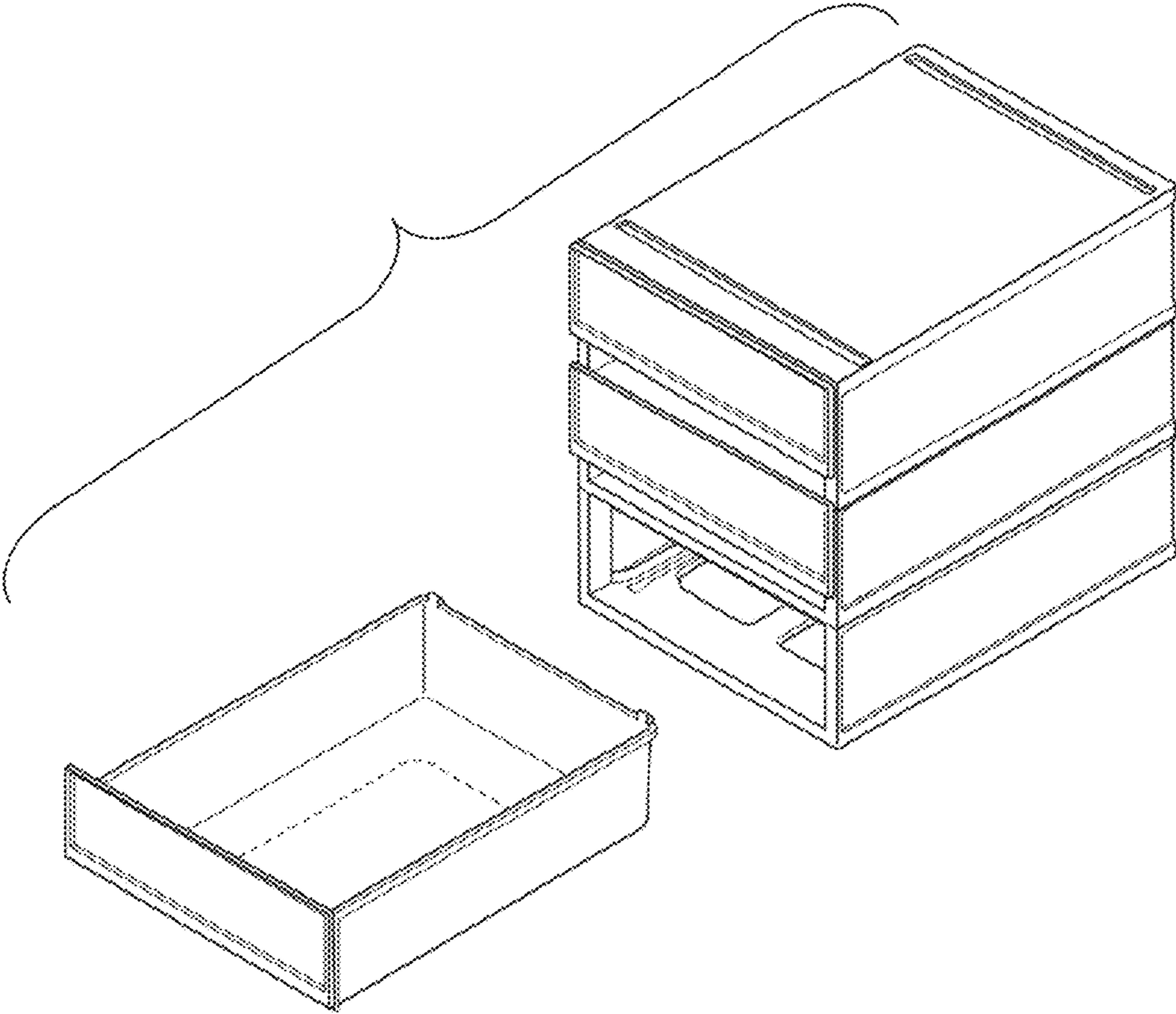


FIG. 8

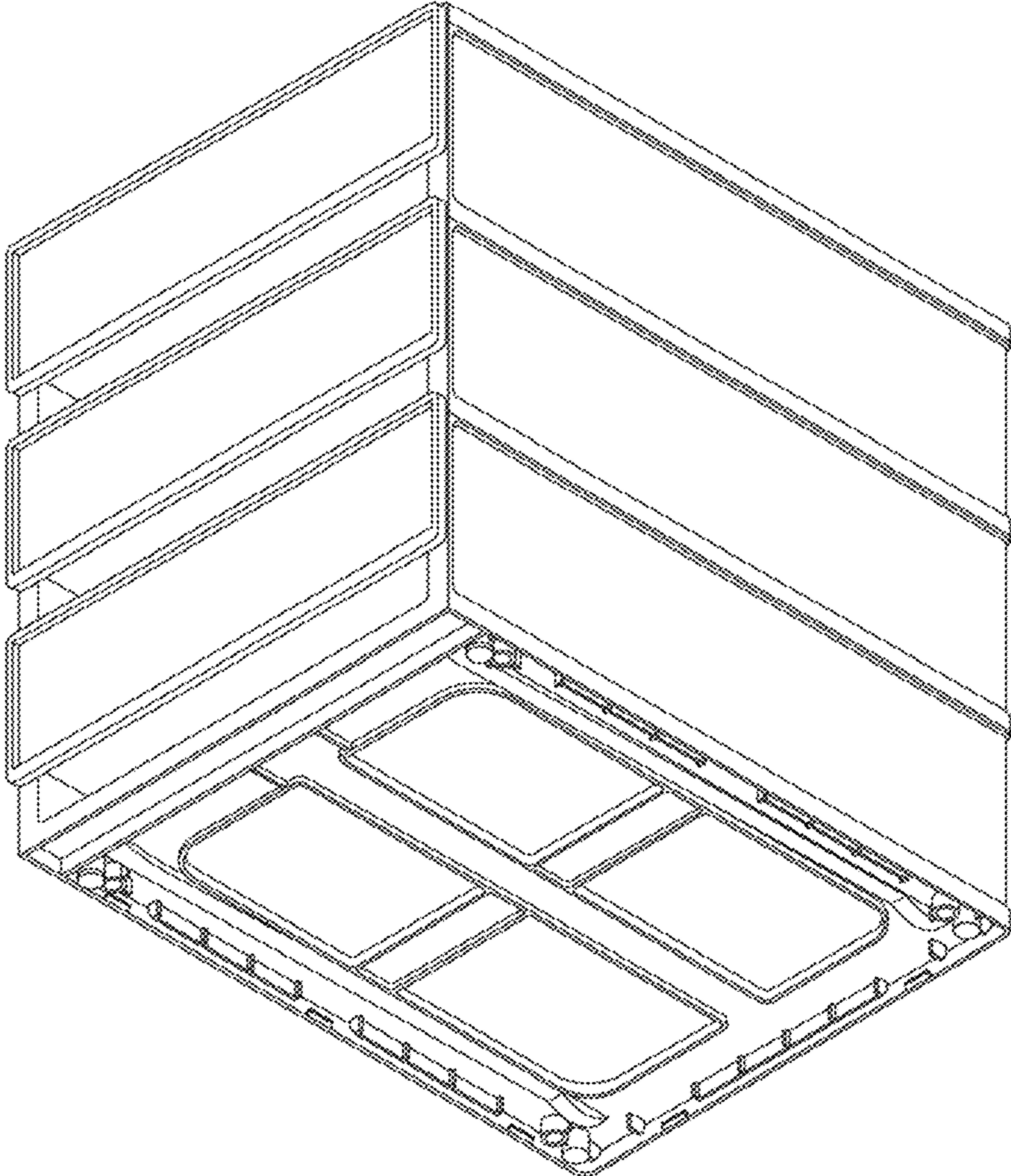


FIG. 9