



US00D785325S

(12) **United States Design Patent**
Samrelius et al.

(10) **Patent No.:** **US D785,325 S**

(45) **Date of Patent:** **** May 2, 2017**

(54) **BABY CHANGING BAG**

(71) Applicant: **BABYBJÖRN AB**, Solna (SE)

(72) Inventors: **Jonas Samrelius**, Stockholm (SE);
Filip Sauer, Stockholm (SE)

(73) Assignee: **BaybyBjörn AB**, Solna (SE)

(**) Term: **15 Years**

(21) Appl. No.: **35/500,433**

(22) Filed: **Jul. 1, 2015**

(80) **Hague Agreement Data**

Int. Filing Date: **May 29, 2015**

Int. Reg. No.: **DM/087367**

Int. Reg. Date: **Jul. 1, 2015**

Int. Reg. Pub. Date: **Jan. 1, 2016**

(30) **Foreign Application Priority Data**

Dec. 16, 2014 (EM) 002599027

(51) **LOC (10) Cl.** **03-01**

(52) **U.S. Cl.**
USPC **D3/246**

(58) **Field of Classification Search**

USPC D3/232-233, 240-243, 245-246, 274,
D3/276, 287, 289, 290, 318, 324, 328

CPC A45C 1/024; A45C 3/06

See application file for complete search history.

(56) **References Cited**

U.S. PATENT DOCUMENTS

D390,700 S * 2/1998 Miller D3/245

D462,516 S * 9/2002 Delafontaine D3/246

D609,008 S *	2/2010	Diamant	D3/243
D630,844 S *	1/2011	Wang	D3/232
D693,573 S *	11/2013	Holefleisch	D3/243
D725,900 S *	4/2015	McCue	D3/232
D726,407 S *	4/2015	Kuster	D3/232
D732,899 S *	6/2015	Seiders	D3/246
D746,053 S *	12/2015	Sassi	D3/232
D756,109 S *	5/2016	Hayashi	D3/232
D761,561 S *	7/2016	Cheng	D3/246
D764,791 S *	8/2016	Patel	D3/232
2015/0201722 A1 *	7/2015	Brouard	A45C 3/001 150/107

* cited by examiner

Primary Examiner — Barbara Fox

Assistant Examiner — Holly E Thurman

(74) *Attorney, Agent, or Firm* — Studebaker & Brackett
PC

(57) **CLAIM**

The ornamental design for a baby changing bag, as shown and described.

DESCRIPTION

1. Baby changing bag

1.1 is a front perspective view of a baby changing bag showing the new design;

1.2 is a rear perspective view thereof;

1.3 is a front elevation view thereof;

1.4 is a rear elevation view thereof;

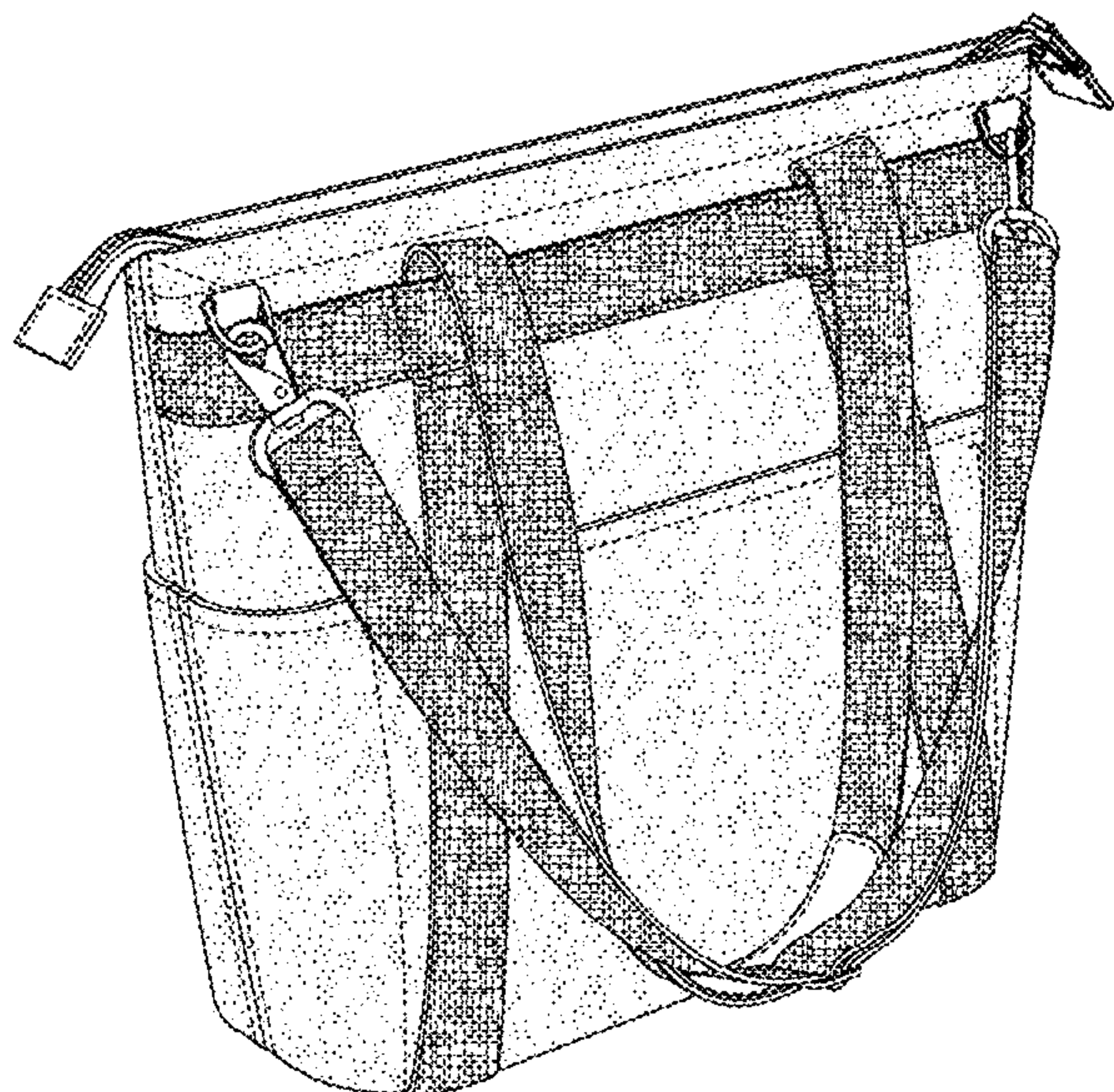
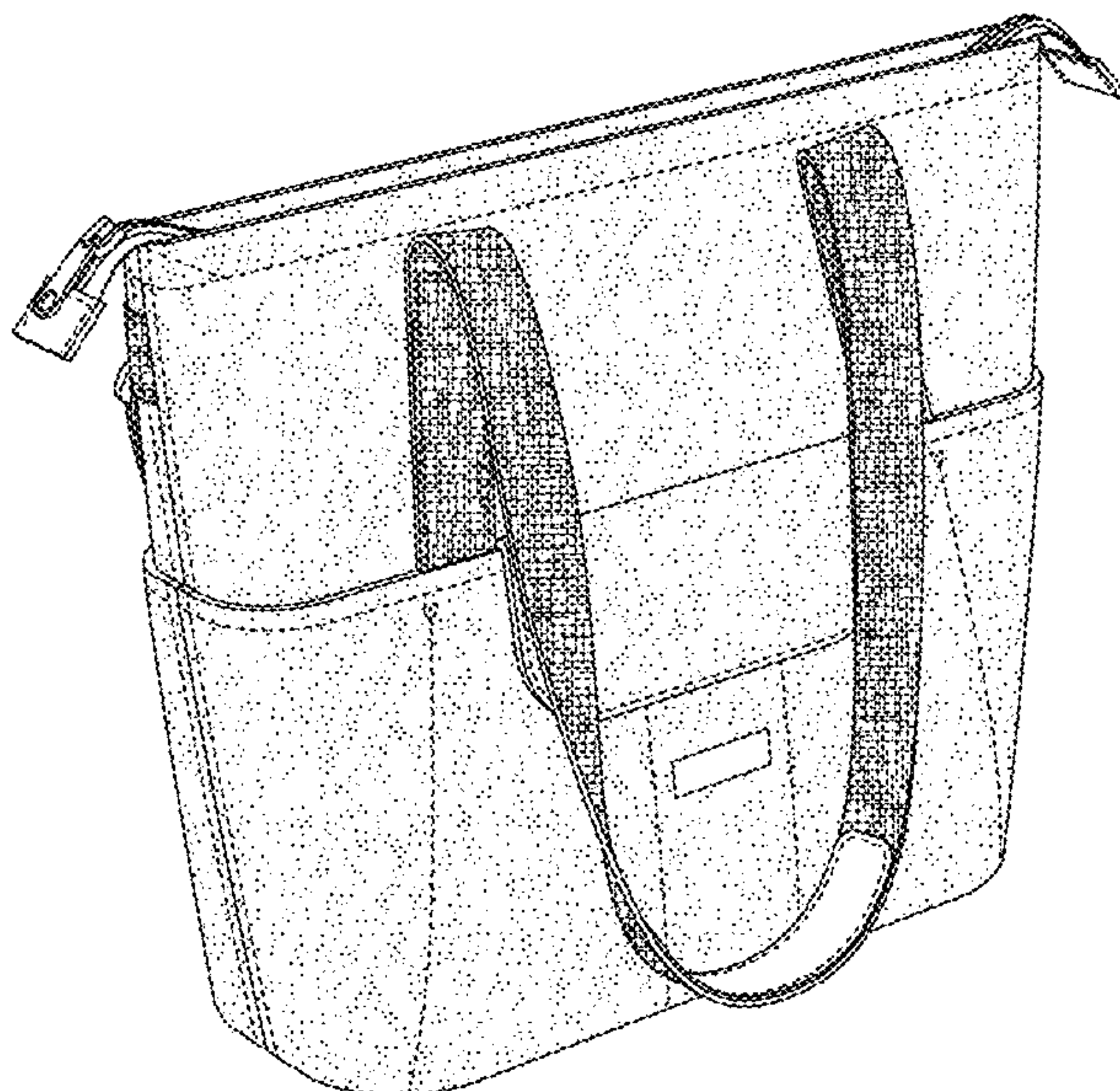
1.5 is a left side elevation view thereof;

1.6 is a top plan view thereof; and

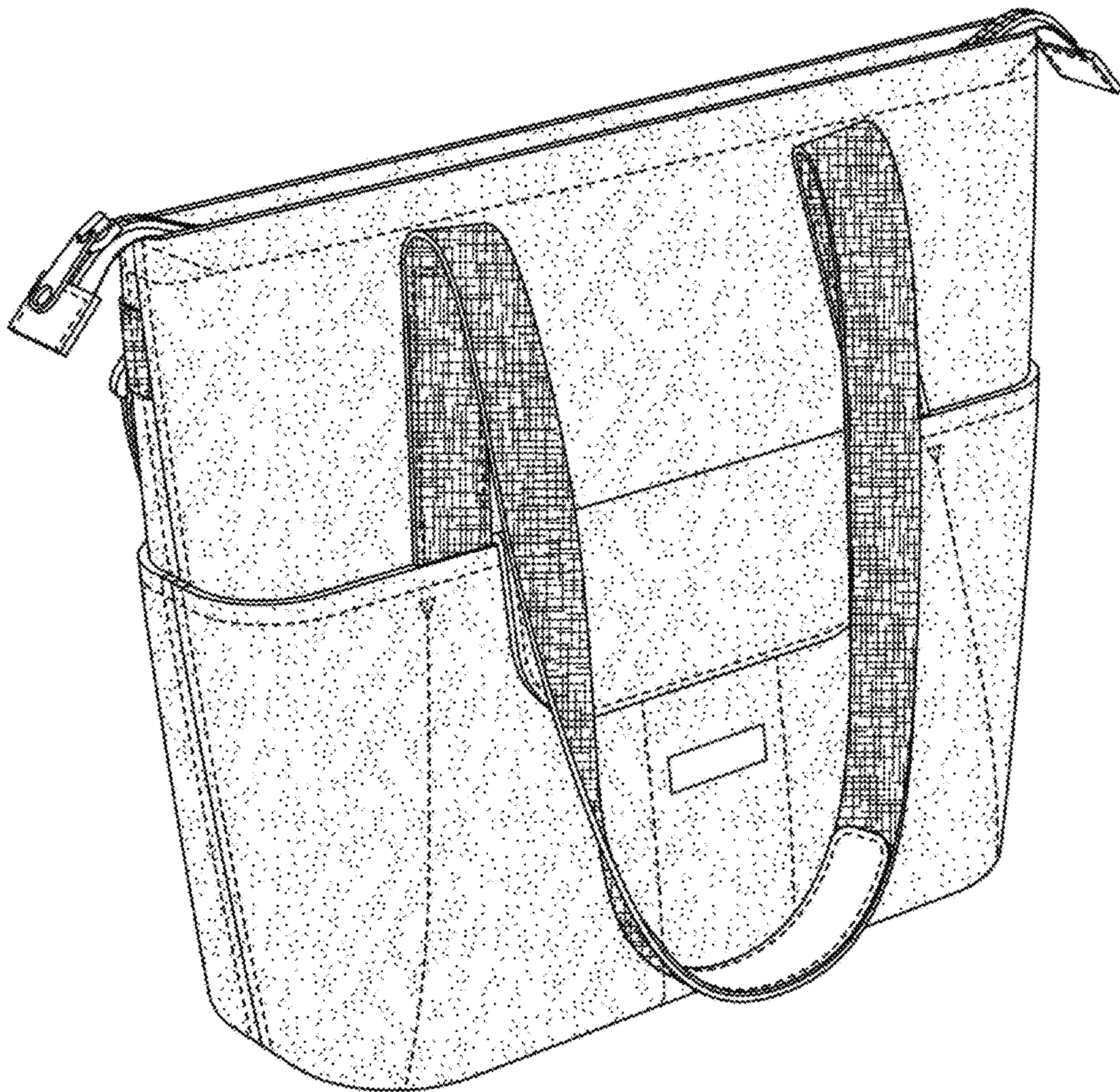
1.7 is a bottom plan view thereof.

The stipple shading and the crosshatch shading illustrate contrasting material. The broken lines in the drawings depict decorative stitching and forms part of the claimed design.

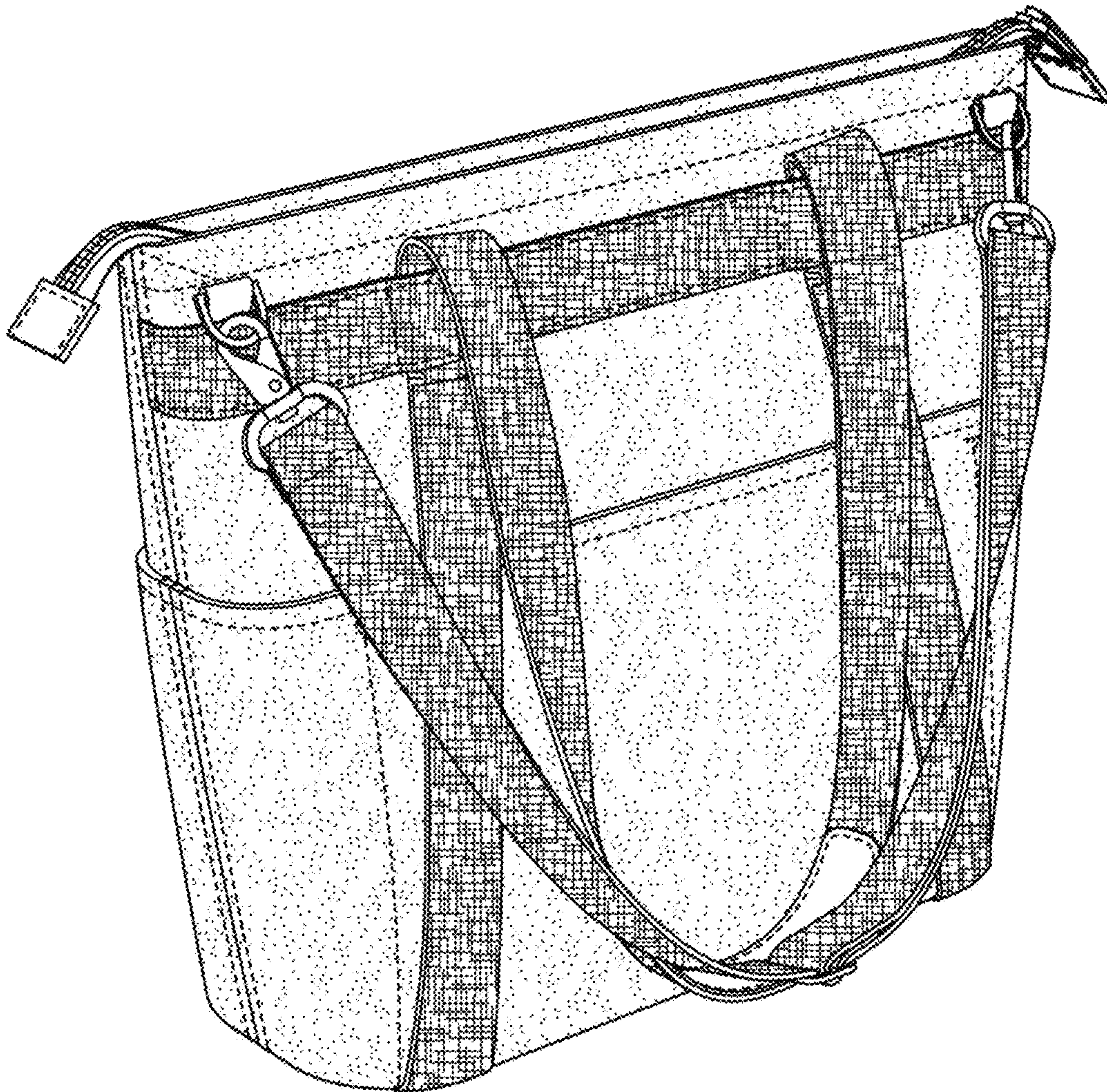
1 Claim, 7 Drawing Sheets



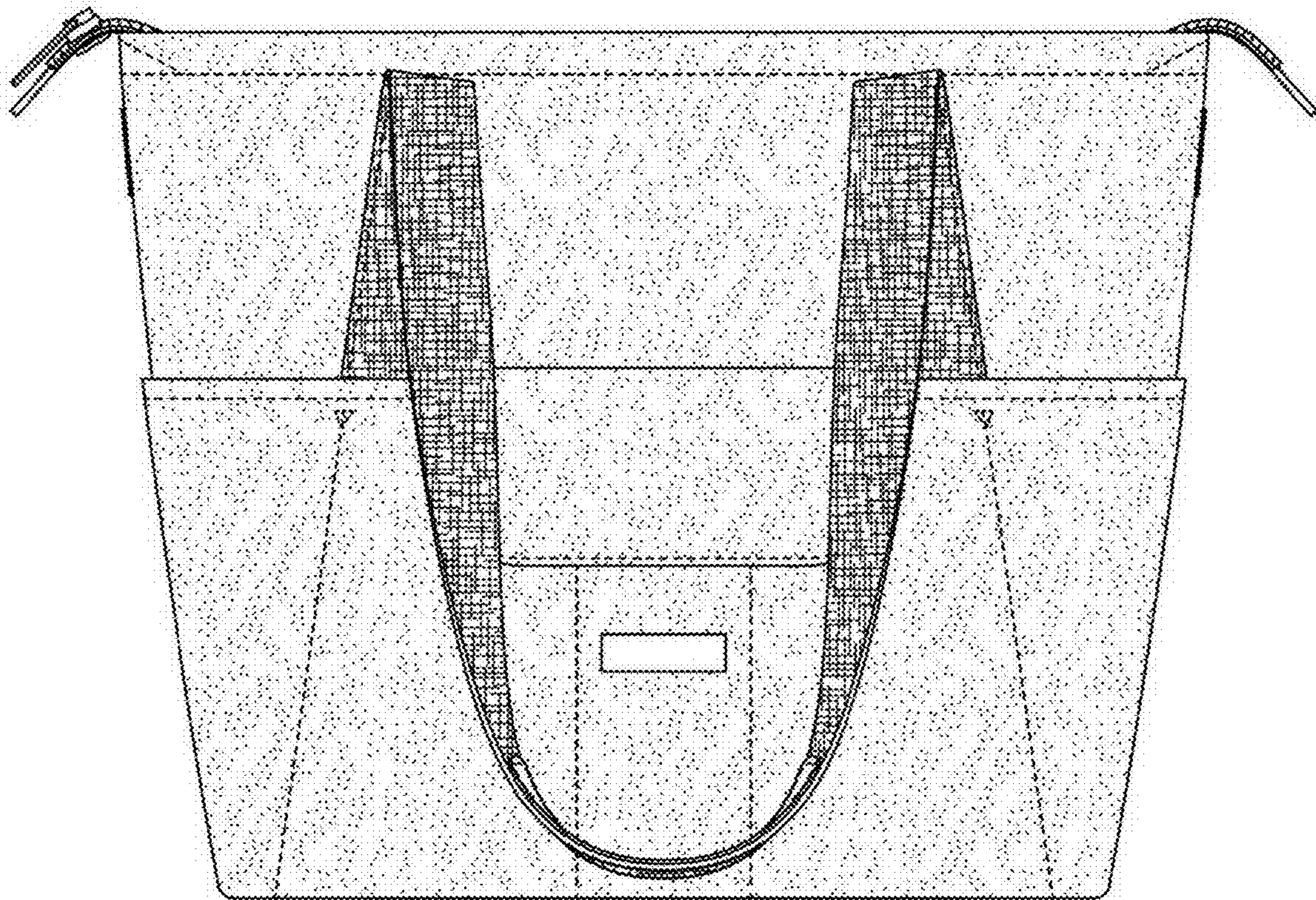
1.1



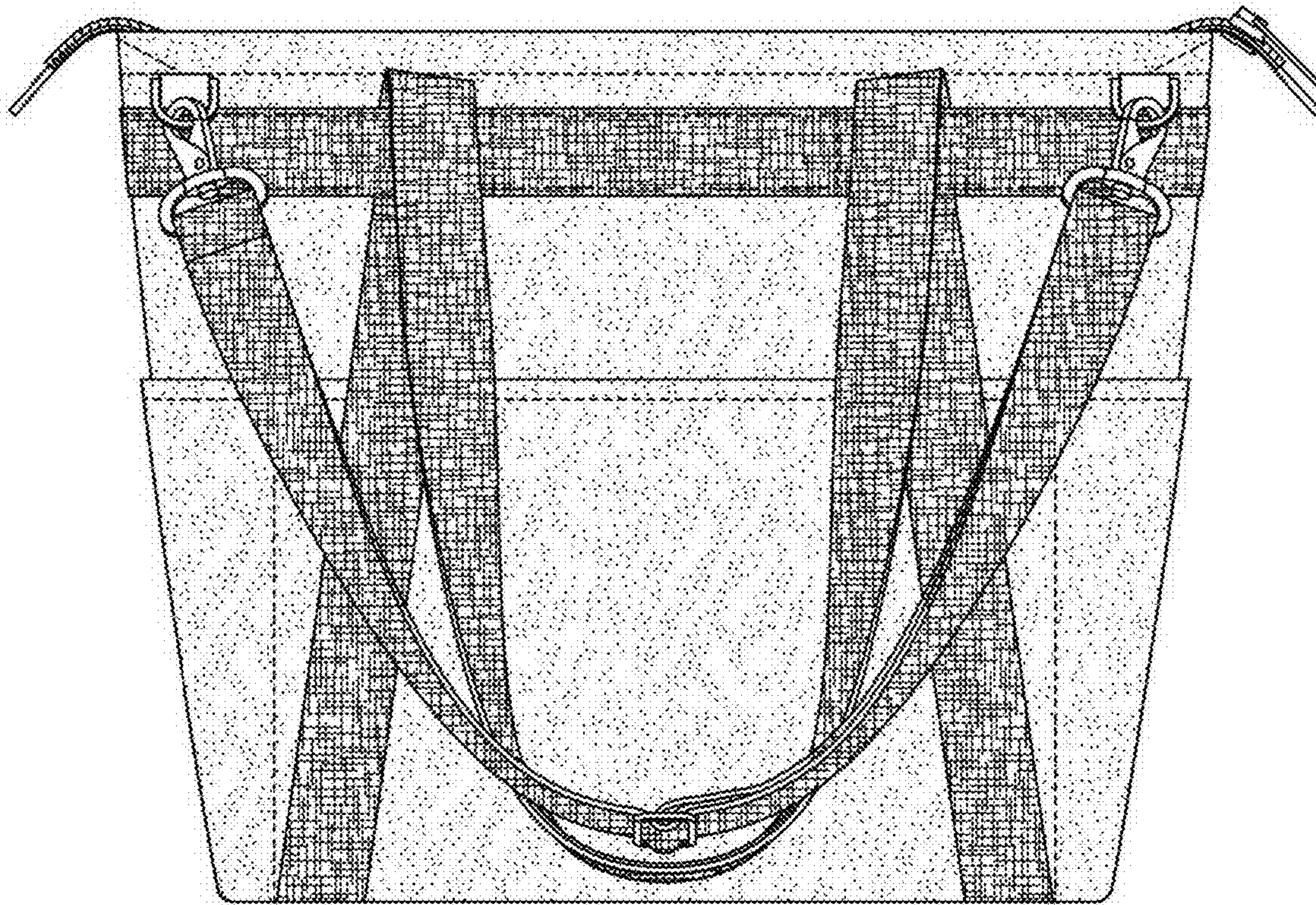
1.2



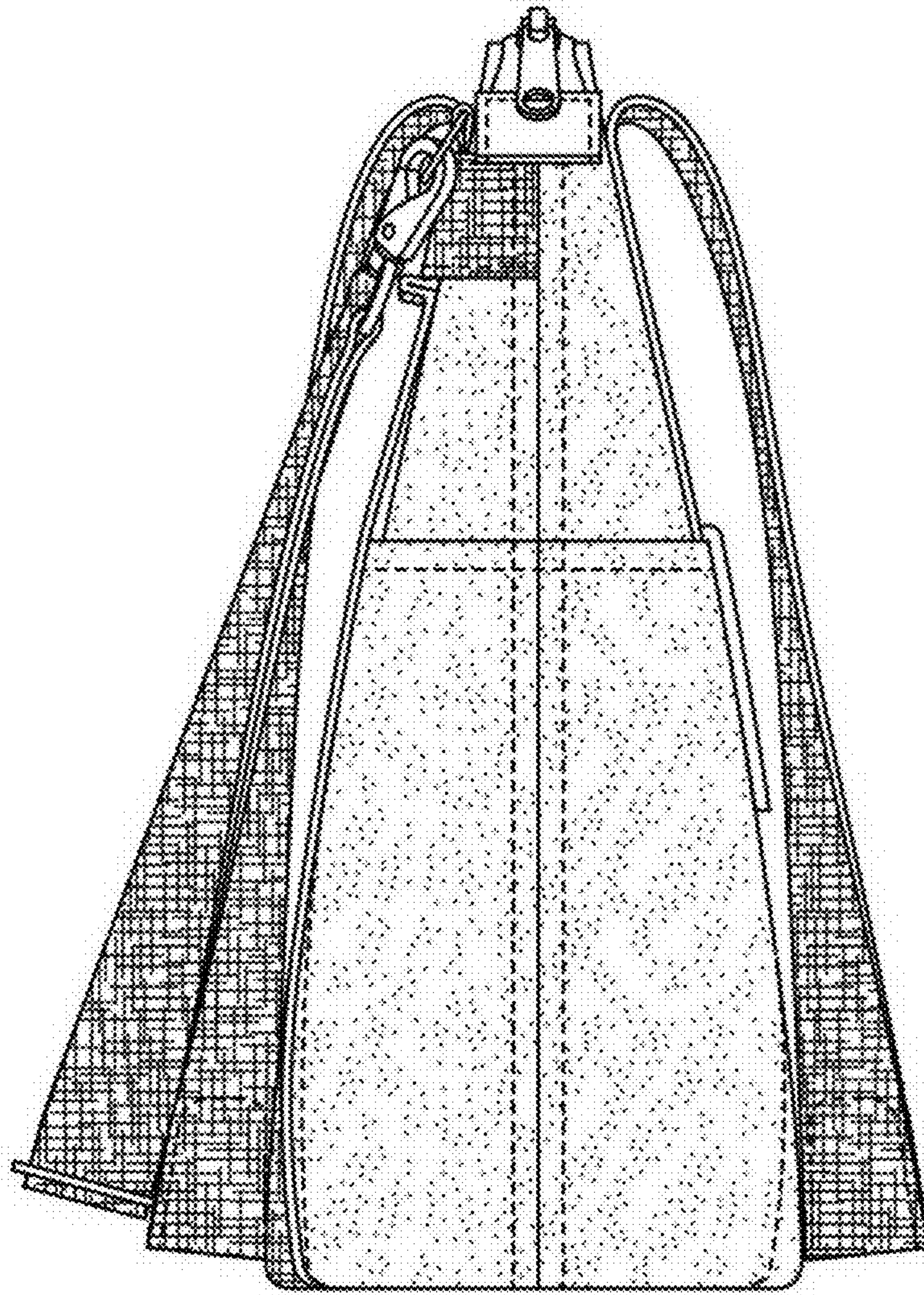
1.3



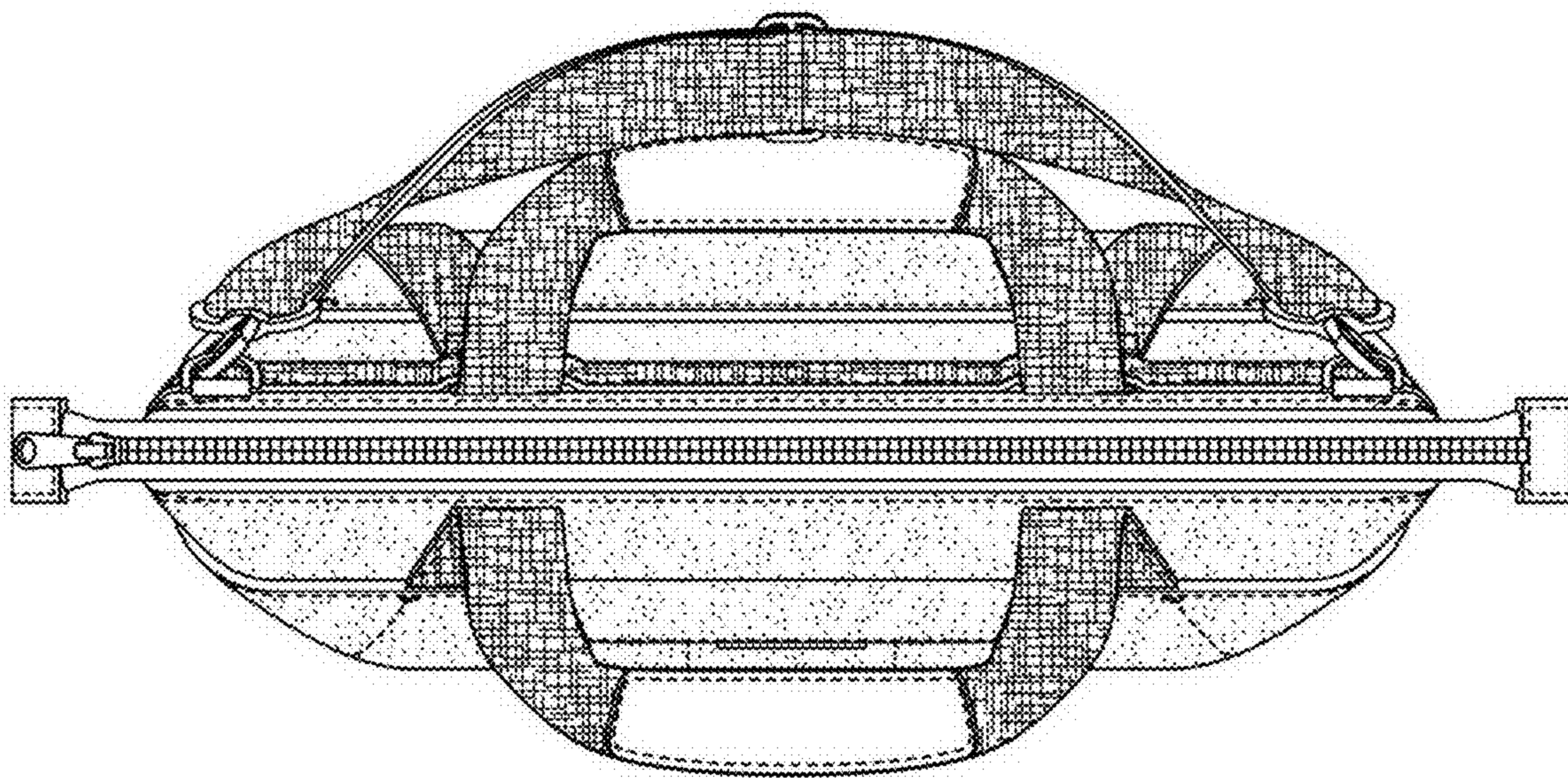
1.4



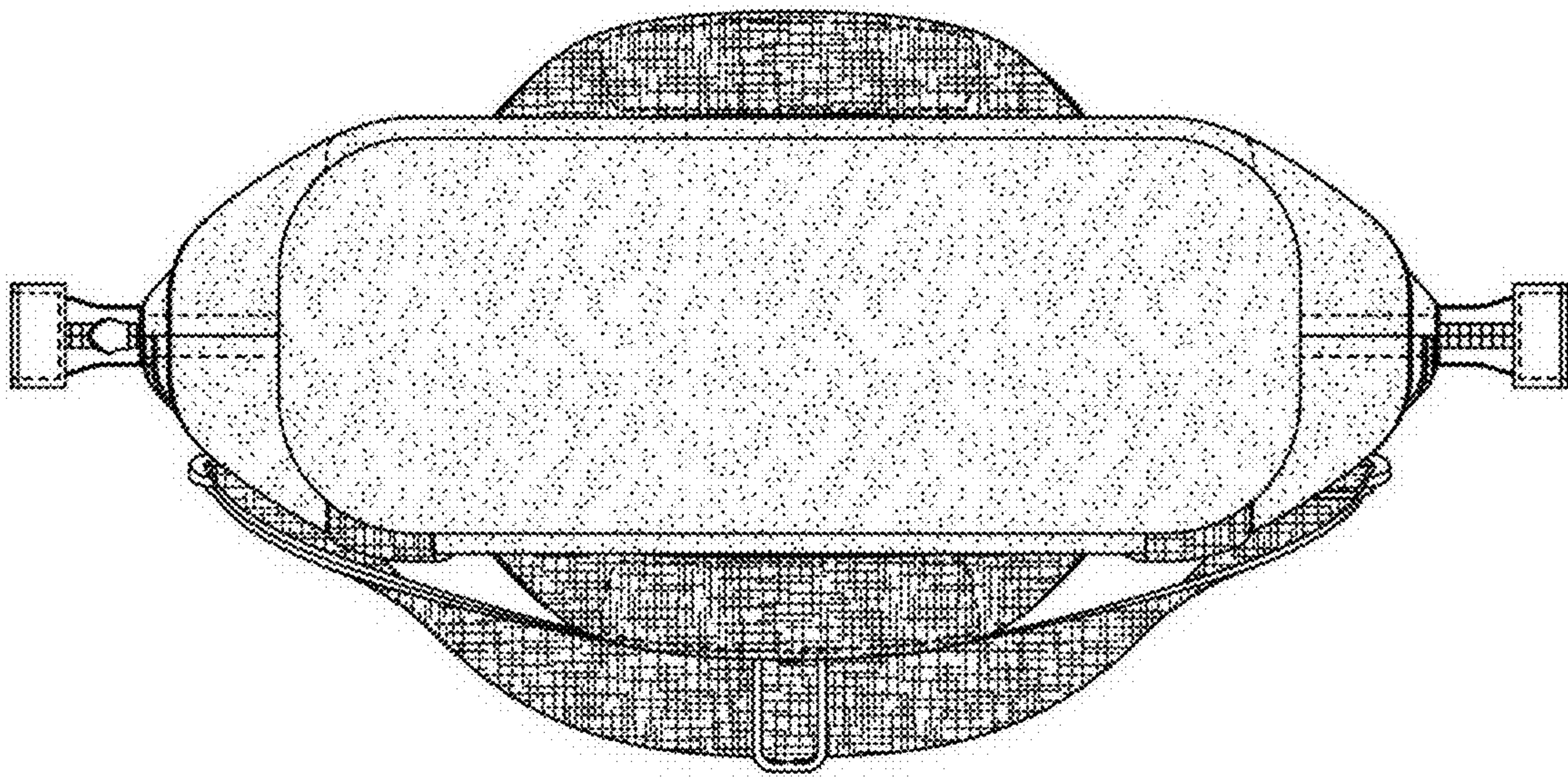
1.5



1.6



1.7



UNITED STATES PATENT AND TRADEMARK OFFICE
CERTIFICATE OF CORRECTION

PATENT NO. : D785,325 S
APPLICATION NO. : 35/500433
DATED : May 2, 2017
INVENTOR(S) : Samrelius et al.

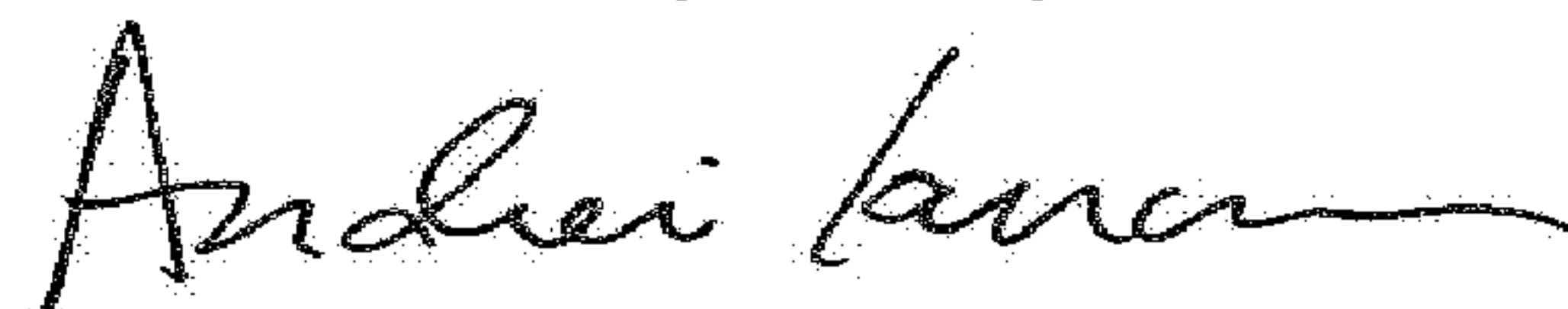
Page 1 of 1

It is certified that error appears in the above-identified patent and that said Letters Patent is hereby corrected as shown below:

On the Title Page

Item (73) Assignee should read: BabyBjörn AB, Solna (SE)

Signed and Sealed this
Tenth Day of July, 2018



Andrei Iancu
Director of the United States Patent and Trademark Office