



US00D785320S

(12) **United States Design Patent**
Kostal et al.

(10) **Patent No.:** **US D785,320 S**

(45) **Date of Patent:** **** May 2, 2017**

(54) **BATON HOLSTER**

(71) Applicants: **Bretislav Kostal**, Praha (CZ); **Vladimir Kupa**, Praha (CZ)

(72) Inventors: **Bretislav Kostal**, Praha (CZ); **Vladimir Kupa**, Praha (CZ)

(**) Term: **15 Years**

(21) Appl. No.: **29/563,054**

(22) Filed: **May 2, 2016**

(30) **Foreign Application Priority Data**

Oct. 31, 2015 (EM) 002843375-0001

(51) **LOC (10) Cl.** **03-01**

(52) **U.S. Cl.**
USPC **D3/229**

(58) **Field of Classification Search**
USPC D3/229, 215; D22/117-120; 224/197,
224/200, 236, 245, 247, 251, 911, 914
CPC A45F 5/02; A45F 2200/0566; A45F
2200/0591
See application file for complete search history.

(56) **References Cited**

U.S. PATENT DOCUMENTS

4,955,518 A * 9/1990 Parsons A45F 5/02
224/247
5,263,619 A * 11/1993 Shoemaker F41B 15/02
224/236

D450,451 S * 11/2001 Starrett D3/229
6,497,349 B1 * 12/2002 Ramirez A45F 5/00
224/200
6,889,878 B2 * 5/2005 Parsons A45F 5/02
224/197
D528,786 S * 9/2006 Parsons D3/229

* cited by examiner

Primary Examiner — Catheri Oliver-Garcia
(74) *Attorney, Agent, or Firm* — Jacobson Holman,
PLLC.

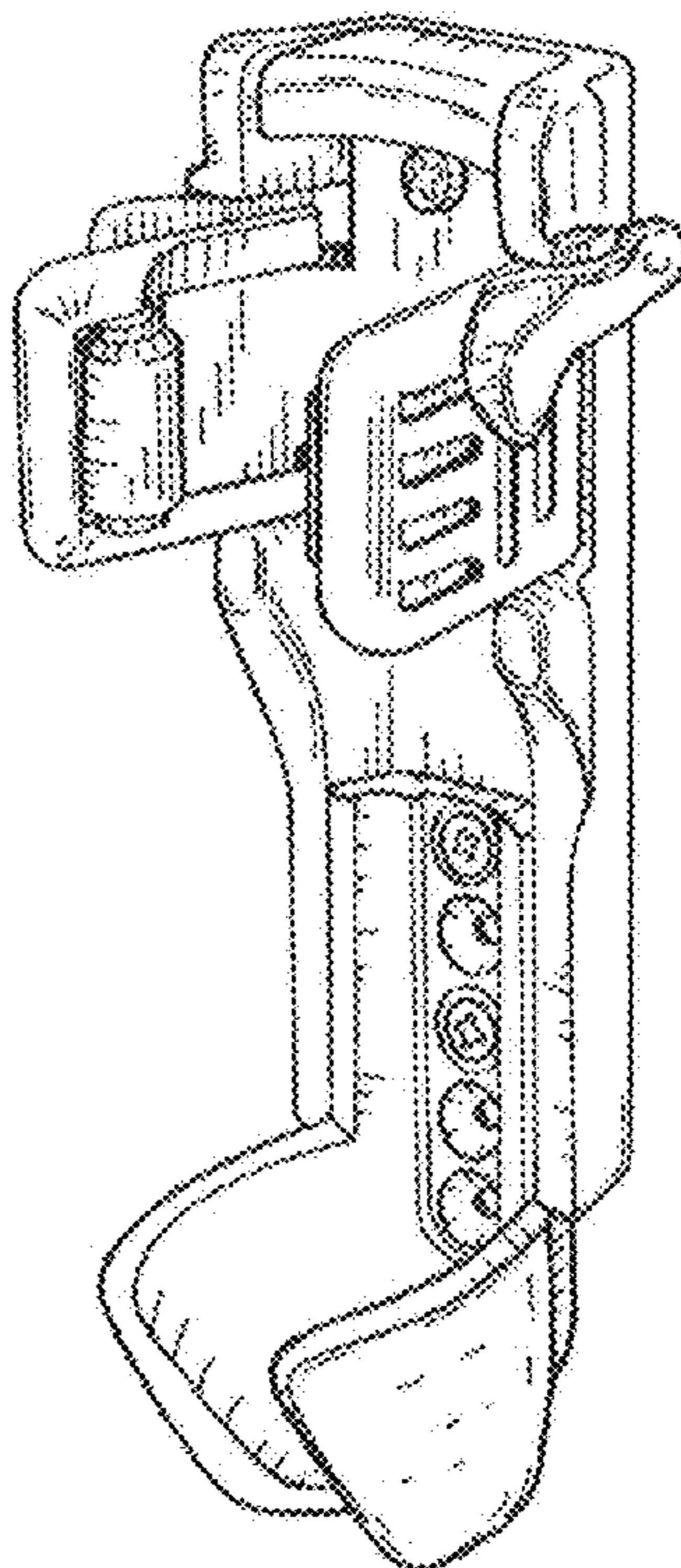
(57) **CLAIM**

We claim the ornamental design for a baton holster, as shown and described.

DESCRIPTION

FIG. 1 is a front perspective view of a baton holster embodying our design;
FIG. 2 is a front elevational view of FIG. 1;
FIG. 3 is a rear elevational view of FIG. 1;
FIG. 4 is a right side elevational view of FIG. 1, and the left side elevational view being the same;
FIG. 5 is a top plan view of FIG. 1; and,
FIG. 6 is a bottom view of Figure.

1 Claim, 5 Drawing Sheets



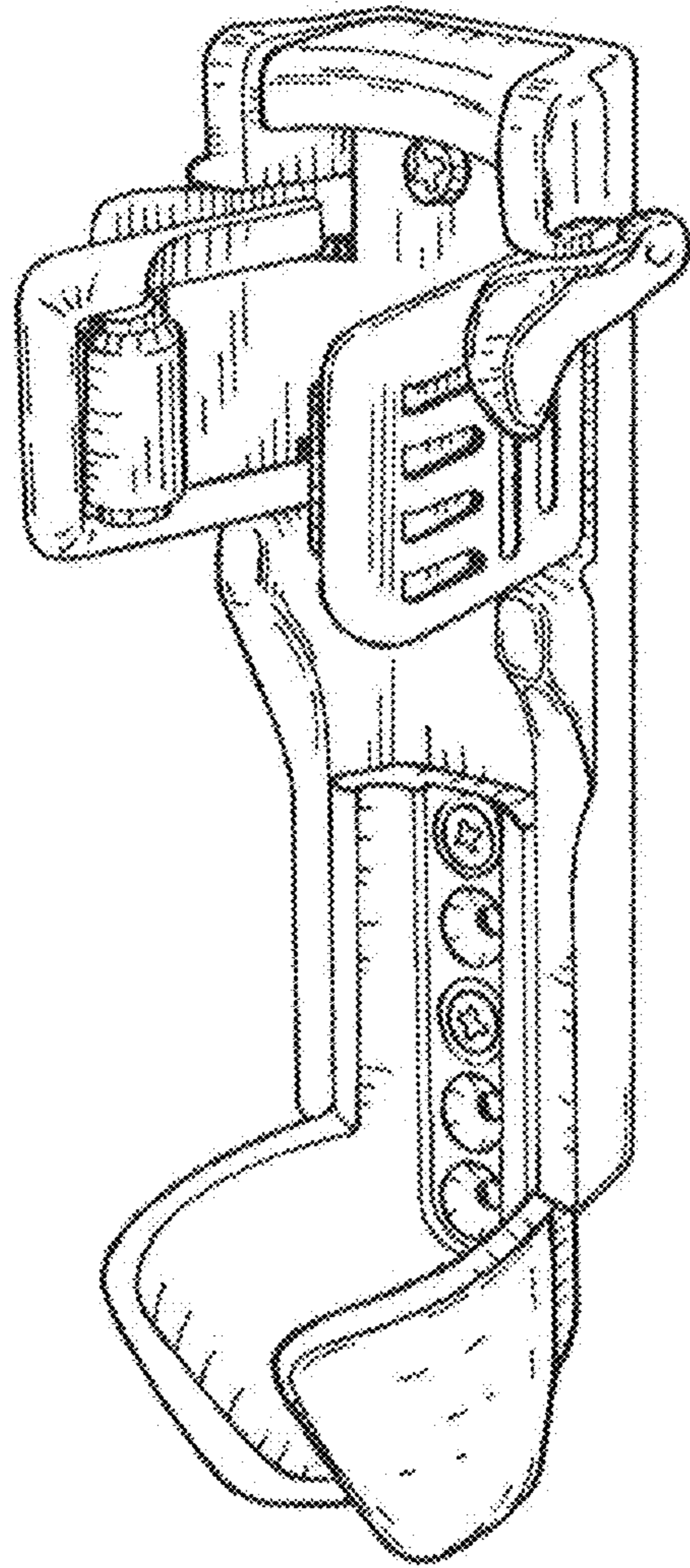


FIG. 1

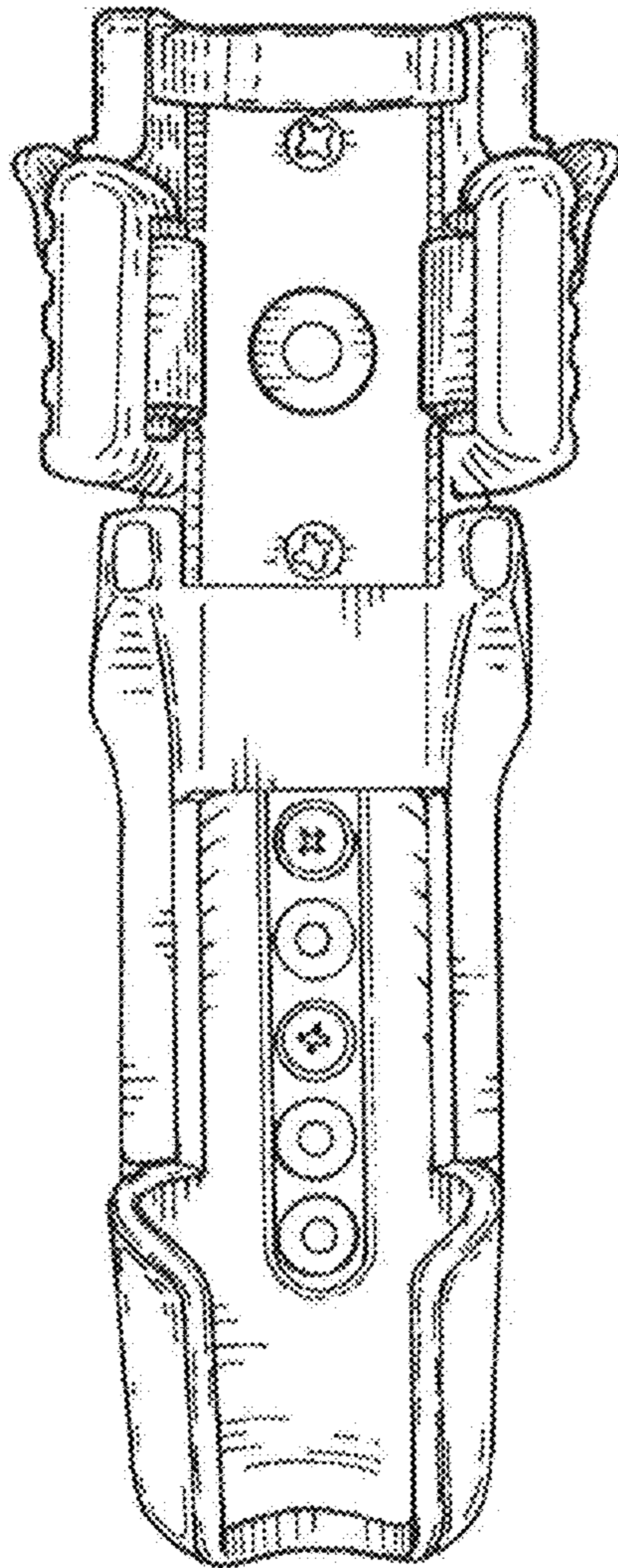


FIG. 2

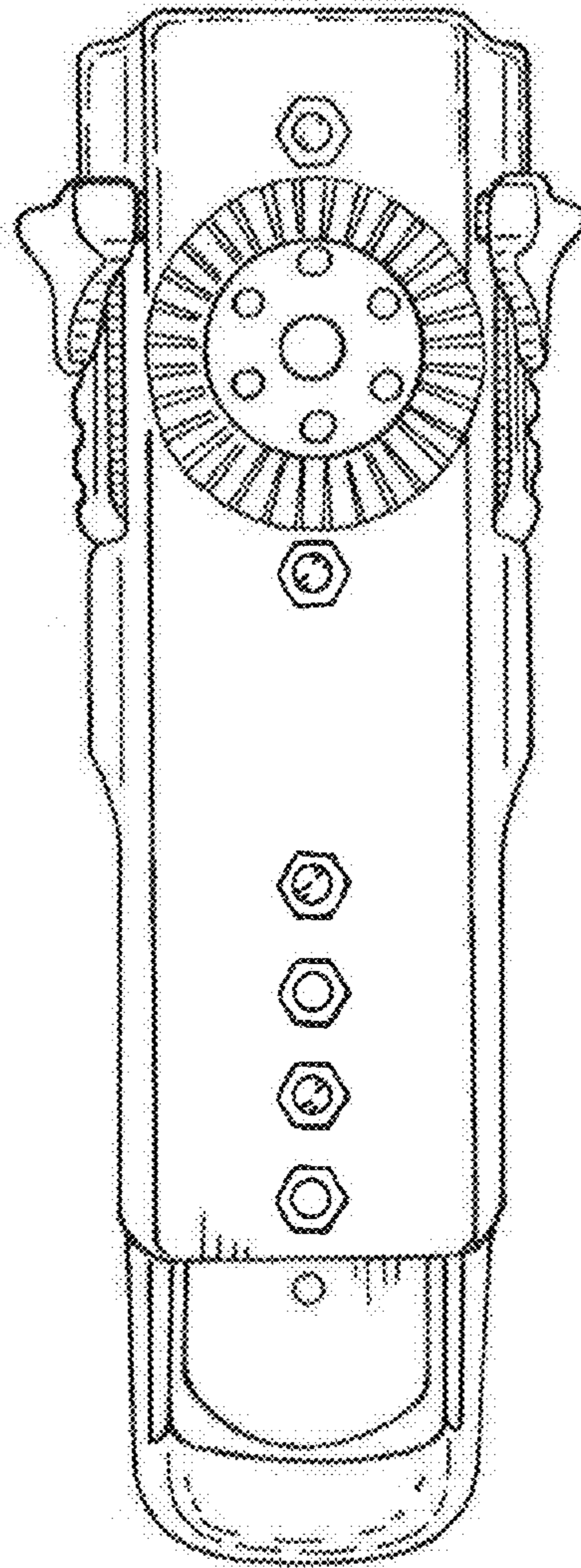


FIG. 3

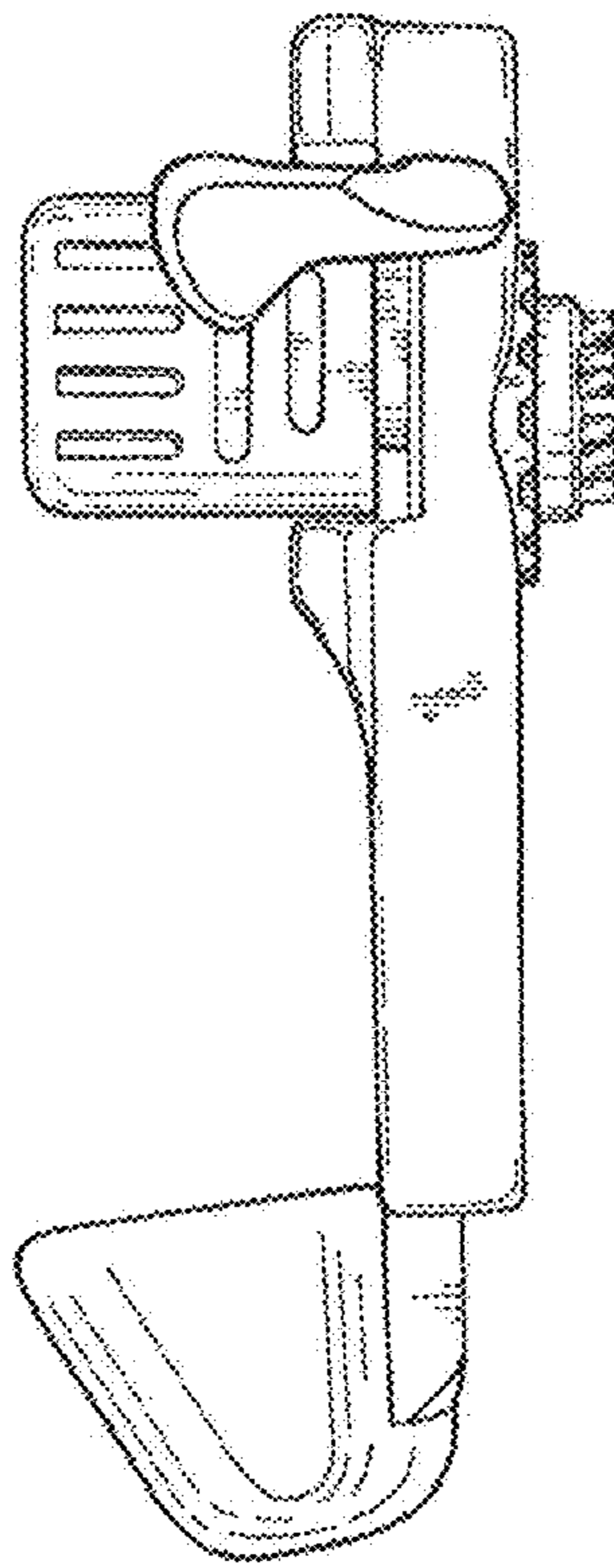


FIG. 4

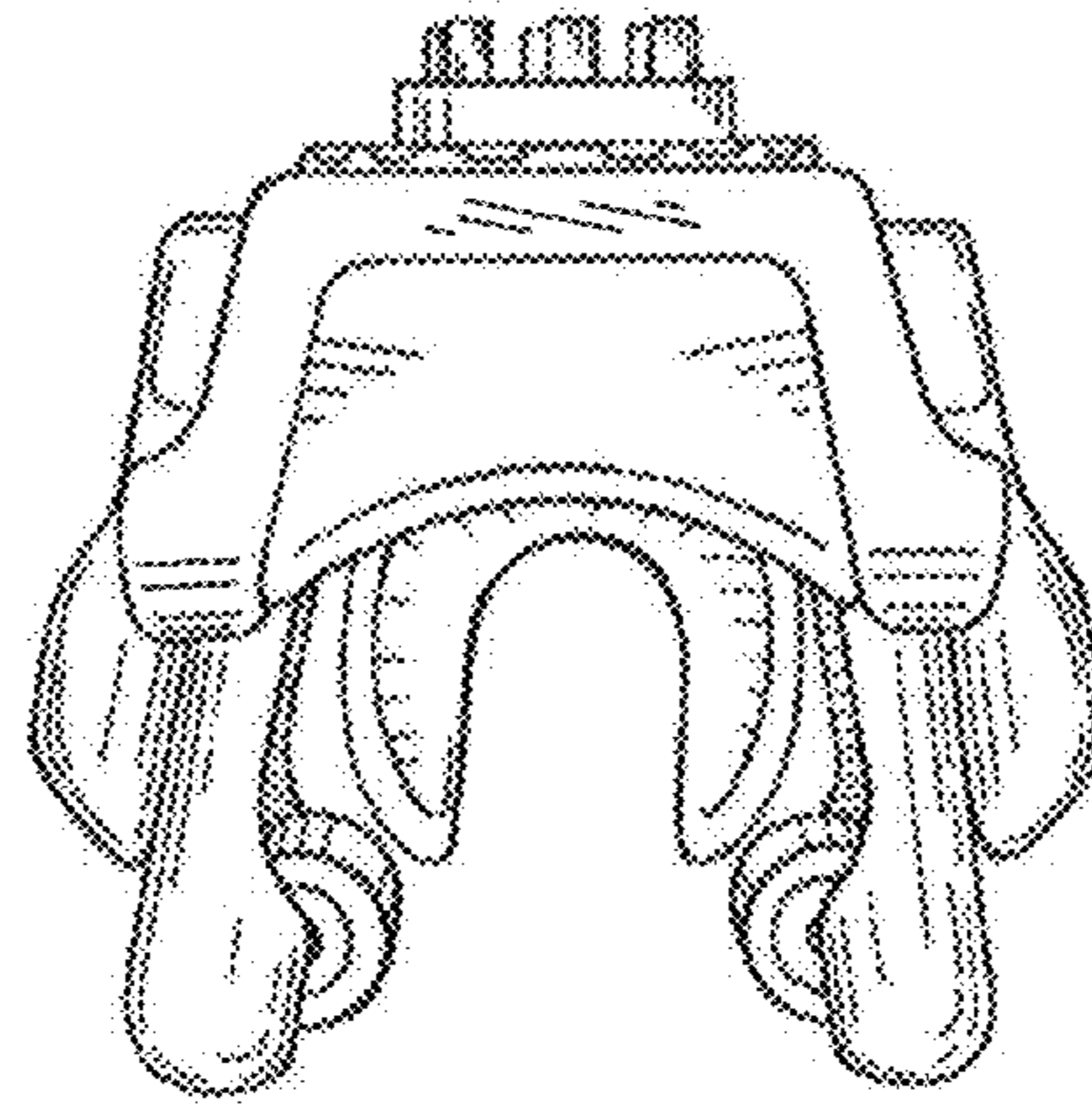


FIG. 5

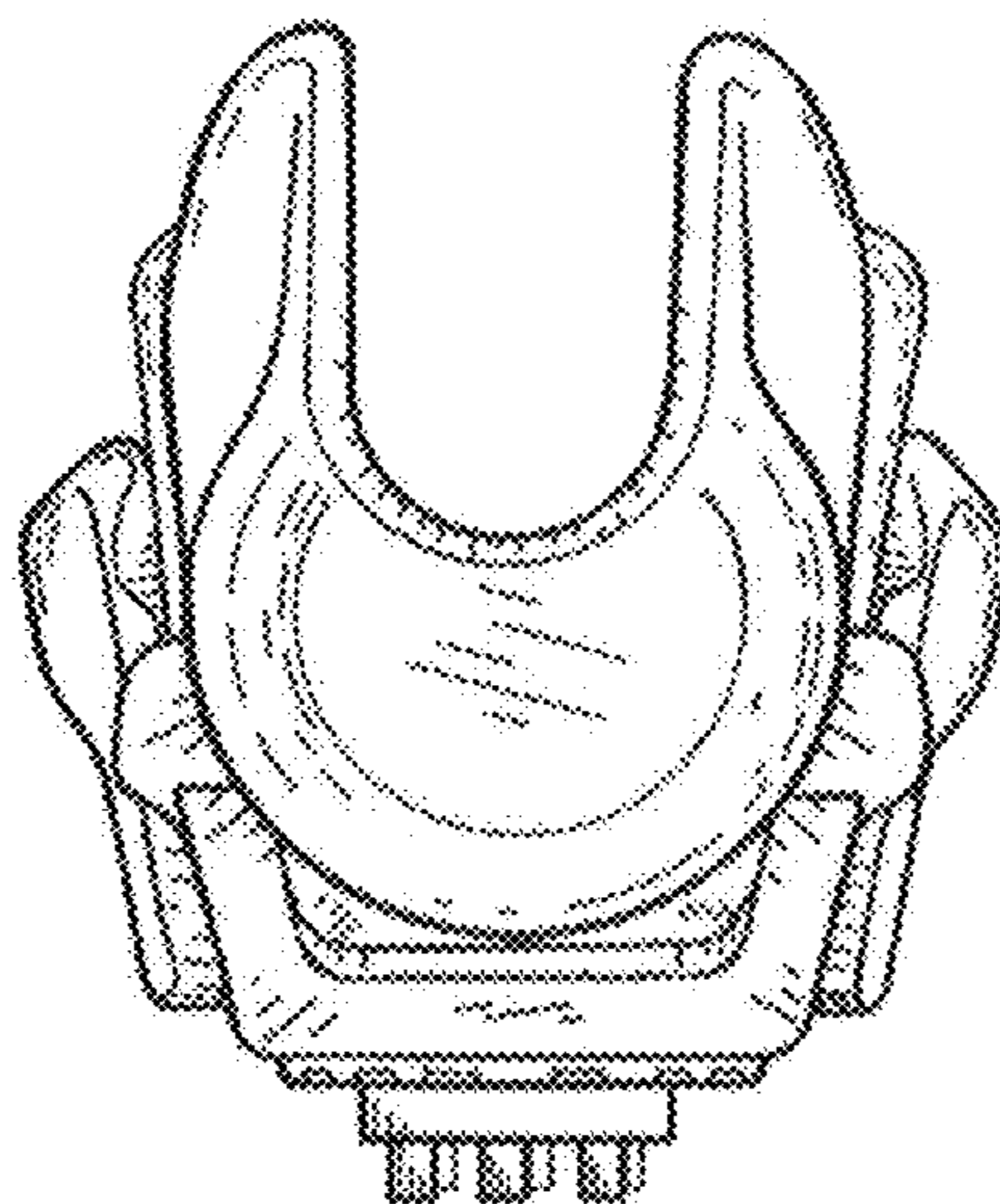


FIG. 6