



US00D785318S

(12) **United States Design Patent**
Holmes

(10) **Patent No.:** **US D785,318 S**

(45) **Date of Patent:** **** May 2, 2017**

(54) **ARM SLEEVE CARRIER**

(71) Applicant: **Timothy A. Holmes**, New Orleans, LA (US)

(72) Inventor: **Timothy A. Holmes**, New Orleans, LA (US)

(**) Term: **15 Years**

(21) Appl. No.: **29/536,205**

(22) Filed: **Aug. 14, 2015**

(51) **LOC (10) Cl.** **03-01**

(52) **U.S. Cl.**
USPC **D3/215**

(58) **Field of Classification Search**
USPC D3/214-217, 221, 224, 226, 231, 247,
D3/265-268, 300, 303, 229-230;
D2/610, 614, 624, 626-627, 629
CPC A41F 1/00; A41F 9/00; A41F 9/002; A41F
9/02; A41F 9/025; A45F 3/00; A45F
3/005; A45F 3/006; A45F 2005/008;
A45C 1/04

See application file for complete search history.

(56) **References Cited**

U.S. PATENT DOCUMENTS

D359,835 S * 7/1995 Hadfield D2/610
D362,087 S * 9/1995 Anson D29/120.1
5,588,571 A * 12/1996 Mazzo A45C 1/04
150/136
D438,374 S * 3/2001 Hayman D3/215
6,330,961 B1 * 12/2001 Borja A45C 1/04
224/221
D465,324 S * 11/2002 Matthew D2/639
D487,844 S * 3/2004 Nichols D3/215
D572,465 S * 7/2008 Beck D3/215
D655,496 S * 3/2012 Lamey D3/215
D680,320 S * 4/2013 Kryklywicz D3/215
D691,367 S * 10/2013 Chappell D3/218
D701,001 S * 3/2014 Daniel D29/120.1

D707,361 S * 6/2014 Banks D24/190
D708,846 S * 7/2014 Waldon D3/218
D734,563 S * 7/2015 Daniel D29/120.1
D744,662 S * 12/2015 Stevens D2/614
9,468,243 B2 * 10/2016 Rothschild A41D 13/08
2006/0201595 A1 * 9/2006 Carmichael A45C 1/04
150/143
2011/0167536 A1 * 7/2011 Kellerhals A41D 20/00
2/170
2013/0098955 A1 * 4/2013 Lamey A45F 5/00
224/222

(Continued)

OTHER PUBLICATIONS

Sandpiper, S.O.C. Arm Band Wallet, as posted at Top of the Range [online], no posting date available [site visited Nov. 7, 2016]. Available from the Internet, <URL: <https://www.top-of-the-range.co.uk/s-o-c-arm-band-wallet.html>>.*

(Continued)

Primary Examiner — Jeffrey D Asch

Assistant Examiner — Rebekah A Caruso

(74) *Attorney, Agent, or Firm* — Keaty Law Firm LLC

(57) **CLAIM**

The ornamental design for an arm sleeve carrier, as shown and described.

DESCRIPTION

FIG. 1 is a perspective view of an arm sleeve carrier according to the design of the present invention.

FIG. 2 is an end view of the arm sleeve carrier shown in FIG. 1.

FIG. 3 is an end view opposite the view of FIG. 2.

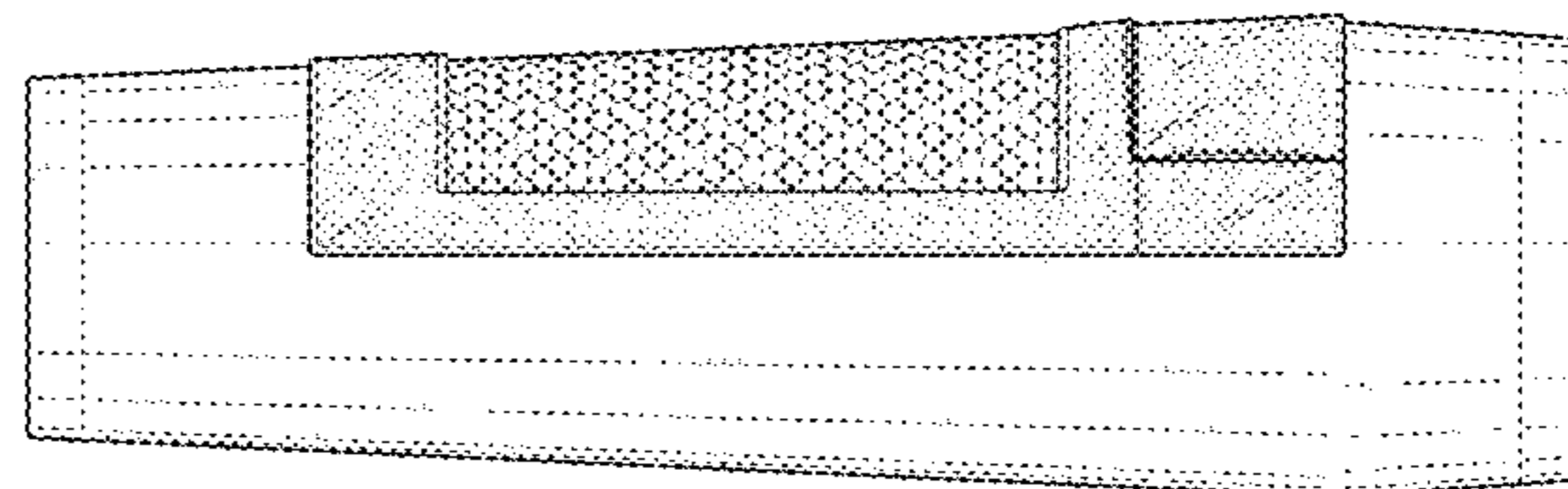
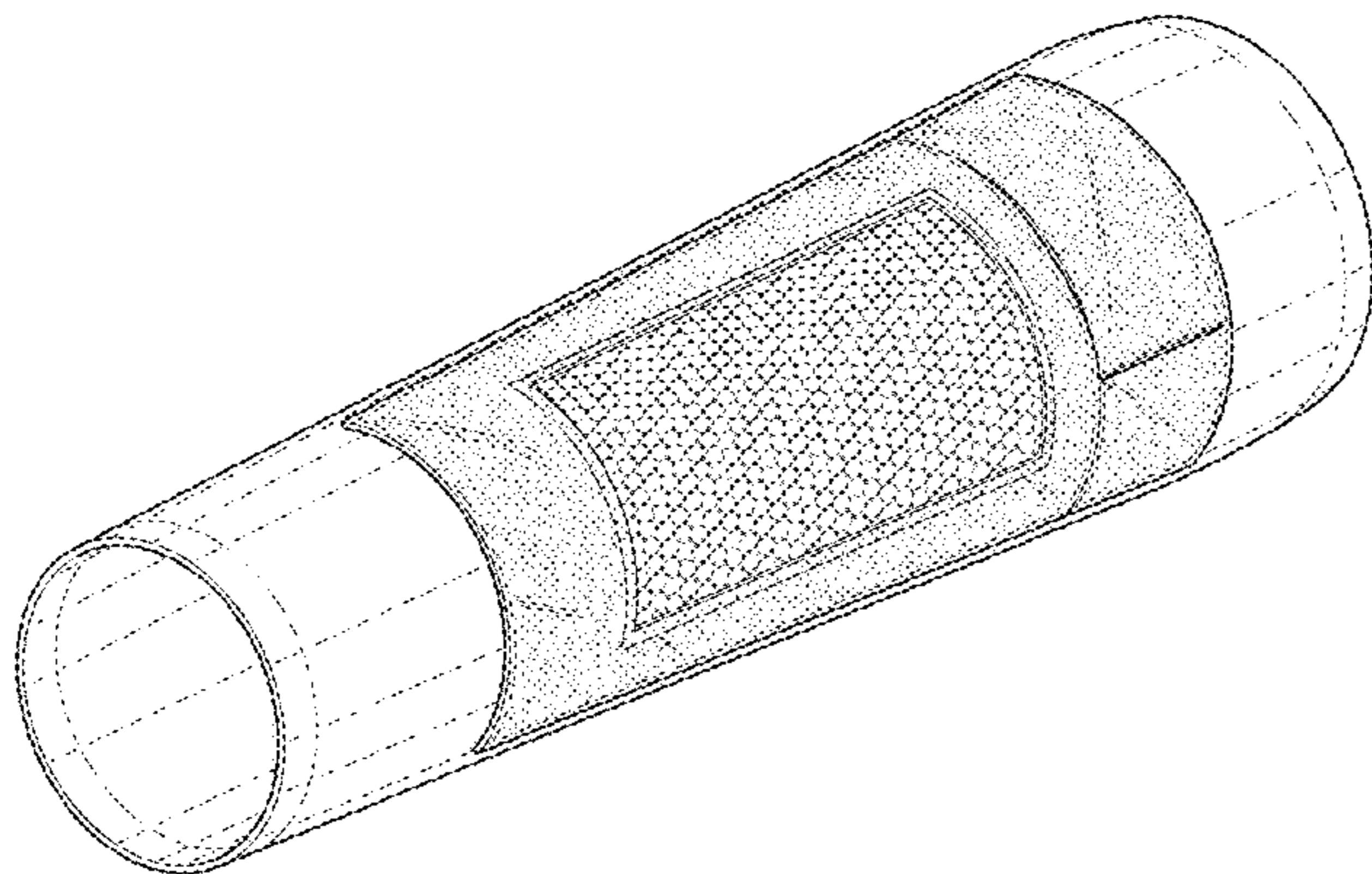
FIG. 4 is a top view of the arm sleeve carrier.

FIG. 5 is a bottom view of the arm sleeve carrier.

FIG. 6 is a side view of the arm sleeve carrier; and,

FIG. 7 is a side view of the arm sleeve carrier opposite the view of FIG. 6.

1 Claim, 4 Drawing Sheets



(56)

References Cited

U.S. PATENT DOCUMENTS

2014/0131402 A1* 5/2014 Holmes A45F 5/00
224/222
2015/0001290 A1* 1/2015 Tovar G06Q 20/34
235/380
2016/0206083 A1* 7/2016 Gomez A45F 5/00

OTHER PUBLICATIONS

Itz, "Water Proof Arm Wallets in Action," Water proof arm wallet pictured therein, as posted by @itzArmWallets on Twitter [online], posted on Aug. 26, 2011 [site visited Nov. 7, 2016]. Available from the Internet, <URL: <https://twitter.com/itzarmwallets>>.*

* cited by examiner

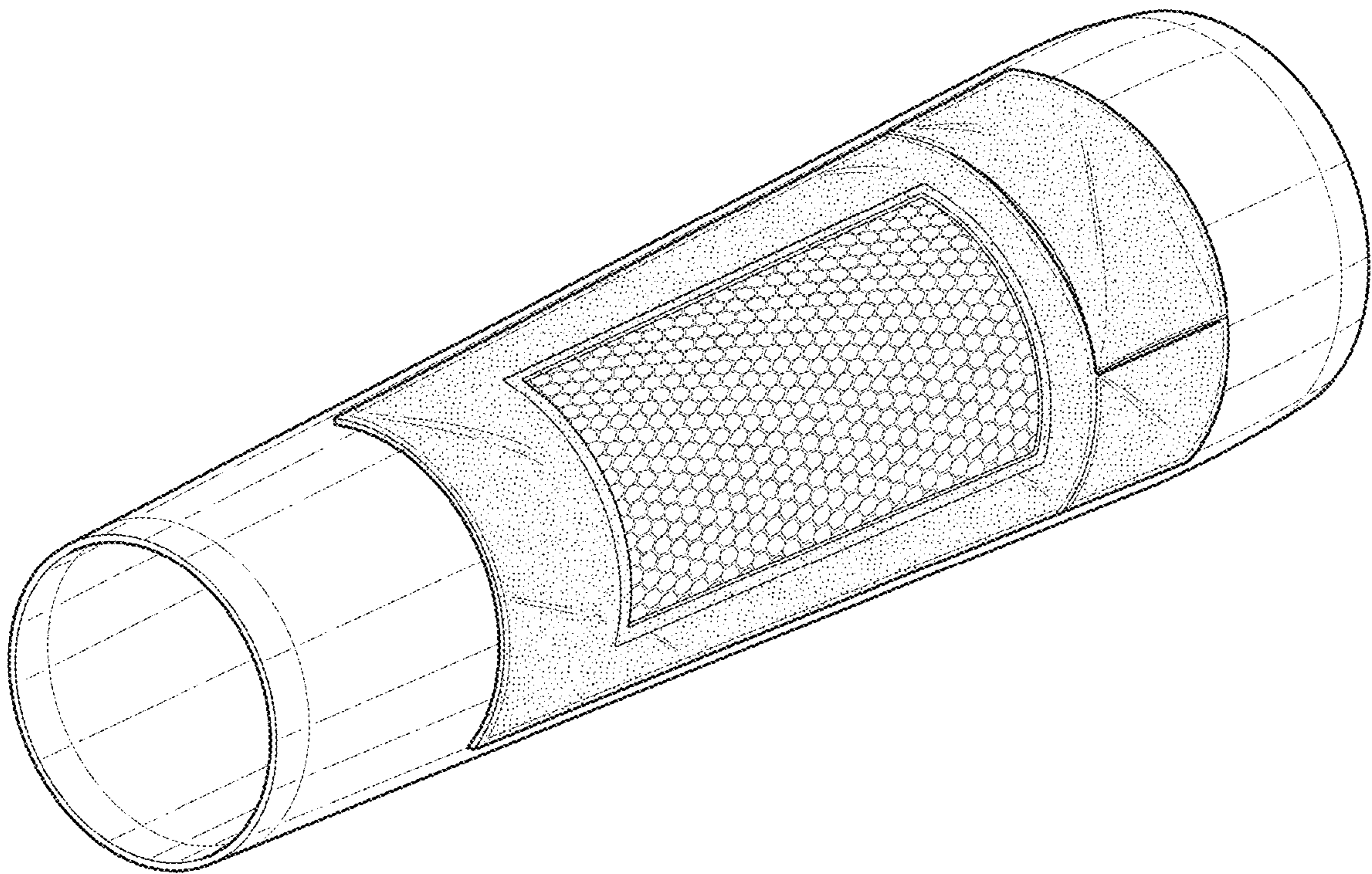


FIG. 1

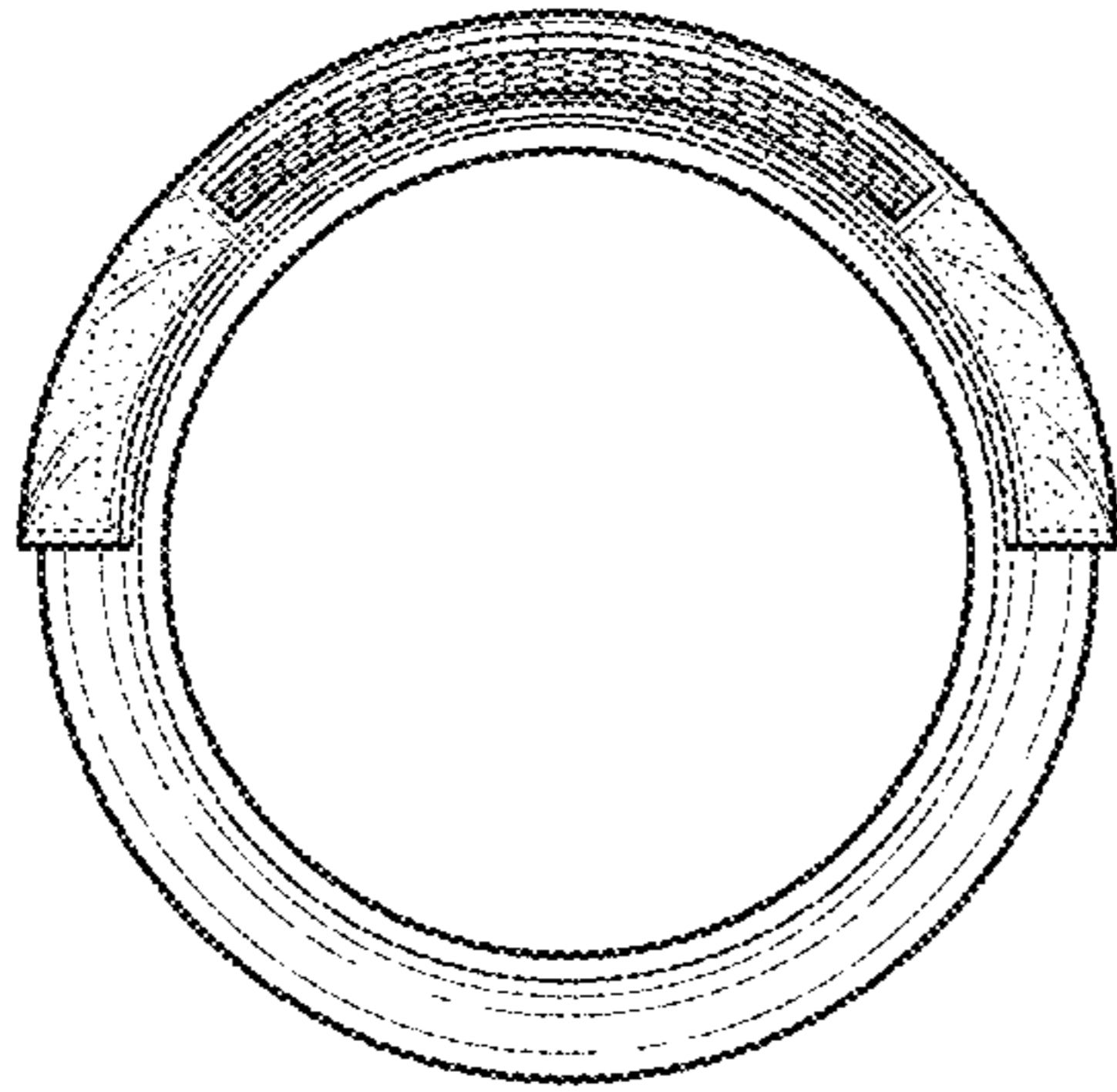


FIG. 2

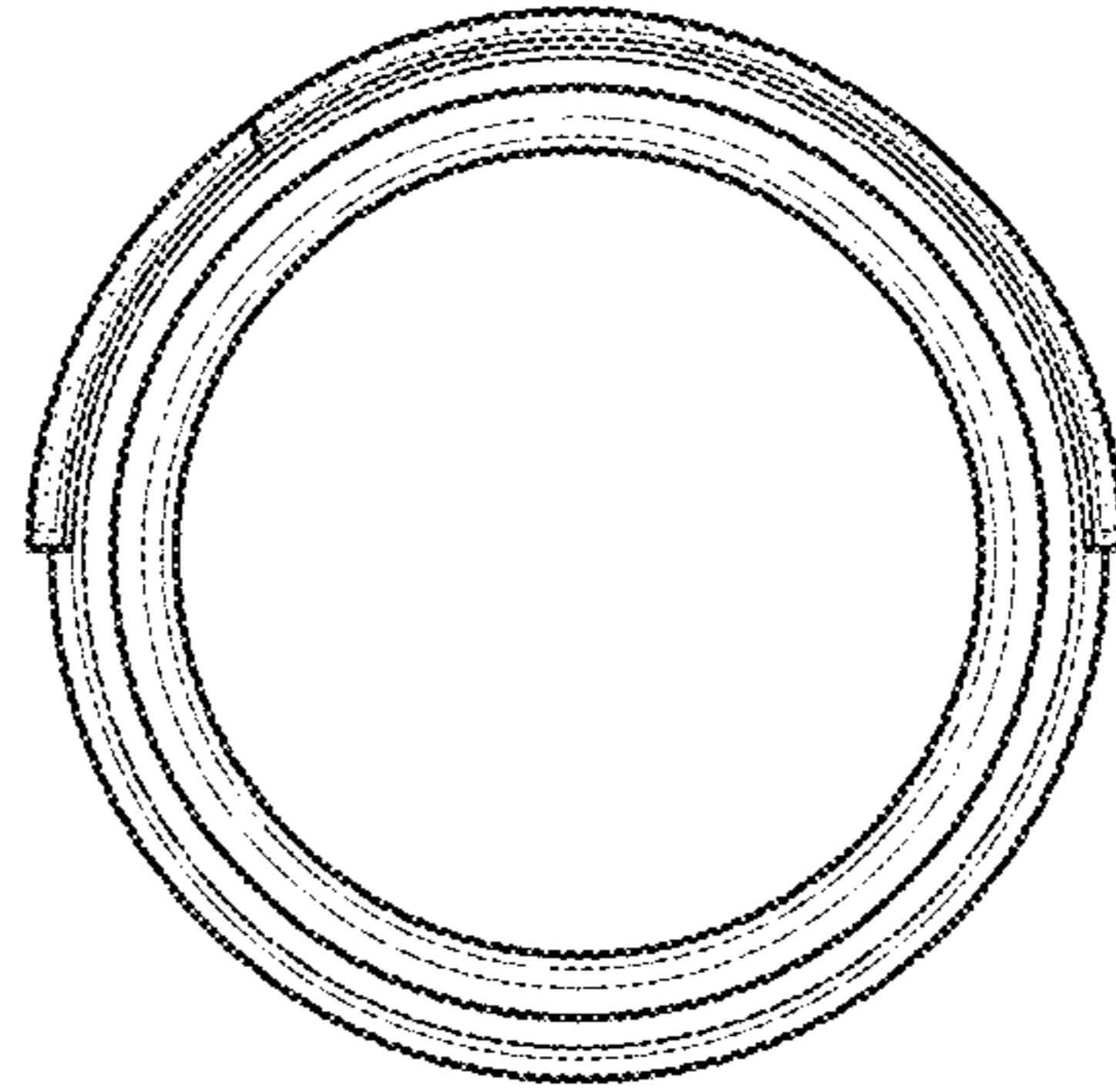


FIG. 3

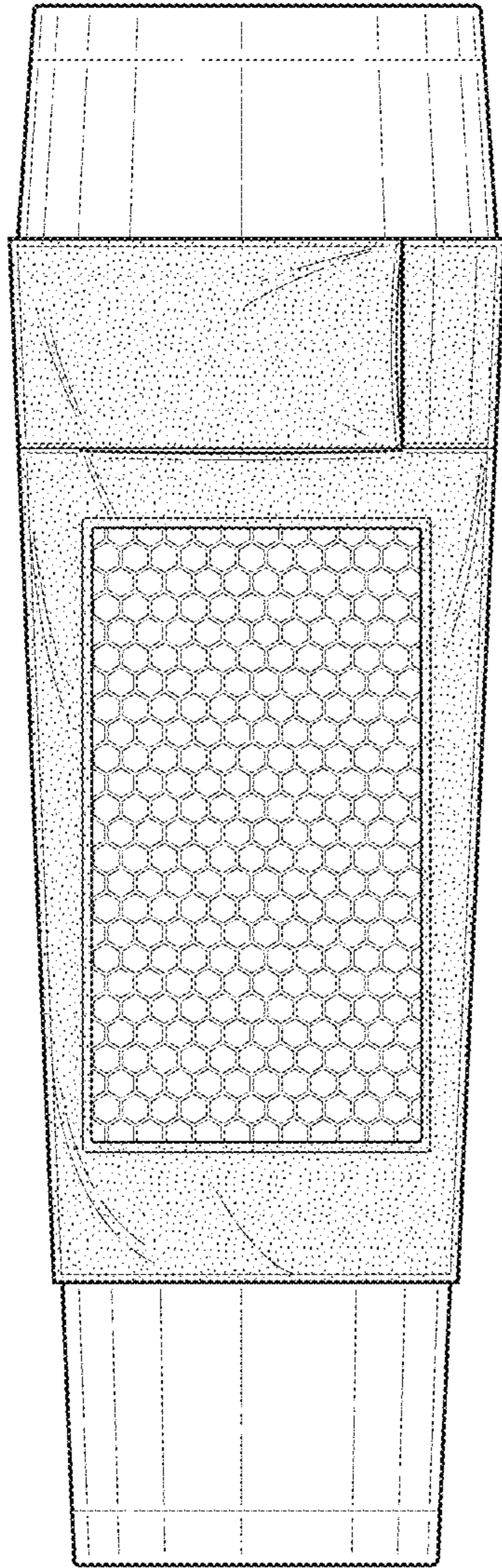


FIG. 4

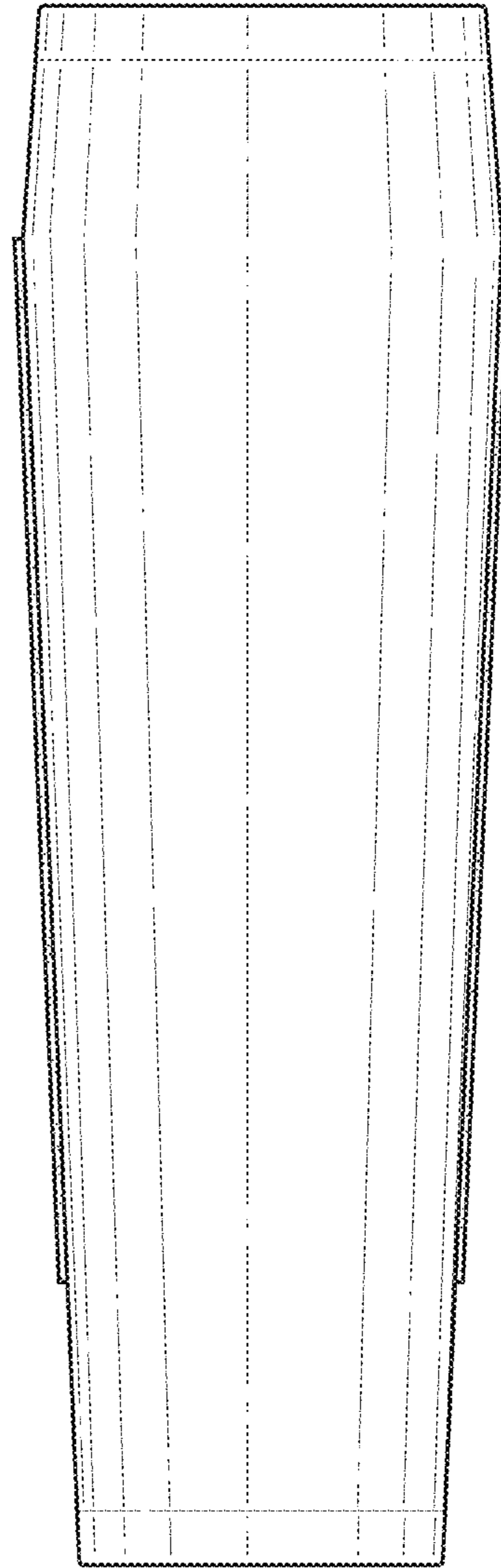


FIG. 5

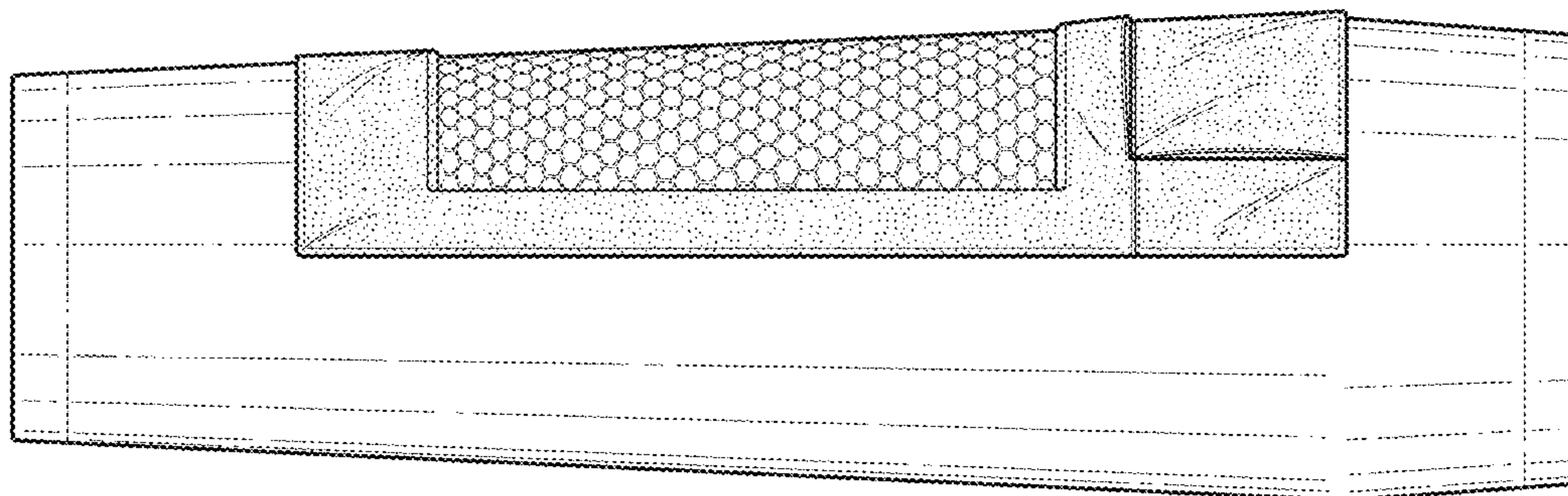


FIG. 6

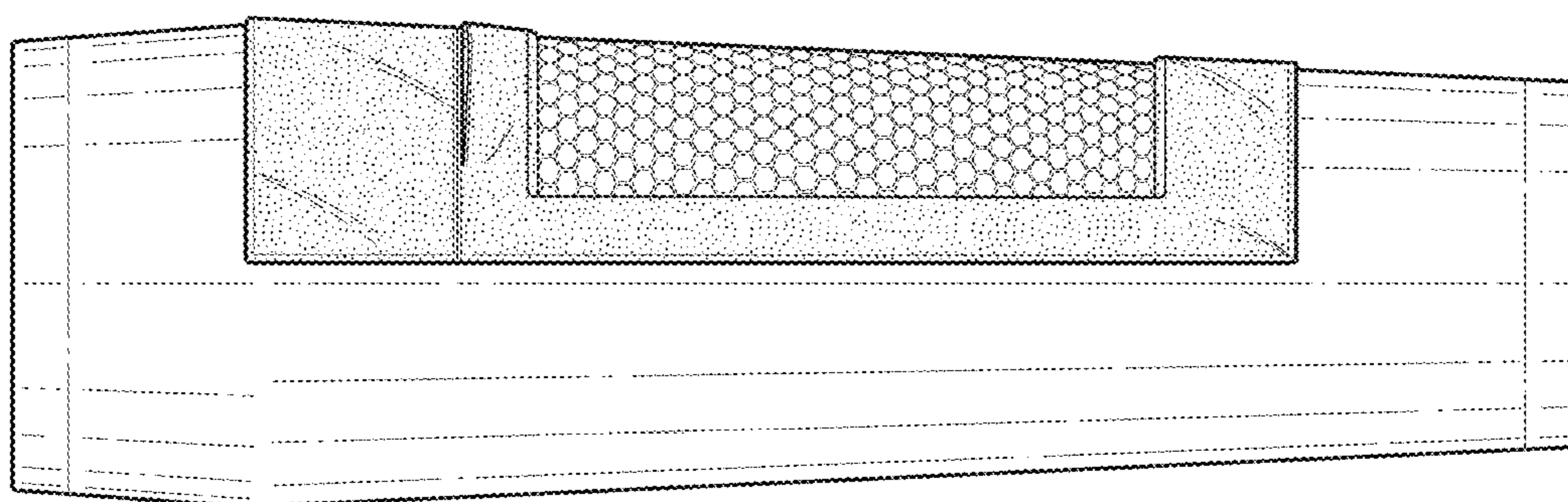


FIG. 7