



US00D785317S

(12) **United States Design Patent**  
**Grossman**

(10) **Patent No.:** **US D785,317 S**

(45) **Date of Patent:** **\*\* May 2, 2017**

(54) **CARABINER KEYRING**

(71) Applicant: **Peter Anthony Grossman**, Botany  
(AU)

(72) Inventor: **Peter Anthony Grossman**, Botany  
(AU)

(\*\*) Term: **15 Years**

(21) Appl. No.: **29/566,840**

(22) Filed: **Jun. 3, 2016**

(51) **LOC (10) Cl.** ..... **03-01**

(52) **U.S. Cl.**  
USPC ..... **D3/208; D8/356**

(58) **Field of Classification Search**  
USPC ..... D11/1-2, 14, 26-29, 89-92, 44, 48, 81,  
D11/99; 63/26-28, 32; D3/207-212;  
D8/16, 38, 347, 348, 18, 356; 70/456 B,  
70/457, 458, 456 R; 206/37.1, 37;  
D14/434, 435, 435.1, 436, 439, 480.3,  
D14/480.1, 480.5, 480.7; D24/174, 173,  
D24/480.3  
CPC ..... A45C 11/32; A47G 29/10; A44B 15/00  
See application file for complete search history.

(56) **References Cited**

**U.S. PATENT DOCUMENTS**

D281,483 S \* 11/1985 Faidide ..... D8/367  
D282,904 S \* 3/1986 Faidide ..... D8/367

D485,431 S \* 1/2004 Hsu ..... D3/210  
D521,362 S \* 5/2006 Kelleghan ..... D8/356  
D595,119 S \* 6/2009 Kelleghan ..... D8/356  
D608,184 S \* 1/2010 Kelleghan ..... D8/356  
D655,999 S \* 3/2012 Kelleghan ..... D8/356  
D735,559 S \* 8/2015 Liang ..... D8/356  
D765,493 S \* 9/2016 Spater ..... D8/356  
D772,029 S \* 11/2016 Spater ..... D8/18

\* cited by examiner

*Primary Examiner* — Ralf Seifert

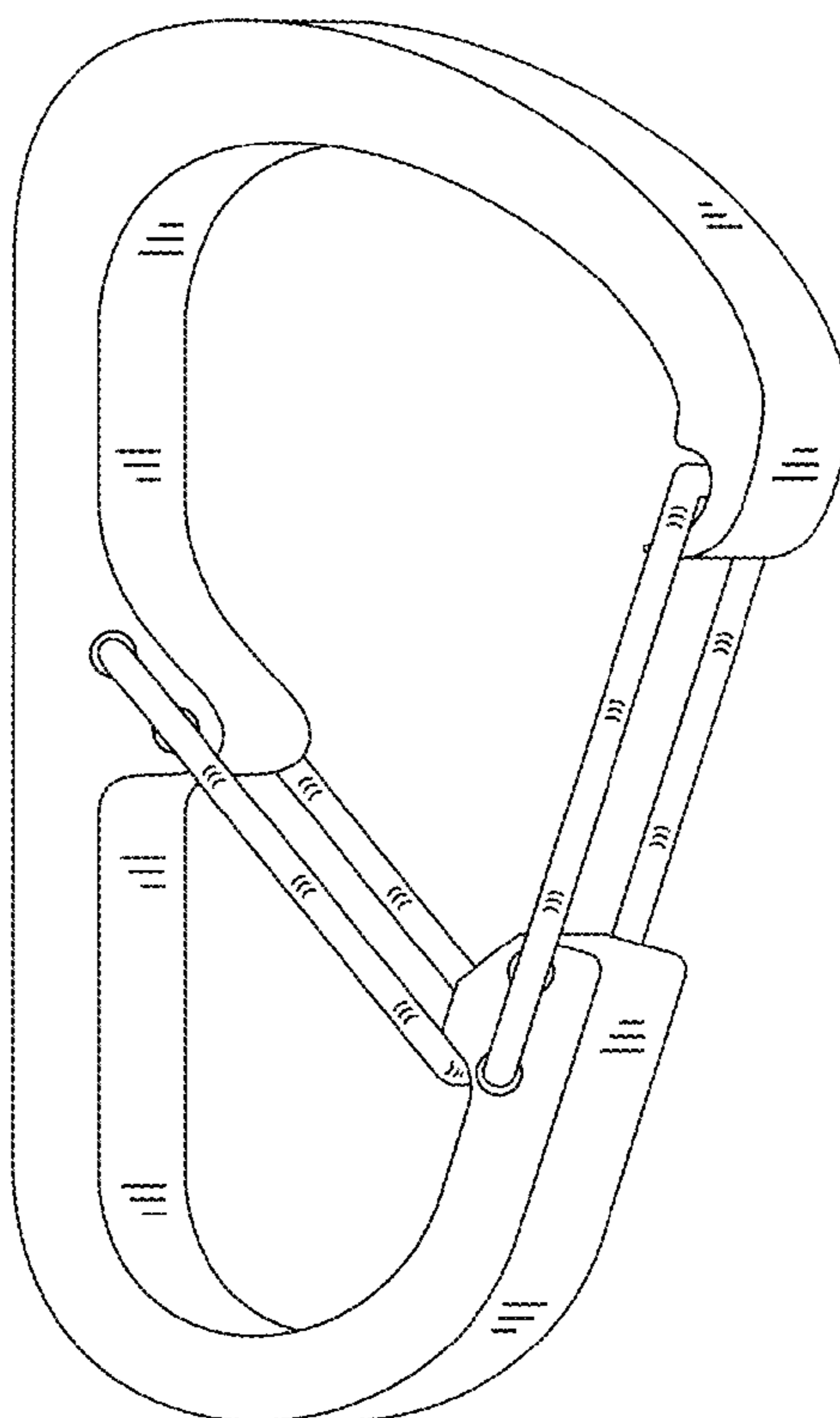
(57) **CLAIM**

I claim the ornamental design for a carabiner keyring, as shown.

**DESCRIPTION**

FIG. 1 is a front view of the carabiner keyring showing my new design;  
FIG. 2 is a reverse view thereof; and,  
FIG. 3 is a perspective view thereof.  
The claimed carabiner keyring is used to securely retain keys and other attached objects while additionally having the actions of a carabiner.

**1 Claim, 3 Drawing Sheets**



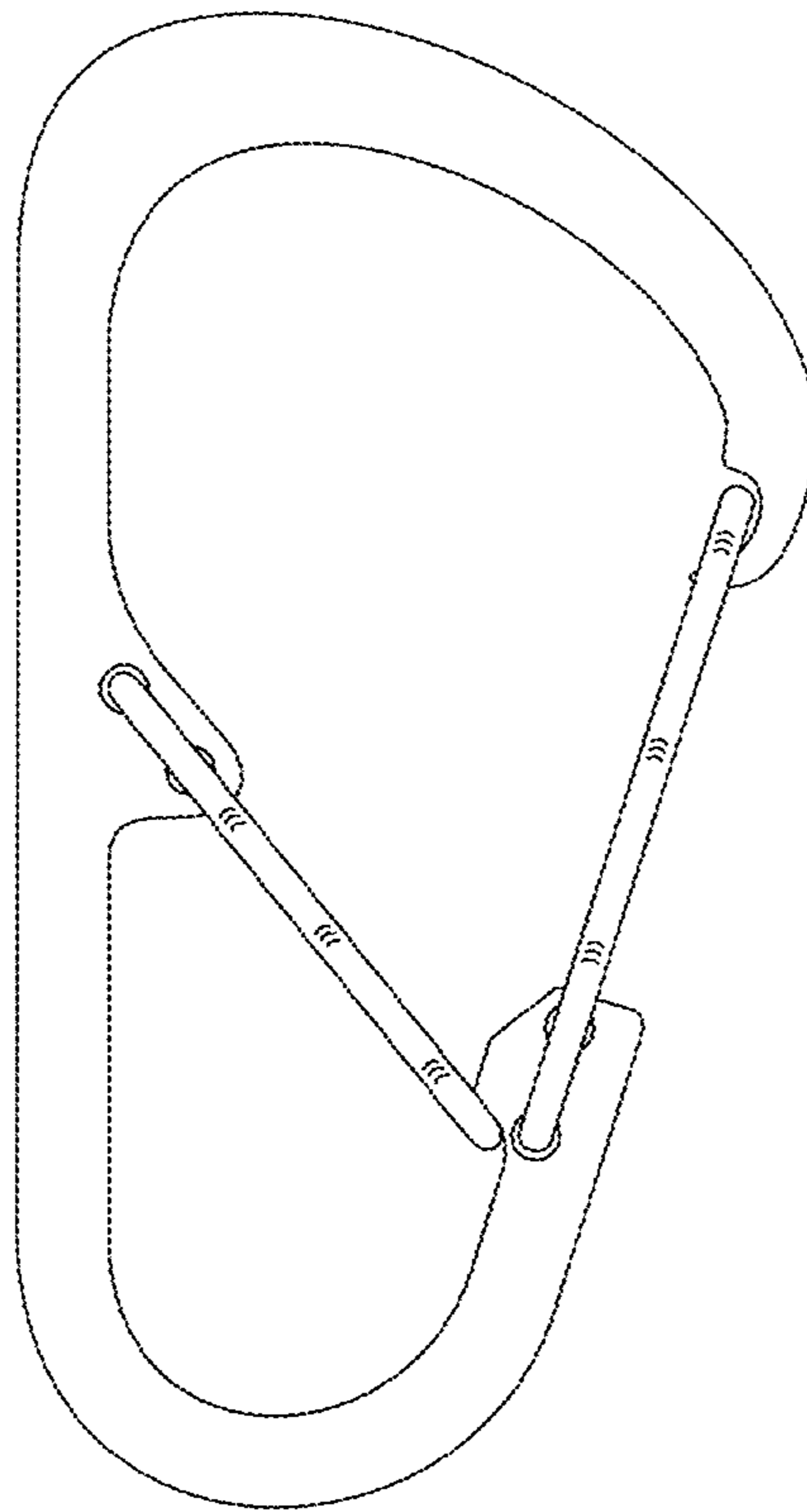


FIG. 1

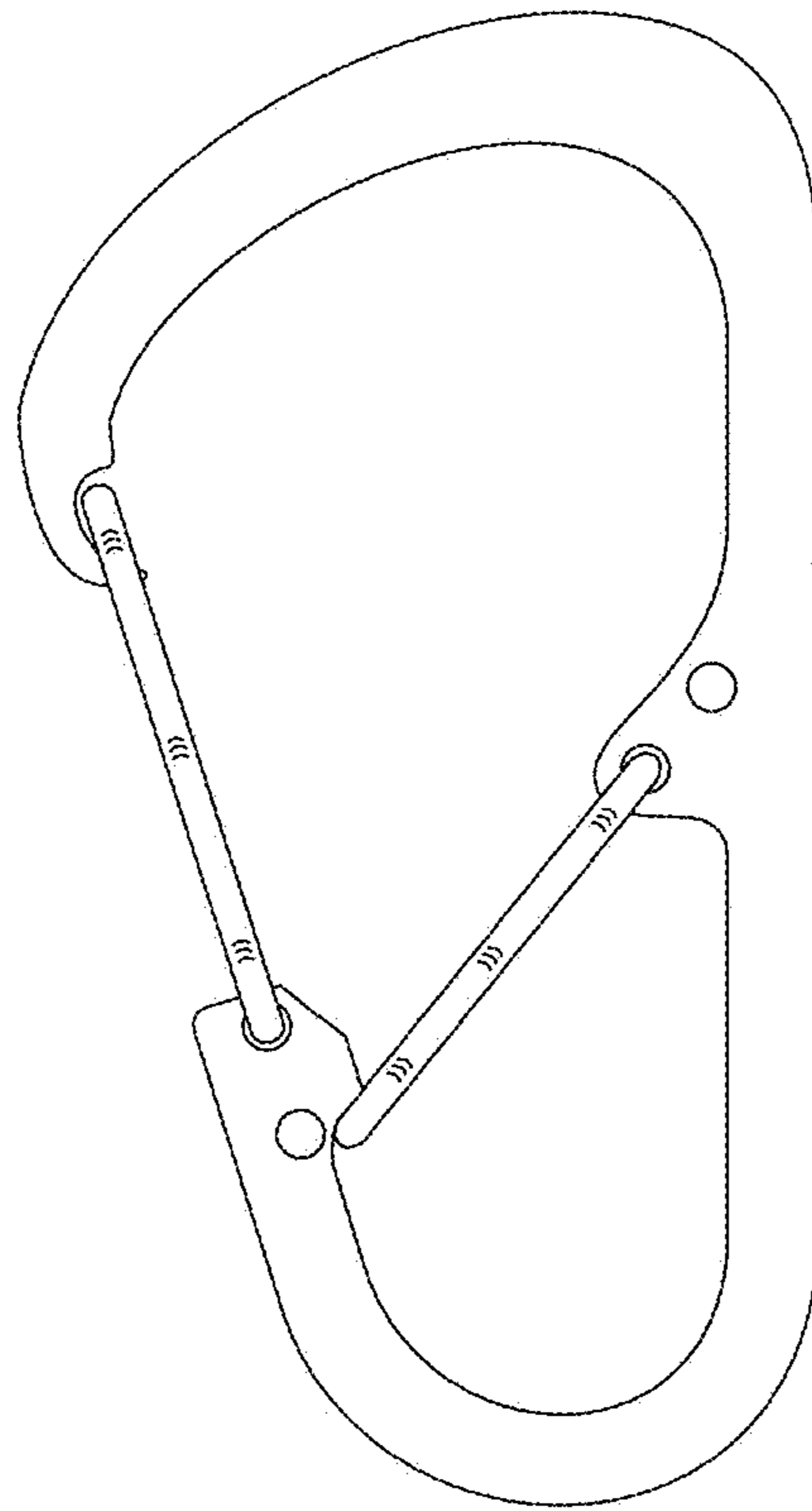


FIG. 2

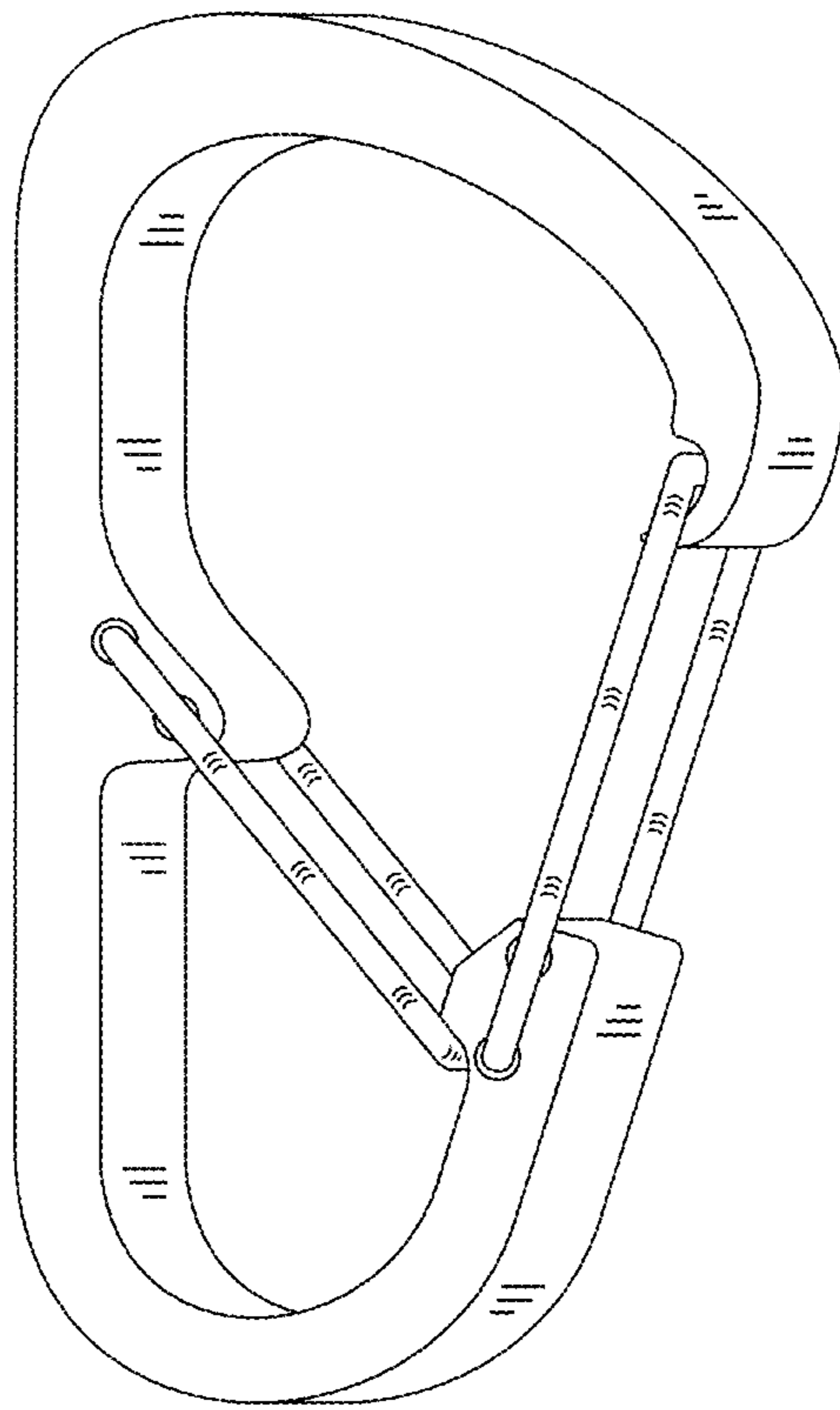


FIG. 3