



US00D785316S

(12) **United States Design Patent**
Grossman

(10) **Patent No.:** **US D785,316 S**

(45) **Date of Patent:** **** May 2, 2017**

(54) **CARABINER KEYRING**

(71) Applicant: **Peter Anthony Grossman**, Sydney
(AU)

(72) Inventor: **Peter Anthony Grossman**, Sydney
(AU)

(**) Term: **15 Years**

(21) Appl. No.: **29/566,839**

(22) Filed: **Jun. 3, 2016**

(51) **LOC (10) Cl.** **03-01**

(52) **U.S. Cl.**
USPC **D3/208; D8/356**

(58) **Field of Classification Search**
USPC D11/1-2, 14, 26-29, 89-92, 44, 48, 81,
D11/99; 63/26-28, 32; D3/207-212;
D8/16, 38, 347, 348, 18, 356; 70/456 B,
70/457, 458, 456 R; 206/37.1, 37;
D14/434, 435, 435.1, 436, 439, 480.3,
D14/480.1, 480.5, 480.7; D24/174, 173,
D24/480.3

CPC A45C 11/32; A47G 29/10; A44B 15/00
See application file for complete search history.

(56) **References Cited**

U.S. PATENT DOCUMENTS

D281,483 S * 11/1985 Faidide D8/367
D282,904 S * 3/1986 Faidide D8/367

D485,431 S * 1/2004 Hsu D3/210
D521,362 S * 5/2006 Kelleghan D8/356
D595,119 S * 6/2009 Kelleghan D8/356
D608,184 S * 1/2010 Kelleghan D8/356
D655,999 S * 3/2012 Kelleghan D8/356
D735,559 S * 8/2015 Liang D8/356
D765,493 S * 9/2016 Spater D8/356
D772,029 S * 11/2016 Spater D8/18

* cited by examiner

Primary Examiner — Ralf Seifert

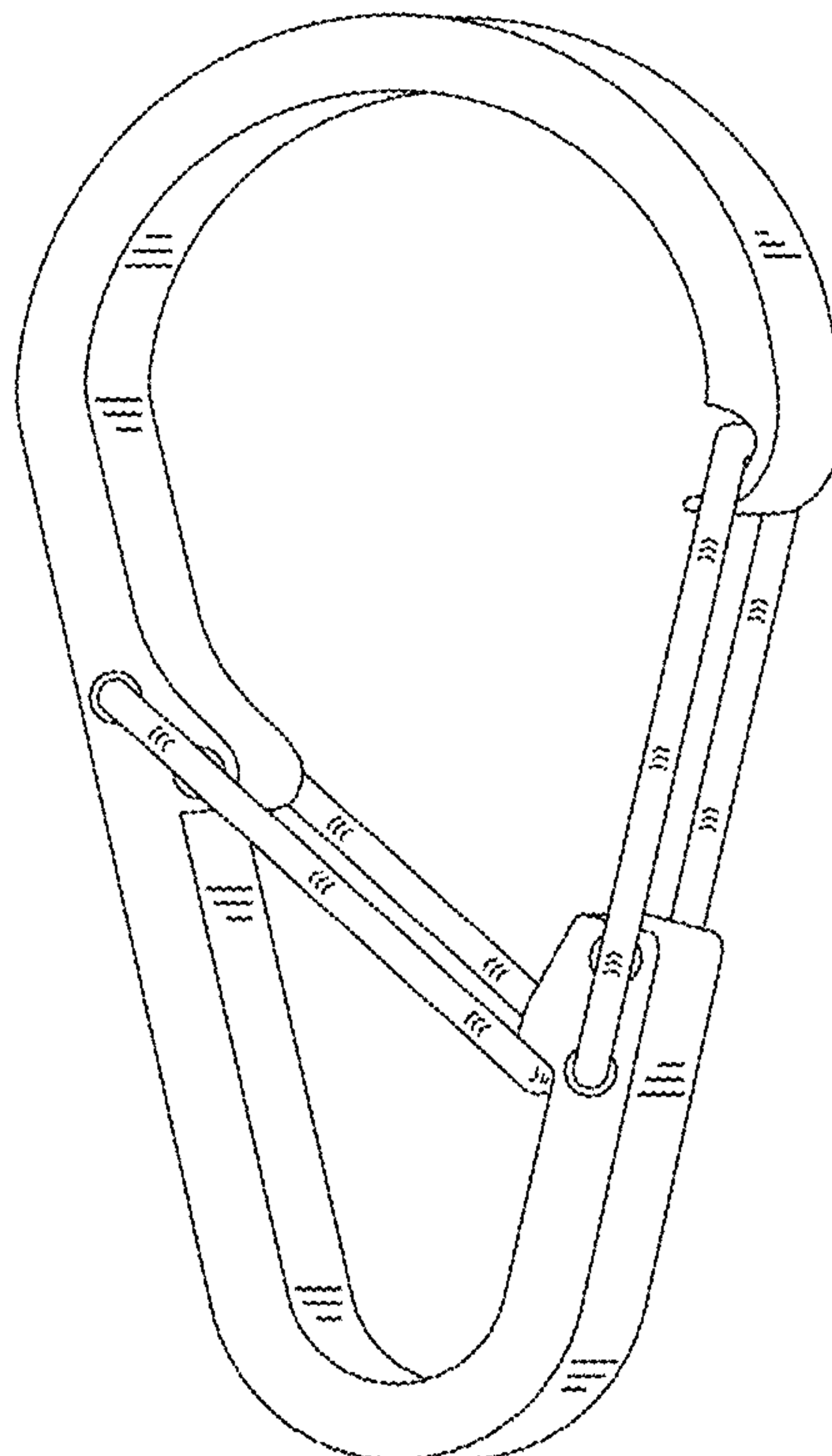
(57) **CLAIM**

I claim the ornamental design for a carabiner keyring, as shown.

DESCRIPTION

FIG. 1 is a front view of the carabiner keyring showing my new design;
FIG. 2 is a reverse view thereof; and,
FIG. 3 is a perspective view thereof.
The claimed carabiner keyring is used to securely retain keys and other attached objects while additionally having the actions of a carabiner.

1 Claim, 3 Drawing Sheets



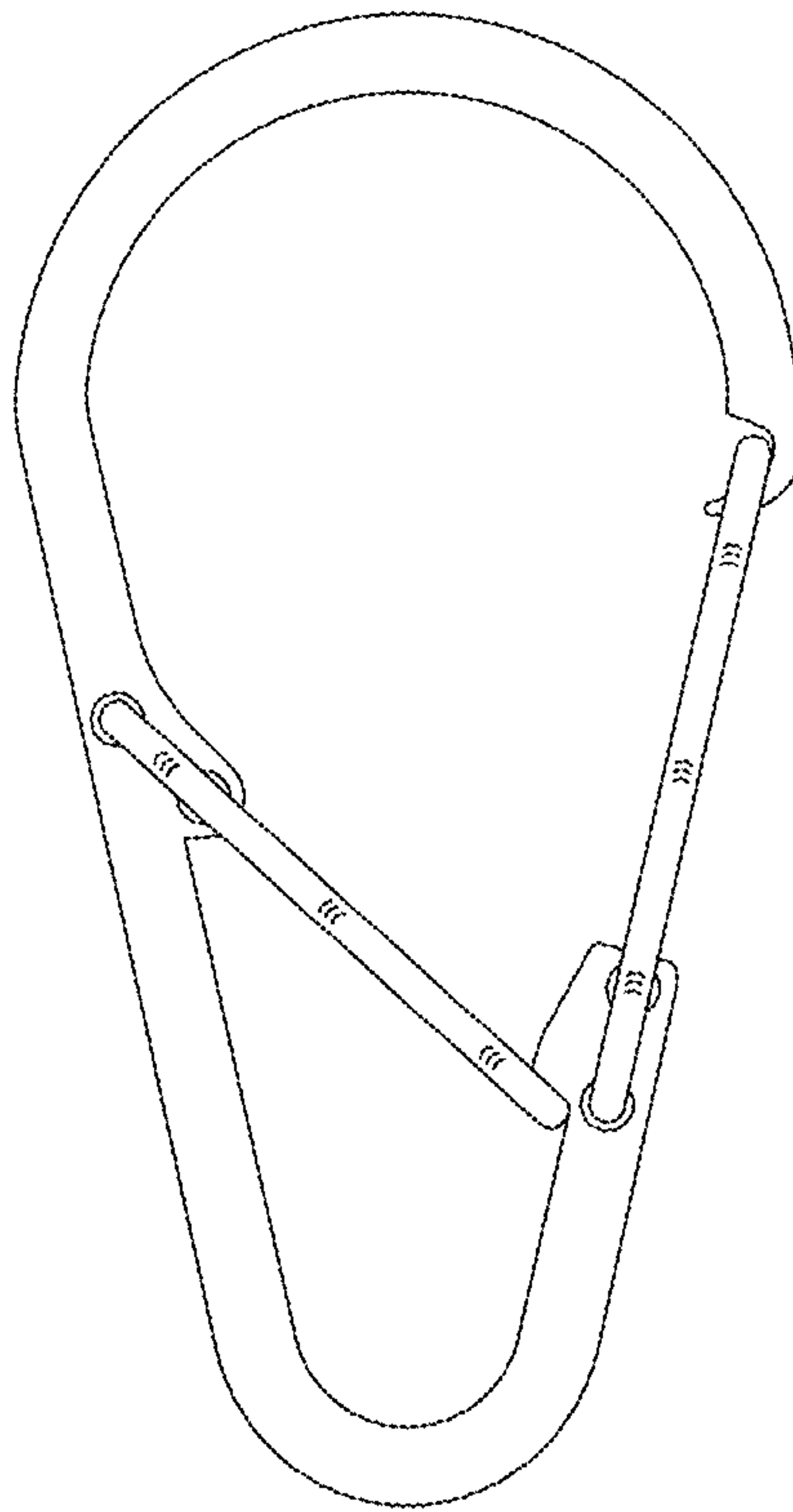


FIG.1

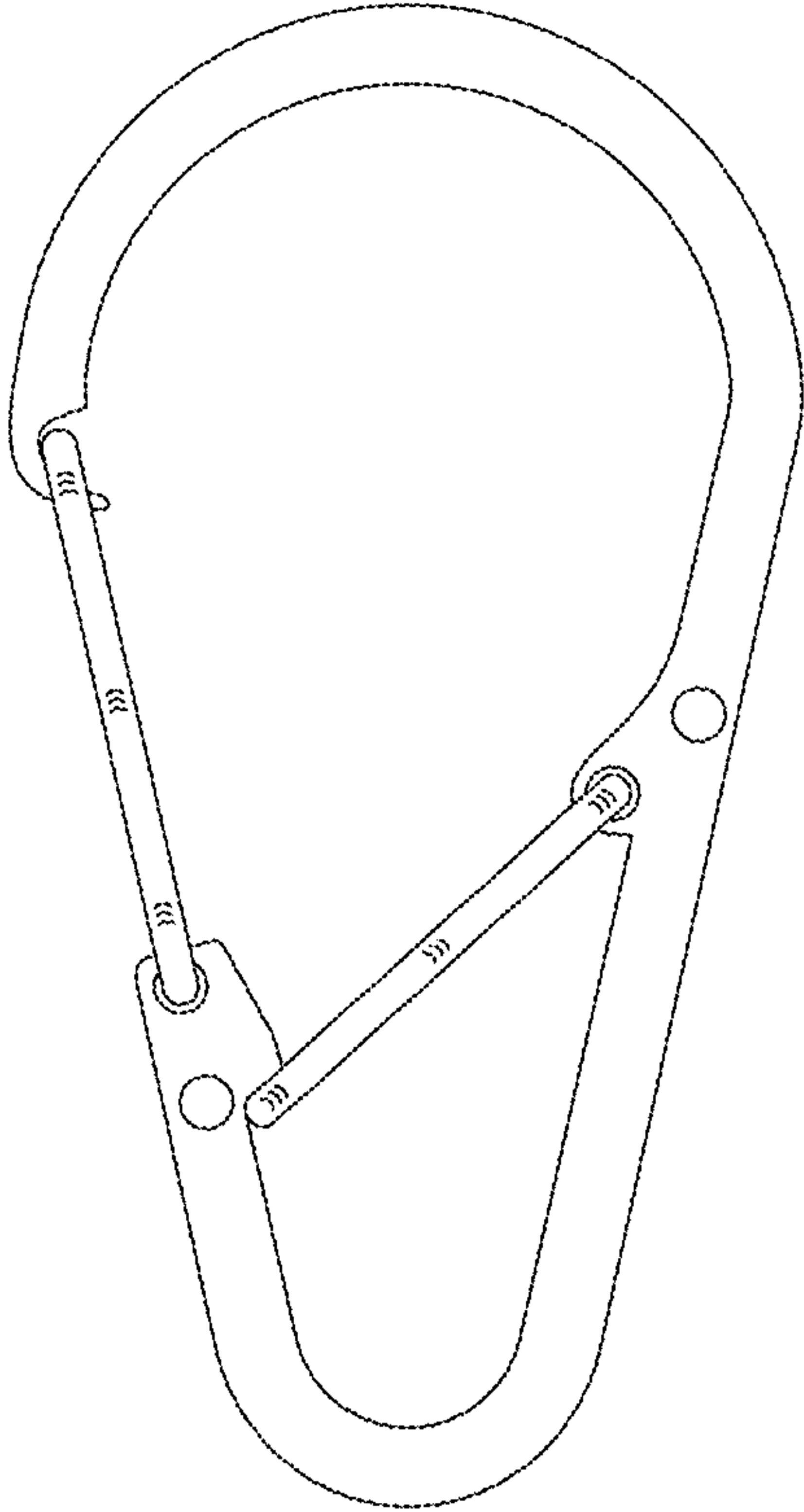


FIG. 2

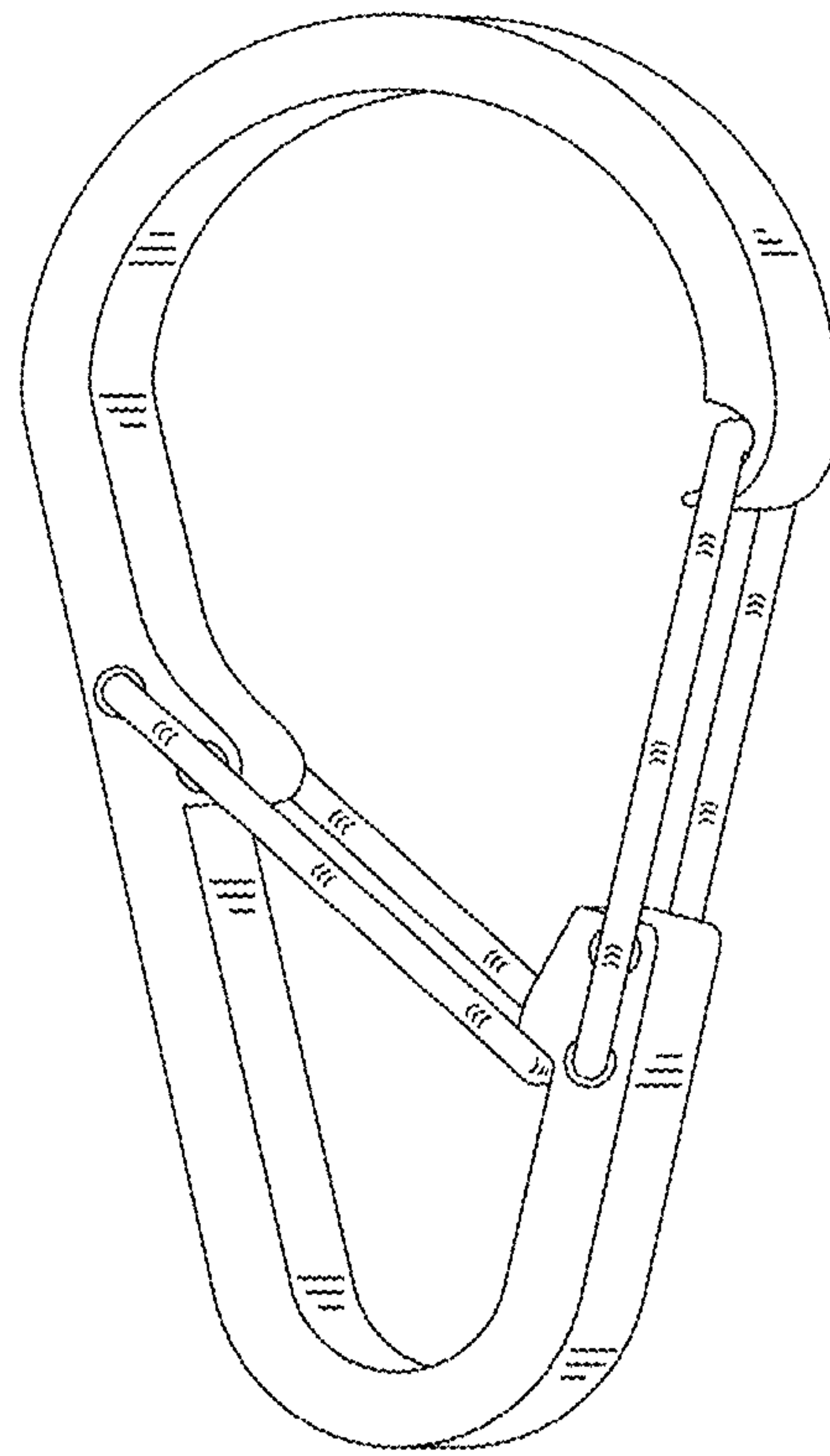


FIG. 3