



US00D785314S

(12) **United States Design Patent** (10) **Patent No.:** **US D785,314 S**
Noble (45) **Date of Patent:** **** May 2, 2017**

(54) **CAROUSEL PILL CONTAINER**
(71) Applicant: **Apothecary Products, LLC,**
Burnsville, MN (US)
(72) Inventor: **Jacqueline K. Noble,** Minneapolis, MN
(US)
(73) Assignee: **Apothecary Products, LLC,**
Burnsville, MN (US)
(**) Term: **15 Years**
(21) Appl. No.: **29/540,898**

6,325,241 B1 12/2001 Garde et al.
6,651,840 B1 * 11/2003 Van Dullemen A61J 7/04
221/197
7,128,213 B2 10/2006 Tung et al.
D531,400 S * 11/2006 Hornsby D3/203.4
D540,038 S * 4/2007 Hussaini D3/201
D547,940 S * 8/2007 Sandy D3/203.2
D570,595 S * 6/2008 Chue D3/203.3
D621,603 S * 8/2010 Traylor D3/203.2
D645,657 S * 9/2011 Portney D3/203.2
8,567,640 B1 10/2013 Johnson-Lofton
D717,038 S 11/2014 Lee
D746,046 S * 12/2015 Lee D3/203.3
9,209,442 B1 * 12/2015 Schiffmiller B65D 85/70
2003/0062368 A1 * 4/2003 Barnes B65D 43/162
220/254.5

(Continued)

(22) Filed: **Sep. 29, 2015**
(51) **LOC (10) Cl.** **03-01**
(52) **U.S. Cl.**
USPC **D3/203.2**
(58) **Field of Classification Search**
USPC D3/201, 203.1, 203.2, 203.3, 203.4,
D3/203.6, 203.8; D6/515; D9/730, 731
CPC .. B65D 75/327; B65D 83/04; B65D 83/0418;
B65D 83/0445; B65D 2585/56; B65D
83/0454; B65D 83/0481; A61J 1/03; A61J
7/0076; A61J 7/02; A61J 7/0084
See application file for complete search history.

(56) **References Cited**
U.S. PATENT DOCUMENTS
2,975,887 A * 3/1961 Weingart B65D 83/0454
206/533
4,164,301 A * 8/1979 Thayer B65D 83/0454
206/534
D298,512 S * 11/1988 Gotlib D3/203.4
5,322,166 A 6/1994 Crowther
D363,661 S * 10/1995 Lambelet, Jr. D3/203.4
D382,198 S * 8/1997 Mulhauser D3/203.4
5,887,719 A 3/1999 Edwards
5,899,335 A * 5/1999 Boyer A61J 7/04
116/308

OTHER PUBLICATIONS

Exhibit A: "Walgreens Push Button Pill Case 1 ea," cited at
[http://www.drugstore.com/walgreens-push-button-pill-case/
qxp506444?catid=191623&... . . .](http://www.drugstore.com/walgreens-push-button-pill-case/qxp506444?catid=191623&...) retrieved on Aug. 12, 2015.

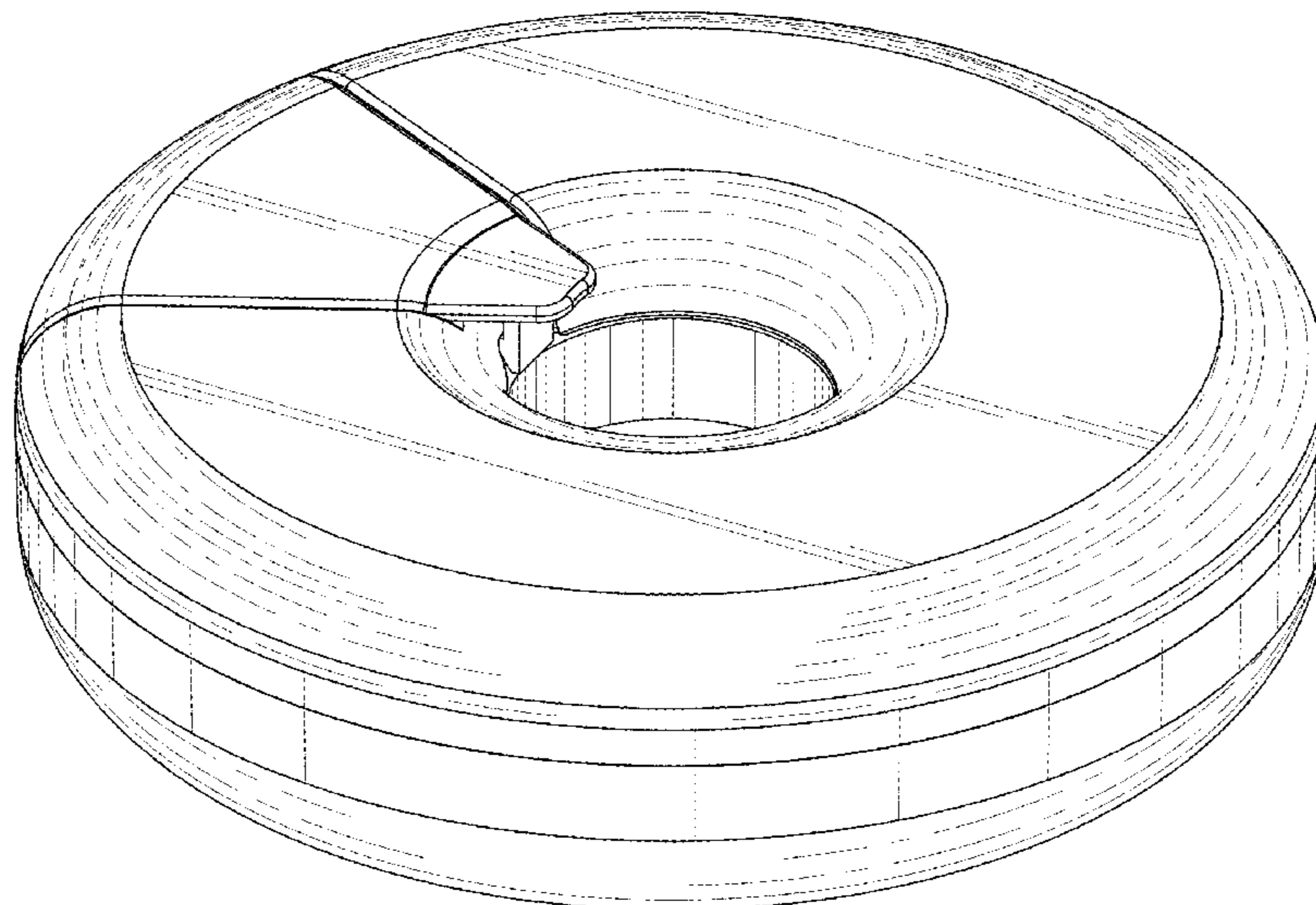
Primary Examiner — John Windmuller
Assistant Examiner — Steven Czyz
(74) *Attorney, Agent, or Firm* — Merchant & Gould P.C.

(57) **CLAIM**
The ornamental design for a carousel pill container, as
shown and described.

DESCRIPTION

FIG. 1 is a perspective view of a carousel pill container
according to the new design;
FIG. 2 is a front view thereof;
FIG. 3 is a rear view thereof;
FIG. 4 is a right side view thereof;
FIG. 5 is a left side view thereof;
FIG. 6 is a top plan view thereof; and,
FIG. 7 is a bottom plan view thereof.

1 Claim, 5 Drawing Sheets



(56)

References Cited

U.S. PATENT DOCUMENTS

2003/0205496 A1* 11/2003 Howard B65D 43/26
206/538
2004/0099561 A1* 5/2004 Christensen B65D 83/0454
206/461
2004/0188313 A1* 9/2004 Tedham B65D 83/0463
206/531
2005/0205595 A1* 9/2005 Lepke B65D 83/0454
221/87
2006/0151517 A1* 7/2006 Varis B65D 83/0454
221/48
2007/0138048 A1* 6/2007 Coe A61J 7/04
206/528
2009/0230014 A1* 9/2009 Keffeler A61J 1/03
206/532
2010/0140287 A1* 6/2010 Richardson B65D 83/04
221/186
2010/0147735 A1 6/2010 Musgray
2010/0147867 A1* 6/2010 Villegas Estrada B65D 50/04
221/87
2010/0219198 A1* 9/2010 Goldman A61J 7/04
221/25
2016/0329536 A1* 11/2016 Dorr B65D 73/0014

* cited by examiner

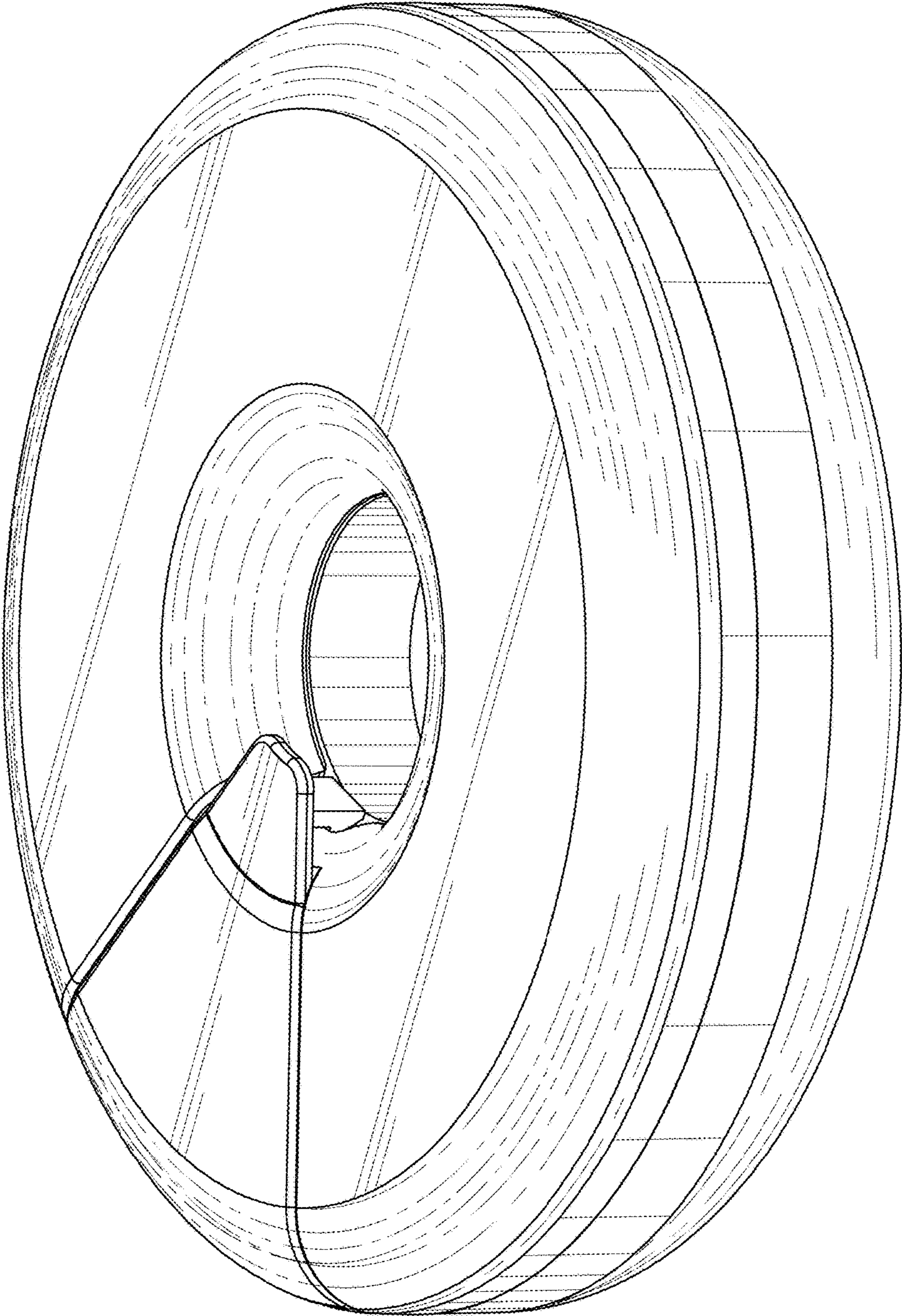


FIG. 1

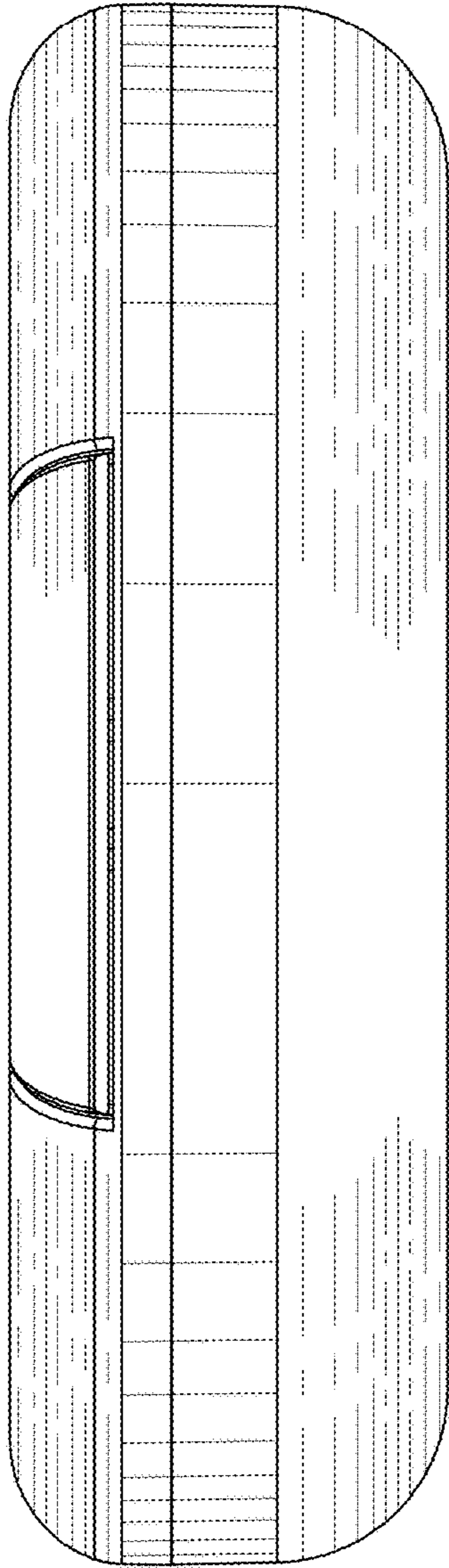


FIG. 2

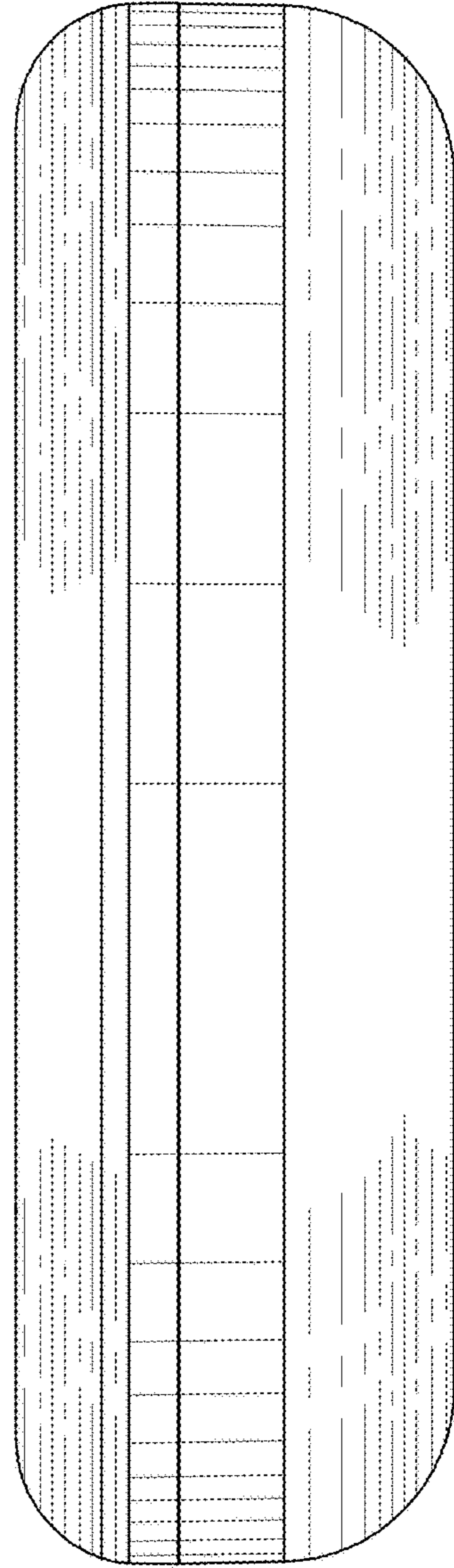


FIG. 3

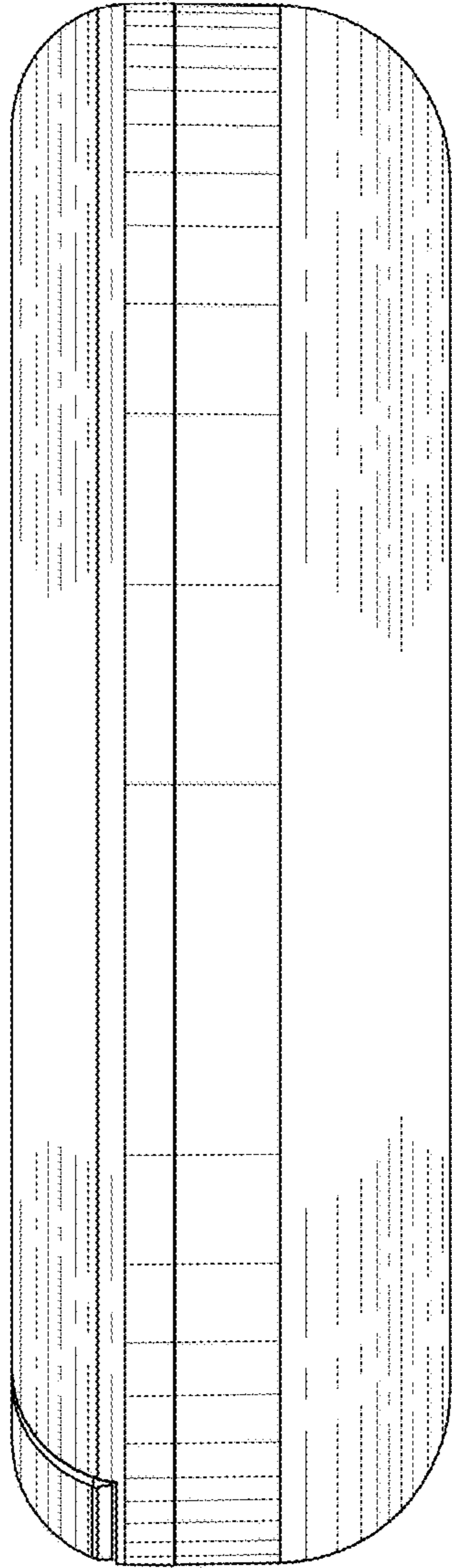


FIG. 4

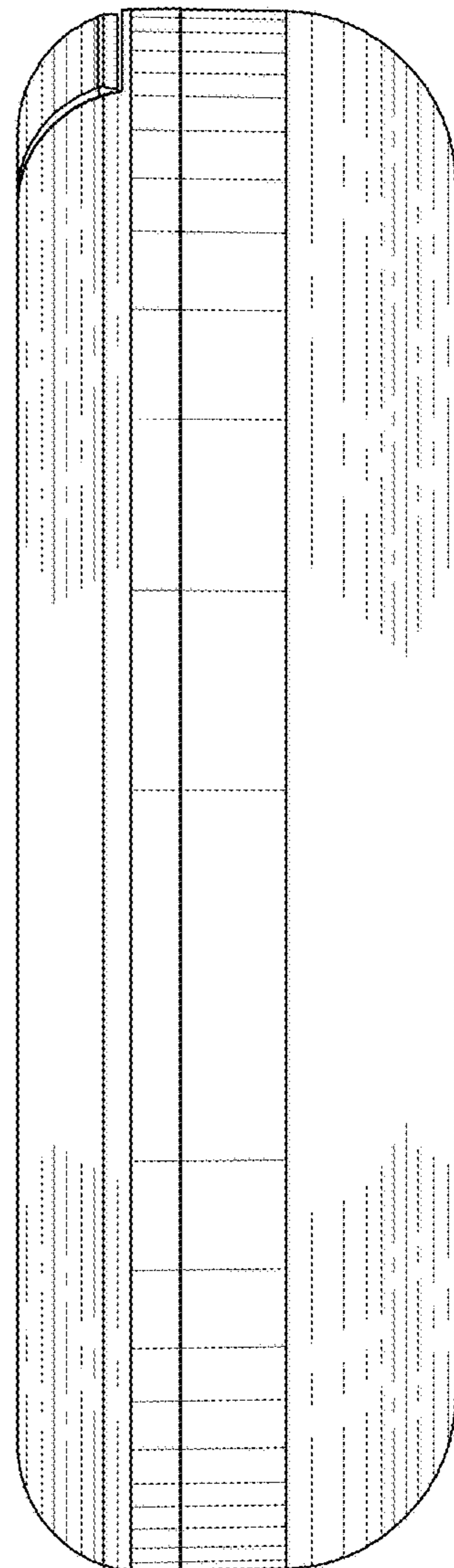


FIG. 5

FIG. 6

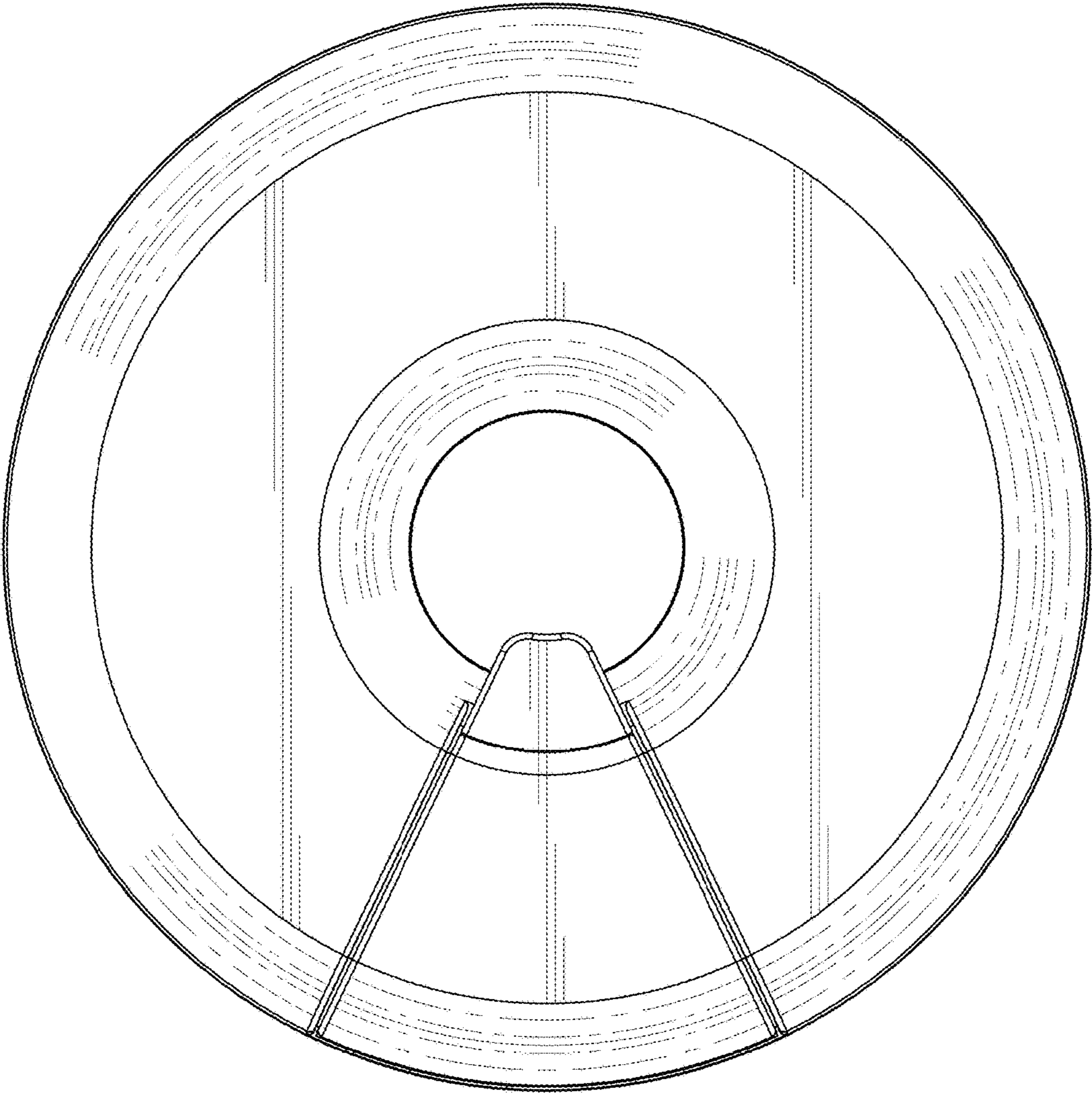


FIG. 7

