

US00D785304S

(12) **United States Design Patent** (10) **Patent No.:** **US D785,304 S**
Seo (45) **Date of Patent:** **** May 2, 2017**

(54) **SHOE OUTSOLE**
(71) Applicant: **JIONE FRS CORPORATION**, Seoul (KR)
(72) Inventor: **Woo Seung Seo**, Seoul (KR)
(73) Assignee: **JIONES FRS CORPORATION** (KR)
(**) Term: **15 Years**

(21) Appl. No.: **29/535,773**

(22) Filed: **Aug. 10, 2015**

(51) **LOC (10) Cl.** **02-04**

(52) **U.S. Cl.**
USPC **D2/955; D2/951; D2/953; D2/954; D2/960**

(58) **Field of Classification Search**
USPC D2/902, 906, 908, 916, 918, 925, D2/946-962, 977; 36/3 B, 22 R, 24.5, 36/25 R, 28, 32 R, 34 R, 59 C, 67 A, 103
CPC A43B 13/00; A43B 13/02; A43B 13/023; A43B 13/026; A43B 13/04; A43B 13/08; A43B 13/10; A43B 13/12; A43B 13/14; A43B 13/141; A43B 13/143; A43B 13/16; A43B 13/18; A43B 13/181; A43B 13/187; A43B 13/189; A43B 13/20; A43B 13/22; A43B 13/223; A43B 13/24; A43B 13/28; A43B 13/30; A43B 13/32; A43B 13/34; A43B 13/36
See application file for complete search history.

(56) **References Cited**

U.S. PATENT DOCUMENTS

1,120,082 A * 12/1914 Rhodes A43B 13/00 36/25 A
1,552,022 A * 9/1925 Willson A43B 13/26 36/59 C
1,623,092 A * 4/1927 Carr A43B 7/06 36/3 B

D88,881 S 1/1933 L'Hollier
2,155,166 A * 4/1939 Kraft A43B 13/223 36/32 R
D126,598 S 4/1941 Cox et al.
2,298,227 A 8/1942 Pinkerton et al.
2,307,401 A * 1/1943 Gregg A43B 13/00 36/25 A
2,361,938 A * 11/1944 Gregg A43B 13/00 12/146 B
2,365,027 A * 12/1944 Urbany A43B 13/184 36/29
2,393,577 A * 1/1946 Urbany A43B 13/04 36/29

(Continued)

OTHER PUBLICATIONS

Notice of Allowance for U.S. Appl. No. 29/528,275 dated Aug. 24, 2016.

(Continued)

Primary Examiner — T. Chase Nelson
(74) *Attorney, Agent, or Firm* — Kunzler Law Group, PC

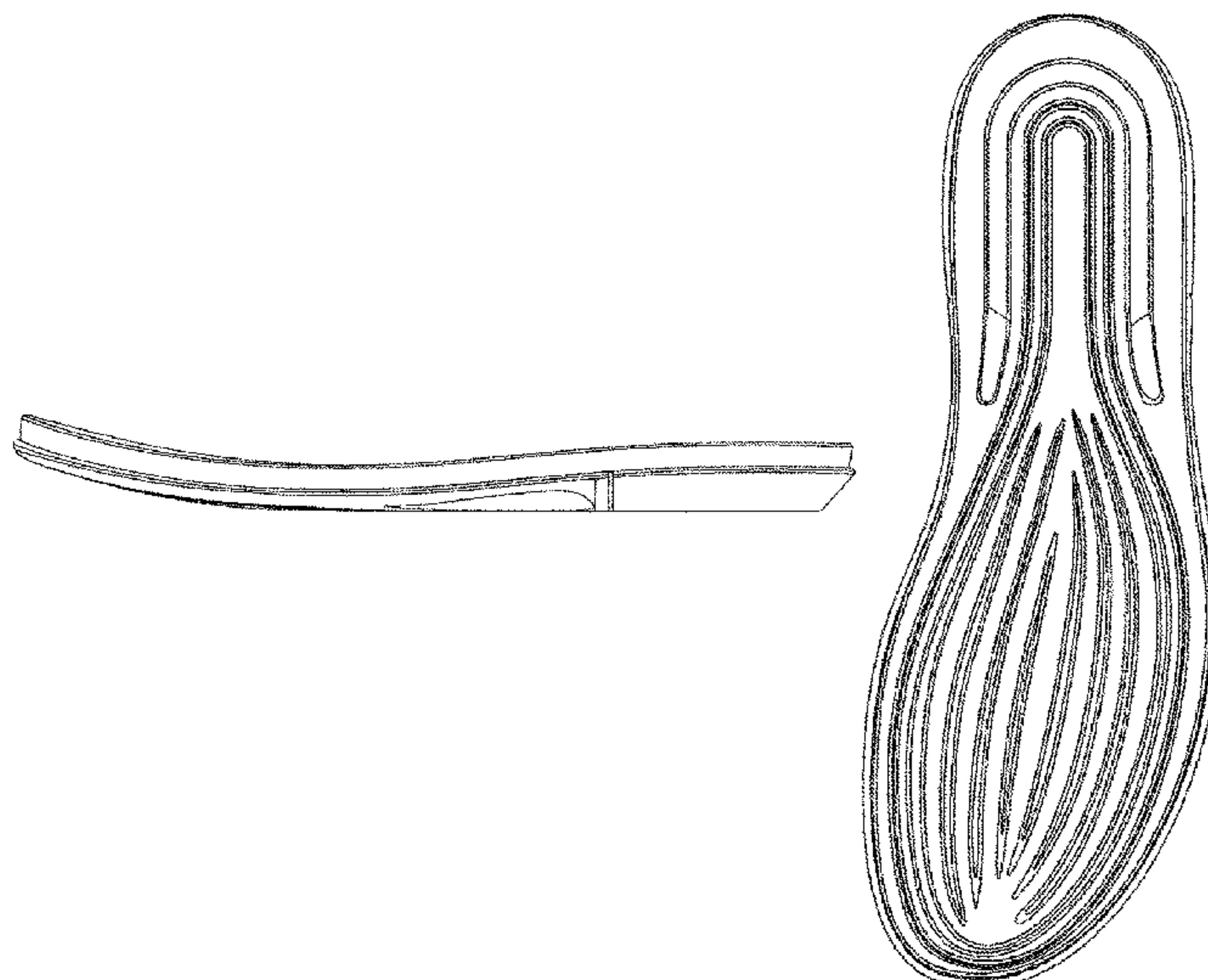
(57) **CLAIM**

The ornamental design for a shoe outsole, as shown and described.

DESCRIPTION

FIG. 1 is a perspective view of the shoe outsole;
FIG. 2 is a front view of the shoe outsole;
FIG. 3 is a rear view of the shoe outsole;
FIG. 4 is a left side view of the shoe outsole;
FIG. 5 is a right side view of the shoe outsole;
FIG. 6 is a top plan view of the shoe outsole;
FIG. 7 is a bottom plan view of the shoe outsole; and,
FIG. 8 is an enlarged cross-section view of the shoe outsole taken along line 8-8 in FIG. 7.
The broken lines seen in FIG. 7 are for the purpose of explaining the location of the cross-sectional view of FIG. 8, and form no part of the claimed design.

1 Claim, 8 Drawing Sheets



(56)

References Cited

U.S. PATENT DOCUMENTS

2,394,454 A 2/1946 Kappeler
 2,466,944 A * 4/1949 Gregg A43B 13/00
 12/21
 2,757,461 A 8/1956 Cartmell
 2,970,391 A 2/1961 Violano et al.
 3,114,981 A * 12/1963 Murawski A43B 1/10
 36/28
 D201,952 S * 8/1965 Johns 36/59 C
 D250,976 S 2/1979 Finn
 D259,595 S * 6/1981 Famolare, Jr. D2/955
 D281,641 S * 12/1985 Shiki D2/953
 4,570,362 A 2/1986 Vermonet
 4,571,858 A 2/1986 Faulin
 D285,985 S 10/1986 Tong
 D291,943 S 9/1987 Tong
 D298,883 S * 12/1988 Tanel D2/949
 D329,131 S 9/1992 Ostberg
 5,203,097 A * 4/1993 Blair A43B 13/223
 36/114
 D368,358 S 4/1996 Valle
 D368,796 S 4/1996 Fabio
 D378,471 S 3/1997 Winson
 D389,996 S 2/1998 Sessa
 D394,939 S 6/1998 Avar
 D394,941 S * 6/1998 Link D2/955
 D400,344 S * 11/1998 Avar D2/954
 6,266,897 B1 7/2001 Seydel et al.
 D461,295 S 8/2002 Pollastarelli
 D475,510 S 6/2003 Reynolds
 D498,903 S 11/2004 Issler
 D528,776 S 9/2006 Hui
 D540,516 S 4/2007 Weitzman
 D547,033 S 7/2007 Canavan
 D569,587 S 5/2008 James
 D577,882 S 10/2008 Little
 D581,640 S 12/2008 Earle
 D604,482 S 11/2009 Fletcher
 D605,385 S 12/2009 Andersen
 D608,080 S 1/2010 Della Valle et al.
 D612,137 S 3/2010 Duan
 D613,041 S 4/2010 Thompson
 D619,343 S * 7/2010 Vestuti D2/951
 D633,700 S 3/2011 Del Biondi et al.
 D636,155 S 4/2011 Della Valle et al.
 D640,046 S 6/2011 Claassen
 D641,145 S 7/2011 Della Valle et al.
 D659,357 S 5/2012 Van Zyll De Jong et al.
 D659,958 S 5/2012 Birkinhead
 D664,342 S 7/2012 McClaskie
 D664,753 S * 8/2012 Santos D2/955
 D682,519 S 5/2013 Litchfield et al.
 D682,520 S * 5/2013 Litchfield D2/951
 D685,567 S 7/2013 Dolce
 D687,623 S 8/2013 Norris
 D689,677 S * 9/2013 Bathum D2/951
 D690,917 S 10/2013 Spring
 D693,554 S 11/2013 Philipp
 D695,504 S 12/2013 Harper
 D697,293 S * 1/2014 Vestuti D2/947
 D697,704 S * 1/2014 Vestuti D2/951
 D699,423 S 2/2014 Della Valle et al.

D703,928 S 5/2014 Avar et al.
 D704,423 S * 5/2014 Williams, Jr. D2/951
 D707,931 S * 7/2014 VanHook D2/951
 D707,949 S 7/2014 VanHook
 D713,623 S 9/2014 Lo
 D714,039 S 9/2014 Miner
 D716,024 S 10/2014 Bramani
 D717,030 S 11/2014 Della Valle et al.
 D717,032 S 11/2014 Van Zyll De Jong et al.
 D719,331 S 12/2014 Christensen et al.
 D721,225 S * 1/2015 Bradford D2/951
 D723,773 S 3/2015 Raysse
 D724,828 S 3/2015 Lonigan
 D728,911 S 5/2015 Spring
 D734,010 S 7/2015 Fischer et al.
 D737,033 S 8/2015 Miner
 D740,531 S * 10/2015 Dolce D2/951
 D743,153 S 11/2015 Taylor
 D743,154 S 11/2015 Nethongkome
 D744,218 S 12/2015 Miner
 D745,257 S * 12/2015 Chang D2/951
 D746,560 S 1/2016 Verfl
 D751,799 S 3/2016 Nogueira
 D754,424 S 4/2016 Spring
 D762,958 S 8/2016 Sars
 D765,374 S 9/2016 Taestensen
 9,462,846 B2 * 10/2016 Litchfield A43B 13/12
 D775,459 S 1/2017 Seo
 2003/0024134 A1 2/2003 Howlett
 2007/0039210 A1 2/2007 Clark et al.
 2008/0010854 A1 1/2008 Sokolowski
 2010/0251567 A1 10/2010 McInnis et al.
 2010/0261582 A1 10/2010 Little
 2010/0281714 A1 11/2010 Carboy et al.
 2011/0072684 A1 * 3/2011 Stubblefield A43B 13/122
 36/29
 2012/0066938 A1 3/2012 French et al.
 2012/0096744 A1 * 4/2012 Goodsmith A43B 3/108
 36/103
 2012/0186107 A1 7/2012 Crary et al.
 2013/0047474 A1 2/2013 Healy
 2013/0118037 A1 5/2013 Bathum et al.
 2013/0212909 A1 * 8/2013 Bates A43B 13/189
 36/102
 2014/0026438 A1 1/2014 Cortez et al.
 2014/0150298 A1 6/2014 Crowley
 2014/0259788 A1 9/2014 Dojan et al.
 2014/0259789 A1 9/2014 Dojan et al.
 2015/0089841 A1 4/2015 Smaldone et al.
 2015/0150339 A1 6/2015 Van Hook
 2015/0257487 A1 9/2015 Ruiz et al.
 2016/0242500 A1 8/2016 Langvin et al.

OTHER PUBLICATIONS

Office Action for U.S. Appl. No. 29/535,771 dated Nov. 23, 2016.
 Office Action for U.S. Appl. No. 29/535,780 dated Jan. 31, 2017.
 Notice of Allowance for U.S. Appl. No. 29/535,771 dated Feb. 10, 2017.
 Office Action for U.S. Appl. No. 29/535,774 dated Dec. 15, 2016.
 Office Action for U.S. Appl. No. 29/535,777 dated Jan. 19, 2017.

* cited by examiner

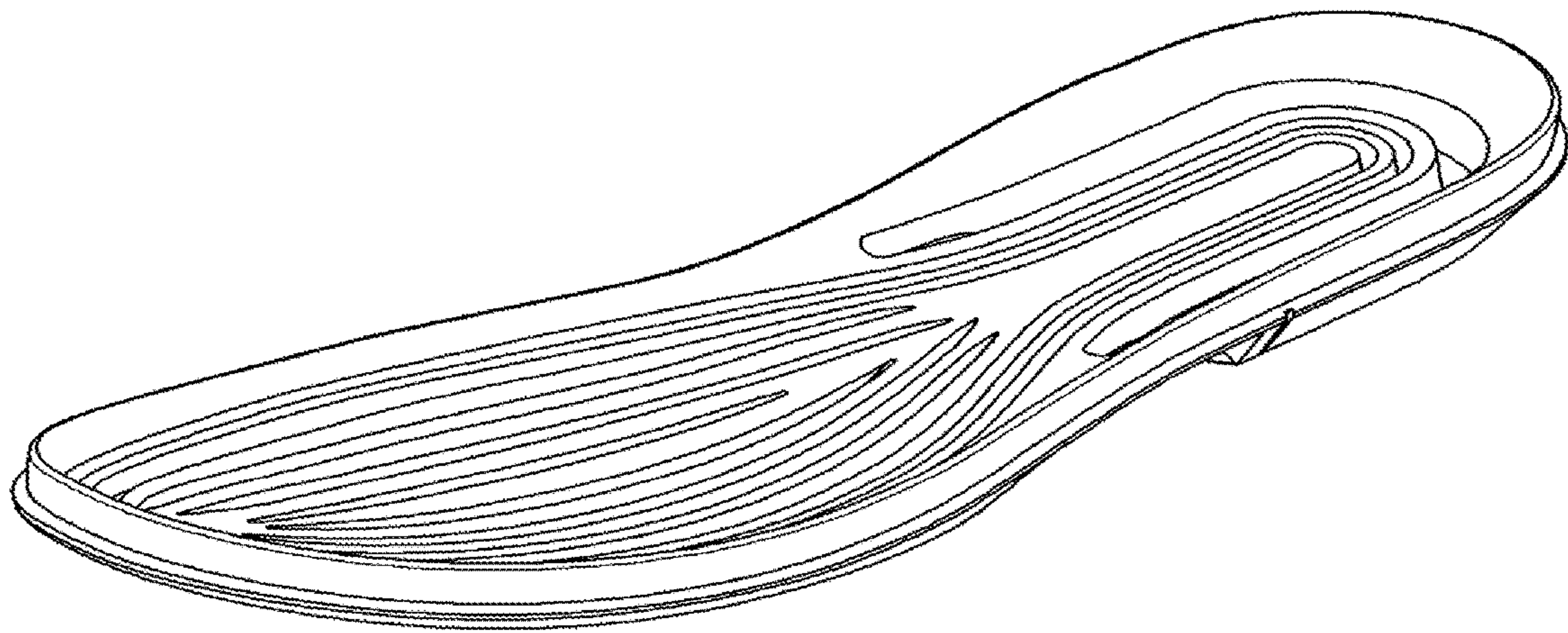


Fig. 1



Fig. 2



Fig. 3



Fig. 4

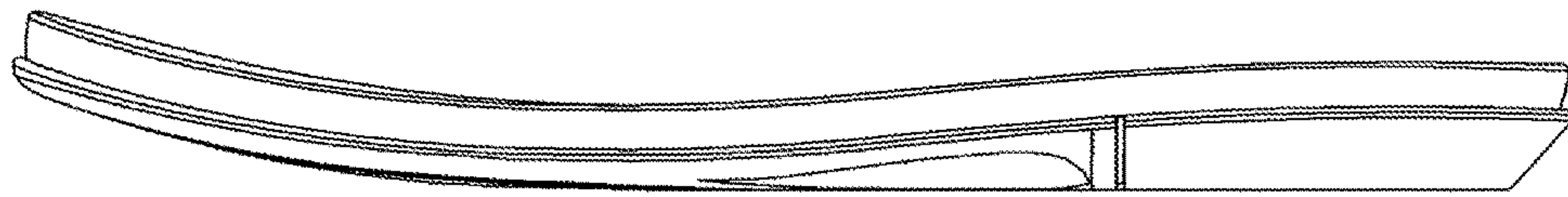


Fig. 5

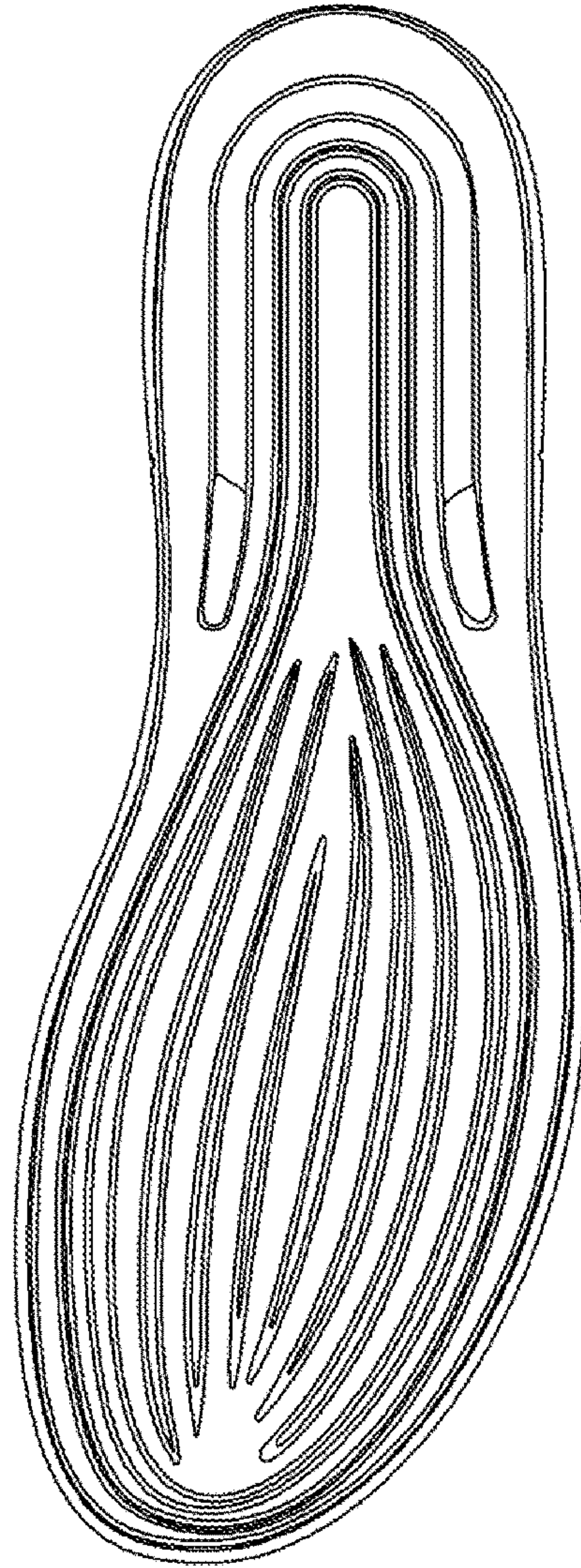


Fig. 6

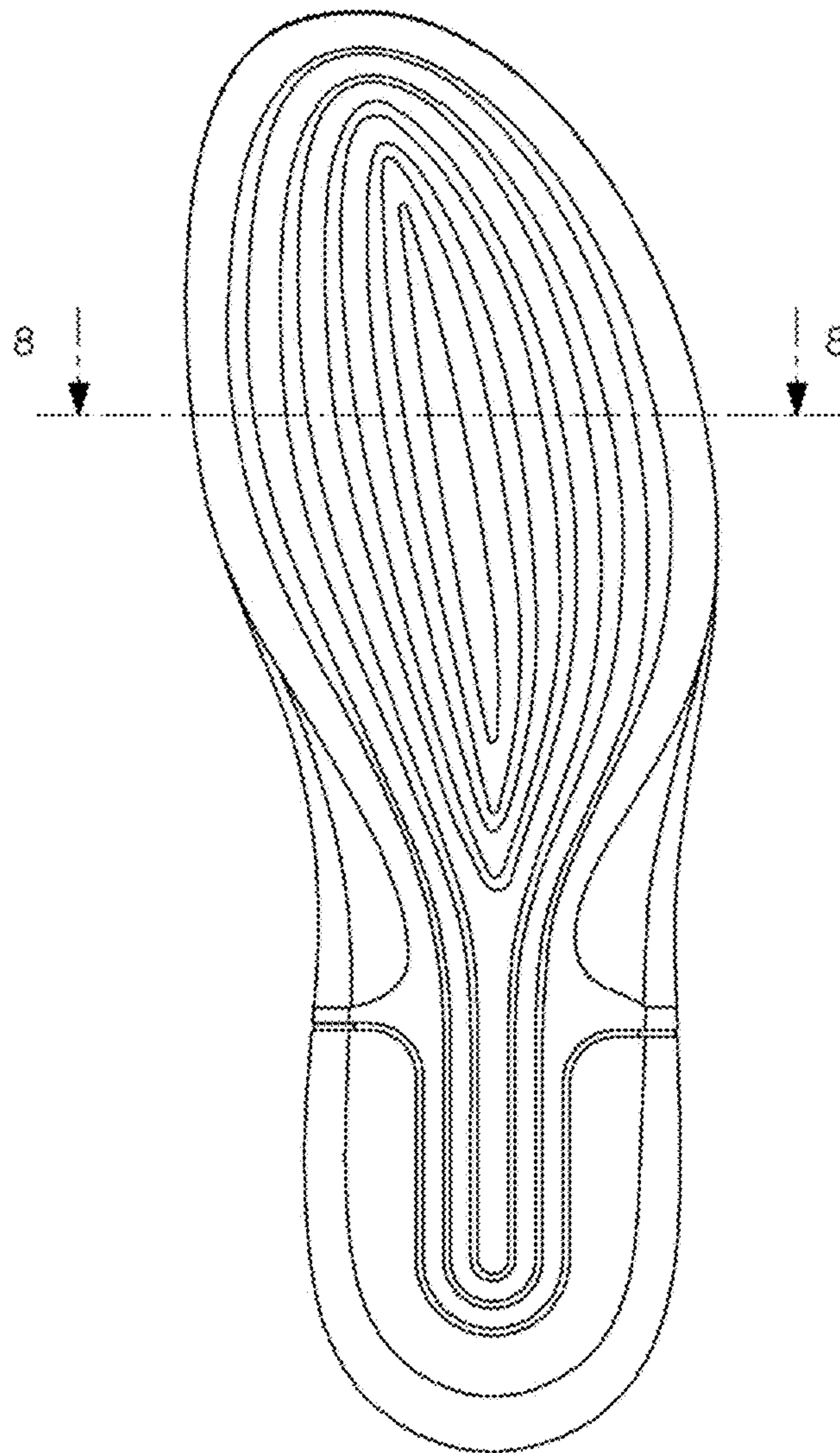


Fig. 7

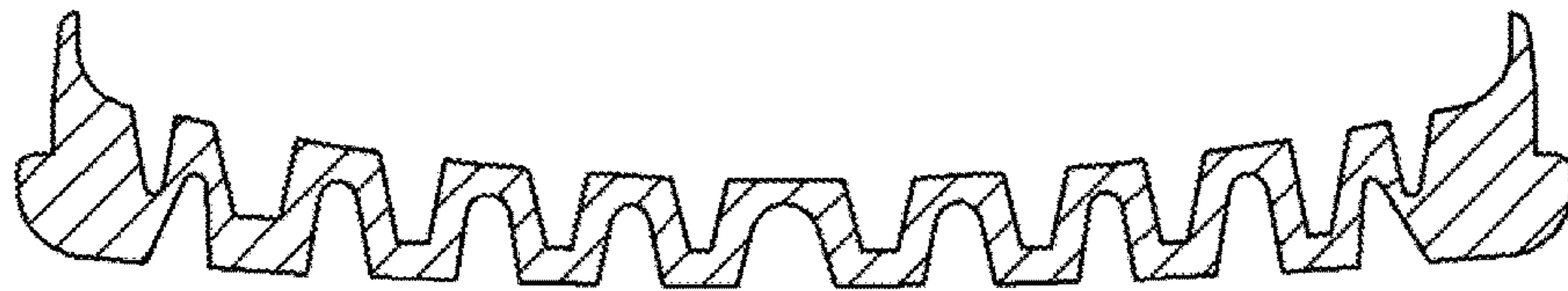


Fig. 8