



US00D785296S

(12) **United States Design Patent**
Lucia et al.

(10) **Patent No.:** **US D785,296 S**
(45) **Date of Patent:** **** May 2, 2017**

- (54) **HALF SHOE WITH SOLE**
- (71) Applicant: **Ballet Makers, Inc.**, Totowa, NJ (US)
- (72) Inventors: **Jaclyn Lucia**, San Diego, CA (US);
Melissa Nataadiningrat, Oakland, NJ (US)
- (73) Assignee: **Ballet Makers, Inc.**, Totowa, NJ (US)
- (**) Term: **15 Years**
- (21) Appl. No.: **29/540,068**
- (22) Filed: **Sep. 21, 2015**
- (51) **LOC (10) Cl.** **02-04**
- (52) **U.S. Cl.**
USPC **D2/902**; D2/913; D2/896
- (58) **Field of Classification Search**
USPC D2/896, 909, 910, 913, 914, 916, 918,
D2/919, 923-934, 938-940, 961, 970-972
CPC ... A43B 3/0036; A43B 3/0052; A43B 3/0078;
A43B 3/02; A43B 3/04; A43B 3/06;
A43B 3/10; A43B 3/101; A43B 3/12;
A43B 3/122; A43B 3/126; A43B 3/14;
A43B 3/20; A43B 5/12; A43B 9/10;
A43B 9/14; A43B 23/02
See application file for complete search history.

(56) **References Cited**

U.S. PATENT DOCUMENTS

- 461,492 A * 10/1891 Browning A43B 7/32
36/72 R
- D85,164 S * 9/1931 Cristofaro D2/932
- 4,277,897 A * 7/1981 O'Connell A43B 5/12
36/106
- D391,744 S * 3/1998 McMaster D2/913
- 6,018,888 A * 2/2000 Wilkenfeld A43B 3/102
36/113
- D435,715 S * 1/2001 Hunter D2/913
- D437,105 S * 2/2001 Mahjied D2/913
- D489,518 S * 5/2004 Maxfield D2/919
- D517,784 S * 3/2006 Wilkenfeld D2/902

- D520,217 S * 5/2006 Kim D2/896
- D530,888 S * 10/2006 Kim D2/896
- D535,461 S * 1/2007 Wilkenfeld D2/896
- D538,515 S * 3/2007 Wilkenfeld D2/902
- D543,676 S * 6/2007 Kim D2/919
- D556,436 S * 12/2007 Wilkenfeld D2/896
- D558,957 S * 1/2008 Wilkenfeld D2/902
- D683,114 S * 5/2013 Vardell D2/909

(Continued)

OTHER PUBLICATIONS

Dance Class Women's HB302 Half Ballet Slipper. Amazon.com May 25, 2012 <<http://www.amazon.com/>>. Accessed on Jul. 27, 2016.*

Primary Examiner — Celia Murphy

Assistant Examiner — Clare Ann Gannon

(74) *Attorney, Agent, or Firm* — Laubscher, Spendlove & Laubscher, P.C.

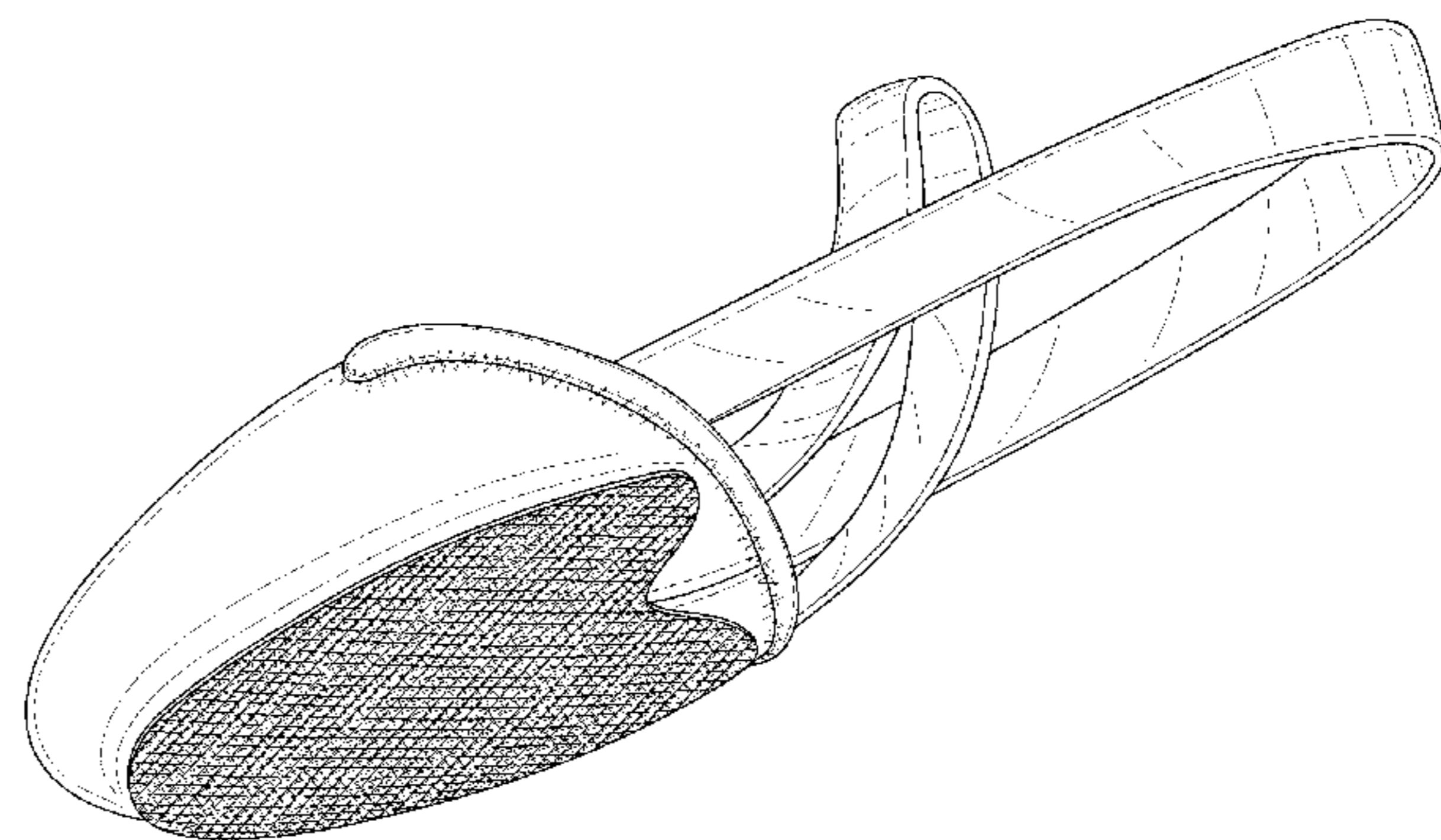
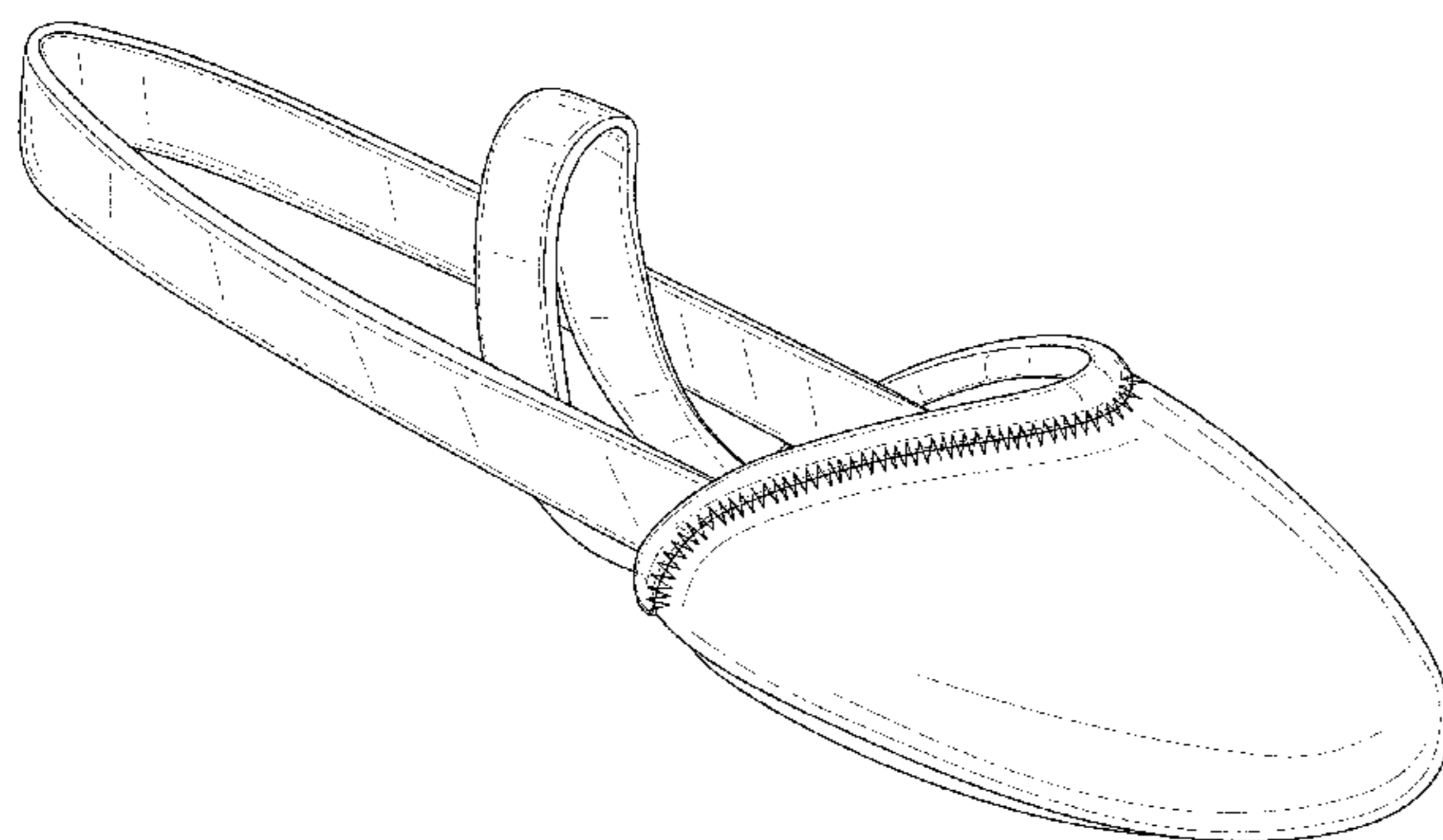
(57) **CLAIM**

The ornamental design for a half shoe with sole, as shown and described.

DESCRIPTION

FIG. 1 is a top perspective view of a first embodiment of our design;
 FIG. 2 is a bottom perspective view of the design of FIG. 1;
 FIG. 3 is a top plan view thereof;
 FIG. 4 is a right side elevation view thereof;
 FIG. 5 is a left side elevation view thereof;
 FIG. 6 is a bottom plan view thereof;
 FIG. 7 is a front elevation view thereof;
 FIG. 8 is a rear elevation view thereof;
 FIG. 9 is a bottom perspective view of an alternate embodiment of our design;
 FIG. 10 is a bottom plan view of FIG. 9; and,
 FIG. 11 is a front elevational view of FIG. 9.
 The dashed lines represent claimed stitching.

1 Claim, 10 Drawing Sheets



(56)

References Cited

U.S. PATENT DOCUMENTS

2006/0196078 A1* 9/2006 Terlizzi A43B 5/12
36/8.3
2008/0034613 A1* 2/2008 Wilkenfeld A43B 3/06
36/8.3
2013/0312283 A1* 11/2013 Tanabe A43B 1/0045
36/83

* cited by examiner

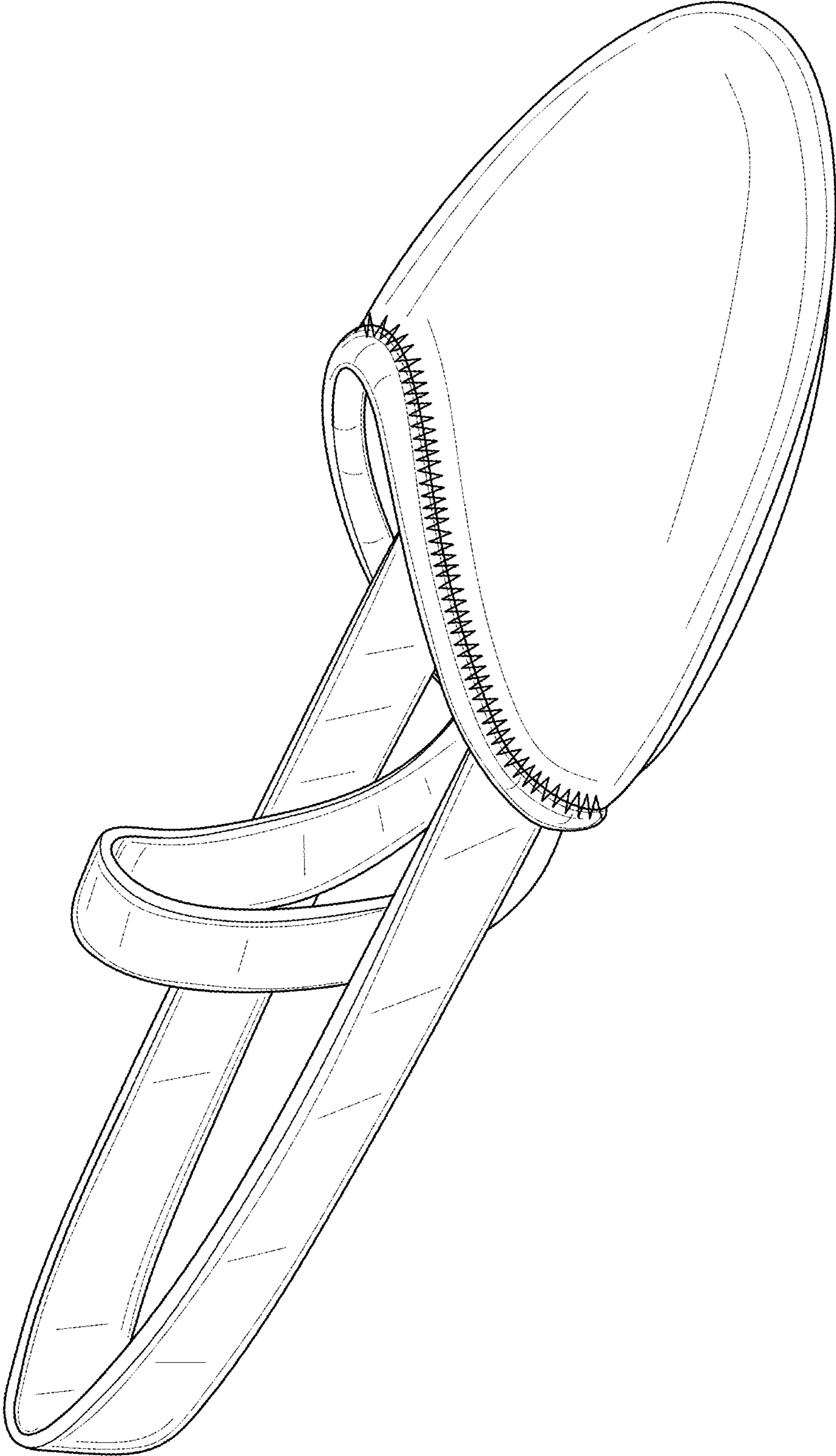


FIG. 1

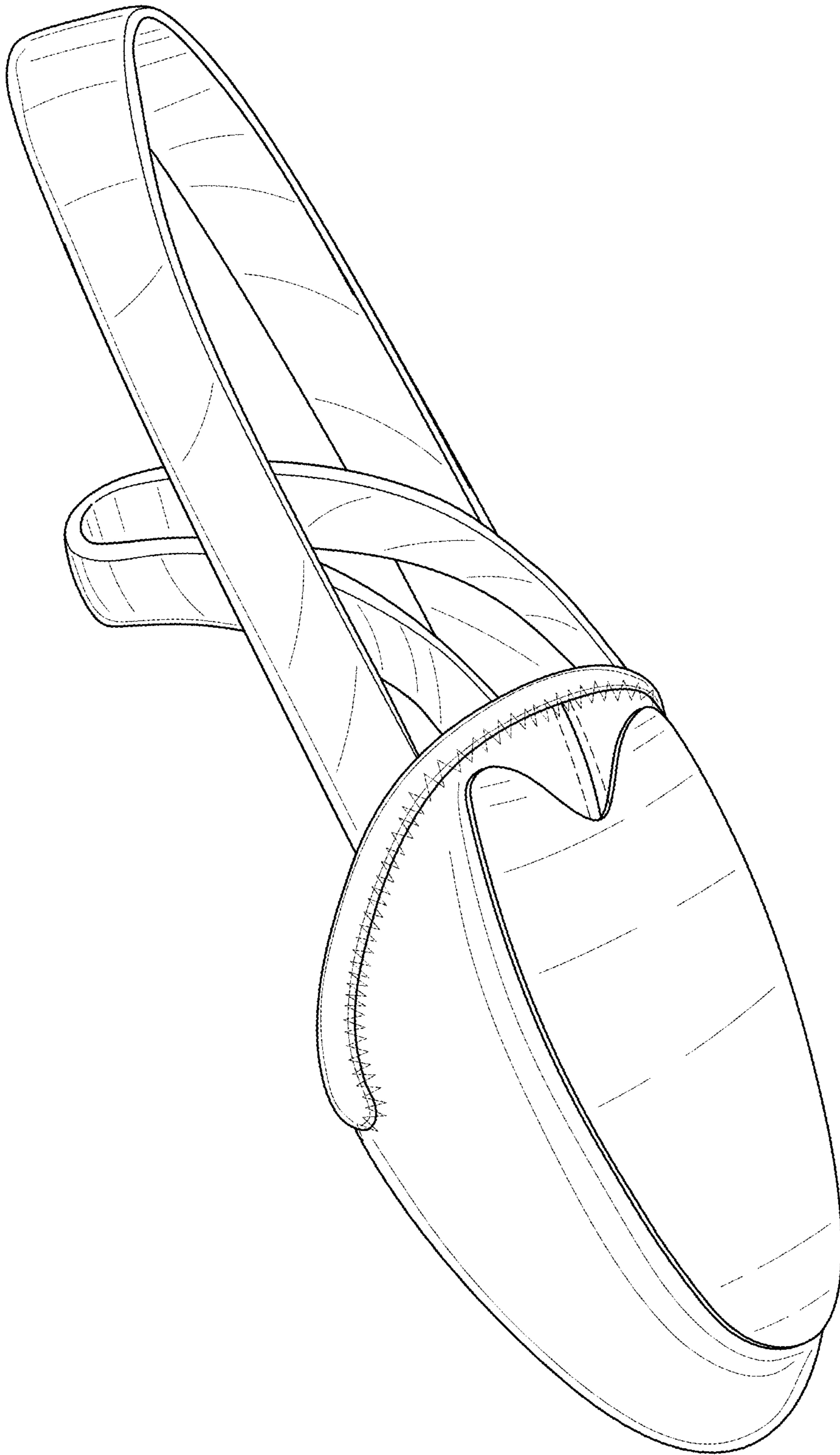


FIG. 2

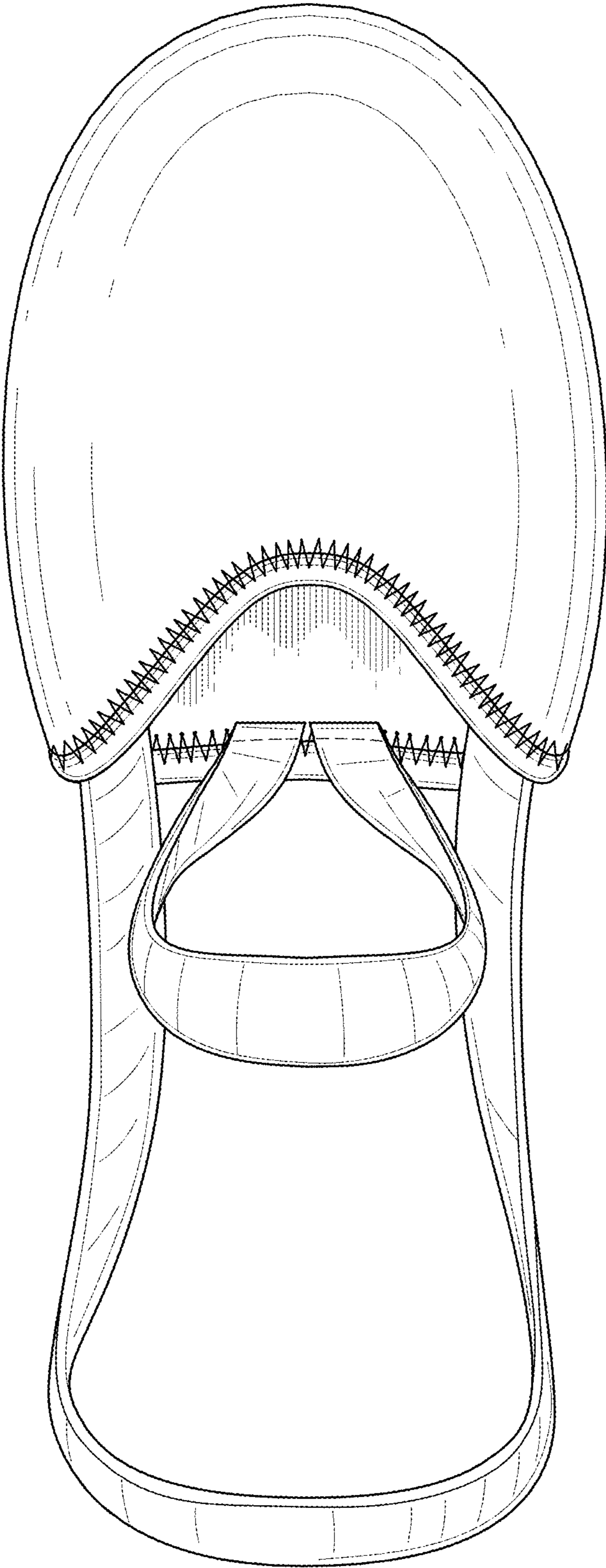


FIG. 3

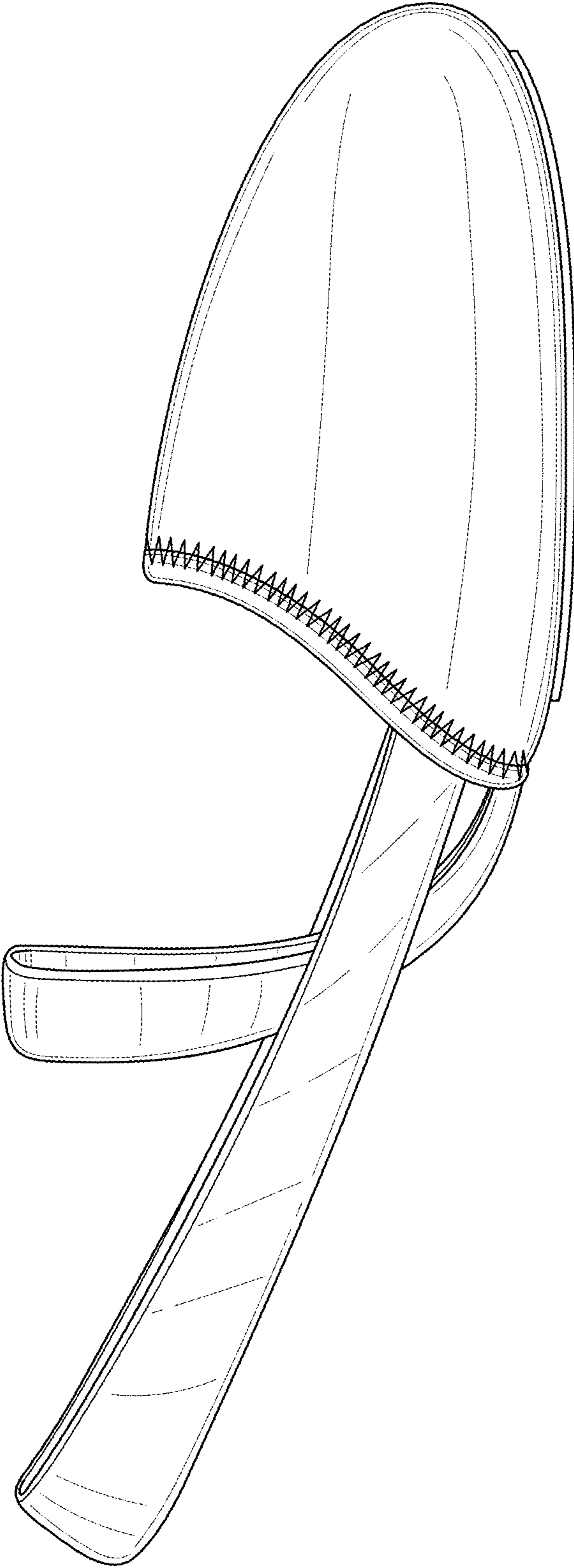


FIG. 4

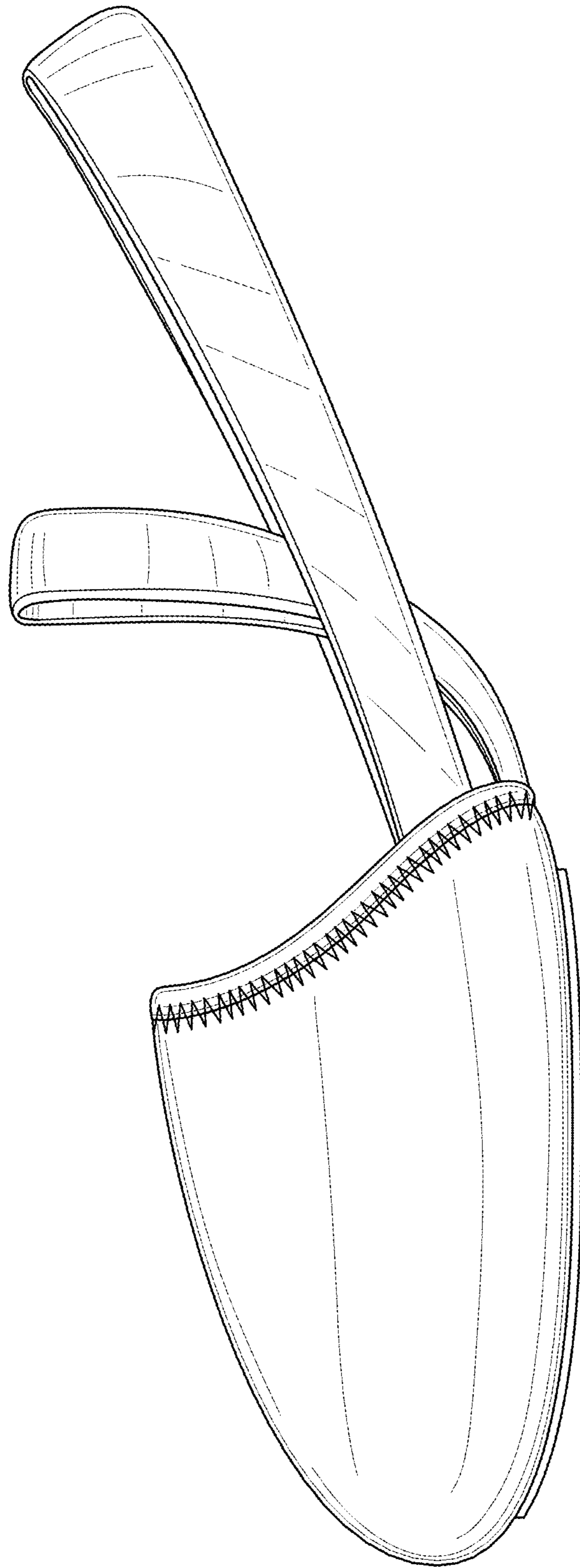


FIG. 5

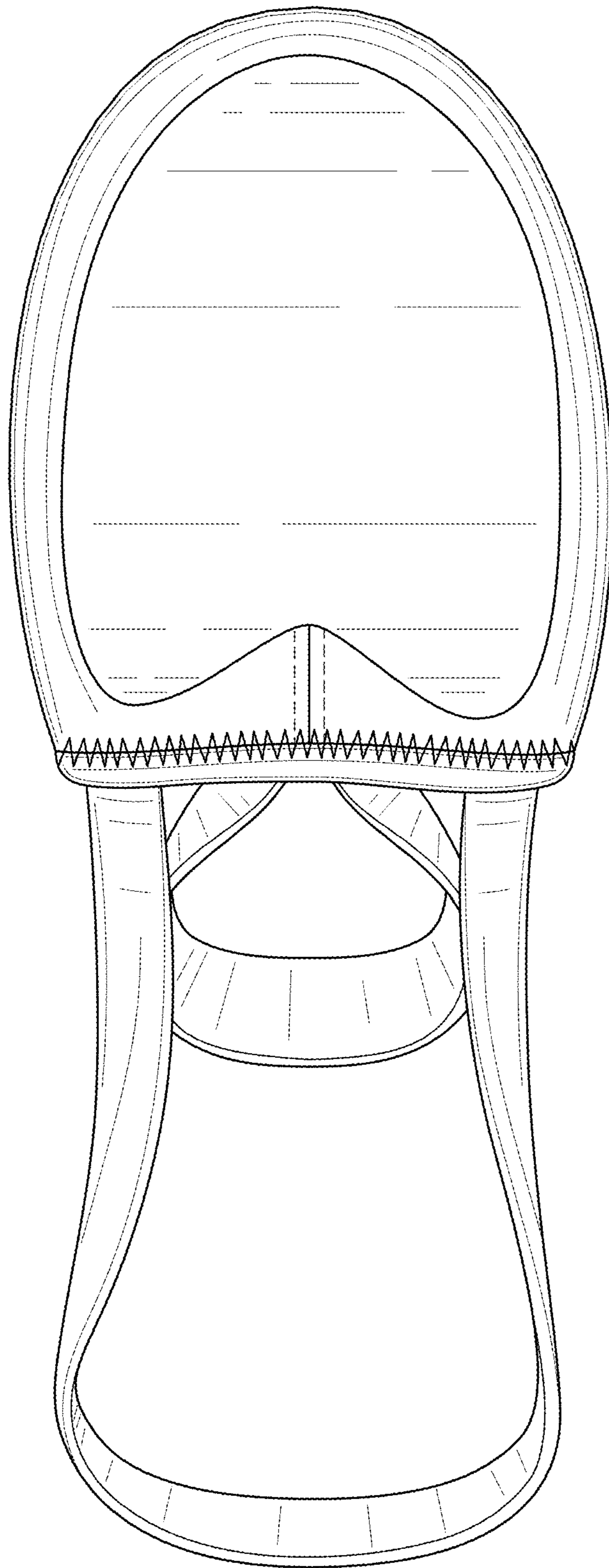


FIG. 6

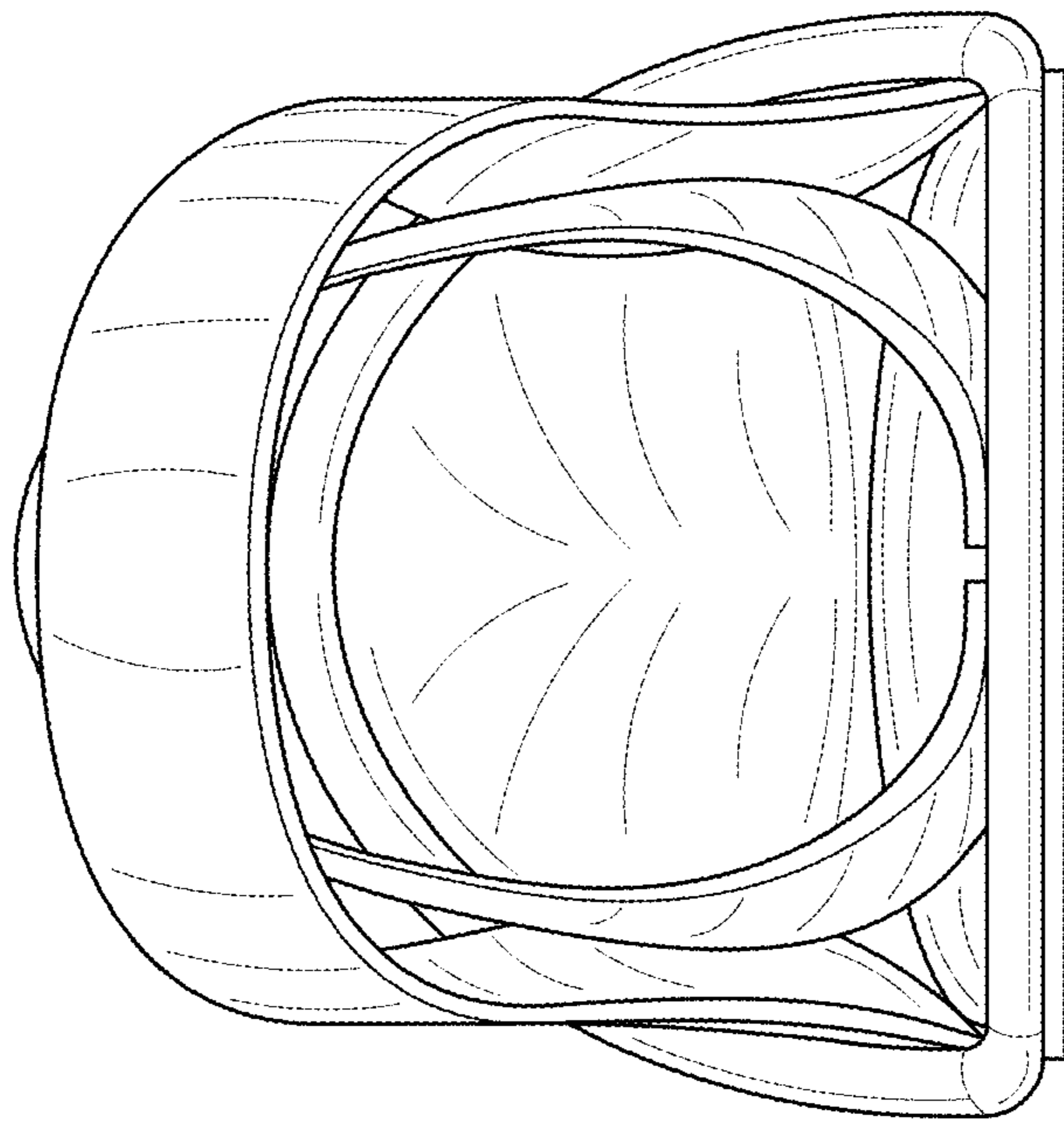


FIG. 7

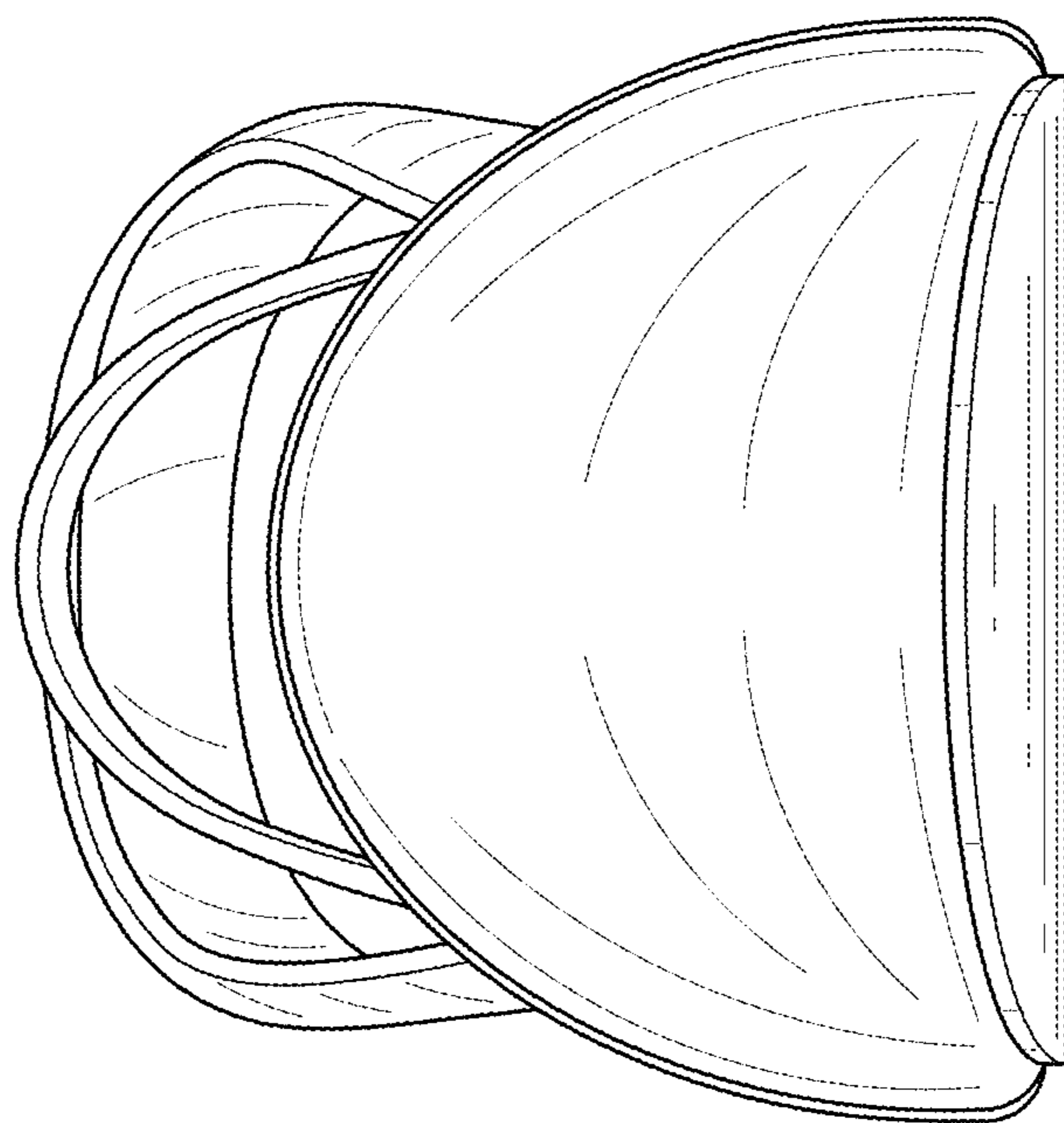


FIG. 8

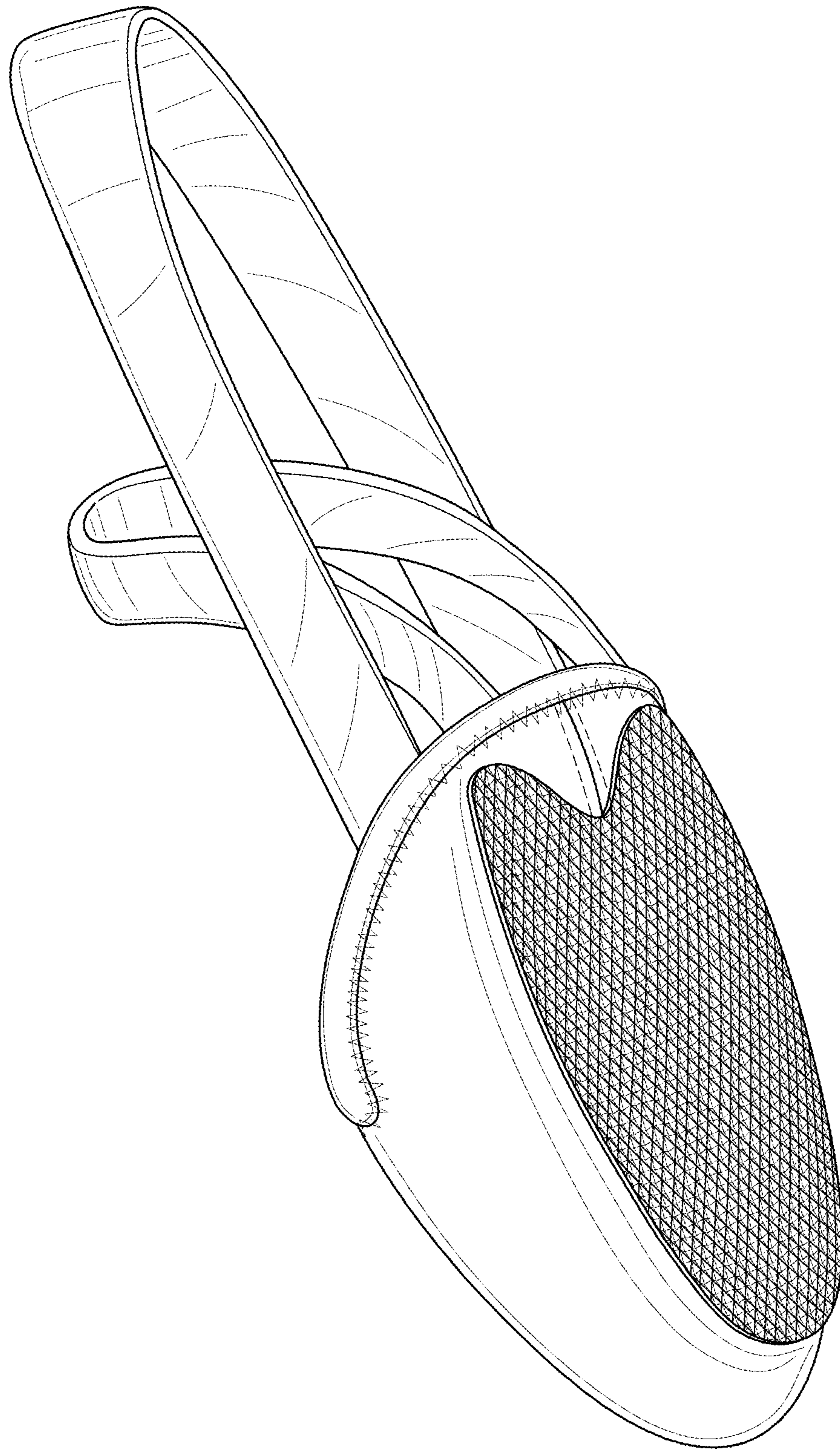


FIG. 9

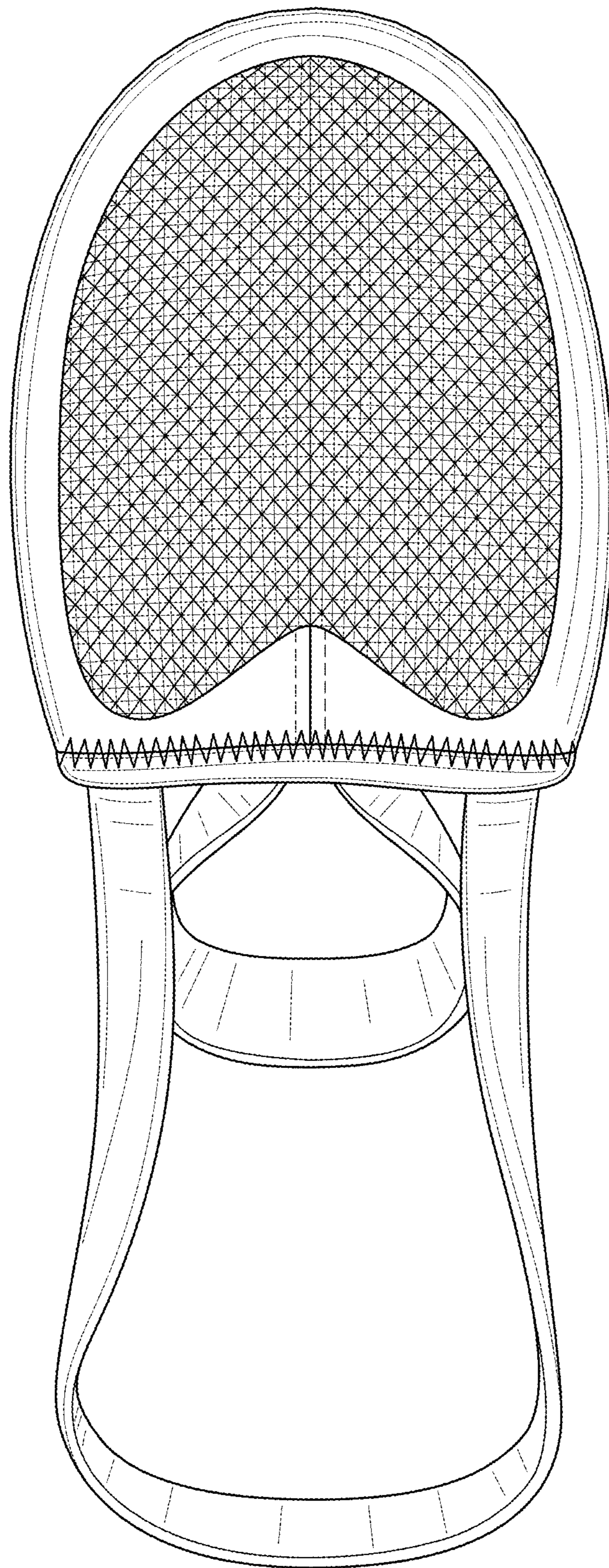


FIG. 10

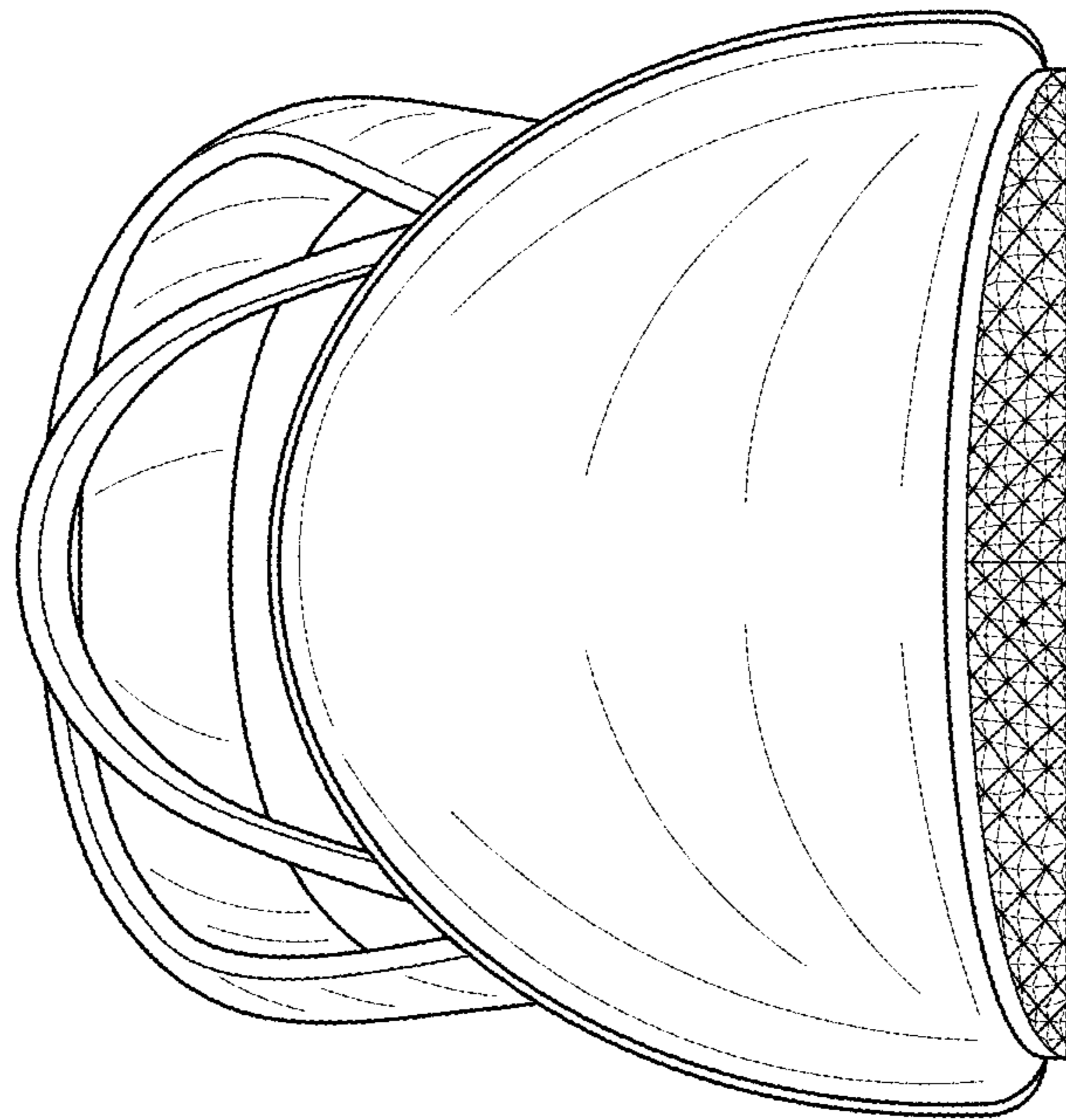


FIG. 11