



US00D785295S

(12) **United States Design Patent** (10) **Patent No.:** **US D785,295 S**
Carroll et al. (45) **Date of Patent:** **** May 2, 2017**

(54) **CANVAS SHOE WITH TOE COVER,
DECORATIVE TOE BUMPER PATTERN,
AND TWO DECORATIVE FOXING STRIPES
ALONG THE TOE COVER**

(71) Applicant: **Payless Shoesource Worldwide, Inc.,**
Topeka, KS (US)

(72) Inventors: **Robert Michael Carroll**, Lawrence, KS
(US); **Jodi Elizabeth Myers Carrier**,
White Plains, NY (US)

(73) Assignee: **PAYLESS SHOESOURCE
WORLDWIDE, INC.**, Topeka, KS
(US)

(**) Term: **14 Years**

(21) Appl. No.: **29/522,830**

(22) Filed: **Apr. 2, 2015**

Related U.S. Application Data

(62) Division of application No. 29/437,616, filed on Nov.
19, 2012, now Pat. No. Des. 729,503.

(51) **LOC (10) Cl.** **02-04**

(52) **U.S. Cl.**
USPC **D2/902**

(58) **Field of Classification Search**
USPC D2/896, 902, 905, 906, 907, 908, 909,
D2/910, 911, 912, 943, 944, 945, 946,
D2/947, 953, 972, 976, 977

(Continued)

(56) **References Cited**

U.S. PATENT DOCUMENTS

1,581,783 A 4/1926 Bullock 36/89
1,708,156 A 4/1929 Scroggins 36/89

(Continued)

OTHER PUBLICATIONS

Converse Chuck Taylor All Star, dated 2011.

(Continued)

Primary Examiner — Elizabeth J Oswecki

(74) *Attorney, Agent, or Firm* — Proskauer Rose LLP

(57) **CLAIM**

The ornamental design for a canvas shoe with toe cover,
decorative toe bumper pattern, and two decorative foxing
stripes along the toe cover, as shown and described.

DESCRIPTION

FIG. 1 is a right side perspective view of a first embodiment
of a canvas shoe with toe cover, decorative toe bumper
pattern, and two decorative foxing stripes along the toe
cover showing our new design;

FIG. 2 is a top plan view thereof;

FIG. 3 is a right side elevation view thereof;

FIG. 4 is a bottom plan view thereof;

FIG. 5 is a left side elevation thereof;

FIG. 6 is a rear elevation view thereof;

FIG. 7 is a right side perspective view of a second embodi-
ment of a canvas shoe with toe cover, decorative toe bumper
pattern, and two decorative foxing stripes along the toe
cover showing our new design;

FIG. 8 is a top plan view thereof;

FIG. 9 is a right side elevation view thereof;

FIG. 10 is a bottom plan view thereof;

FIG. 11 is a left side elevation thereof;

FIG. 12 is a rear elevation view thereof;

FIG. 13 is a right side perspective view of a third embodi-
ment of a canvas shoe with toe cover, decorative toe bumper
pattern, and two decorative foxing stripes along the toe
cover showing our new design;

FIG. 14 is a top plan view thereof;

FIG. 15 is a right side elevation view thereof;

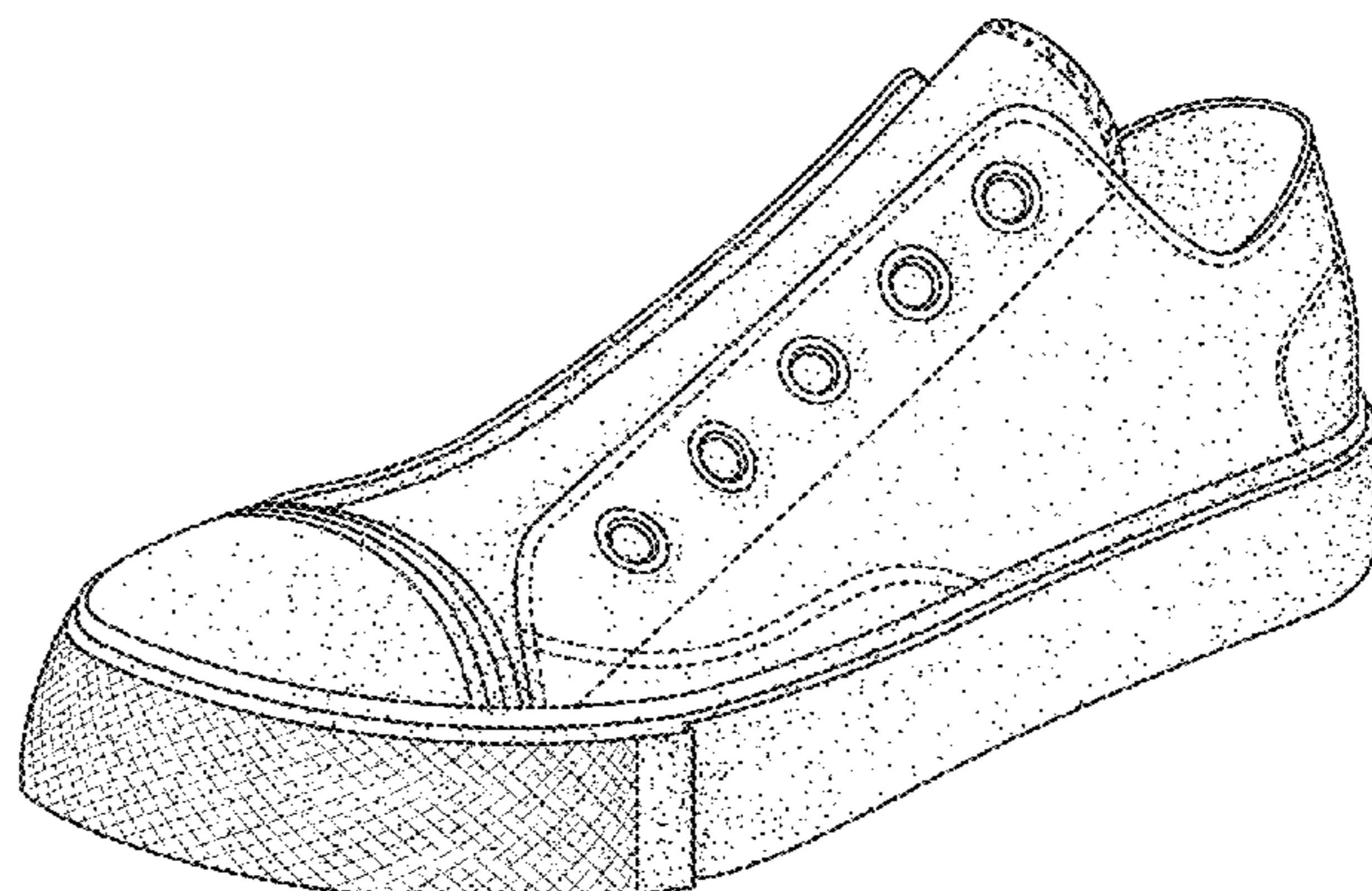
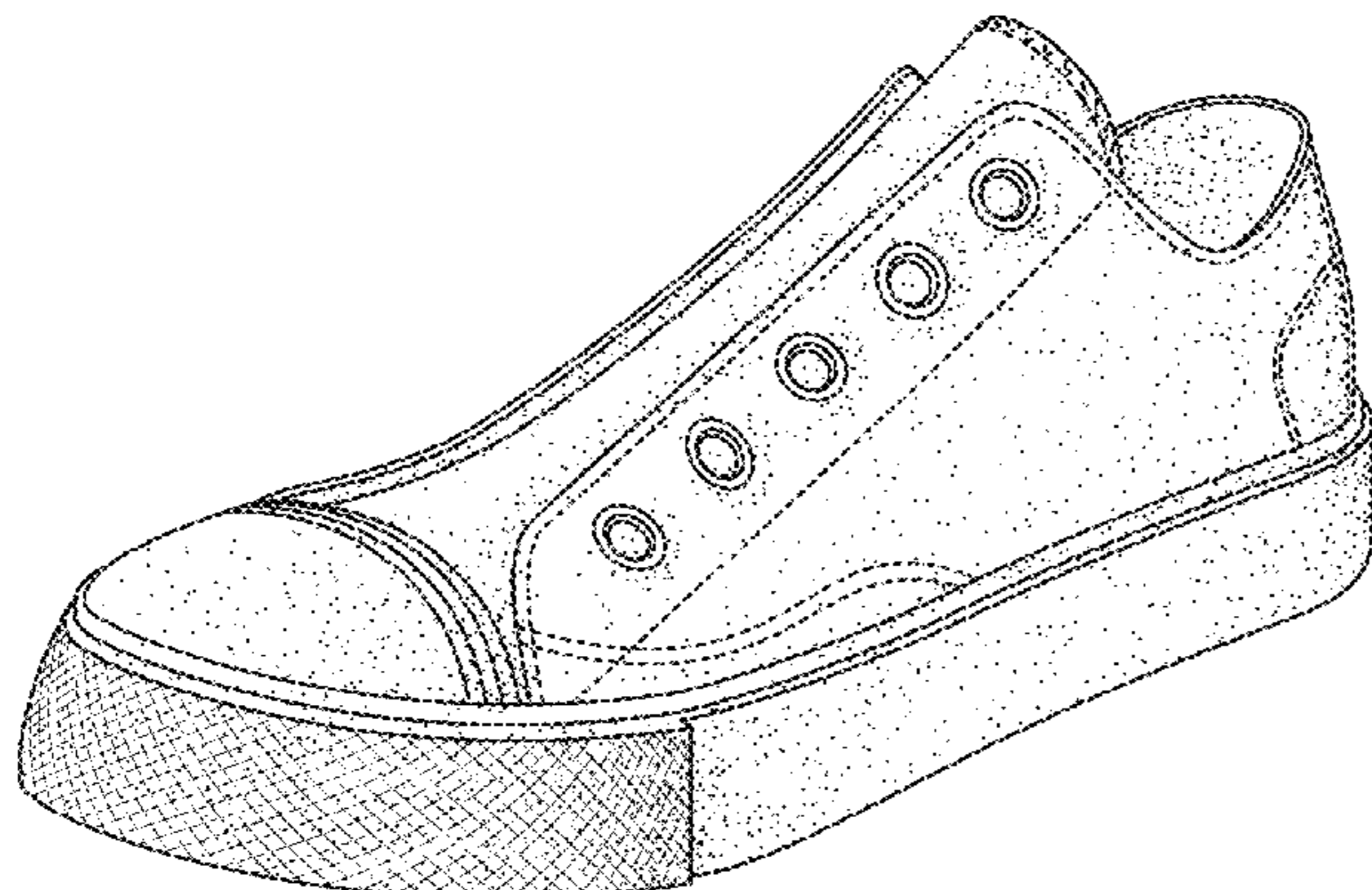
FIG. 16 is a bottom plan view thereof;

FIG. 17 is a left side elevation view thereof;

FIG. 18 is a rear elevation view thereof;

FIG. 19 is a right side perspective view of a fourth embodi-
ment of a canvas shoe with toe cover, decorative toe bumper

(Continued)



pattern, and two decorative foxing stripes along the toe cover showing our new design;
 FIG. 20 is a top plan view thereof;
 FIG. 21 is a right side elevation view thereof;
 FIG. 22 is a bottom plan view thereof;
 FIG. 23 is a left side elevation view thereof; and,
 FIG. 24 is a rear elevation view thereof.
 The broken lines shown on the shoe represent thread stitching.
 All surfaces not shown form no part of the claimed design.

1 Claim, 12 Drawing Sheets

(58) **Field of Classification Search**

CPC A43B 1/00; A43B 3/00; A43B 5/00; A43B 5/001; A43B 5/002; A43B 5/003; A43B 5/006; A43B 5/007; A43B 5/008; A43B 5/02; A43B 5/025; A43B 5/06; A43B 5/08; A43B 5/10; A43B 5/14; A43B 5/145

See application file for complete search history.

(56) **References Cited**

U.S. PATENT DOCUMENTS

1,952,628	A	3/1934	MacDonald	36/4
D173,030	S	9/1954	Hoza	D2/902
2,994,972	A	8/1961	Blair	36/92
3,613,273	A	10/1971	Marquis	36/89
D233,805	S	12/1974	Kubo	D2/902
D273,244	S	4/1984	Norton et al.	D2/902
D279,139	S	6/1985	Gamm	D2/902
4,584,783	A	4/1986	Dobbin	36/50.1
D555,332	S	11/2007	Liles	D2/902
D555,333	S	11/2007	Riebesell	D2/902
D590,138	S	4/2009	Cofinco	D2/902
D590,579	S	4/2009	Cofinco	D2/902
D611,240	S	3/2010	Choi	D2/969
D615,734	S	5/2010	Di Nucci	D2/907
D634,519	S	3/2011	Choi	D2/902
D634,520	S	3/2011	Choi	D2/902
D641,546	S	7/2011	Choi	D2/969
D641,963	S	7/2011	Choi	D2/969
D656,715	S	4/2012	Katz et al.	D2/902
D665,562	S	8/2012	Di Nucci	D2/902
D670,479	S	11/2012	Maier	D2/907
D680,714	S *	4/2013	Della Valle	D2/908
D681,314	S	5/2013	Dumain	D2/902
D701,680	S	4/2014	Della Valle et al.	D2/902
D702,024	S	4/2014	Della Valle et al.	D2/902
D702,423	S	4/2014	Della Valle et al.	D2/902
D723,258	S *	3/2015	Weddle	D2/907
D725,353	S *	3/2015	Della Valle	D2/944
D729,503	S *	5/2015	Carroll	D2/902
D731,761	S *	6/2015	Carroll	D2/907
D735,976	S *	8/2015	Siegel	D2/908
D760,482	S *	7/2016	Siegel	D2/902
D760,483	S *	7/2016	Siegel	D2/908
D769,586	S *	10/2016	Buscemi	D2/902
2010/0275470	A1 *	11/2010	Hoffer	A43B 1/0009 36/3 R
2011/0072687	A1 *	3/2011	Bobbett	A43B 5/001 36/127

OTHER PUBLICATIONS

PF Flyers, Source: Zappos.com, <http://www.zappos.com/multiview/7742896/291927> (last visited Mar. 29, 2012).
 PF Flyer Kids Center Hi (toddler/youth), dated 2012.
 Advertisement showing P.F. Shoes made by B.F. Goodrich and Hood; undated, believed to be available in 1950; 1 page.
 Original PRO-Keds 69er; undated, believed to be available in 1970; 1 page.
 Pro-Keds Unisex Royal Hi Leather Sneaker, 2012.
 1925 Keds Advertisement, dated 1925.
 Keds, Source: *Old Sneakers—1934 Keds*, Charlie's Sneaker Pages, <http://sneakers.pair.com/o-34keds.htm> (last visited Mar. 1, 2012).
 Spalding, Source: *Sports Memorabilia Museum—Basketball History*, <http://www.sportmemorabilia-museum.com/basketballhistory/1930s-spalding-basketball-shoes.shtml> (last visited Mar. 1, 2012).
 Spaulding SS advertisement showing its signature orange sole; undated, believed to be available in 1970; 1 page.
 Sears Source: *Old Sneakers—1946 Basketball High—Tops*, Charlie's Sneaker Pages, <http://sneakers.pair.com/o-46high.htm> (last visited Mar. 1, 2012).
 Levi's Source: Zappos.com, <http://www.zappos.com/multiview/7832429/3> (last visited Mar. 29, 2012).
 Crocs Source: 6pm.com, <http://www.6pm.com/multiview/7818893/16191> (last visited Mar. 29, 2012).
 Keen Source: Zappos.com, <http://www.zappos.com/multiview/7490213/218884> (last visited Mar. 29, 2012).
 Prada Source: Bluefly.com, http://www.bluefly.com/prada-pradasport-petrol-velvet-cap-toesneakers/PRODUCT_FEED/315295801/detail.fly (last visited Mar. 29, 2012).
 Pony Shooter, '78 Source: Amazon.com, <http://www.amazon.com/Pony-Mens-Shooter-Canvas-Cream/dp/B000AXMIXY> (last visited Mar. 29, 2012).
 Diesel II, dated 2012.
 Burberry Check Lace-Up Sneaker, <http://shop.norstrom.com/s/burberry-check-lace-up-sneaker/2964612> [Apr. 2, 2012 11:17:29 AM].
 Calvin Klein Jeans Len, <http://www.zappos.com/multiview/7841091/4854> [Apr. 2, 2012 11:15:46 AM].
 Coach: Bonny Sneaker, <http://www.coach.com/...eaker&price=11800&style=Q1456&size=null&color=KHAKI/SILVER%20MLTCOLOR&colorString=amy> [Apr. 2, 2012 11:16:37 AM].
 Zappos.com, Ed Hardy Devinette, 2012.
 Zappos.com, Ed Hardy Highrise, 2012.
 Belstaff 'Jair' High Top Trainer, 2012.
 Juicy Couture, 6PM.com, 2012.
 Montauk High-Top Sneaker, http://ralphlauren.com/product/index.jsp?productId=12571509&utm_medium=feed&utm_source=RLGoole%2BShopping&utm_campaign=Product%2BSearch [Apr. 2, 2012 11:18:59 AM].
 Skechers Kids Twinkles Toes—S Lights—Shuffles—Lightening Hearts, <http://www.zappos.com/multiview/7752294/276341> [Apr. 2, 2012 11:25:48 AM].
 Stride Rite, 6PM.com, 2012.
 Sanrio Hello Kitty Hi Top Color Canvas Shoes Vivitix, 2012.
 Diane Von Furstenberg for GAP Printed DVF Hearts Women7, <http://www.ebay.com/itm/Diane-Von-Furstenburg-GAP-Printed-DVF-Hearts-Hi-Tops-Shoes-SIZE-Kids5-Women7-/130673443490#vi-content> [Apr. 2, 2012 11:21:17 AM].
 Civic Duty 'Illumination' Sneaker, 2012.

* cited by examiner

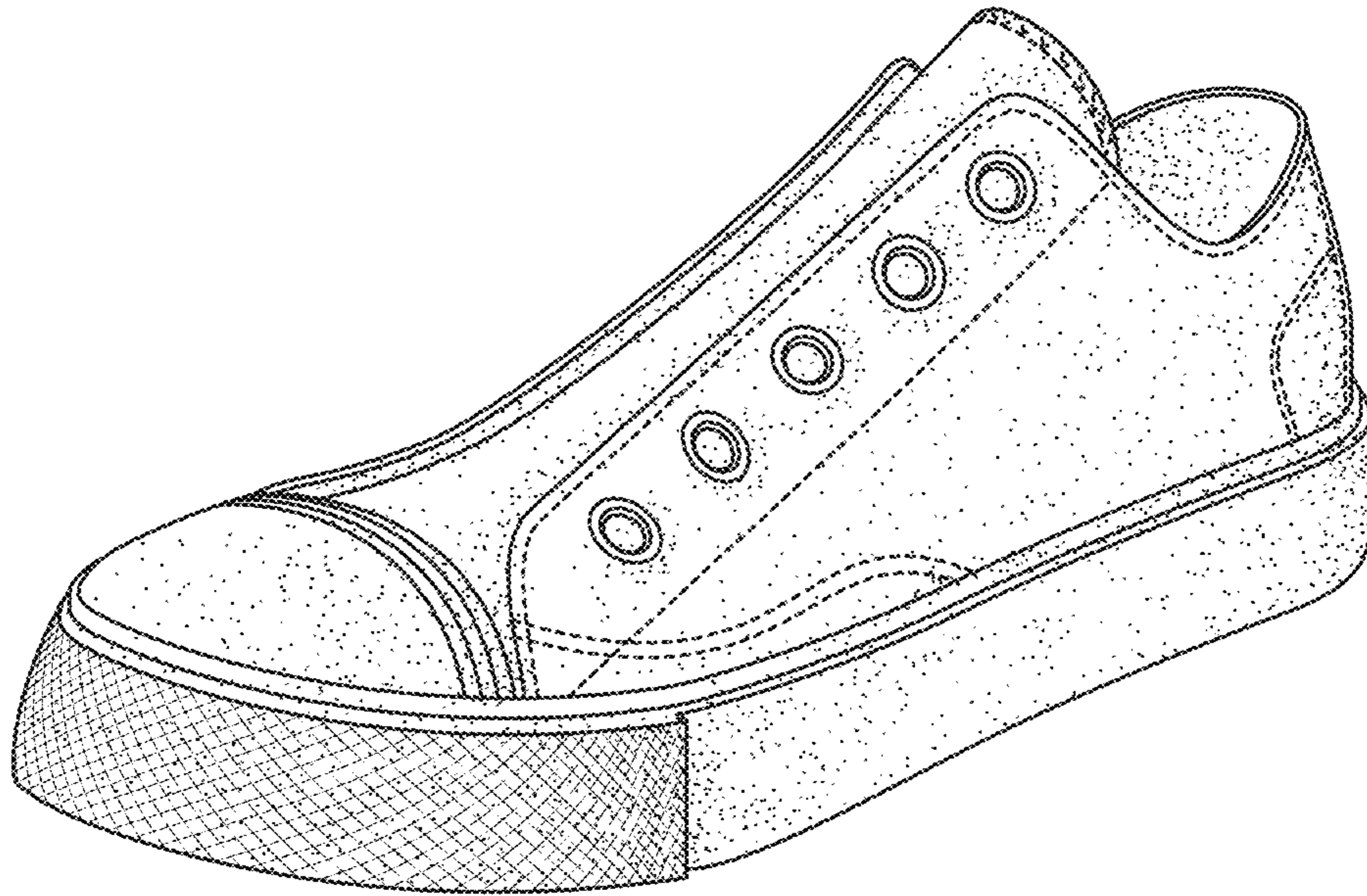


FIG. 1

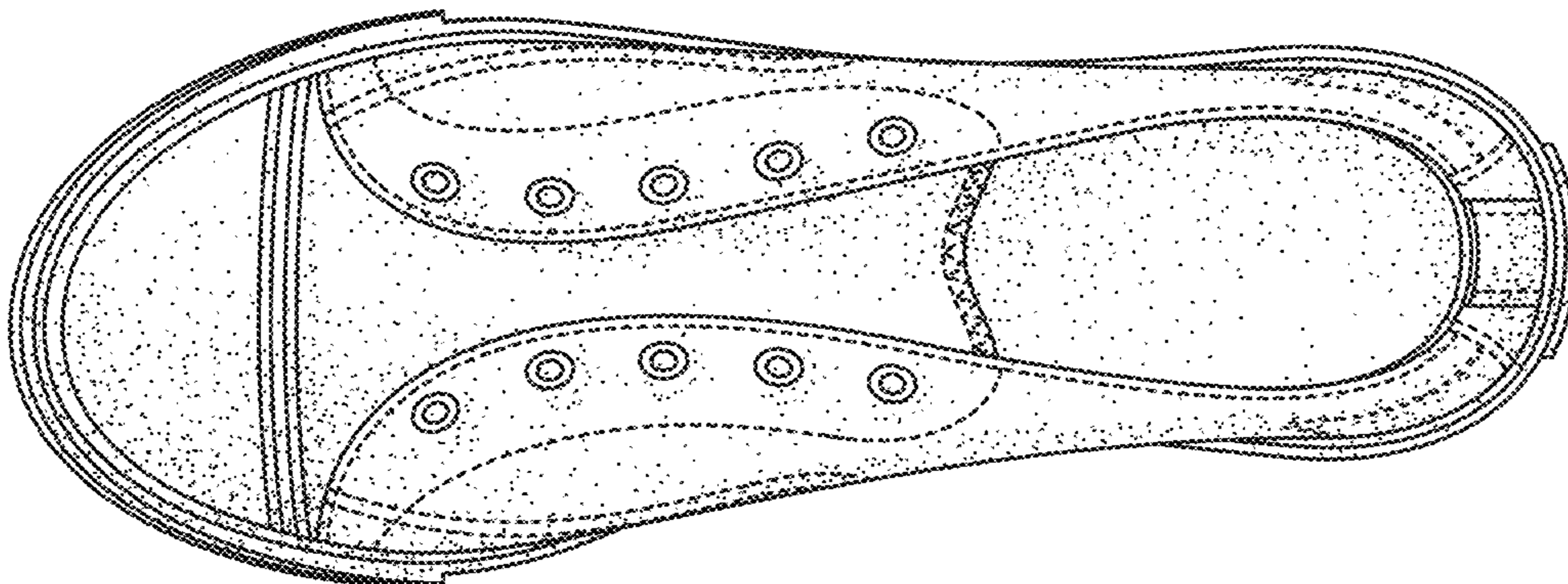


FIG. 2

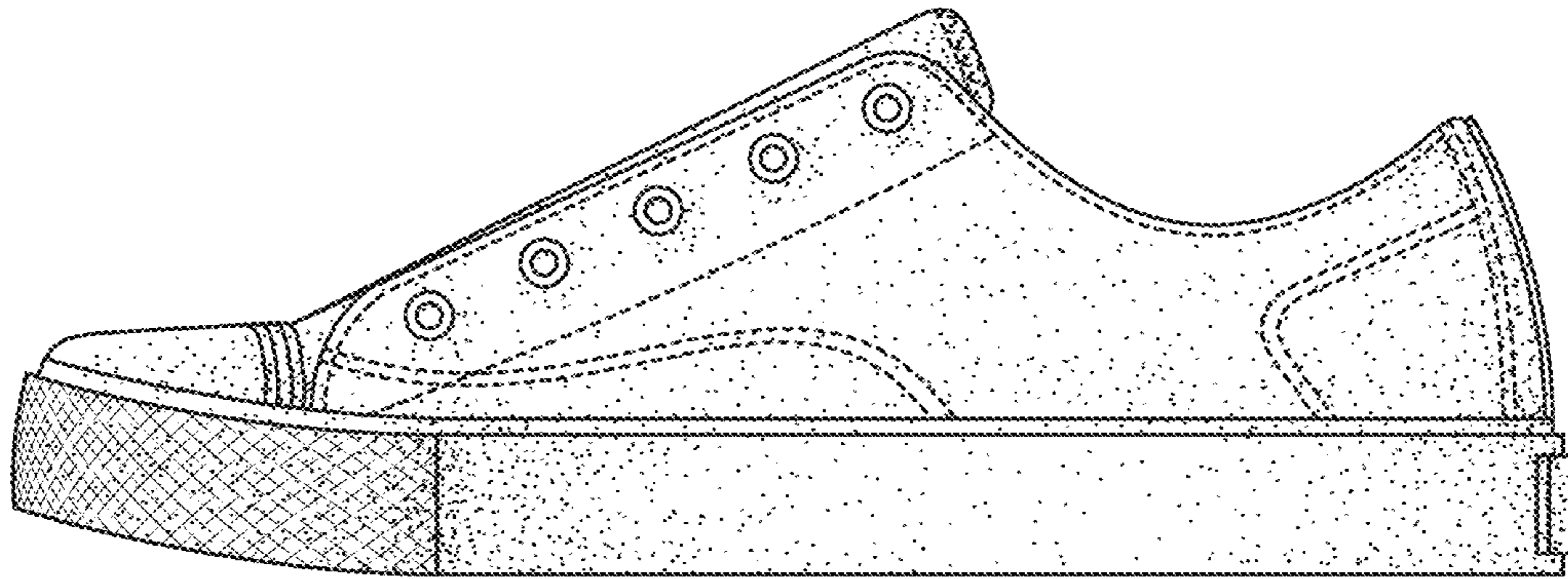


FIG. 3

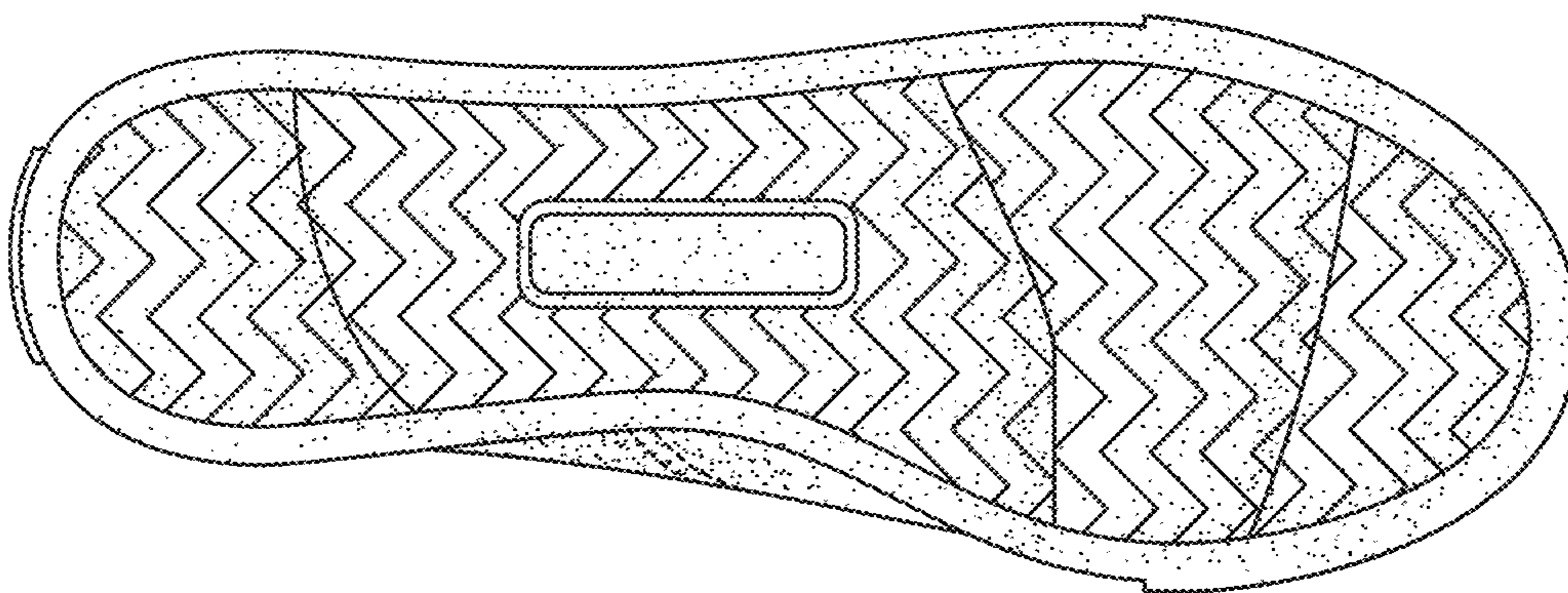


FIG. 4

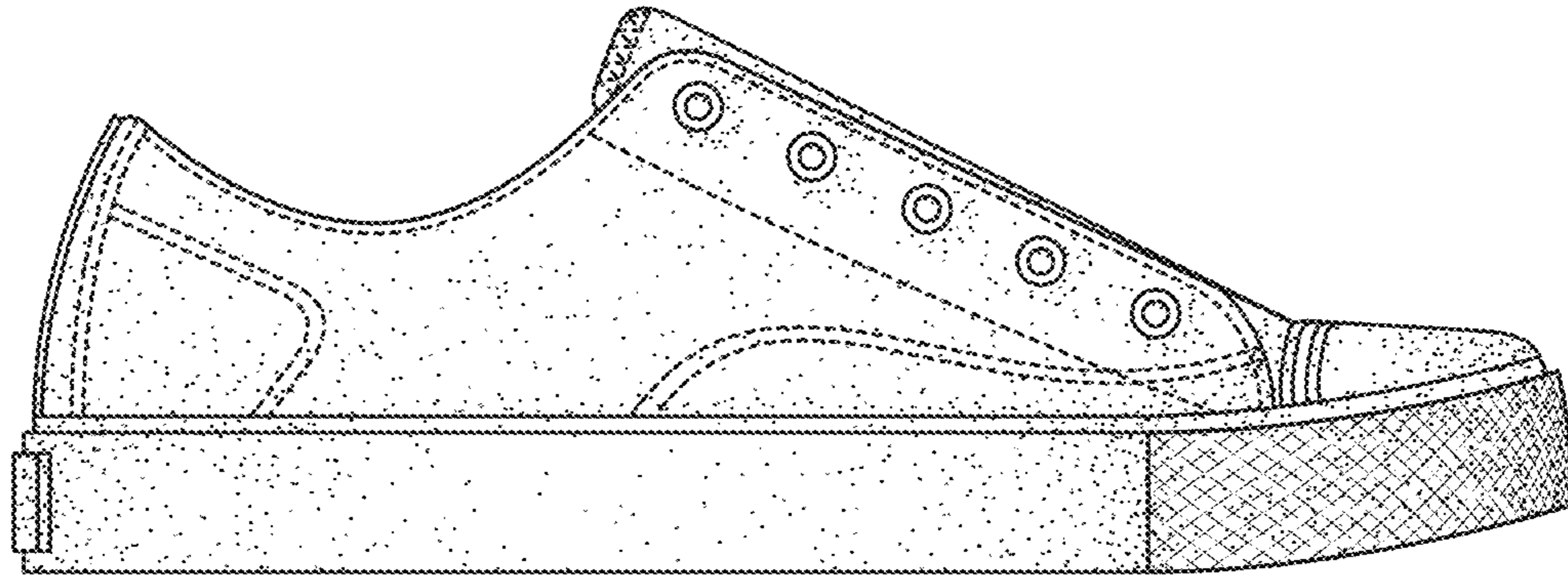


FIG. 5

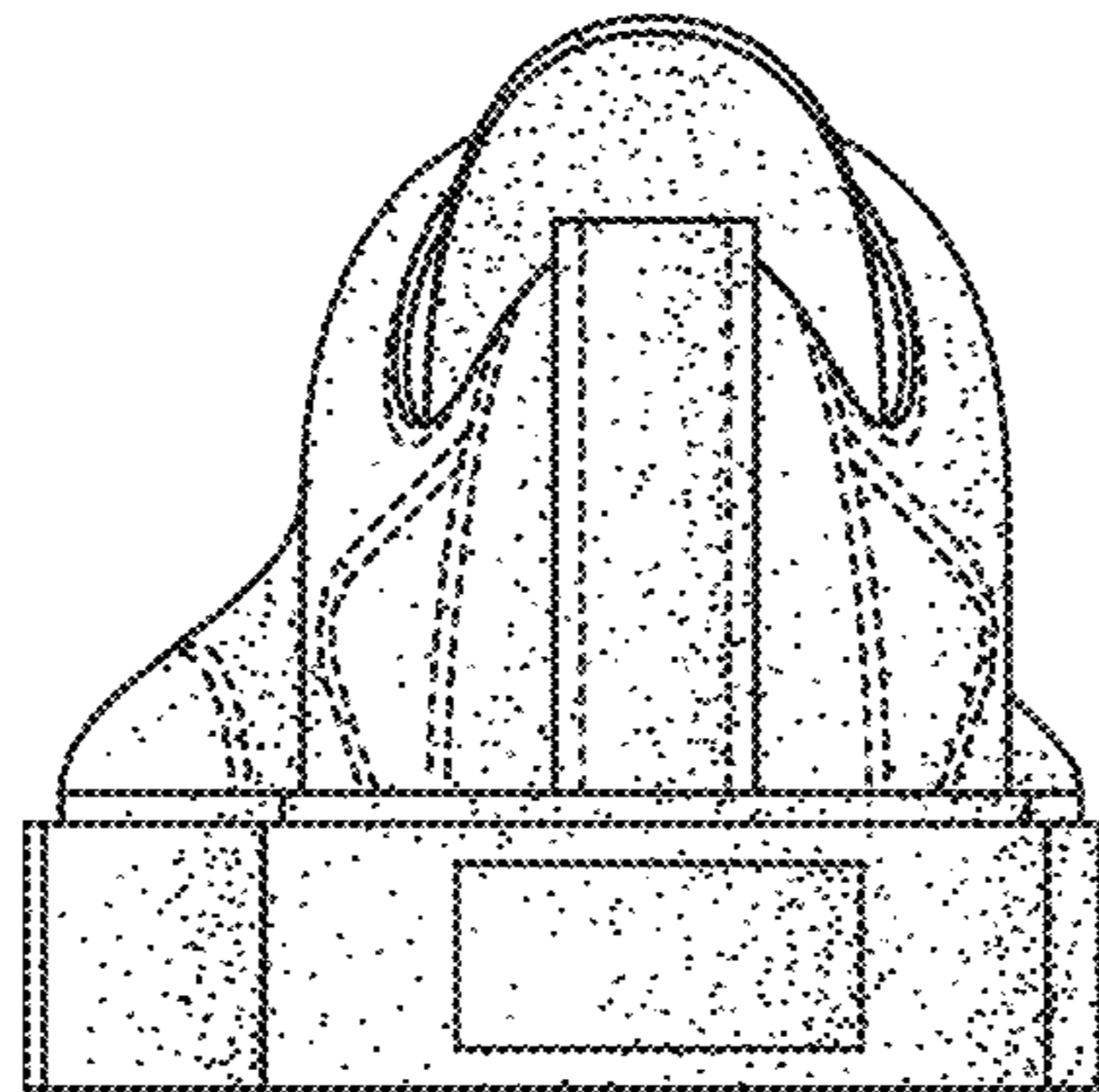


FIG. 6

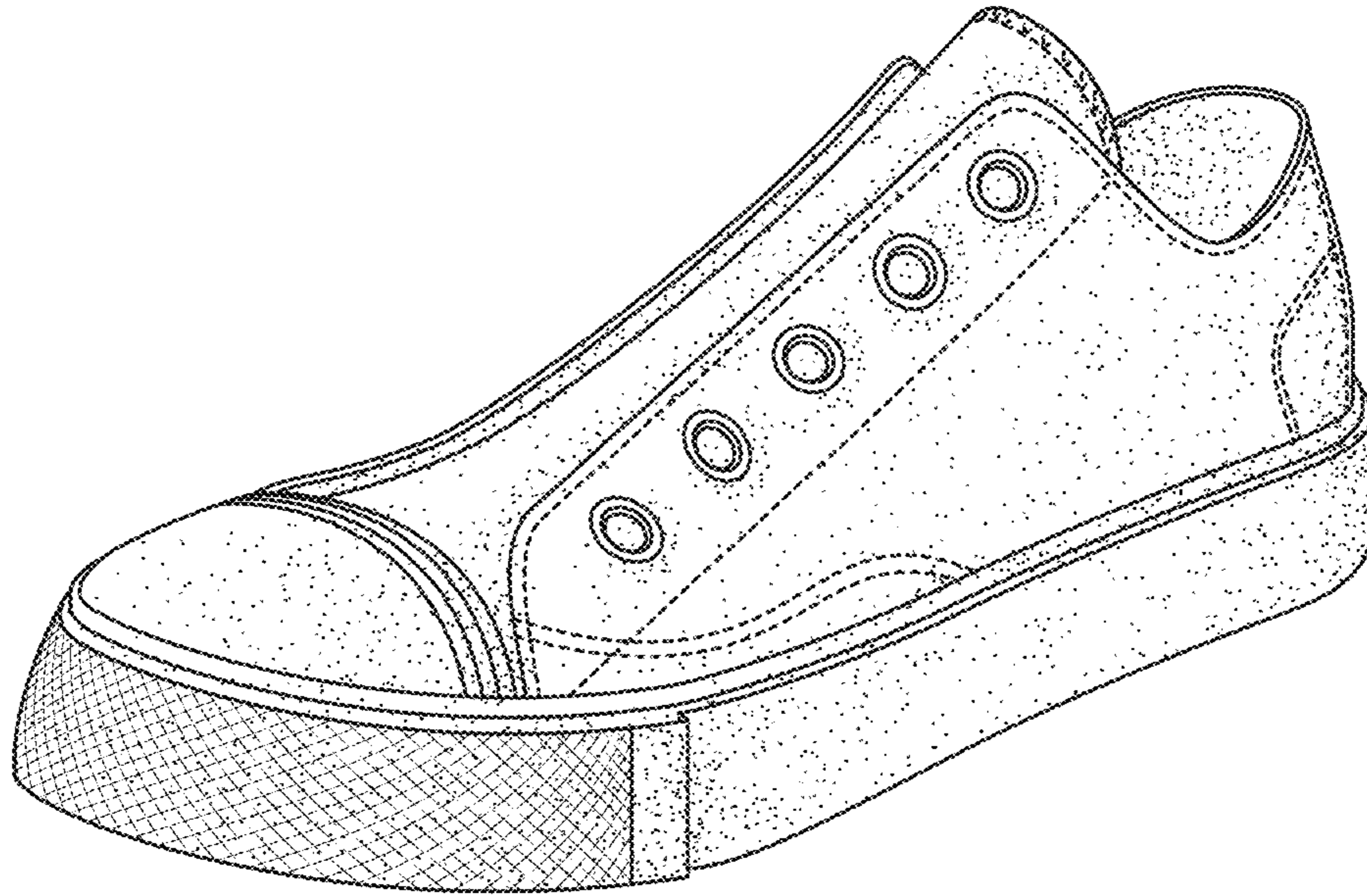


FIG. 7

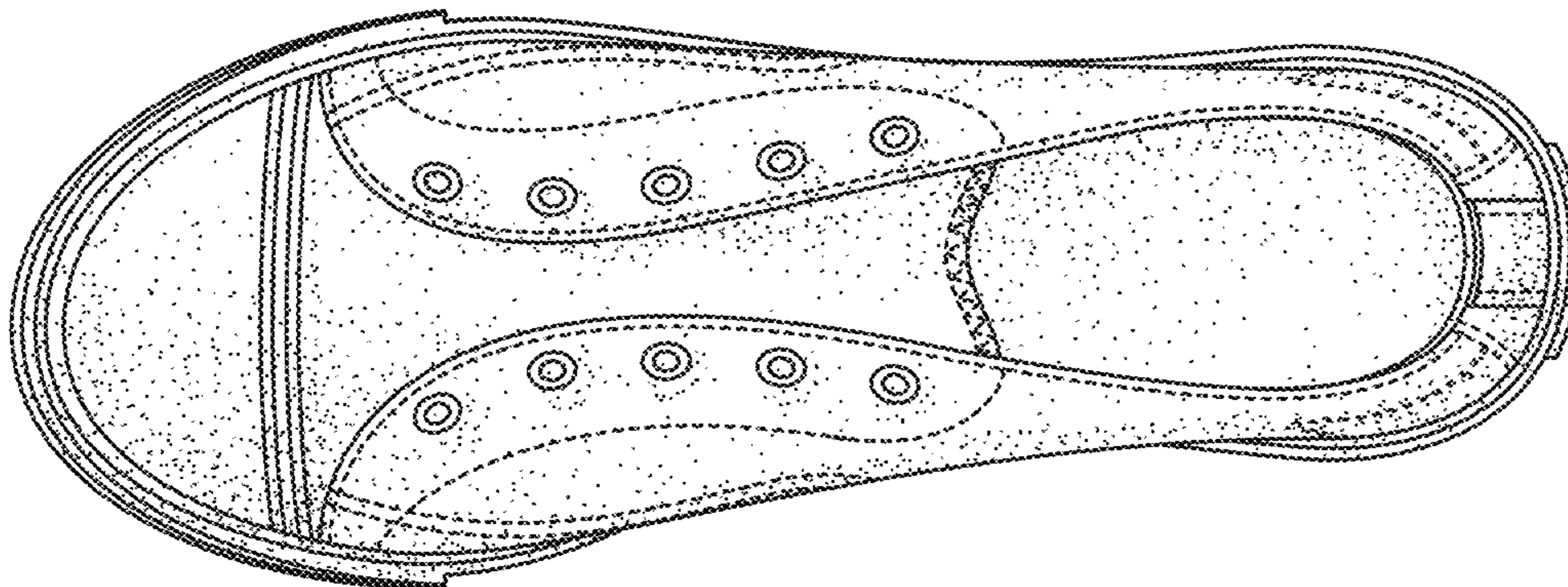


FIG. 8

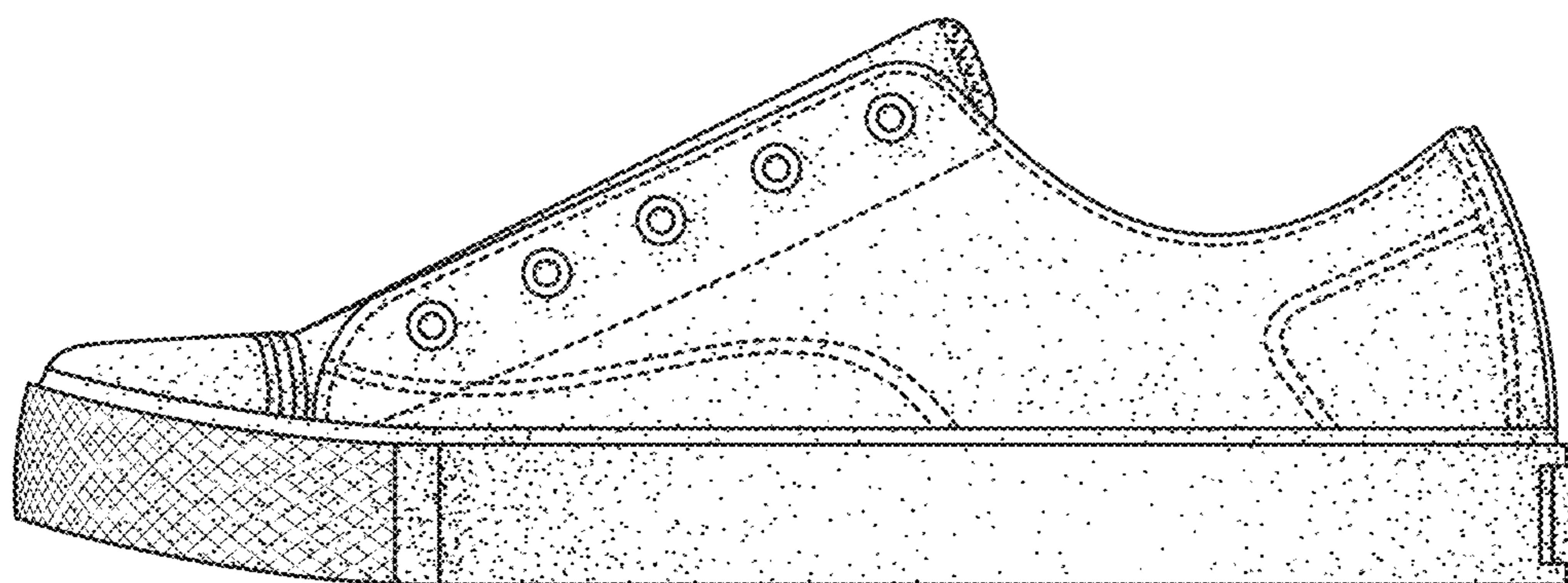


FIG. 9

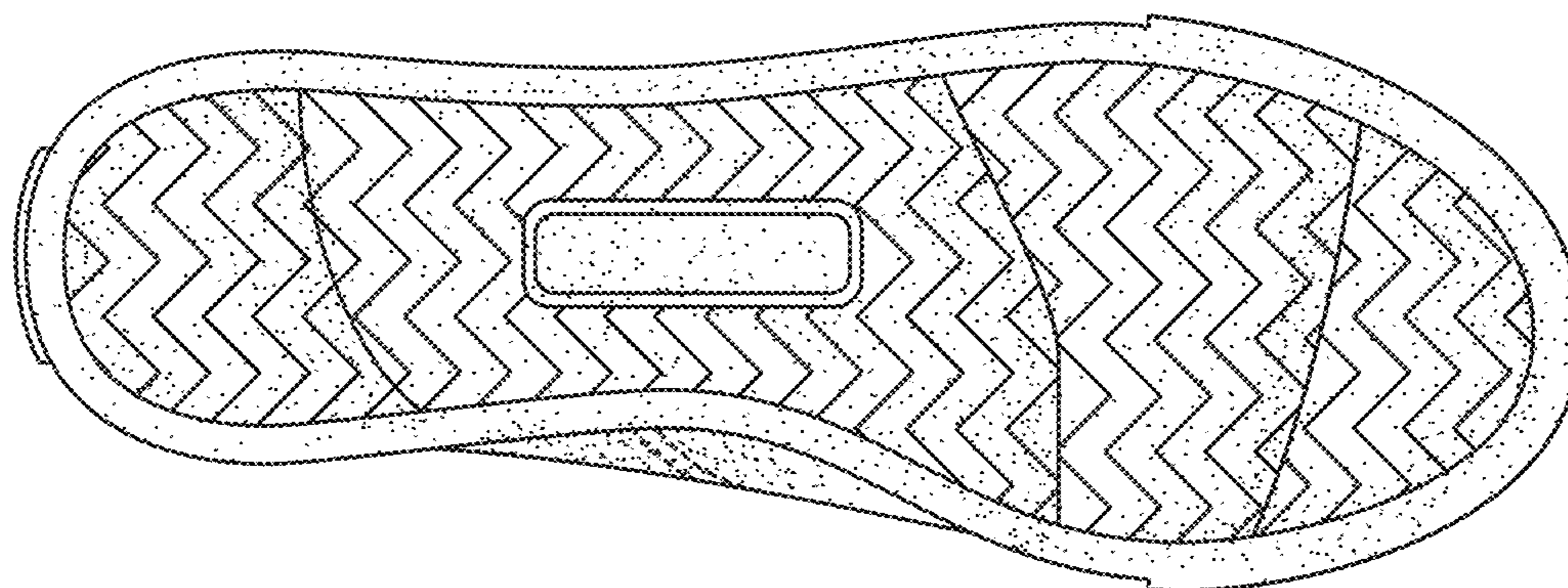


FIG. 10

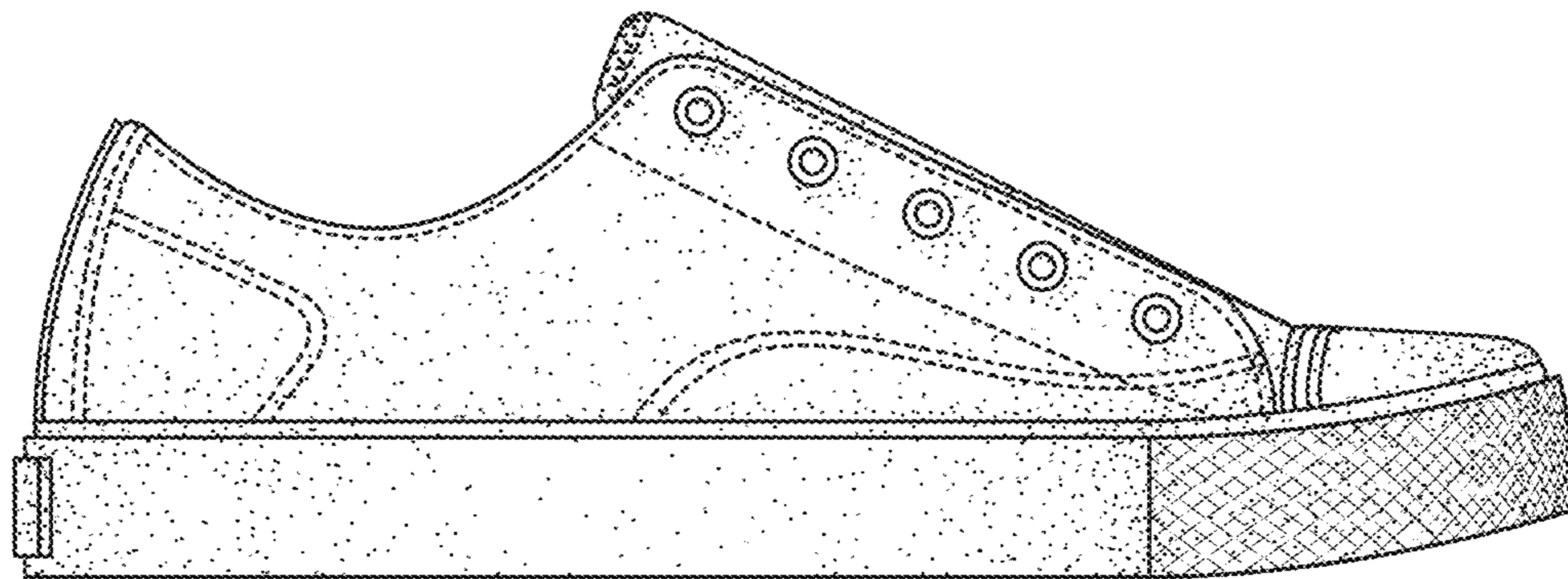


FIG. 11

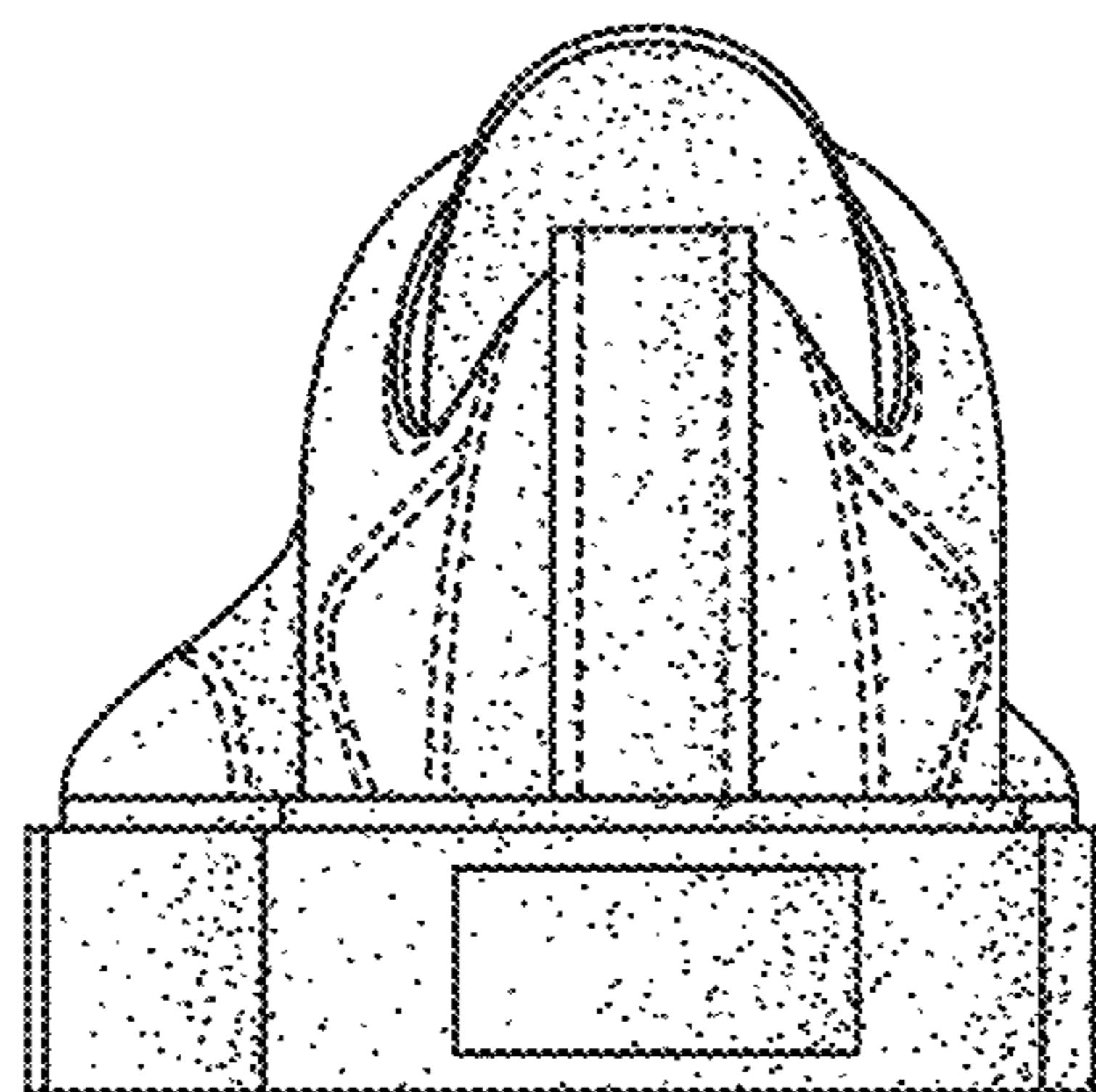


FIG. 12

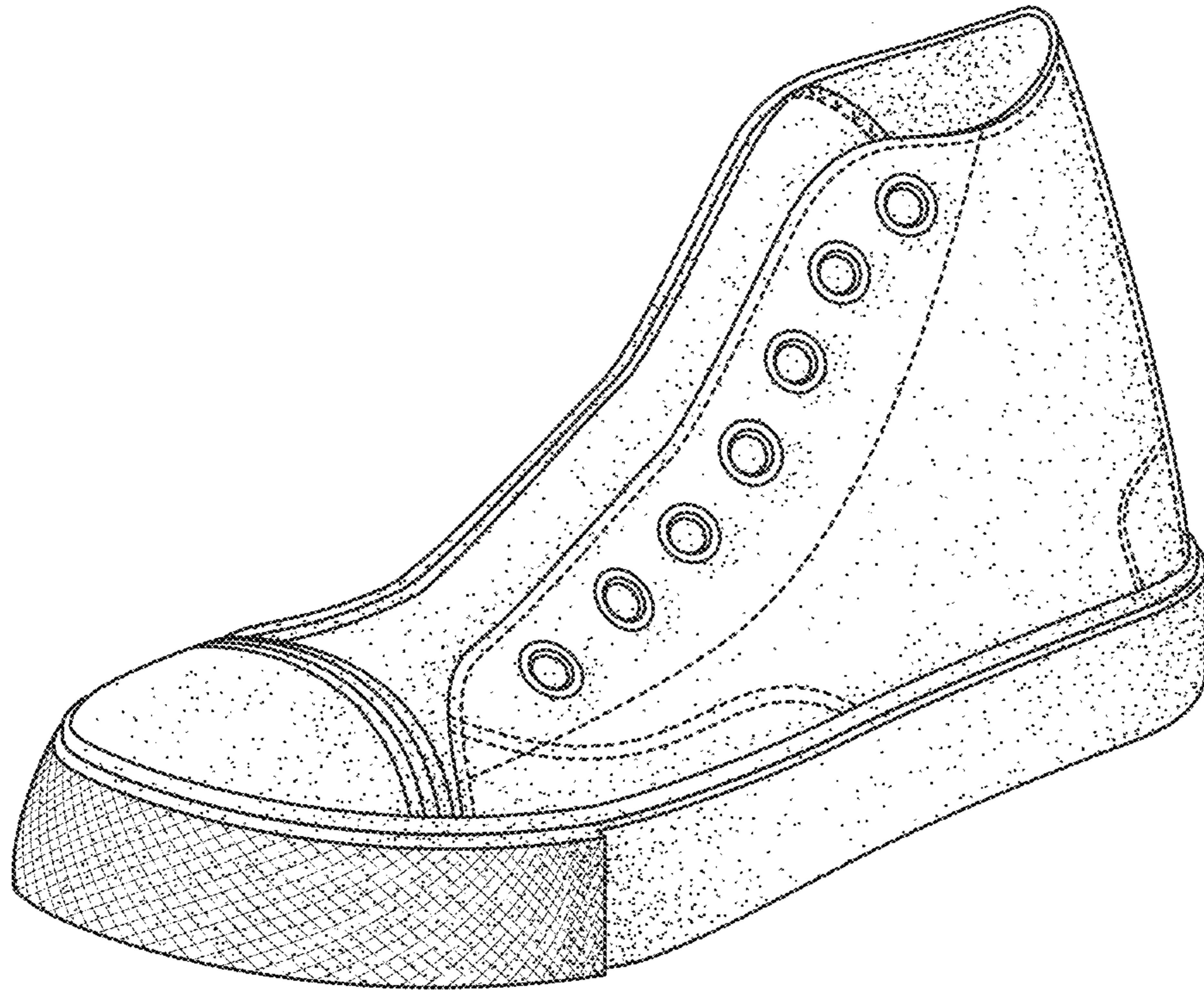


FIG. 13

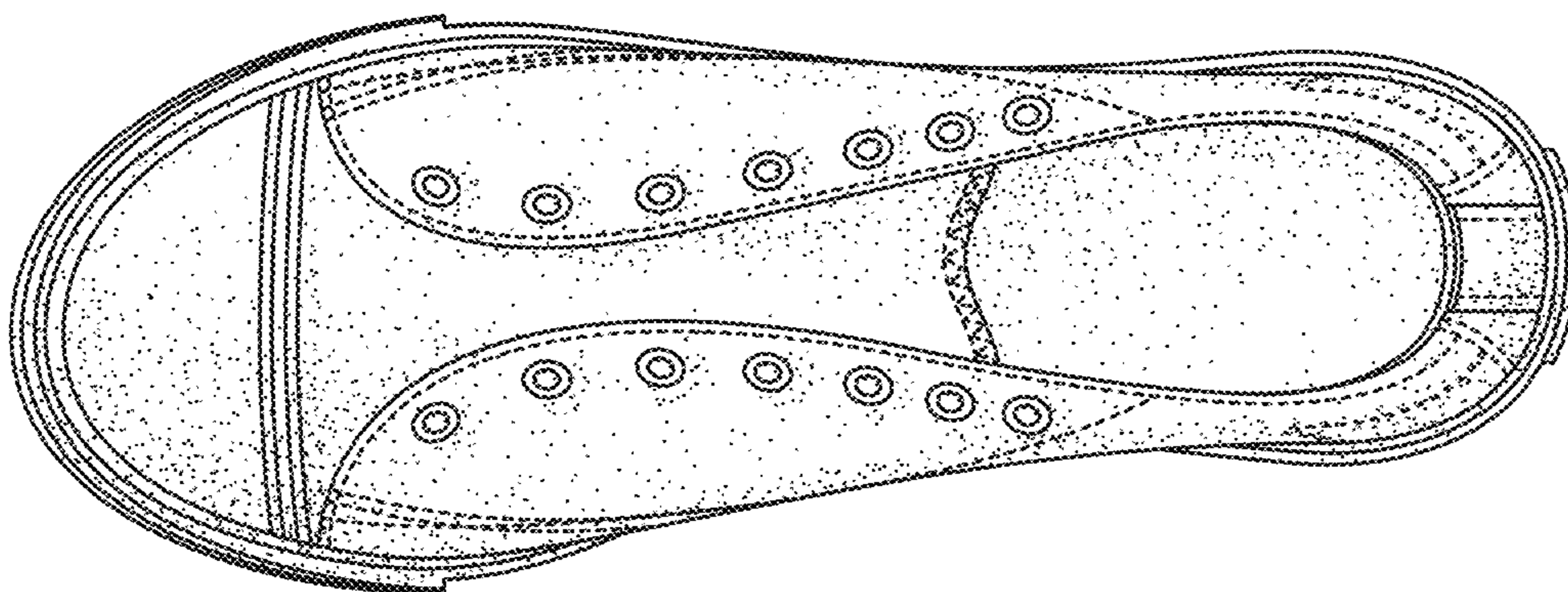


FIG. 14

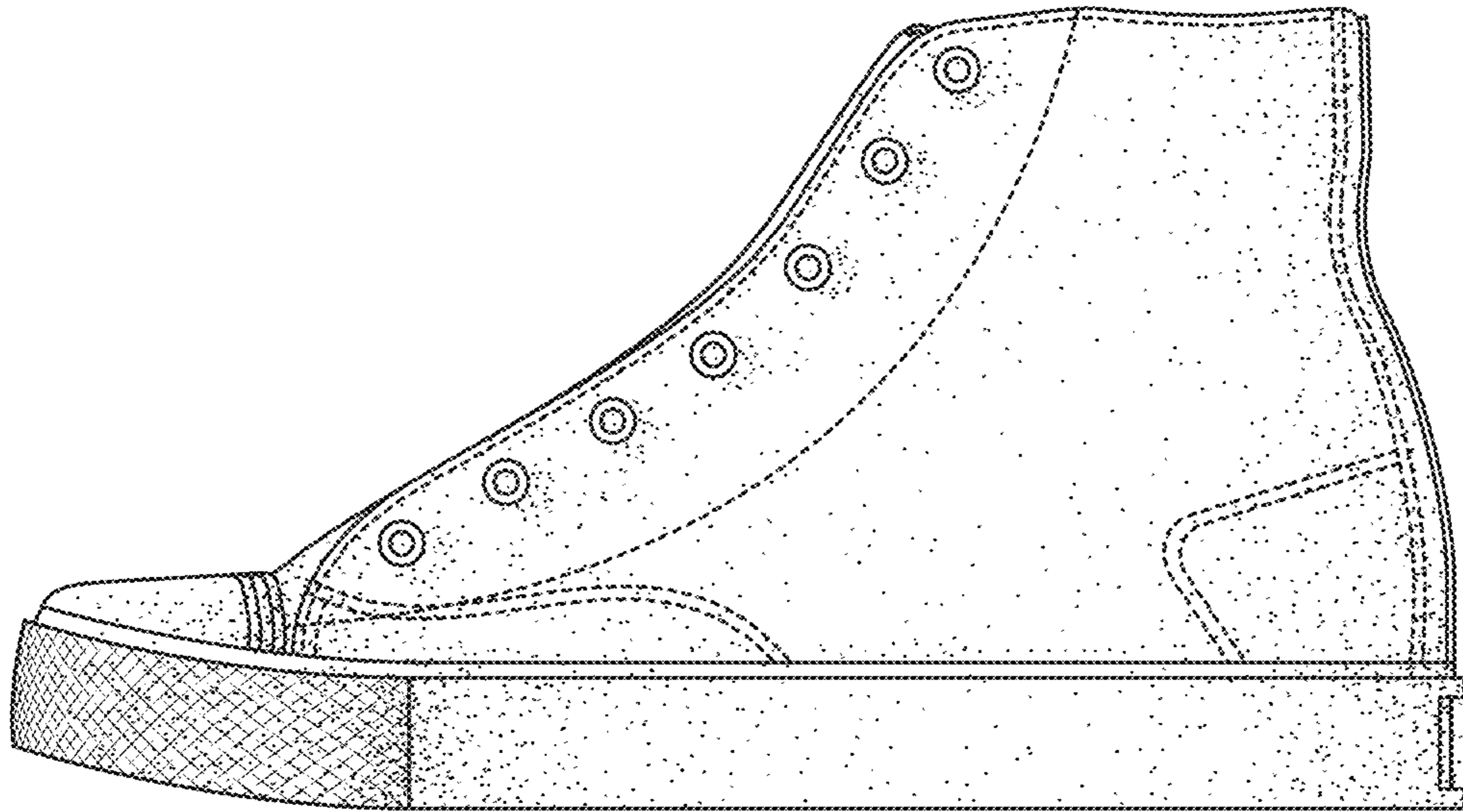


FIG. 15

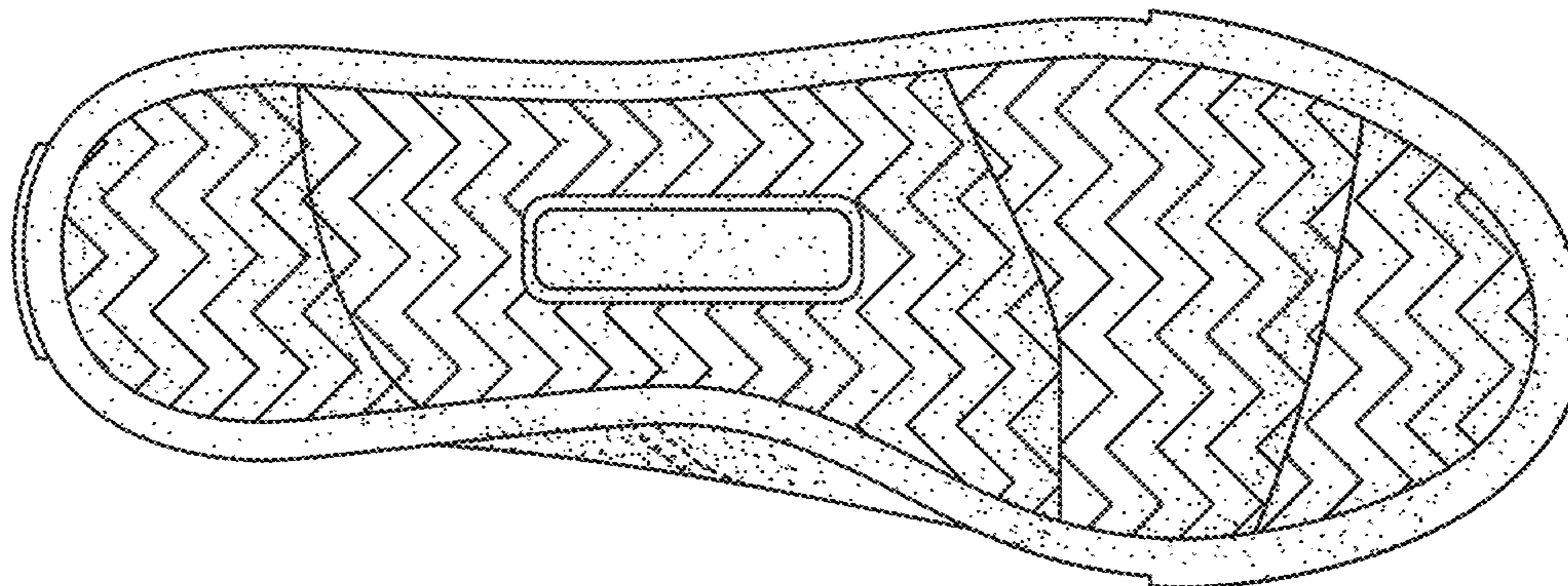


FIG. 16

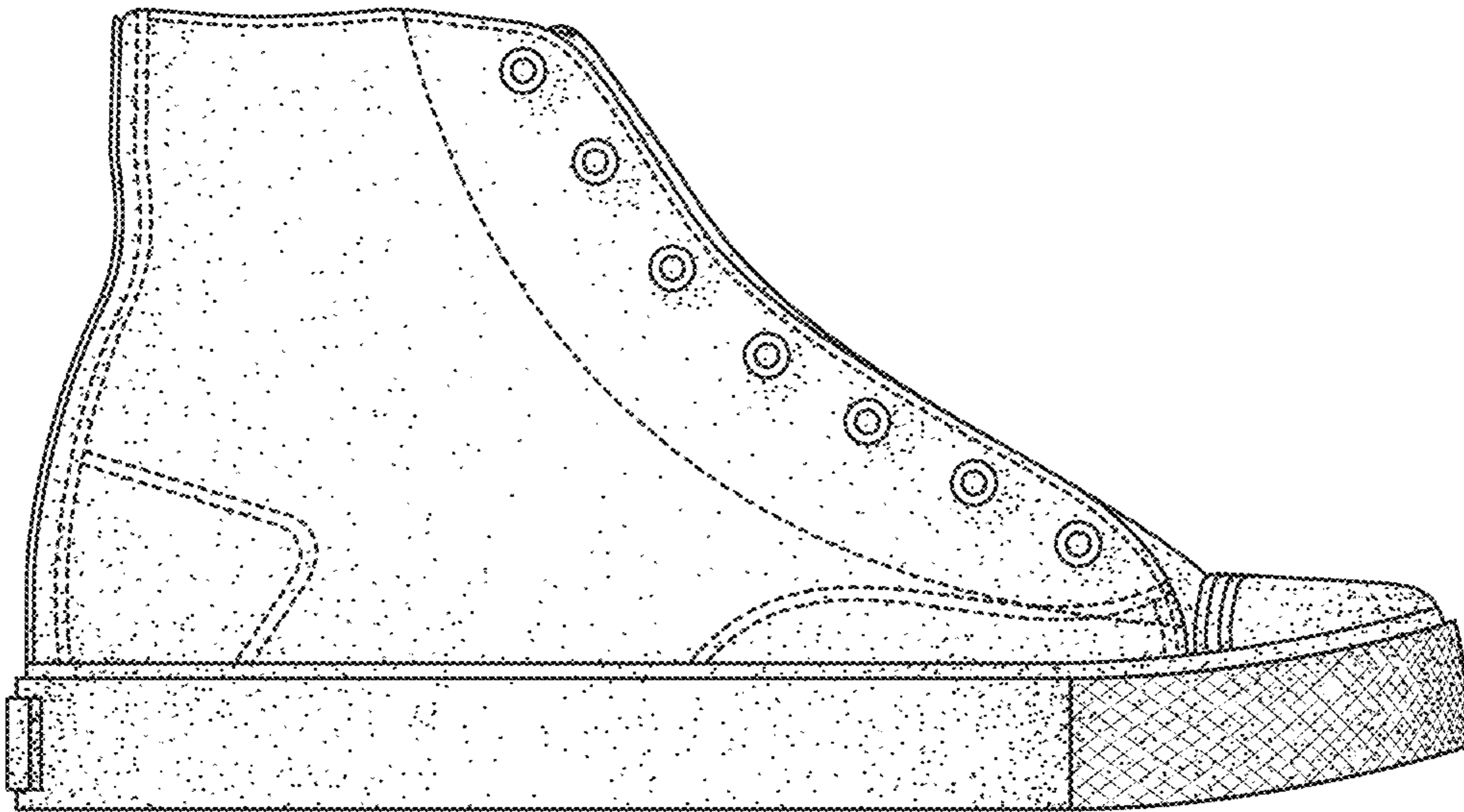


FIG. 17

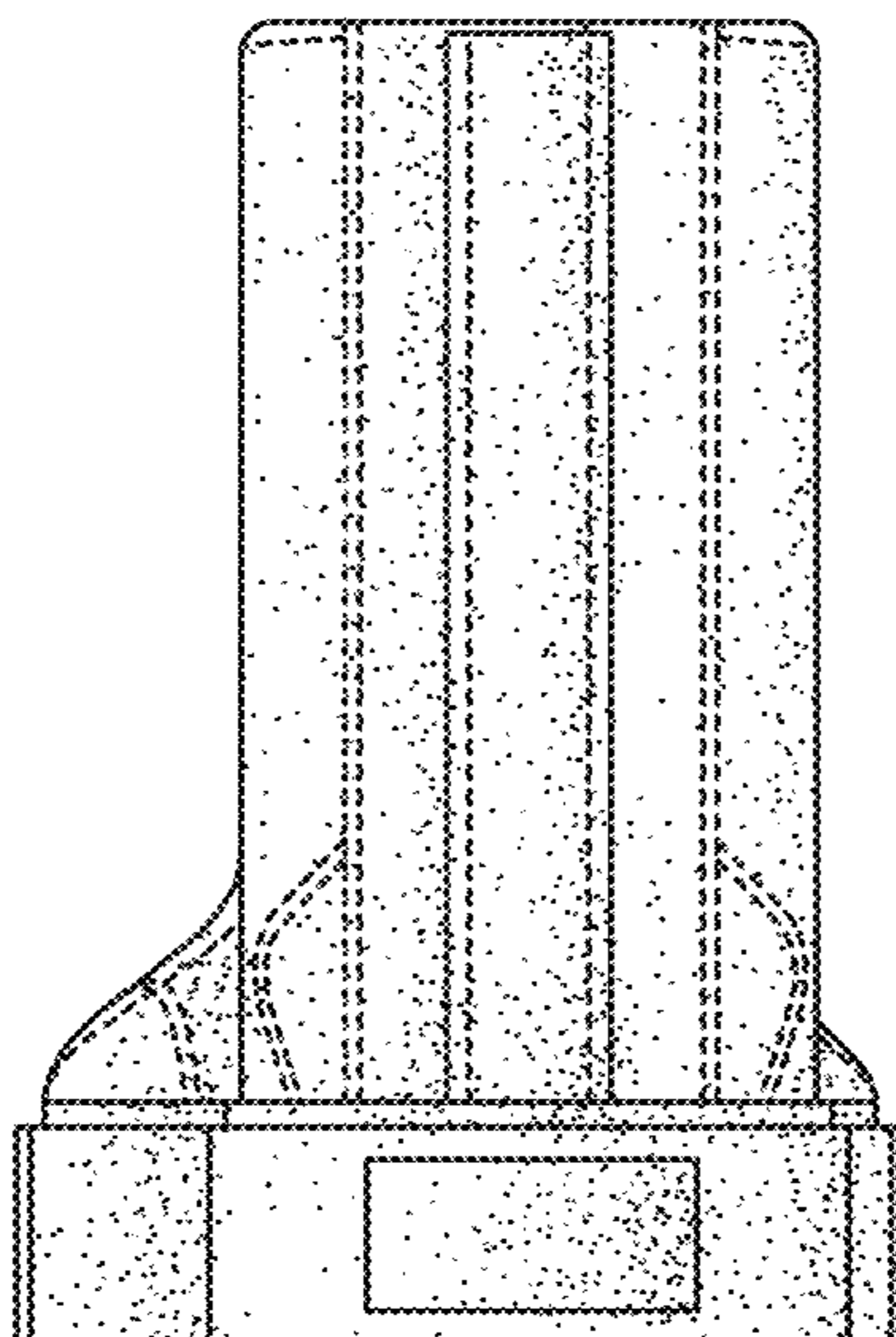


FIG. 18

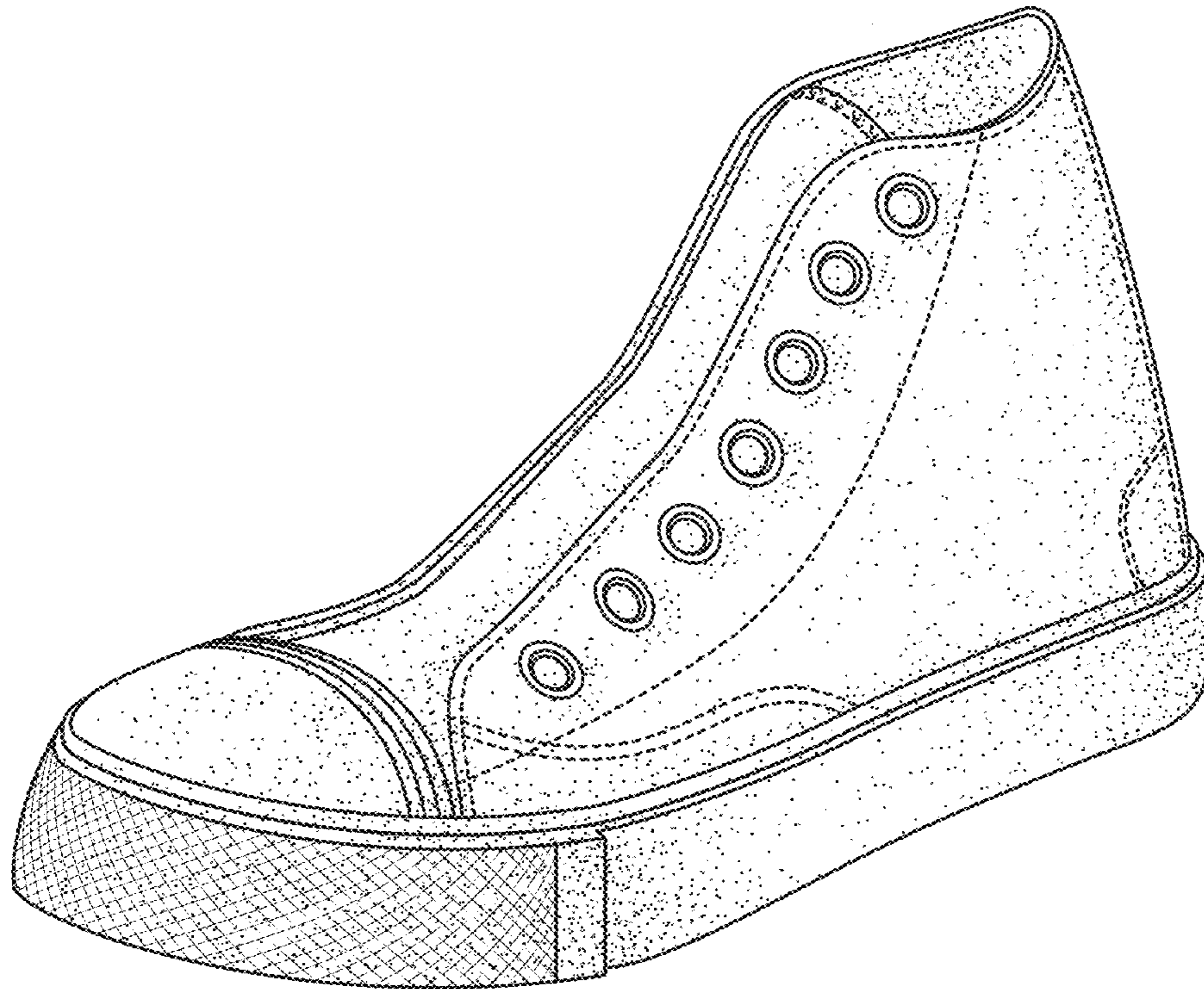


FIG. 19

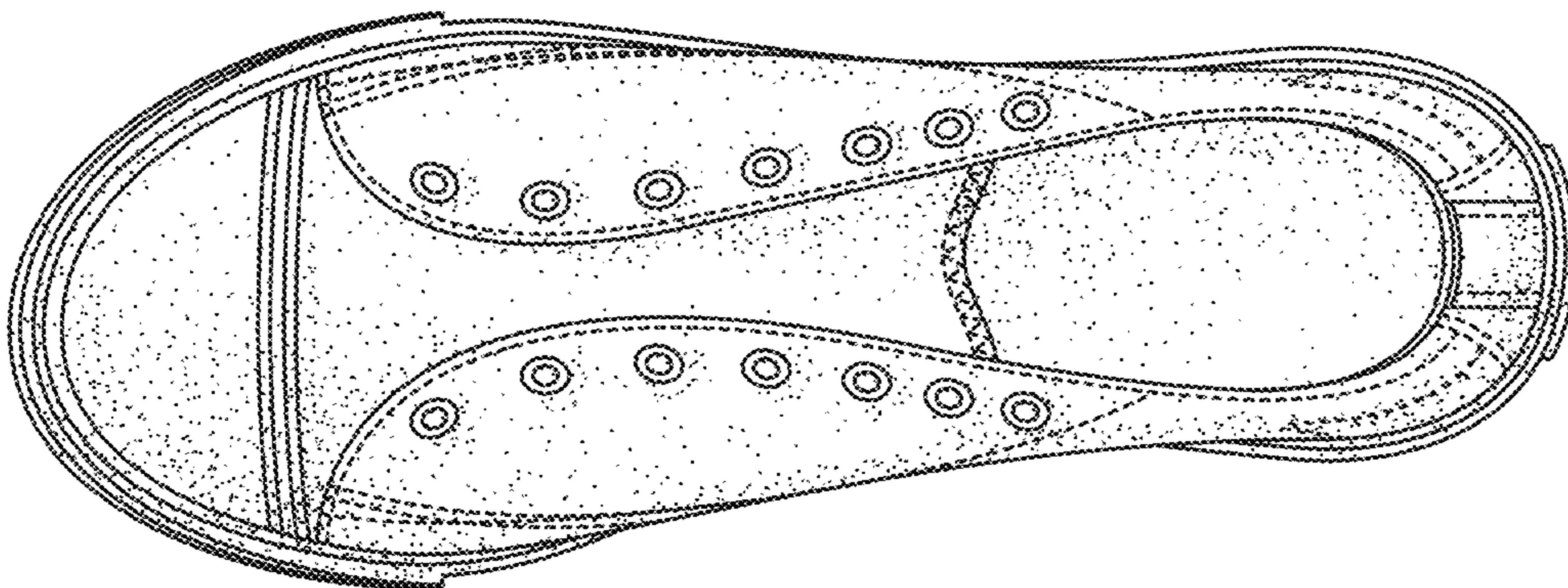


FIG. 20

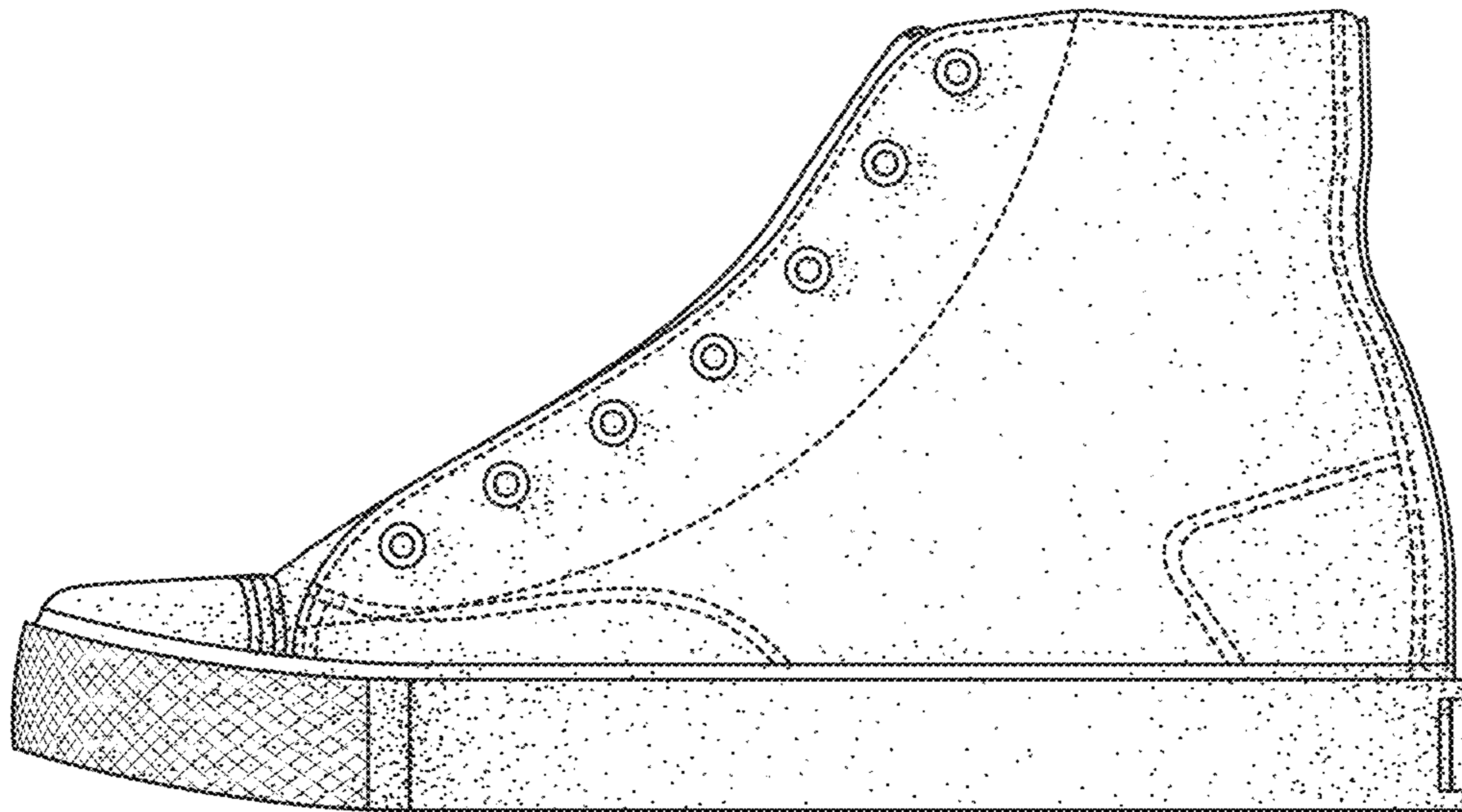


FIG. 21

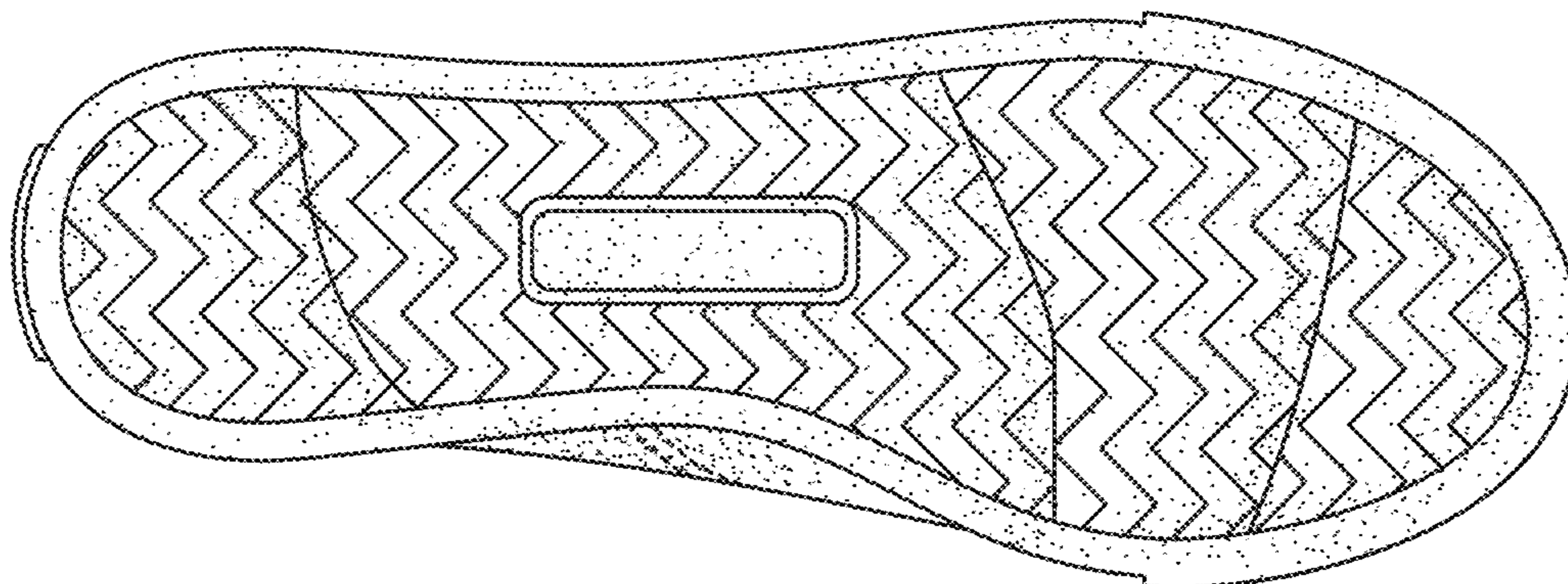


FIG. 22

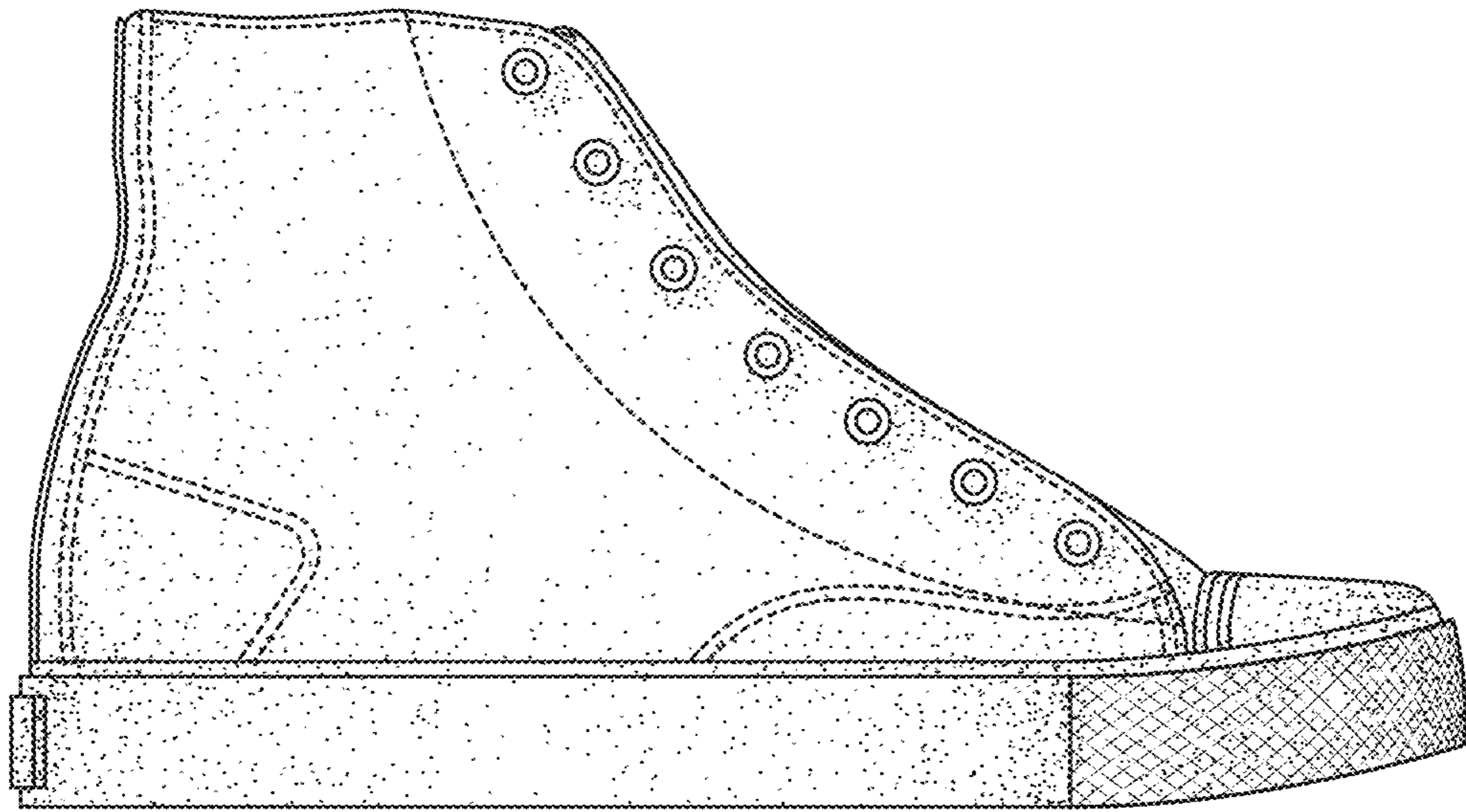


FIG. 23

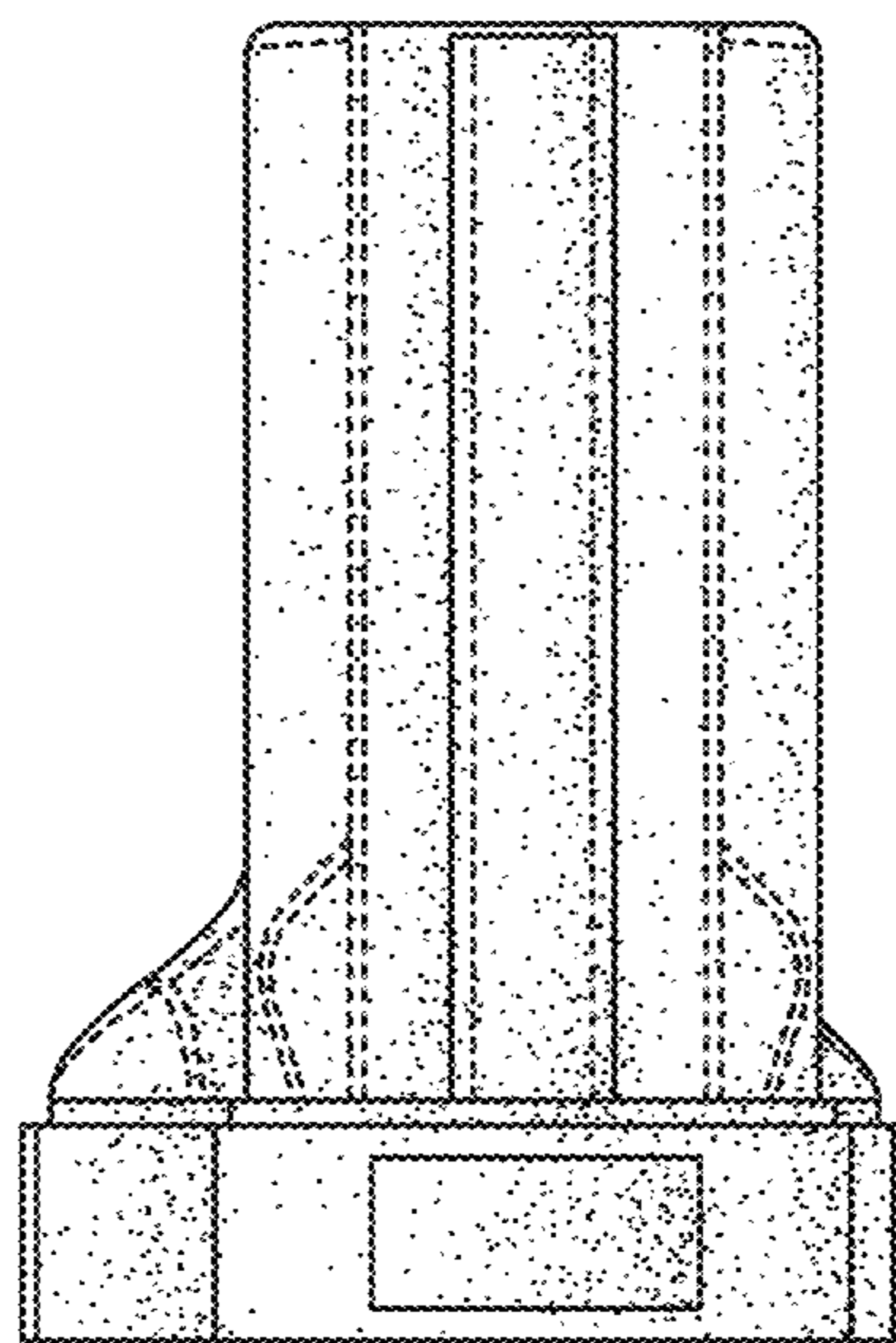


FIG. 24