



US00D785291S

(12) **United States Design Patent** (10) **Patent No.:** **US D785,291 S**
Nuzzo (45) **Date of Patent:** **** May 2, 2017**

(54) **MARTIAL ARTS UNIFORM**

- (71) Applicant: **Kanbun Corporation**, Newport, RI (US)
- (72) Inventor: **James F. Nuzzo**, Newport, RI (US)
- (73) Assignee: **Kanbun Corporation**, Newport, RI (US)
- (**) Term: **15 Years**
- (21) Appl. No.: **29/532,122**
- (22) Filed: **Jul. 1, 2015**
- (51) **LOC (10) Cl.** **02-02**
- (52) **U.S. Cl.**
USPC **D2/739**
- (58) **Field of Classification Search**
USPC D2/712-718, 720, 724-727, 739,
D2/741-744, 828, 838-840, 847, 848,
D2/853, 857
CPC . A41D 1/02; A41D 1/06; A41D 1/067; A41D
1/08; A41D 1/082; A41D 1/088; A41D
13/00; A41D 13/0002; A41D 13/0012;
A41D 13/0015
See application file for complete search history.

(56) **References Cited**

U.S. PATENT DOCUMENTS

D319,525 S *	9/1991	Clark	D2/743
5,426,787 A *	6/1995	Freeman	A41D 13/0015 2/121
6,353,932 B2 *	3/2002	Stembridge	A41D 13/0015 2/69
D457,290 S *	5/2002	Thompson	D2/743
D481,194 S *	10/2003	Berube	D2/737
D593,280 S *	6/2009	Netterville	D2/731
D601,781 S *	10/2009	Rhodes	D2/840
D612,127 S *	3/2010	Hall	D2/739

(Continued)

OTHER PUBLICATIONS

Karate Uniforms for Shihan, posted at karateuniformjapan.com, earliest date available Jun. 5, 2011, [online], acquired on Jun. 16, 2016. Available from Internet, <URL: http://www.karateuniformjapan.com/shihan.html>.*

(Continued)

Primary Examiner — Cathron Brooks

Assistant Examiner — Aula Soroush

(74) *Attorney, Agent, or Firm* — Mitchell Law PLLC; Matthew W. Mitchell

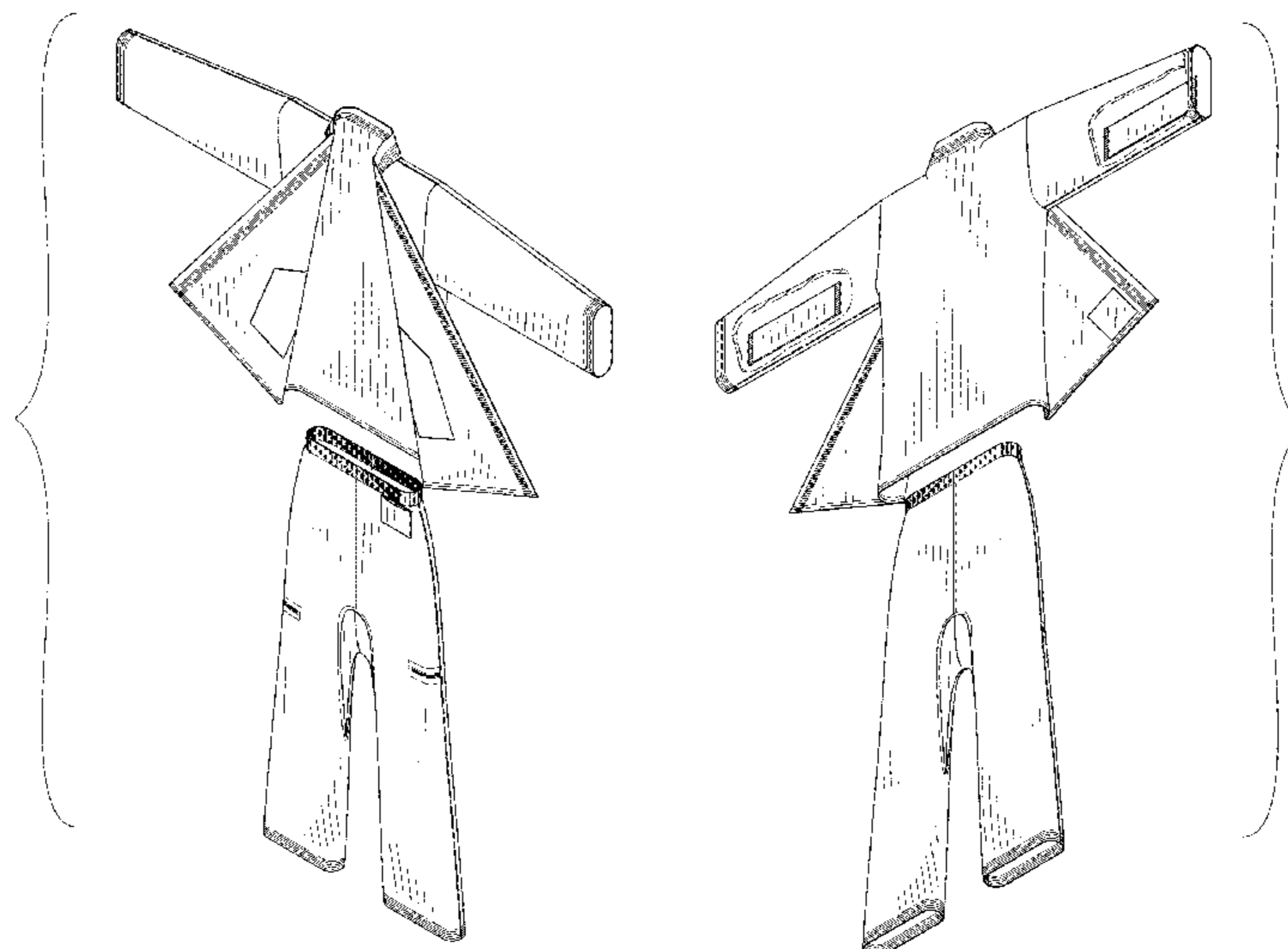
(57) **CLAIM**

The ornamental design for a martial arts uniform, as shown and described.

DESCRIPTION

FIG. 1 is a front perspective view of a martial arts uniform showing my new design, in an open configuration; FIG. 2 is a rear perspective view thereof, showing a portion of each sleeve removed for clarity of illustration; FIG. 3 is a front perspective view thereof, showing the martial arts uniform in a closed configuration; FIG. 4 is a front elevation view thereof; FIG. 5 is a back elevation view thereof; FIG. 6 is a left side elevation view thereof; FIG. 7 is a right side elevation view thereof; FIG. 8 is a top plan view thereof; and, FIG. 9 is a bottom plan view thereof. FIG. 2 has been shown with a portion of each sleeve removed to clearly depict the interior pockets of the design. The broken lines in FIG. 2 represents an illustrative removal of a portion of a sleeve, in order to reveal the appearance of interior design features. This is understood to mean that the sleeve is continuous as shown in the corresponding views. All other broken lines in the drawings illustrate portions of the martial arts uniform that form no part of the claim design.

1 Claim, 7 Drawing Sheets



(56)

References Cited

U.S. PATENT DOCUMENTS

D627,137 S * 11/2010 Keavey D2/743
D663,103 S * 7/2012 Mims D2/739
D709,268 S * 7/2014 Kidman D2/840
D731,750 S * 6/2015 Radford D2/739
D734,917 S * 7/2015 Santana D2/739
9,259,040 B2 * 2/2016 Ryu A41D 13/0015

OTHER PUBLICATIONS

Adidas Fighter TKD Uniform, posted at kungfu4less.com, earliest date available Oct. 31, 2007, [online], acquired on Jun. 16, 2016. Available from Internet, <URL:<http://www.kungfu4less.com/afb.html>>.*

Lightweight Karate Uniform with Pockets, posted at karatemart.com, earliest date available Oct. 31, 2007, [online], acquired on Jun. 20, 2016. Available from Internet, <URL:<https://www.karatemart.com/lightweight-karate-uniform>>.*

* cited by examiner

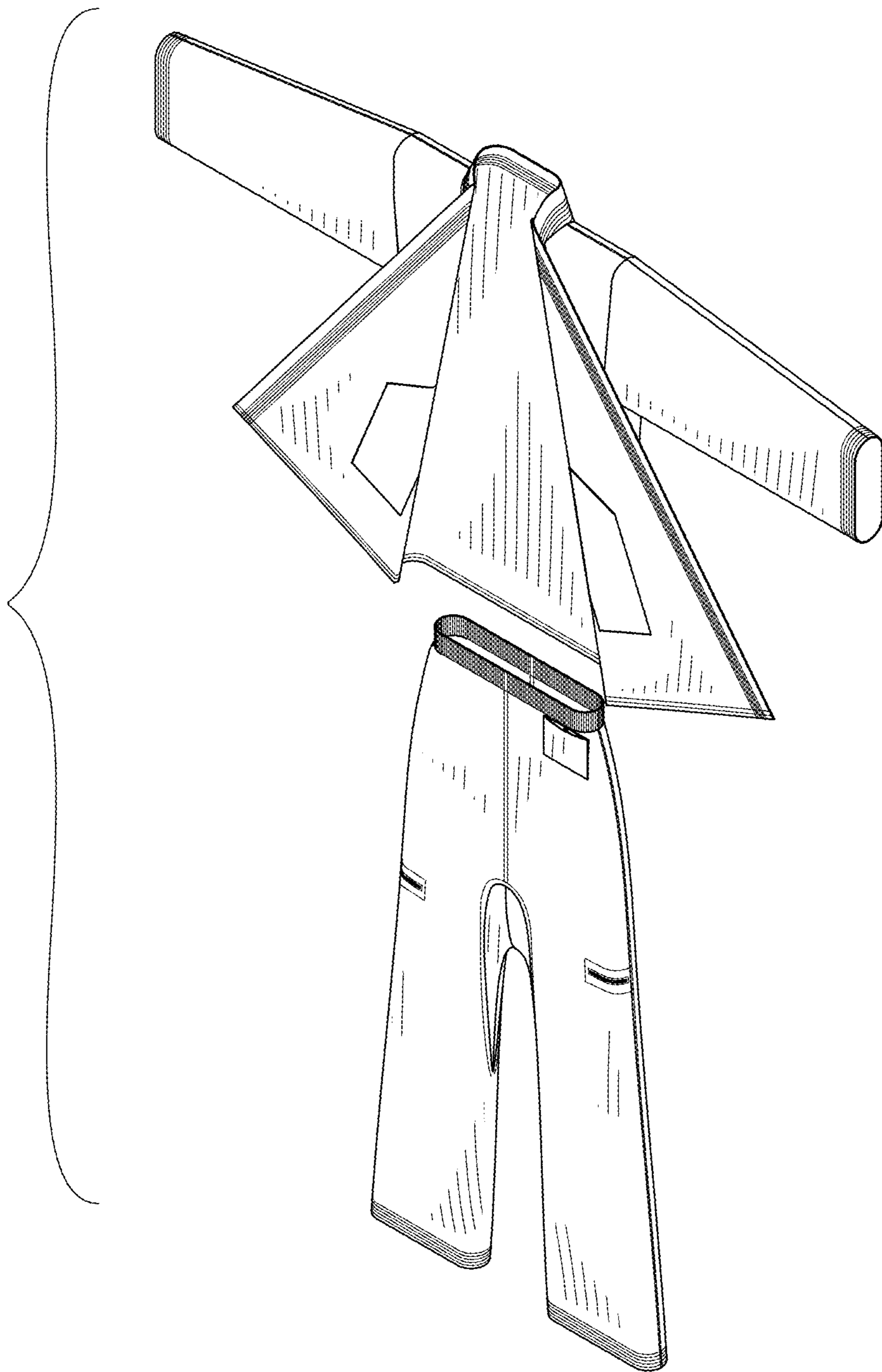


FIG. 1

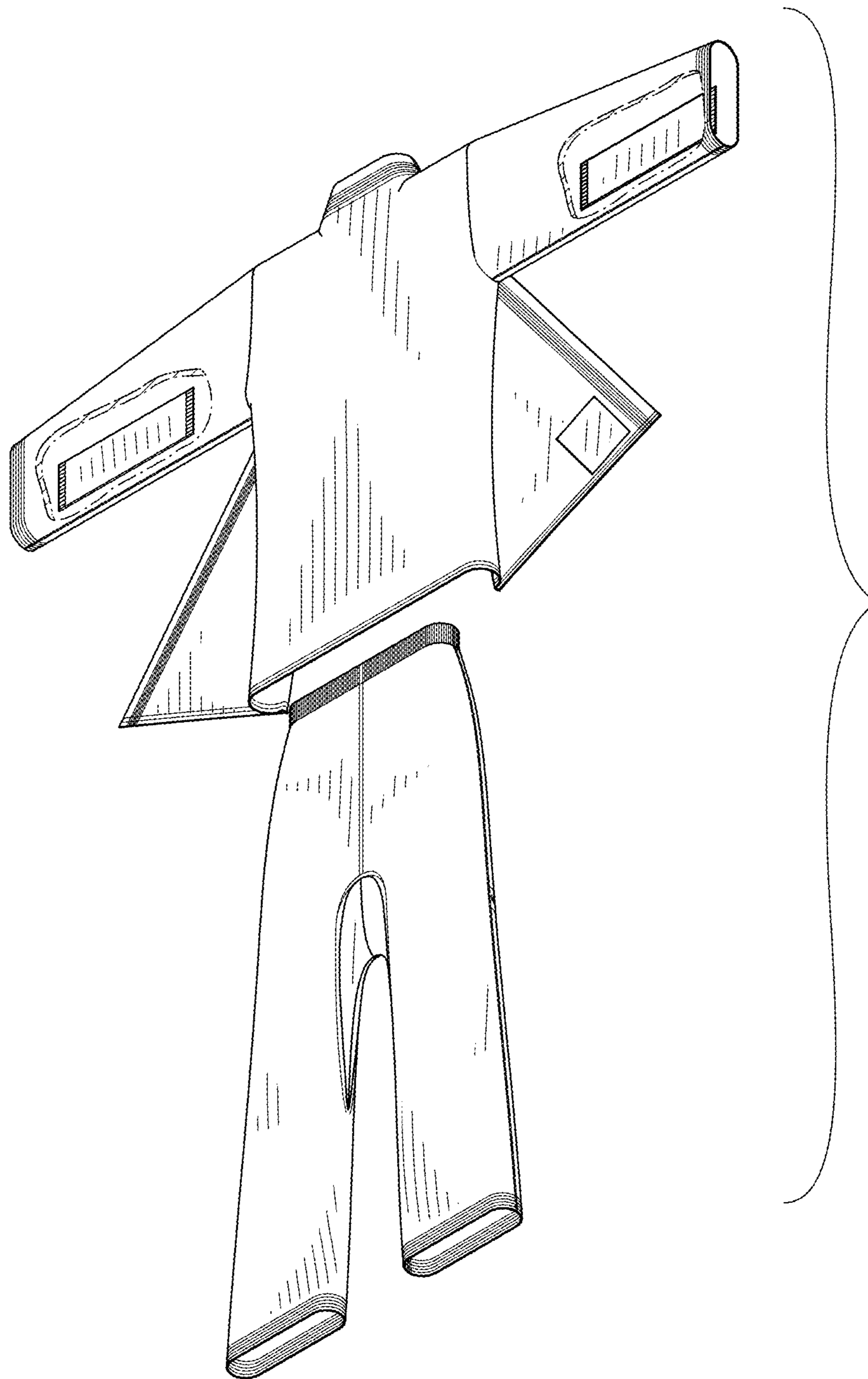


FIG. 2



FIG. 3

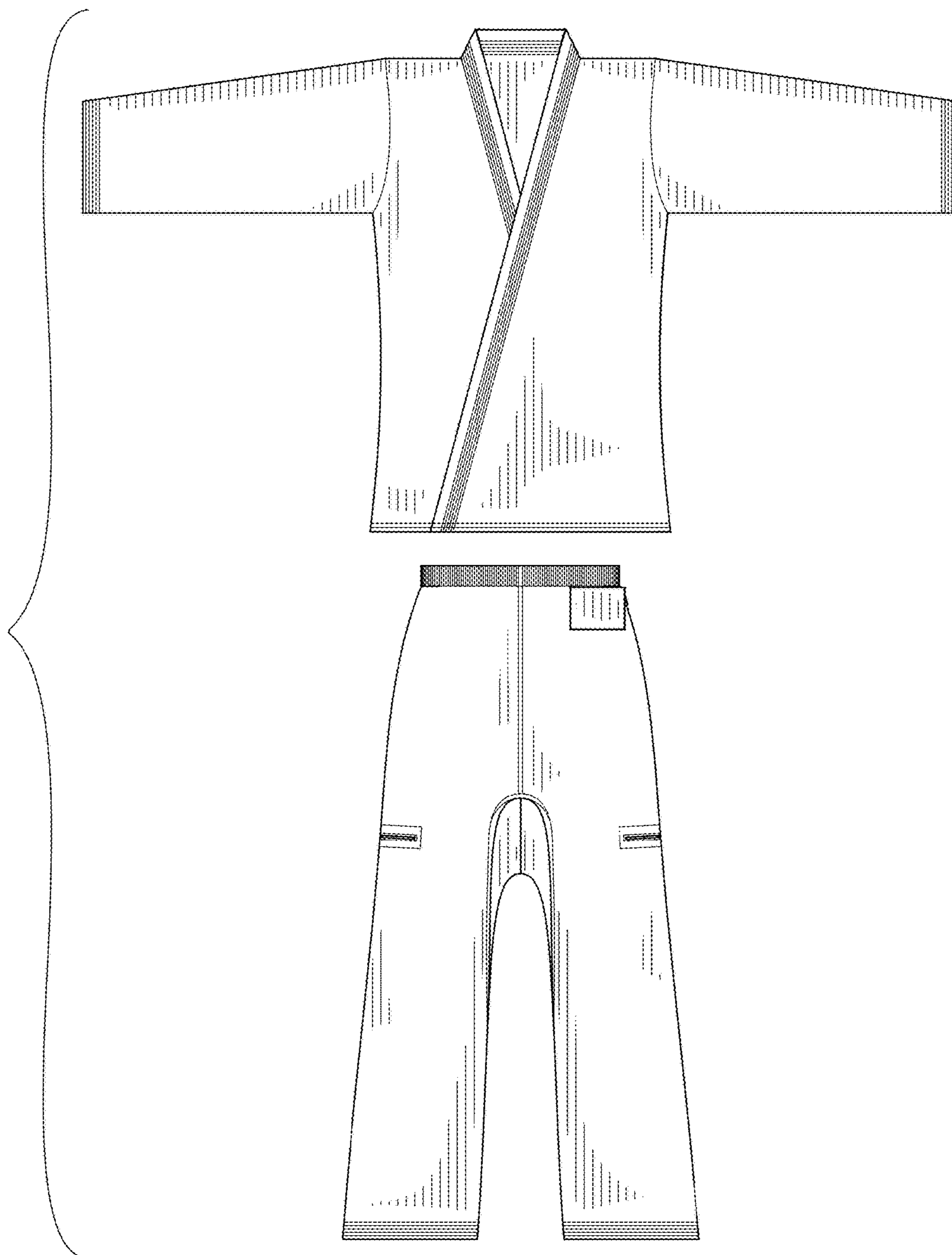


FIG. 4

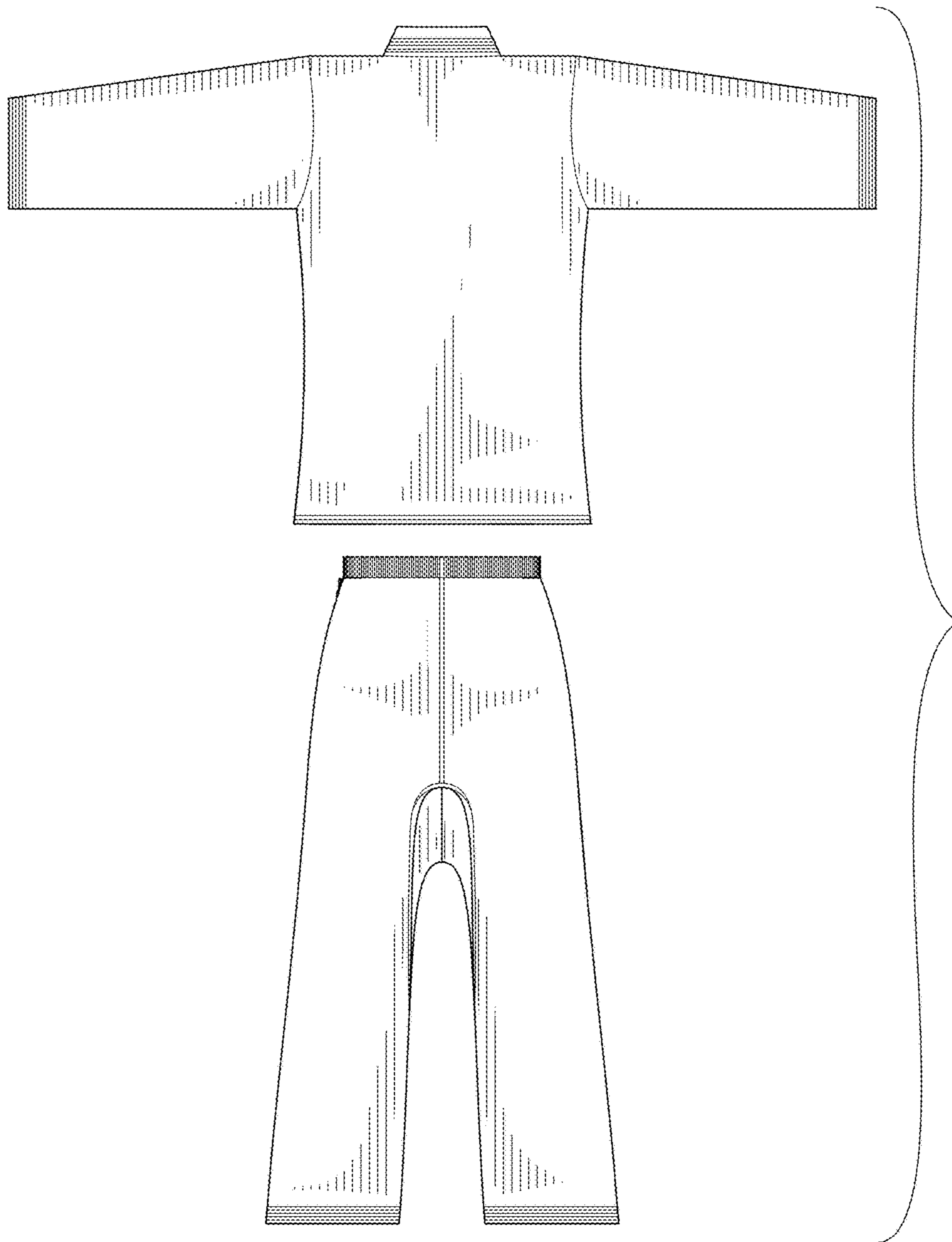


FIG. 5

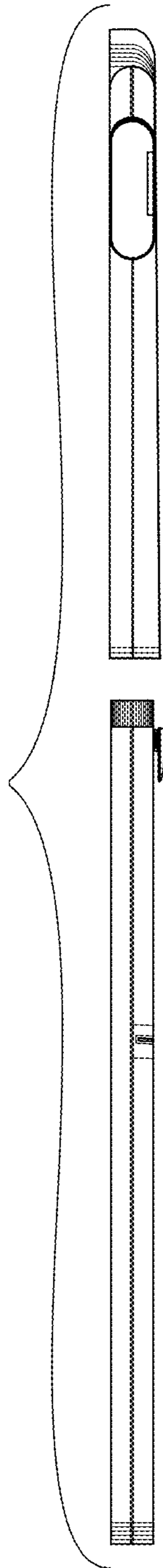


FIG. 6

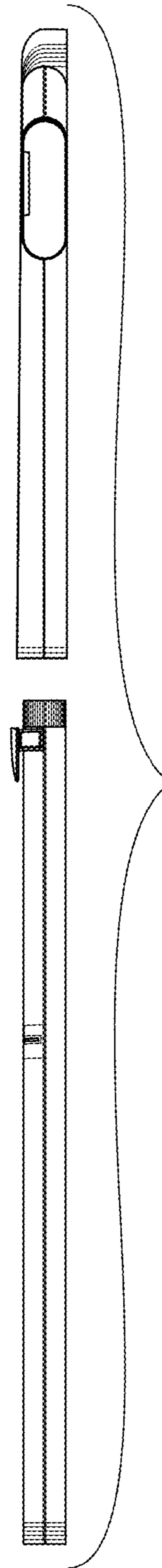


FIG. 7

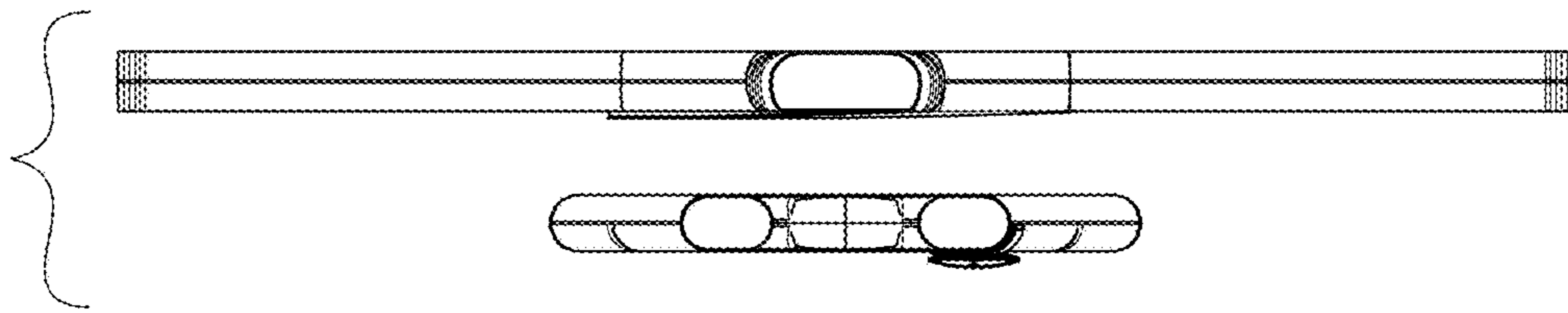


FIG. 8

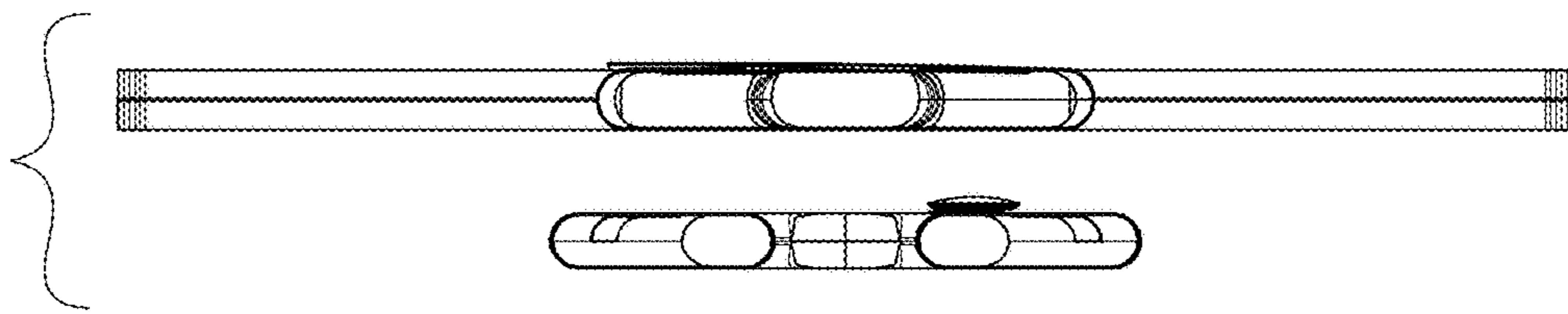


FIG. 9