



US00D785290S

(12) **United States Design Patent** (10) **Patent No.:** **US D785,290 S**
Brandon (45) **Date of Patent:** **** May 2, 2017**

(54) **UNDERGAMENT REQUIRING ASSISTANCE TO REMOVE**

(71) Applicant: **Luz Brandon**, Riverview, FL (US)

(72) Inventor: **Luz Brandon**, Riverview, FL (US)

(**) Term: **15 Years**

(21) Appl. No.: **29/545,508**

(22) Filed: **Nov. 13, 2015**

(51) **LOC (10) Cl.** **02-02**

(52) **U.S. Cl.**
USPC **D2/732**

(58) **Field of Classification Search**
USPC D2/700, 702-706, 717, 721, 728-732, D2/735-737, 785; 2/67, 2.15-2.17, 69, 2/78.4, 403, 404; 450/1, 28, 85
CPC A41B 1/00; A41D 7/00; B63C 11/04
See application file for complete search history.

(56) **References Cited**

U.S. PATENT DOCUMENTS

4,383,335	A	5/1983	Slocum	
4,853,977	A	8/1989	Foreman	
D359,837	S	7/1995	Brannon	
D409,819	S *	5/1999	Gilchrist	D2/728
5,898,934	A *	5/1999	Hunter	A41D 13/012 2/2.15
D456,110	S *	4/2002	Fairhurst	A41D 7/00 D2/731
D461,033	S *	8/2002	Fairhurst	A41D 7/00 D2/732
D510,175	S *	10/2005	Ragot	D2/731
7,188,371	B2 *	3/2007	Ragot	A41D 13/012 2/2.15
7,594,279	B2	9/2009	Roy	
D602,677	S *	10/2009	Cowan	D2/731
D621,130	S *	8/2010	Brown	D2/732
D641,956	S *	7/2011	Cornell	D2/714

8,032,944	B2 *	10/2011	Demetropoulos	B63C 11/04 2/2.15
8,161,573	B1	4/2012	Burns-Cox	
2006/0200890	A1 *	9/2006	Prat Gonzalez	A41D 7/00 2/69
2008/0083049	A1	4/2008	McLeod	
2008/0109926	A1 *	5/2008	Lieberman	A41D 13/012 2/2.16
2010/0017937	A1	1/2010	Birmingham	
2011/0265234	A1 *	11/2011	Tsang	A63B 31/14 2/2.15
2012/0324613	A1 *	12/2012	Tsang	A41D 13/012 2/2.15

* cited by examiner

Primary Examiner — Wan Laymon
Assistant Examiner — Clint A Samuel

(57) **CLAIM**

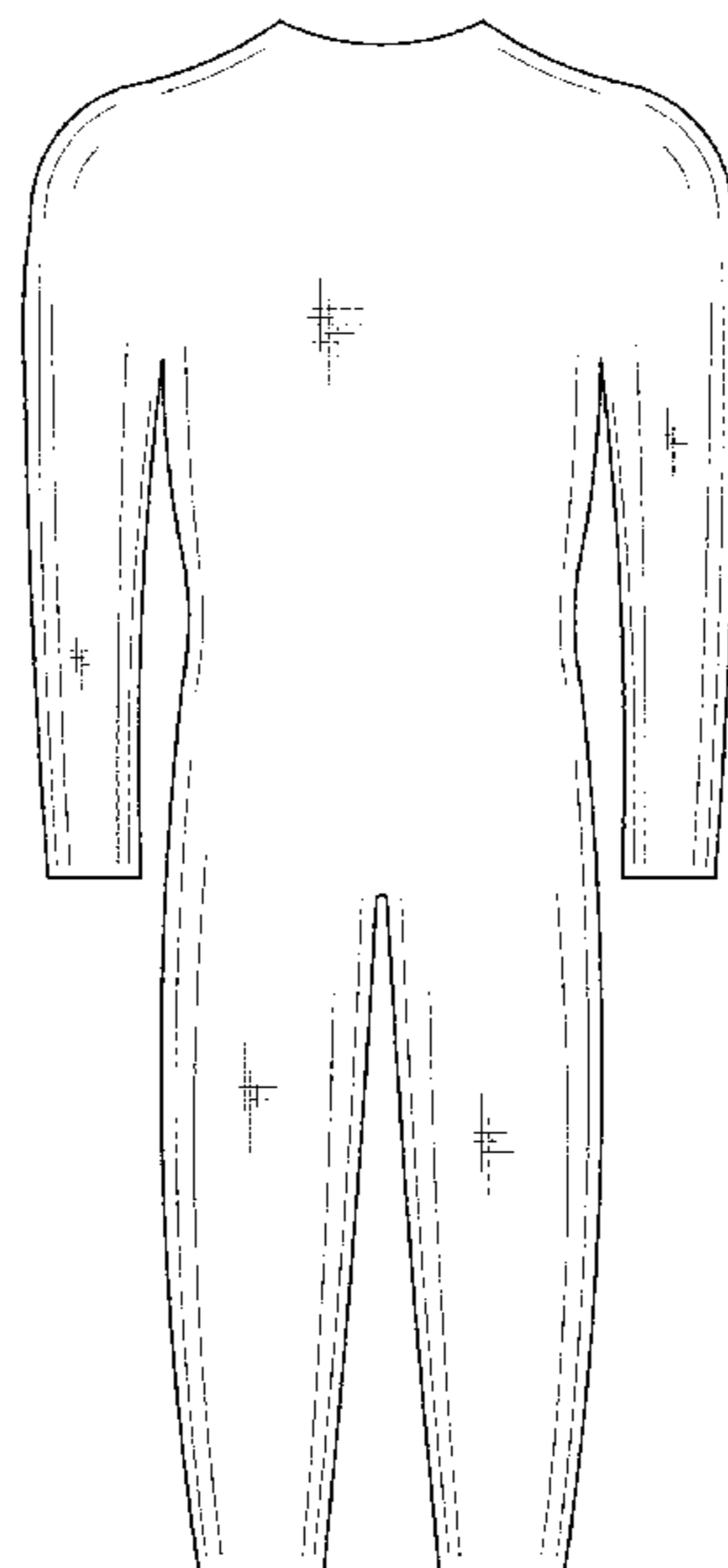
The ornamental design for an undergarment requiring assistance to remove, as shown and described.

DESCRIPTION

FIG. 1 is a front view of an undergarment requiring assistance to remove showing my new design; FIG. 2 is a rear view of the undergarment requiring assistance to remove; FIG. 3 is a left side view of the undergarment requiring assistance to remove; FIG. 4 is a right side view of the undergarment requiring assistance to remove; FIG. 5 is a top view of the undergarment requiring assistance to remove; and, FIG. 6 is a bottom view of the undergarment requiring assistance to remove.

The broken lines shown in drawings are included for the purpose of illustrating stitching of the undergarment requiring assistance to remove and environmental structure and form no part of the claimed design.

1 Claim, 4 Drawing Sheets



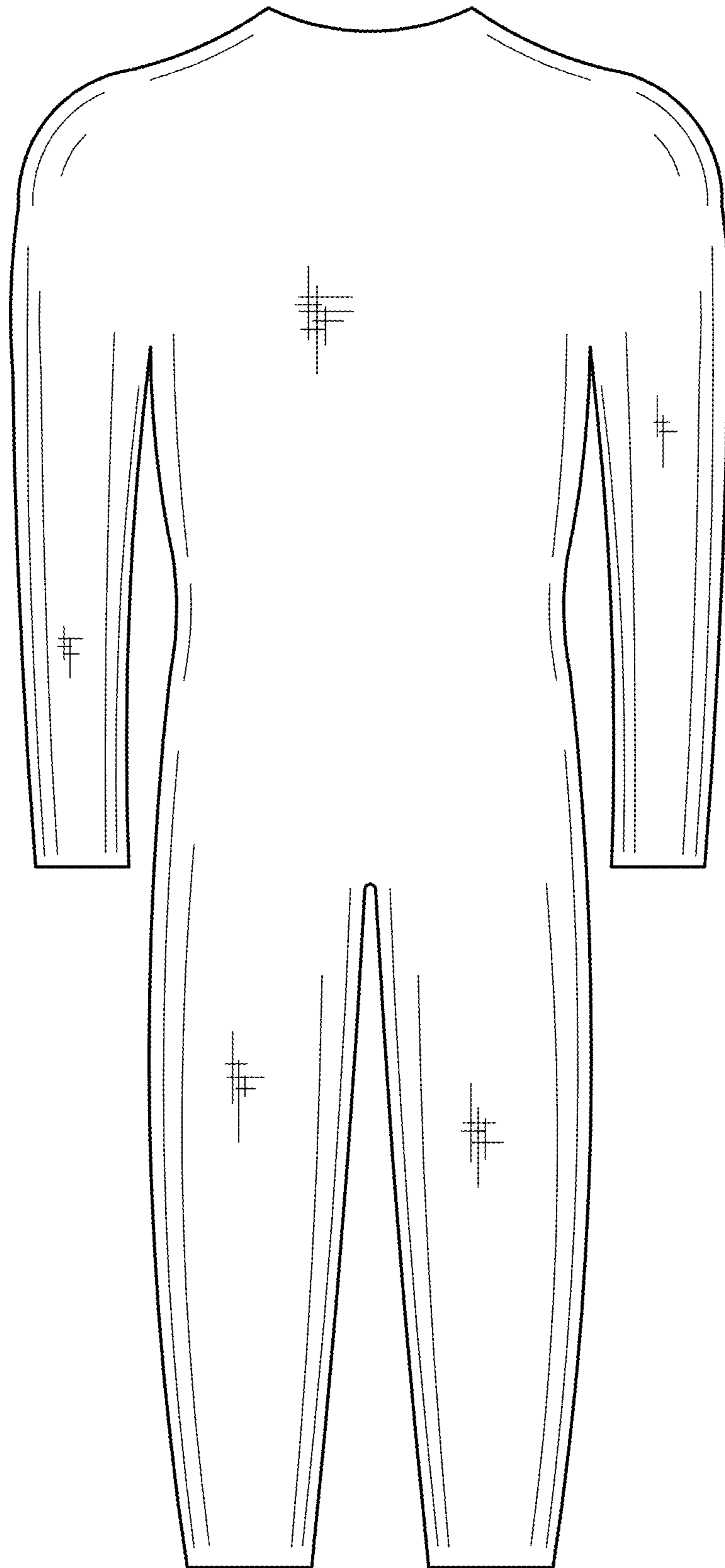


FIG. 1

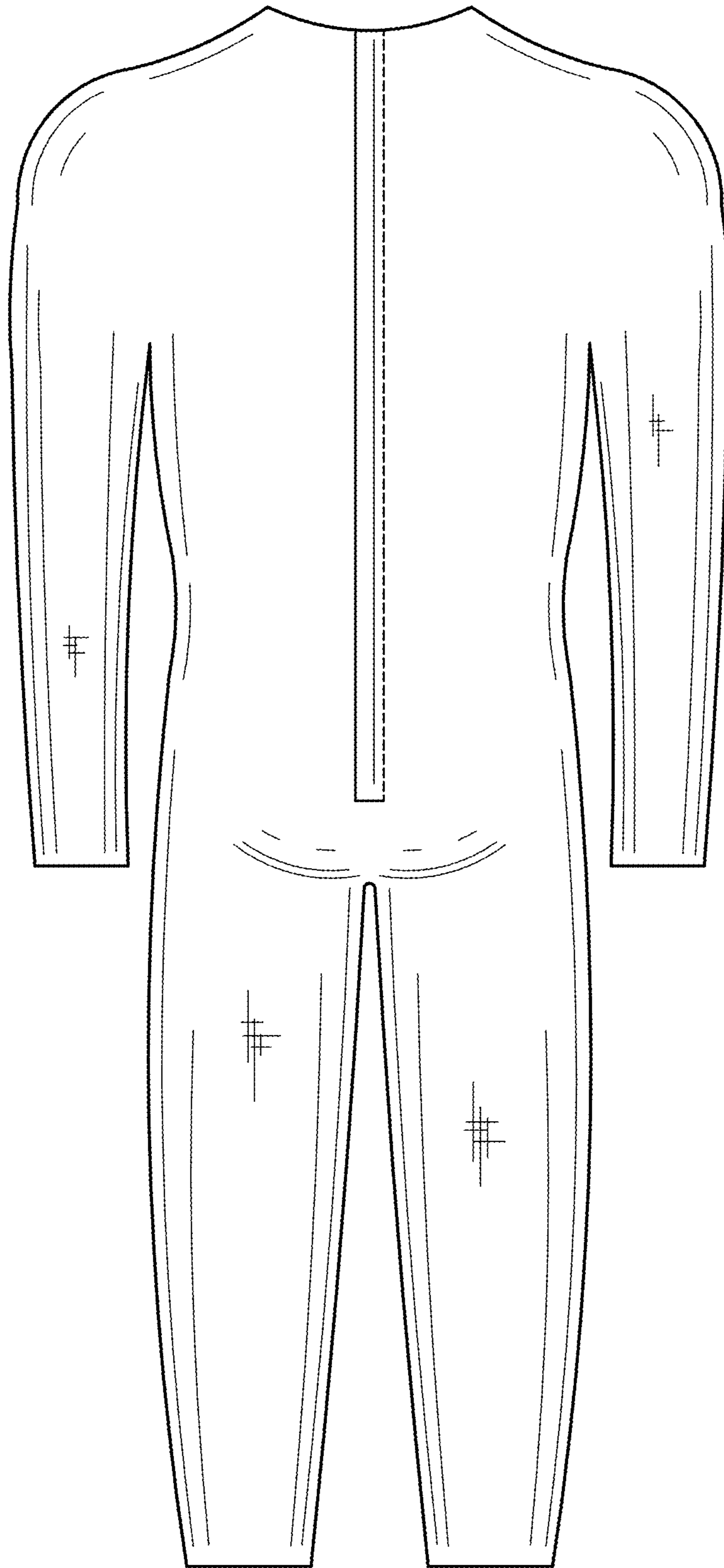


FIG. 2

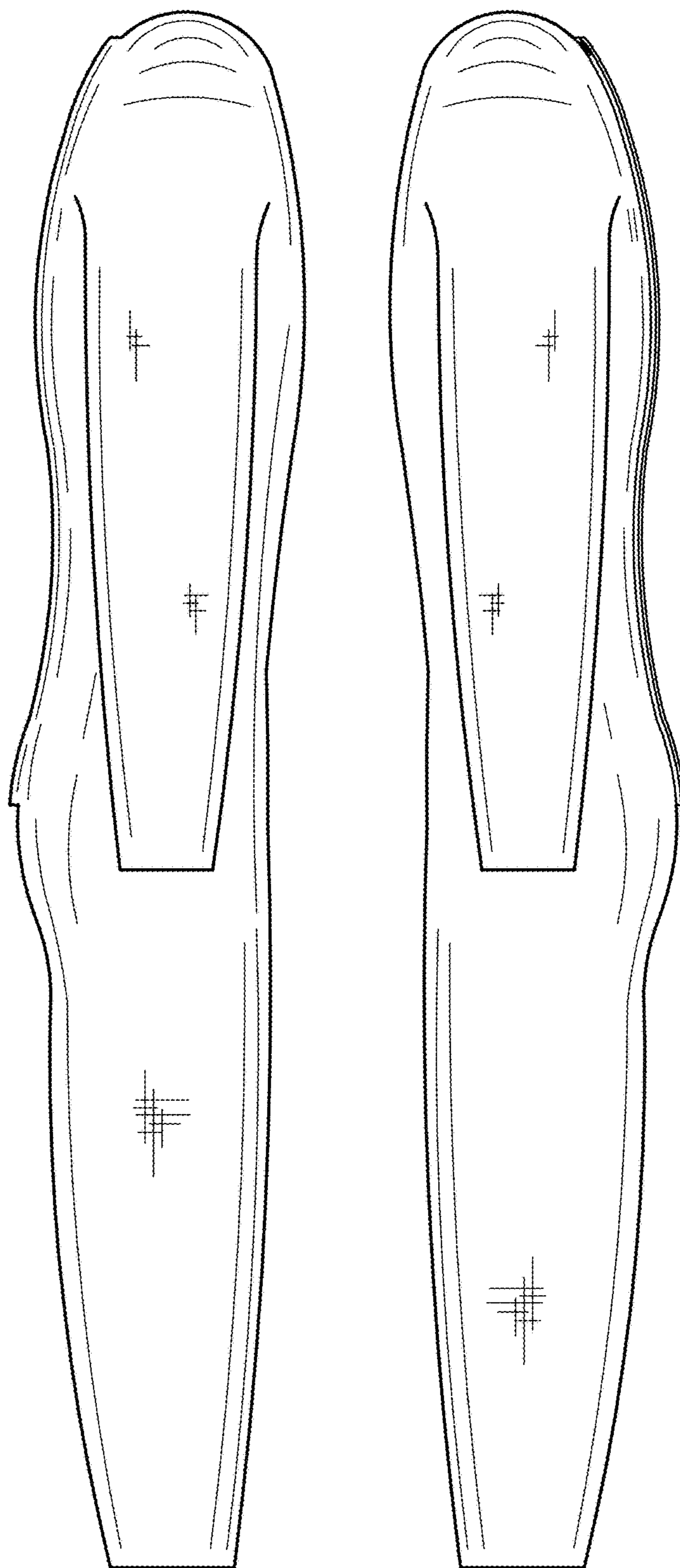


FIG. 3

FIG. 4

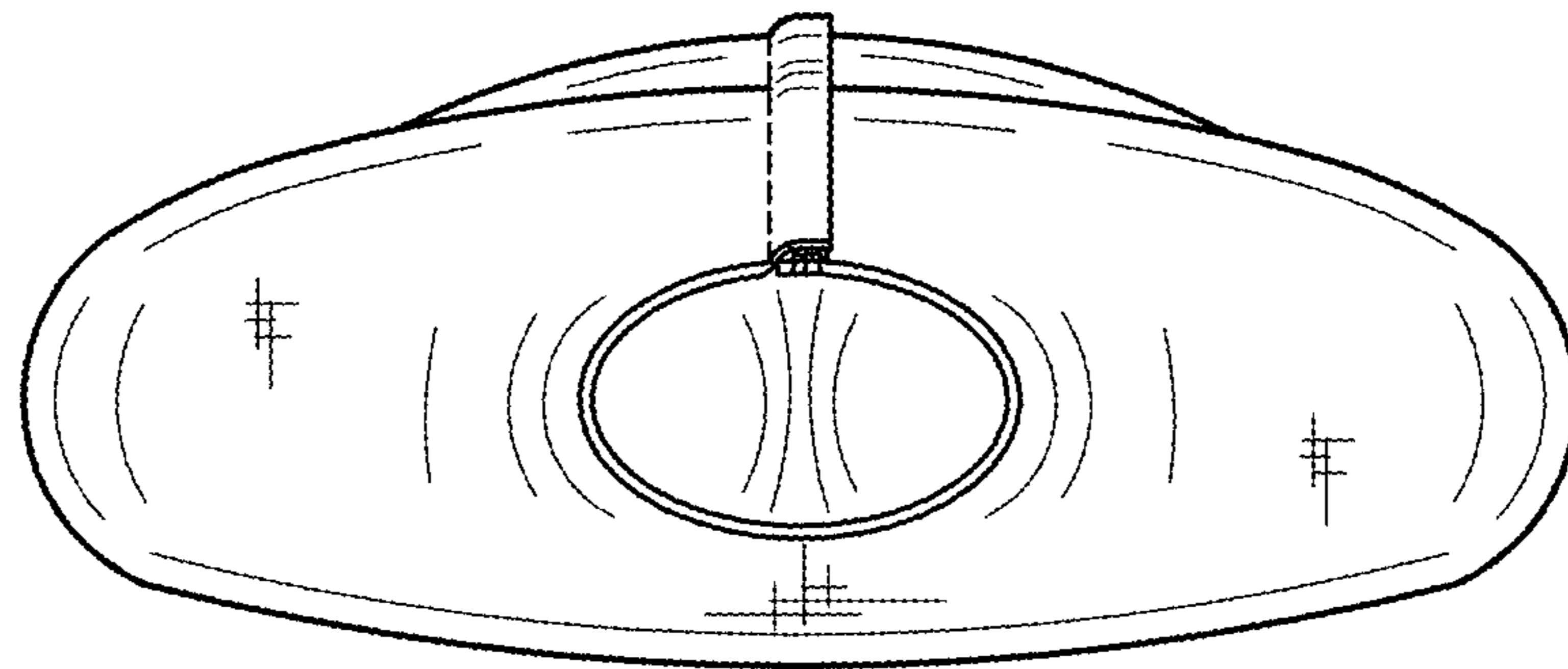


FIG. 5

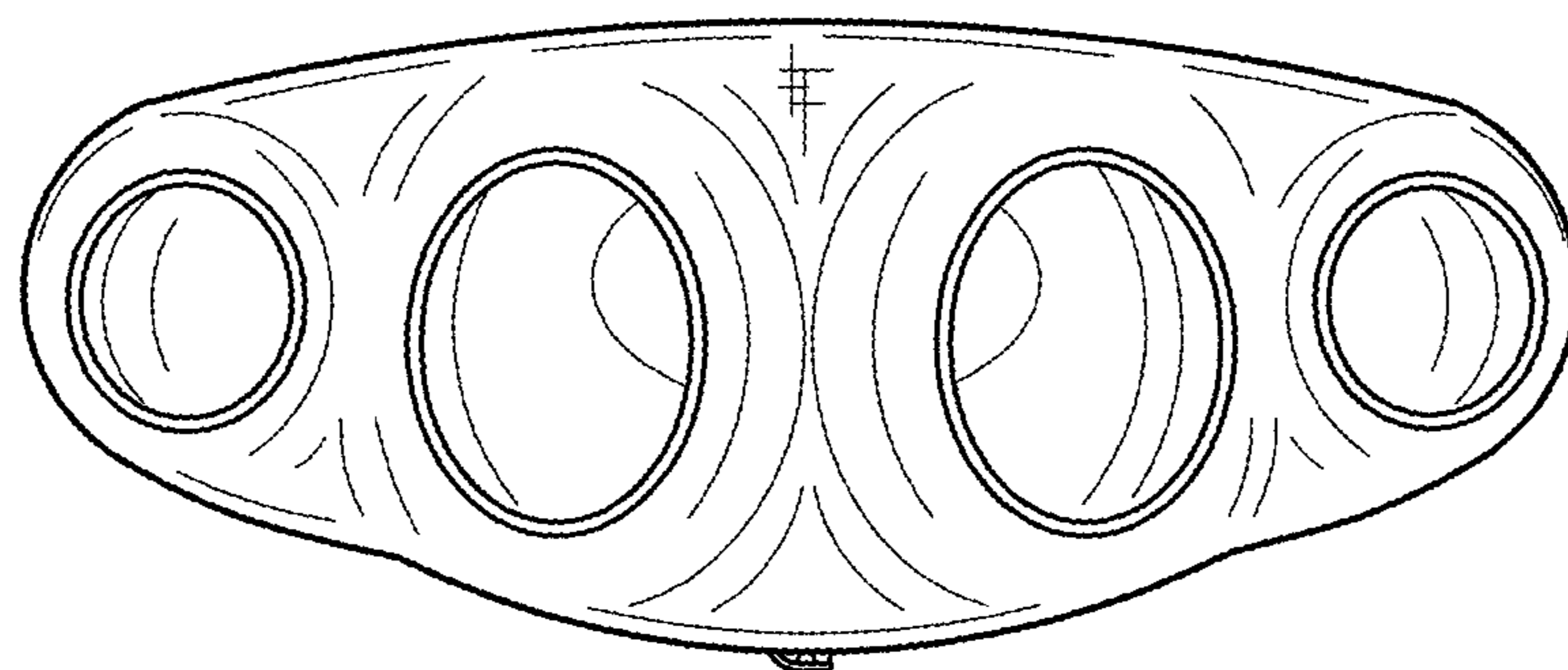


FIG. 6