



US00D785277S

(12) **United States Design Patent**  
**Reddick et al.**

(10) **Patent No.:** **US D785,277 S**  
(45) **Date of Patent:** **\*\* May 2, 2017**

(54) **LOZENGE**

(71) Applicant: **Niconovum USA, Inc.**, Winston-Salem, NC (US)

(72) Inventors: **E. Matthew Reddick**, Clemmons, NC (US); **Travis Swede**, Winston-Salem, NC (US)

(73) Assignee: **Niconovum USA, Inc.**, Winston-Salem, NC (US)

(\*\*) Term: **15 Years**

(21) Appl. No.: **29/555,061**

(22) Filed: **Feb. 18, 2016**

(51) **LOC (10) Cl.** ..... **01-01**

(52) **U.S. Cl.**

USPC ..... **D1/114; D1/127**

(58) **Field of Classification Search**

USPC ..... D1/100–130, 199; 426/5, 76, 87, 92, 94, 426/95, 99, 101, 103, 108, 138–139, 143, 426/144, 279, 282, 283, 391, 514, 549, 426/660; D13/100; D24/101–104; D28/8.1; 424/467; 425/195; 34/296; D6/601

CPC .. A61K 9/2072; A61K 9/0004; A61K 9/2095; A61K 9/209

See application file for complete search history.

(56) **References Cited**

**U.S. PATENT DOCUMENTS**

D49,515 S \* 8/1916 Harris ..... D1/114  
3,125,490 A \* 3/1964 Hershberg ..... A61J 3/007  
424/10.2  
D340,120 S \* 10/1993 Rosenstein ..... D1/199  
5,457,895 A \* 10/1995 Thompson ..... A61J 1/035  
34/296  
D377,086 S \* 12/1996 Tortarolo ..... D24/101  
D434,846 S \* 12/2000 Chen ..... D24/102

D509,942 S \* 9/2005 Connolly ..... D1/127  
D509,943 S \* 9/2005 Connolly ..... D1/127  
D588,776 S \* 3/2009 Kanamoto ..... D1/101  
D666,376 S \* 9/2012 Correa ..... D1/114  
D666,377 S \* 9/2012 Correa ..... D1/114  
D717,423 S \* 11/2014 Heit ..... D24/101  
D771,236 S \* 11/2016 Becker ..... D1/114

**OTHER PUBLICATIONS**

“Hydromorphone Hydrochloride.” Drugs.com. Feb. 16, 2008. Web. Dec. 7, 2016. <<https://www.drugs.com/imprints/m-2-488.html>>.\*

\* cited by examiner

*Primary Examiner* — Garth Rademaker

*Assistant Examiner* — Katie Stofko Mrocza

(74) *Attorney, Agent, or Firm* — Womble Carlyle Sandridge & Rice, LLP

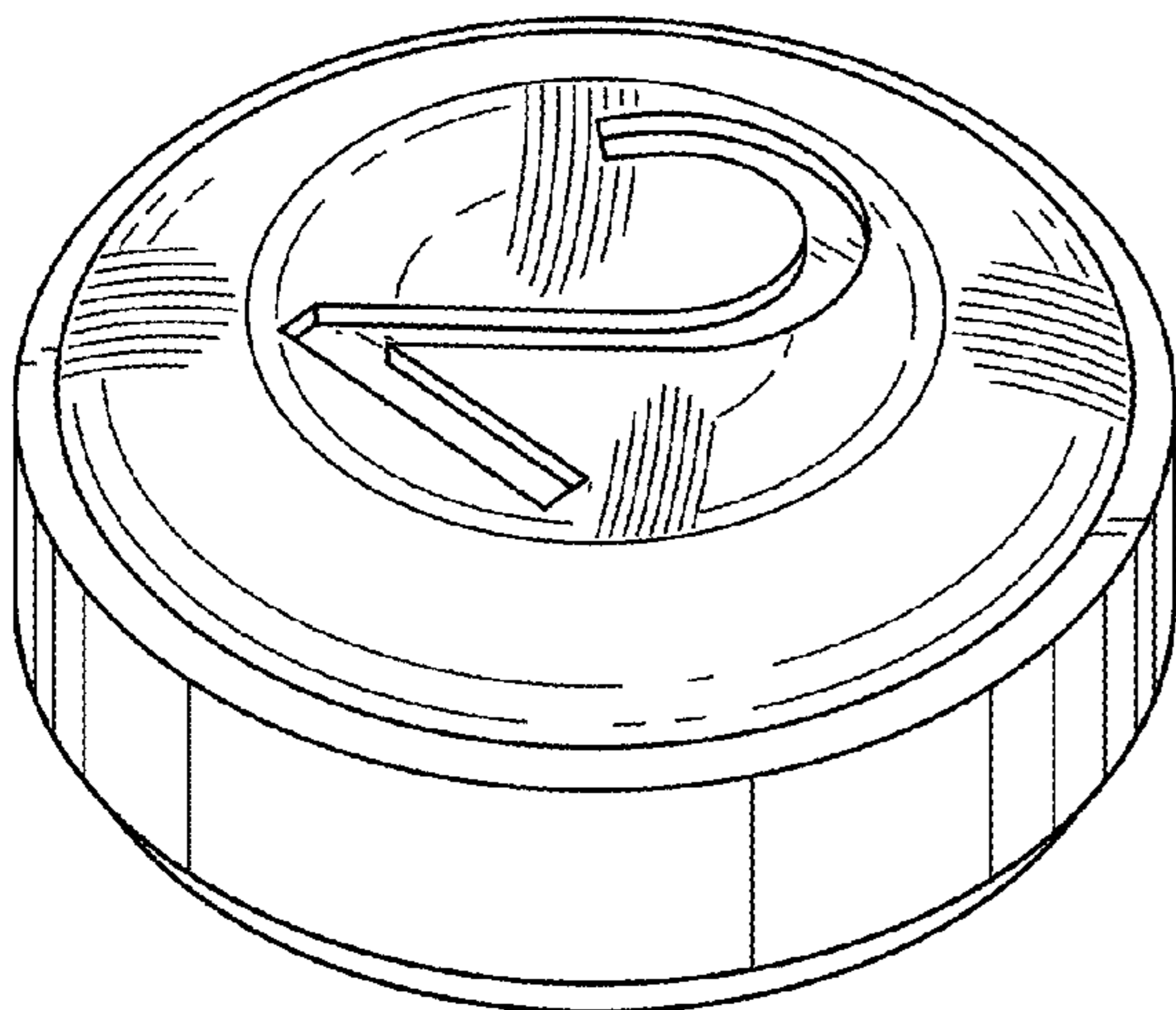
(57) **CLAIM**

The ornamental design for a lozenge, as shown and described.

**DESCRIPTION**

FIG. 1 is a top perspective view of a lozenge showing the new design, according to a first embodiment;  
FIG. 2 is a top plan view of the lozenge;  
FIG. 3 is a side elevational view of the lozenge, it being understood that all side views of the lozenge are identical;  
FIG. 4 is a bottom perspective view of the lozenge;  
FIG. 5 is a bottom plan view of the lozenge;  
FIG. 6 is a top perspective view of a lozenge showing the new design, according to a second embodiment;  
FIG. 7 is a top plan view of the lozenge;  
FIG. 8 is a side elevational view of the lozenge, it being understood that all side views of the lozenge are identical;  
FIG. 9 is a bottom perspective view of the lozenge; and,  
FIG. 10 is a bottom plan view of the lozenge.

**1 Claim, 10 Drawing Sheets**



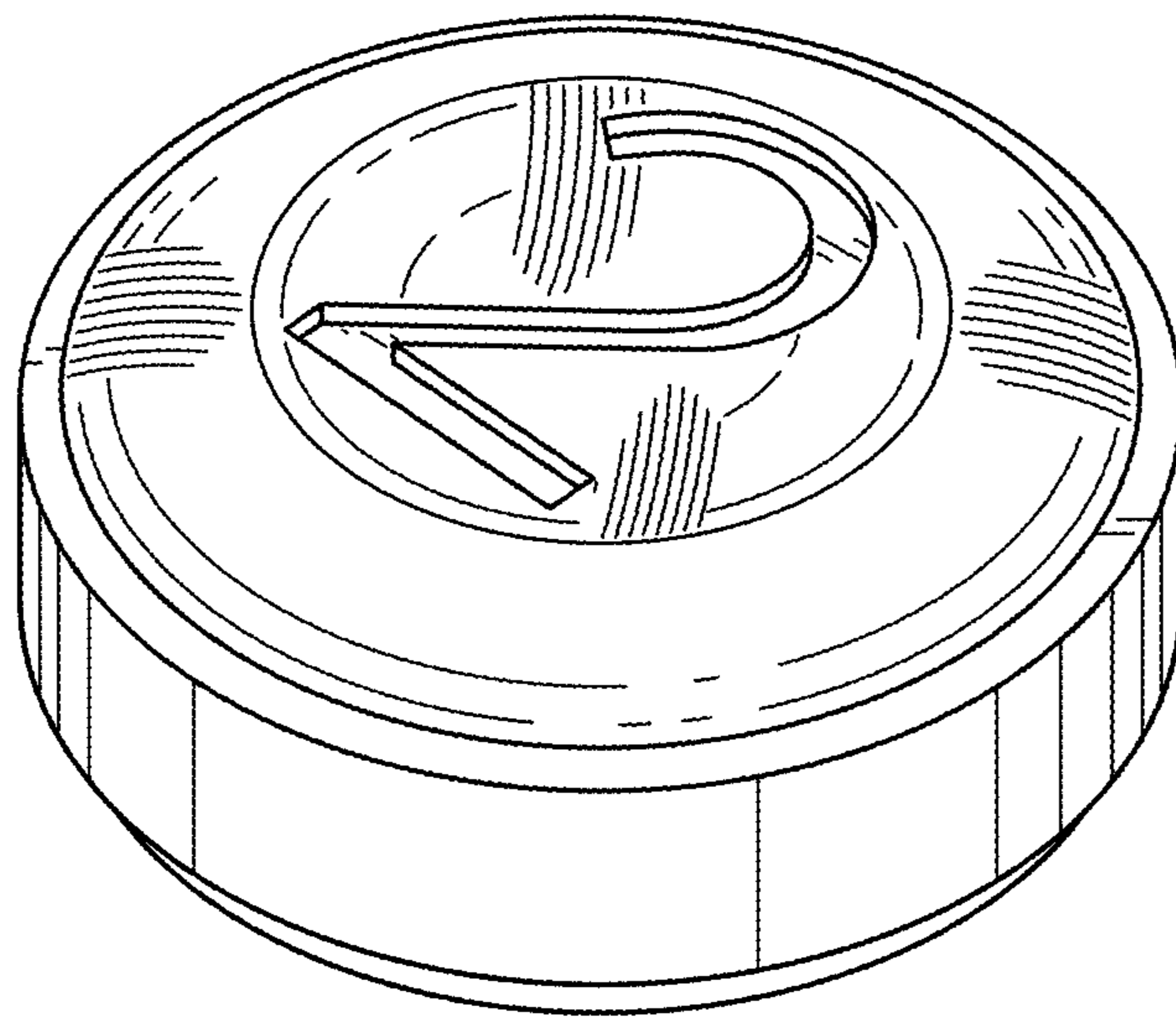


FIG. 1



FIG. 2

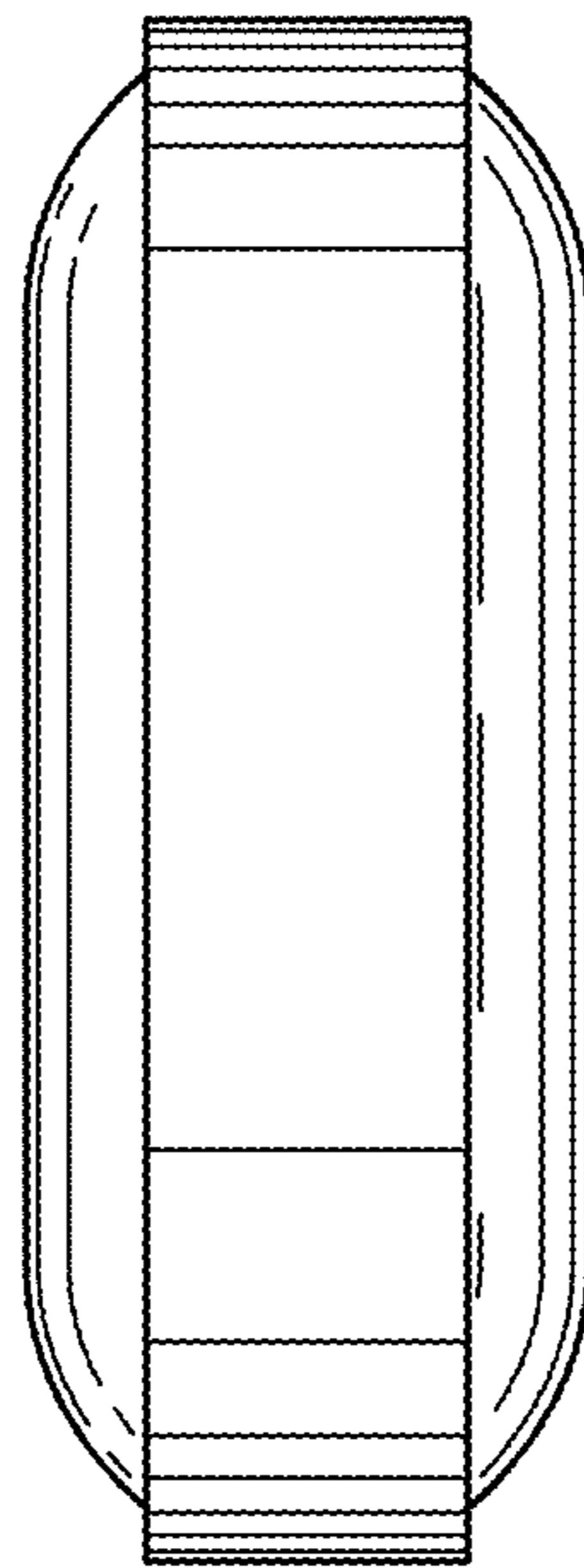


FIG. 3

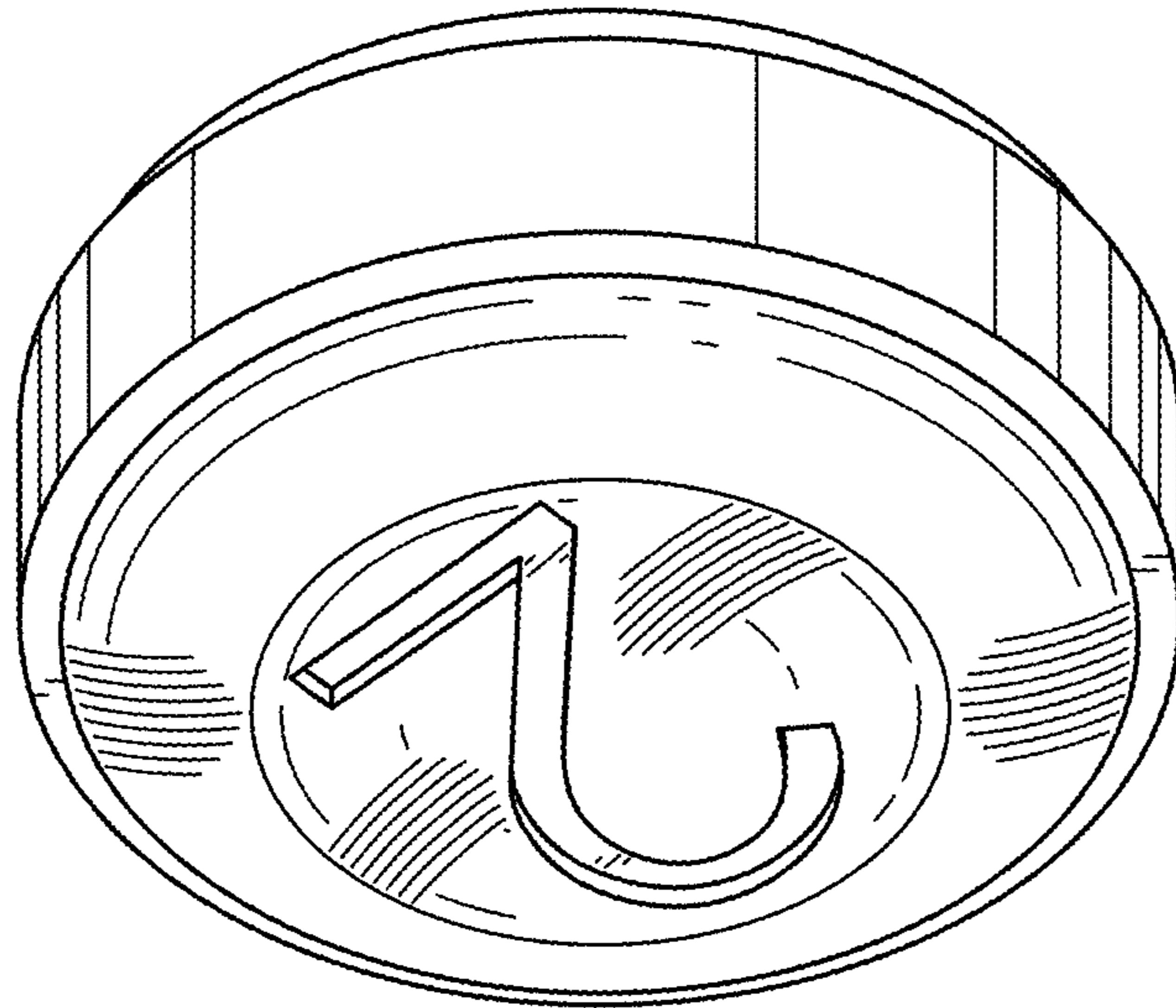


FIG. 4



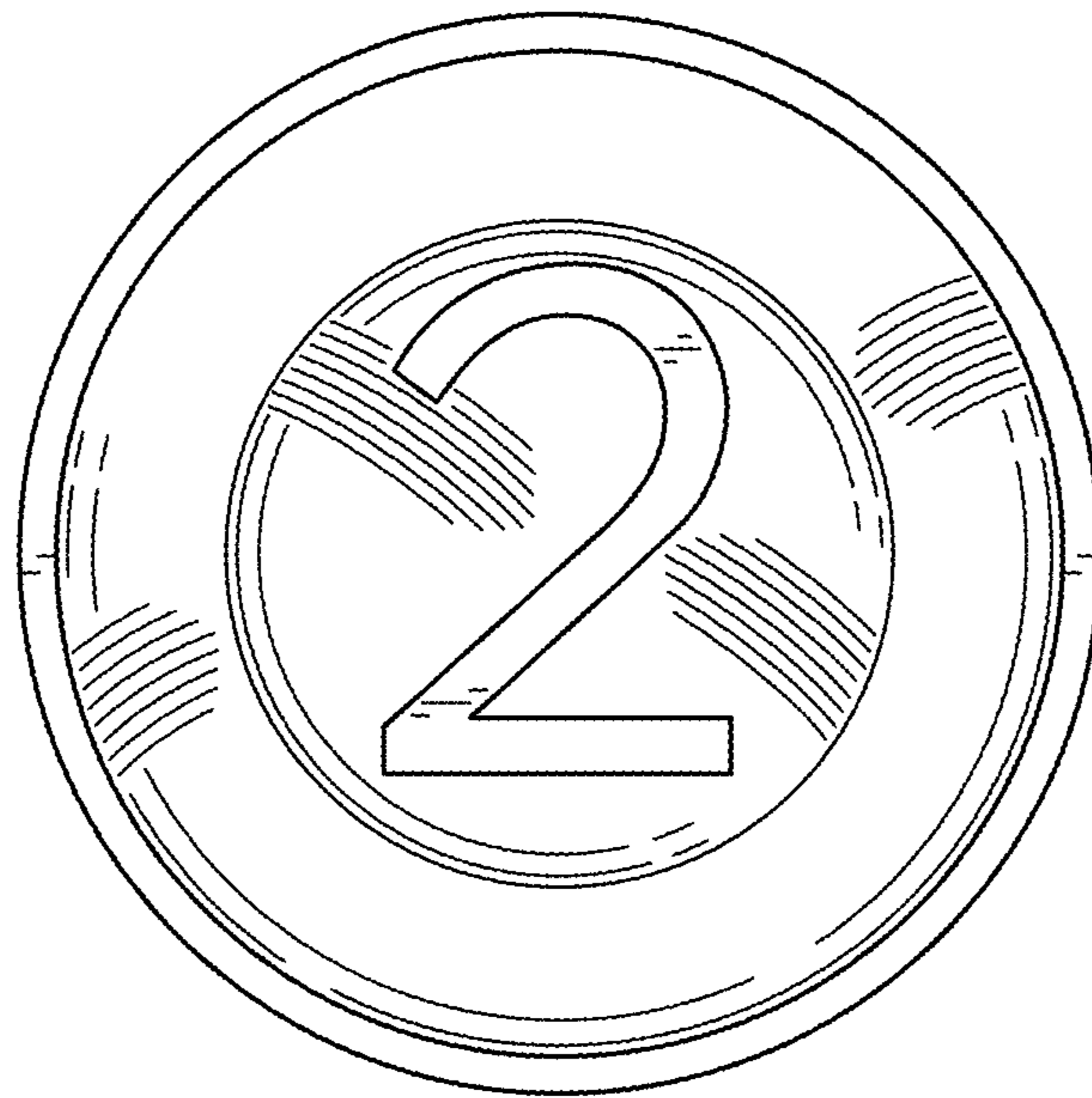


FIG. 5

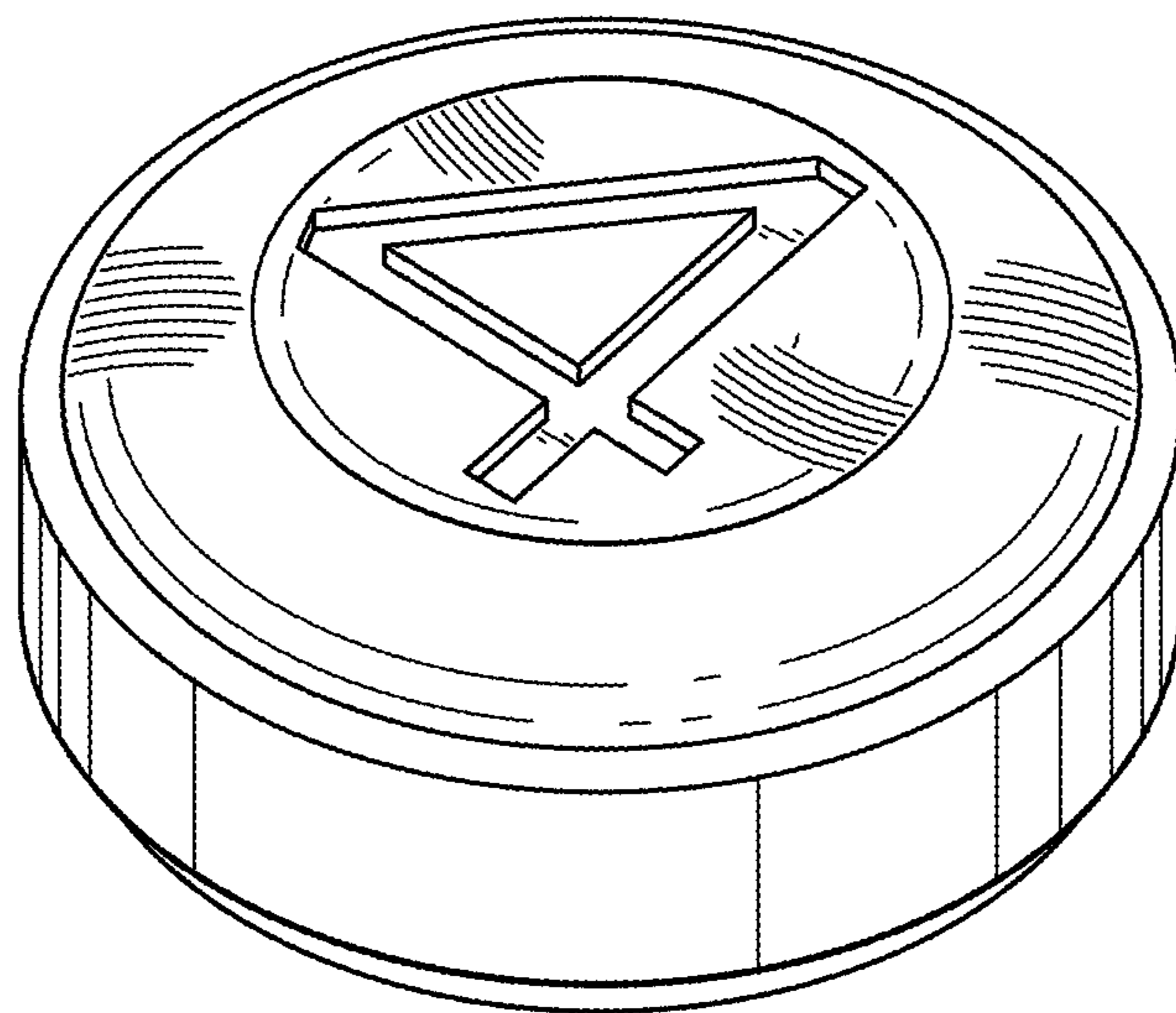


FIG. 6



FIG. 7



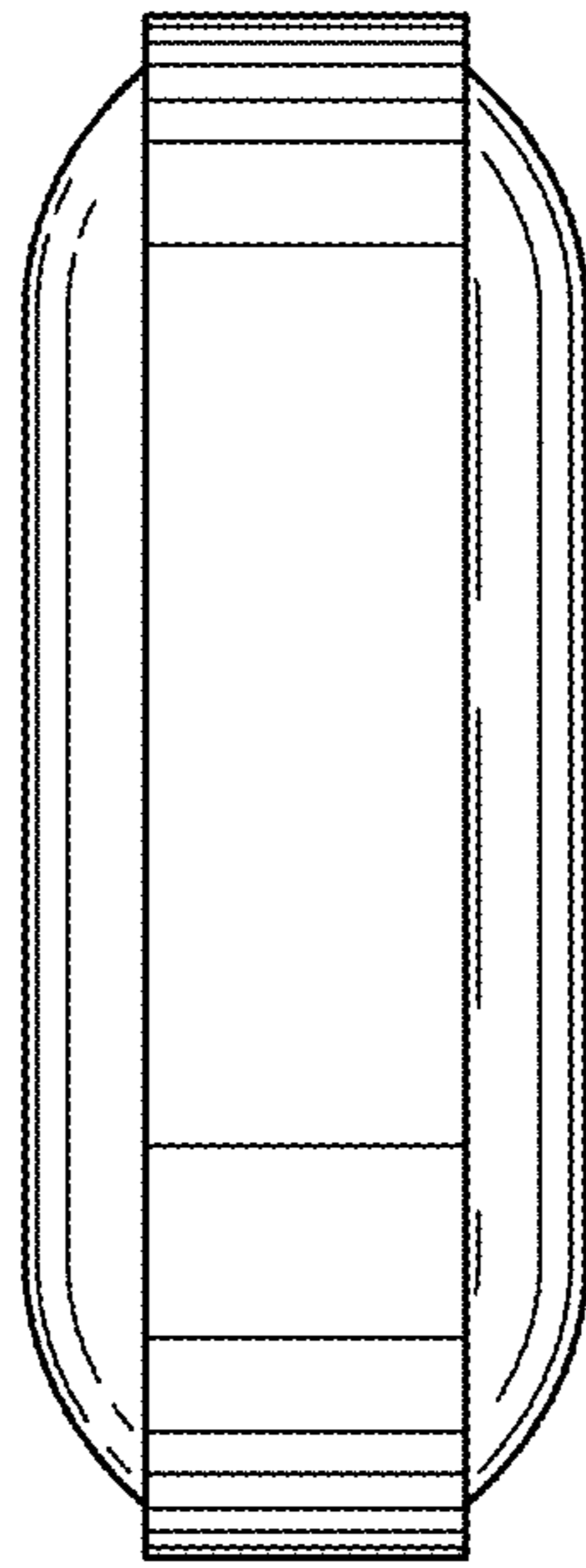


FIG. 8

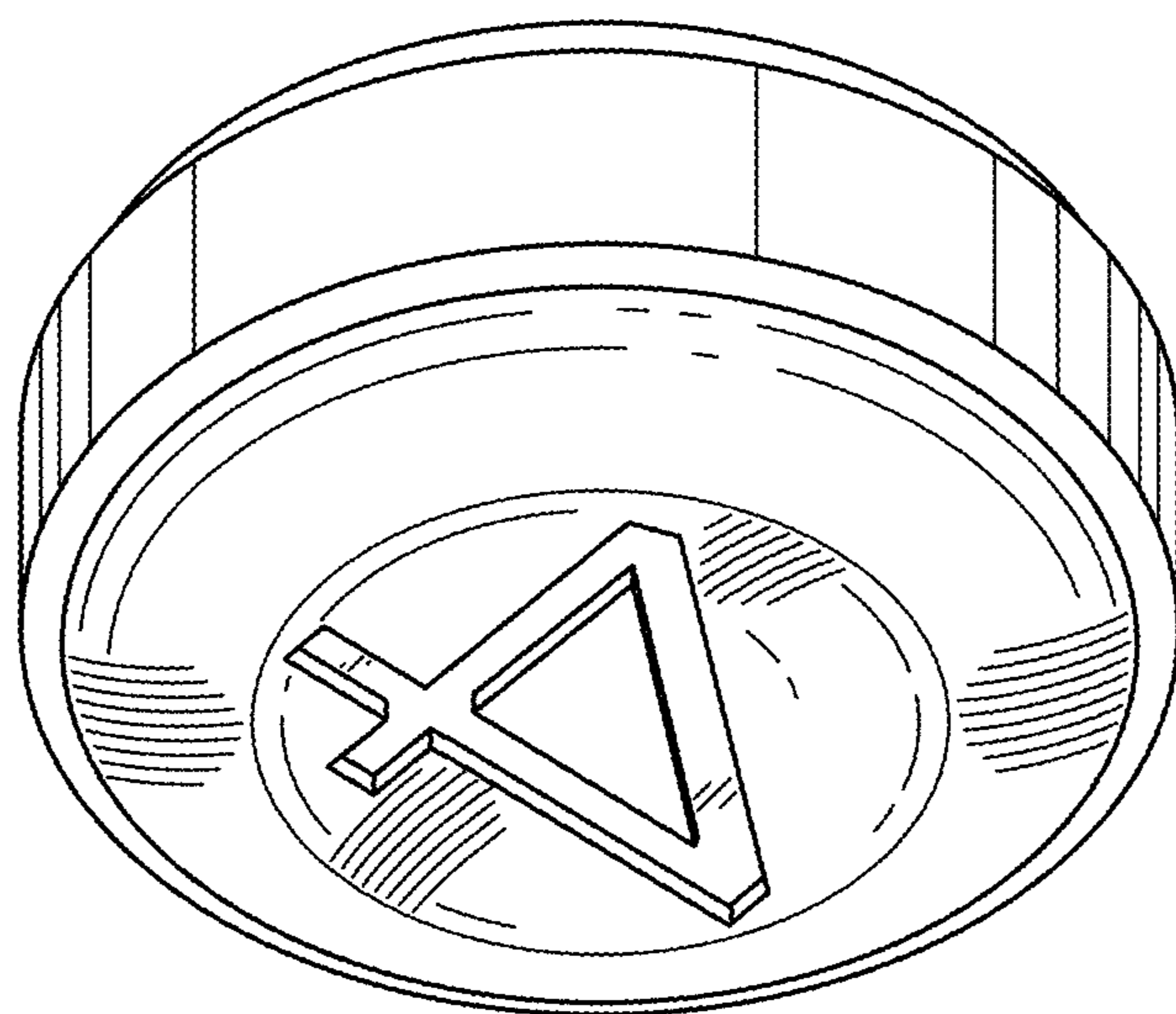


FIG. 9



FIG. 10