



US00D785275S

(12) **United States Design Patent** (10) **Patent No.:** **US D785,275 S**
Khanna et al. (45) **Date of Patent:** **** May 2, 2017**

- (54) **ICE CREAM CUP**
- (71) Applicants: **Ritesh Khanna**, Fremont, CA (US);
Shriya Gupta, Mountain View, CA (US)
- (72) Inventors: **Ritesh Khanna**, Fremont, CA (US);
Shriya Gupta, Mountain View, CA (US)
- (**) Term: **15 Years**
- (21) Appl. No.: **29/539,961**
- (22) Filed: **Sep. 18, 2015**
- (51) **LOC (10) Cl.** **01-01**
- (52) **U.S. Cl.**
USPC **D1/105; D1/130**
- (58) **Field of Classification Search**
USPC D1/100–130, 199; 426/104, 115, 121,
426/129, 130, 144, 249, 274, 303, 414,
426/420; D21/386, 401, 722; D6/597;
D7/400, 507, 509, 523, 532, 675;
220/574; 29/428; D8/71; D24/122
CPC A23G 9/503; A23G 9/48; A23G 9/282;
A23G 9/285; A23G 3/2023; A23L
1/0067; A21D 2/36; A21D 13/0029
See application file for complete search history.

- D587,068 S * 2/2009 Rocco D7/507
D593,371 S * 6/2009 Karam D7/624.2
D615,356 S * 5/2010 Hillebrenner D7/509
D635,399 S * 4/2011 DelVecchio D7/509
8,262,956 B2 * 9/2012 Komatsu B29C 44/348
264/328.8
8,881,938 B2 * 11/2014 Brannock B65D 47/06
215/387
D765,471 S * 9/2016 Gorbald D7/509
2003/0087011 A1 * 5/2003 Perkins A23G 9/503
426/134
2007/0084822 A1 * 4/2007 Bohlen B65D 11/04
215/382

* cited by examiner

Primary Examiner — Garth Rademaker
Assistant Examiner — Katie Stofko Krocza

(57) **CLAIM**

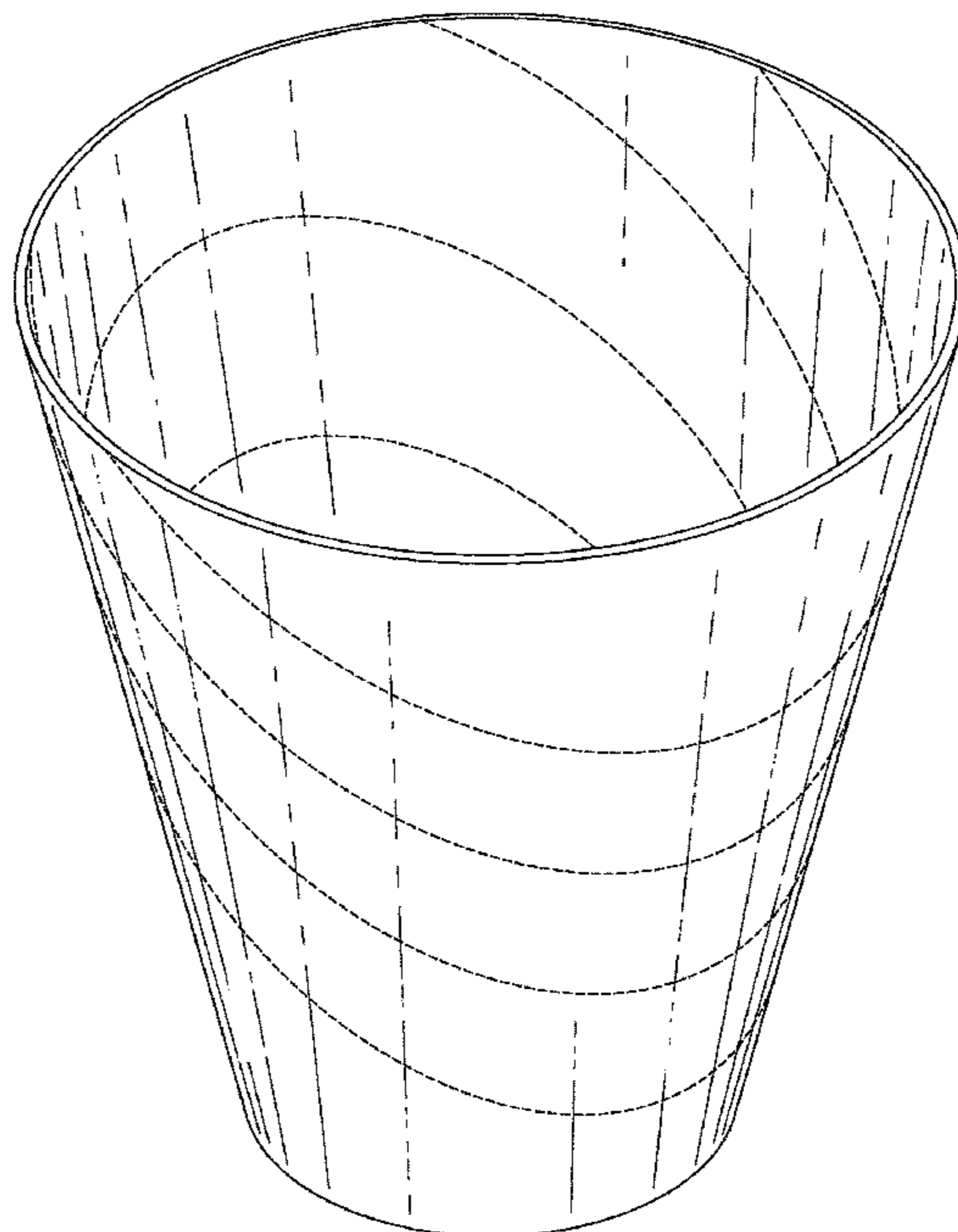
The ornamental design for an ice cream cup, as shown and described.

DESCRIPTION

FIG. 1 is a left, front, top perspective view of an ice cream cup showing my new design;
FIG. 2 is a right, rear, top perspective view thereof;
FIG. 3 is a front bottom perspective view thereof;
FIG. 4 is a top plan view thereof;
FIG. 5 is a bottom plan view thereof;
FIG. 6 is a left-side elevational view thereof;
FIG. 7 is a right-side elevational view thereof;
FIG. 8 is a front elevational view thereof; and,
FIG. 9 is a rear elevational view thereof.
The broken line represents perforated lines on the ice cream cup which form a part of the claimed design.

1 Claim, 9 Drawing Sheets

- (56) **References Cited**
- U.S. PATENT DOCUMENTS
- 2,032,483 A * 3/1936 Isenberg A23G 9/221
249/158
D109,474 S * 5/1938 Connor D34/1
D121,361 S * 7/1940 Balton D1/118
D586,527 S * 2/2009 Perkins D1/105



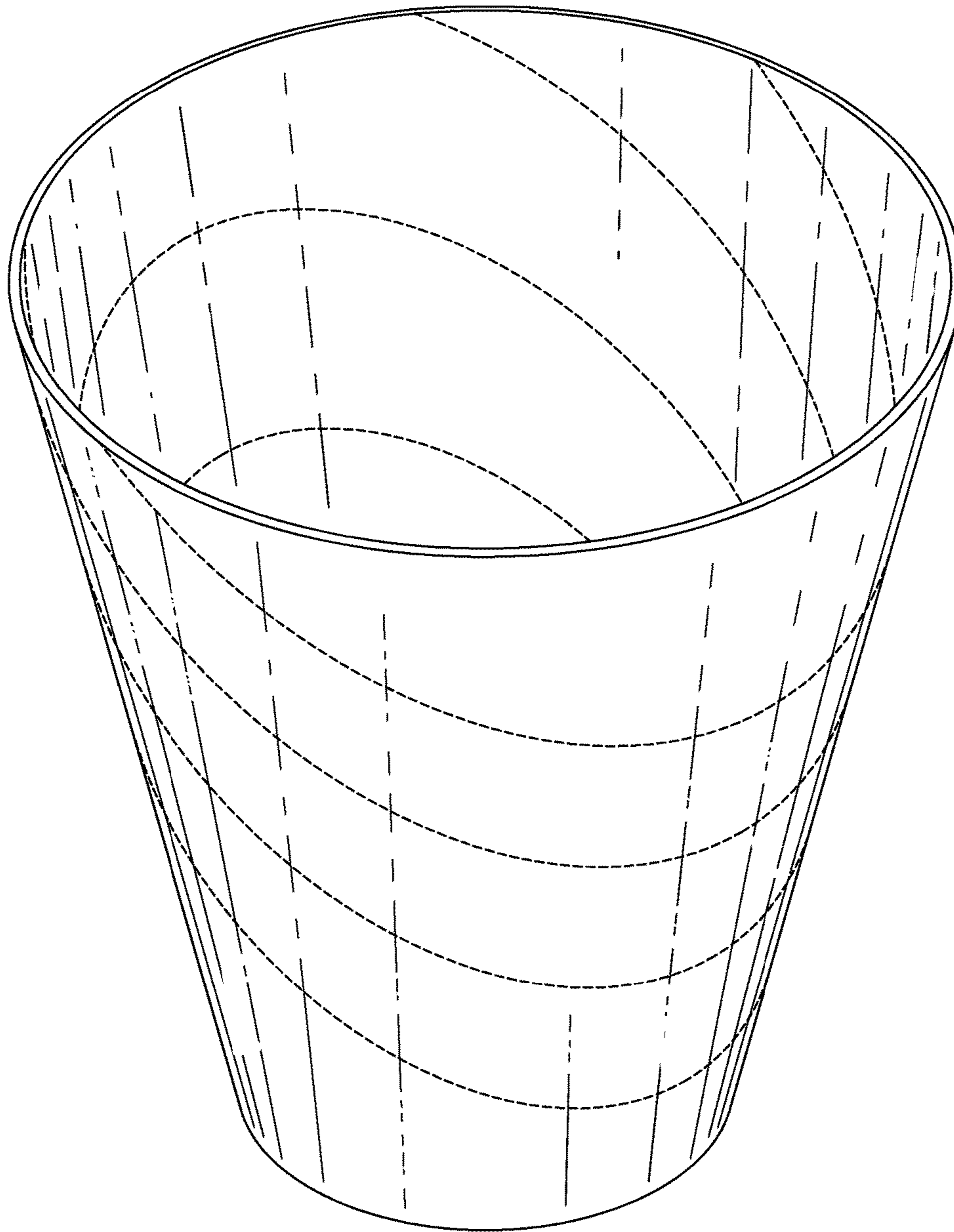


FIG. 1

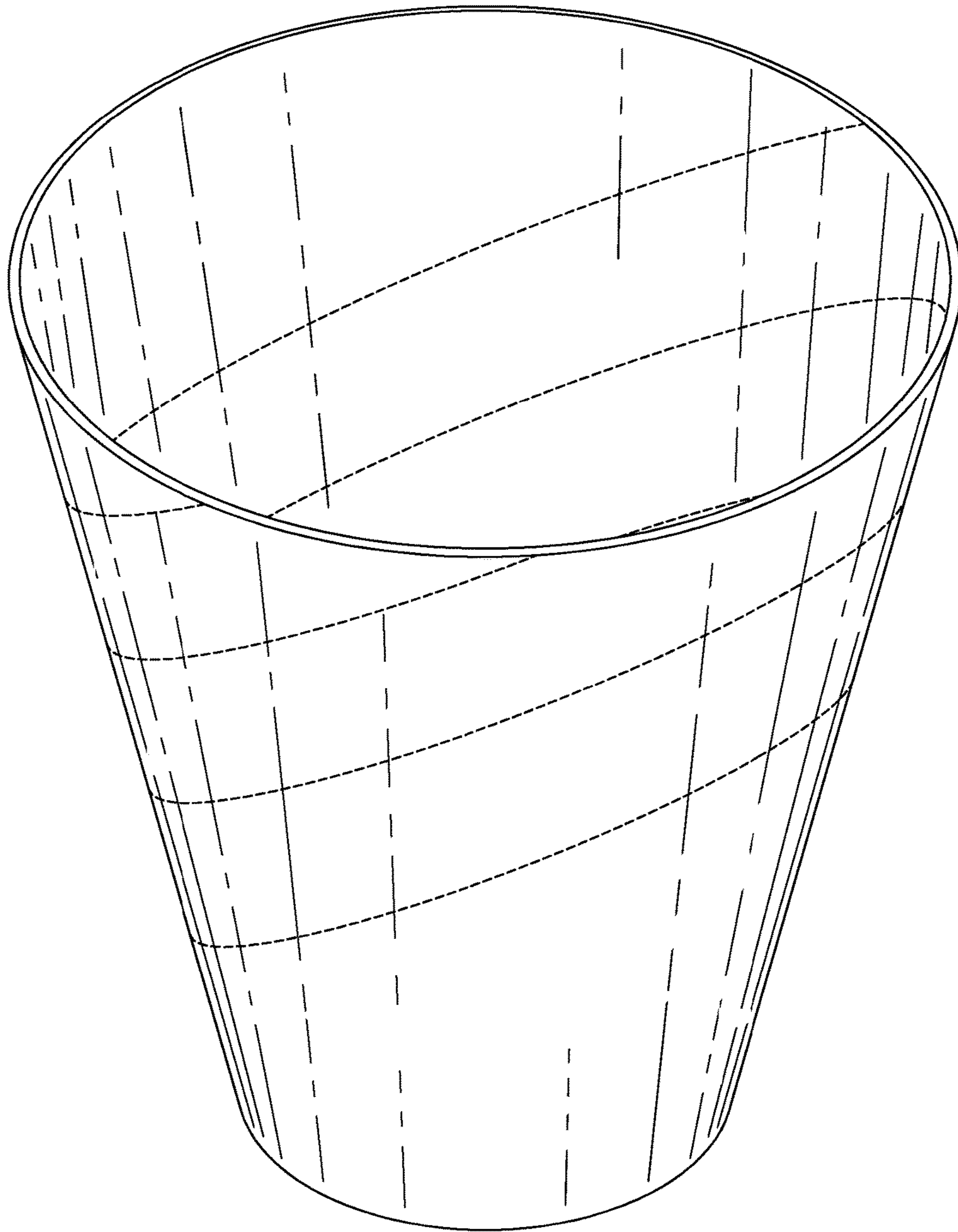


FIG. 2

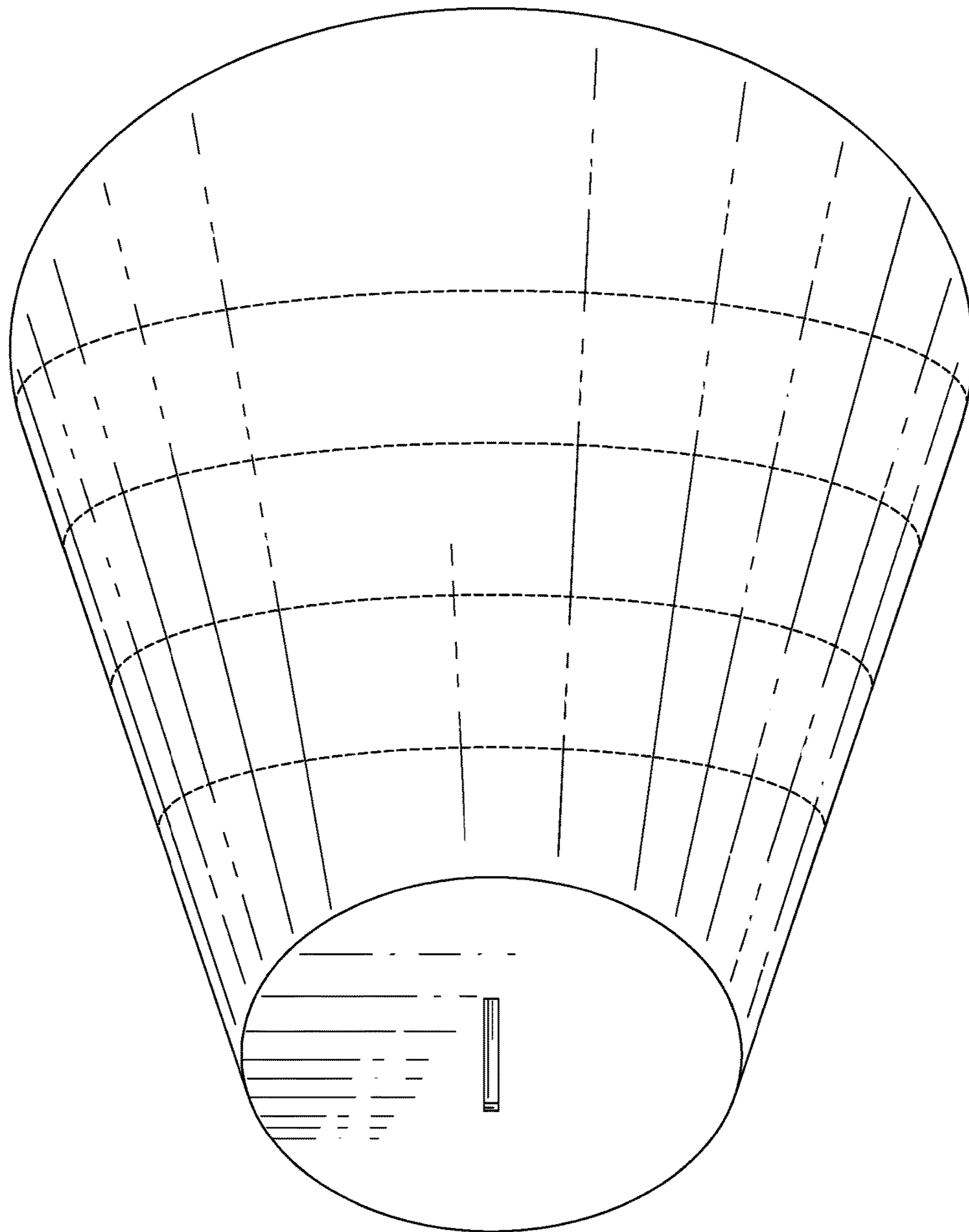


FIG. 3

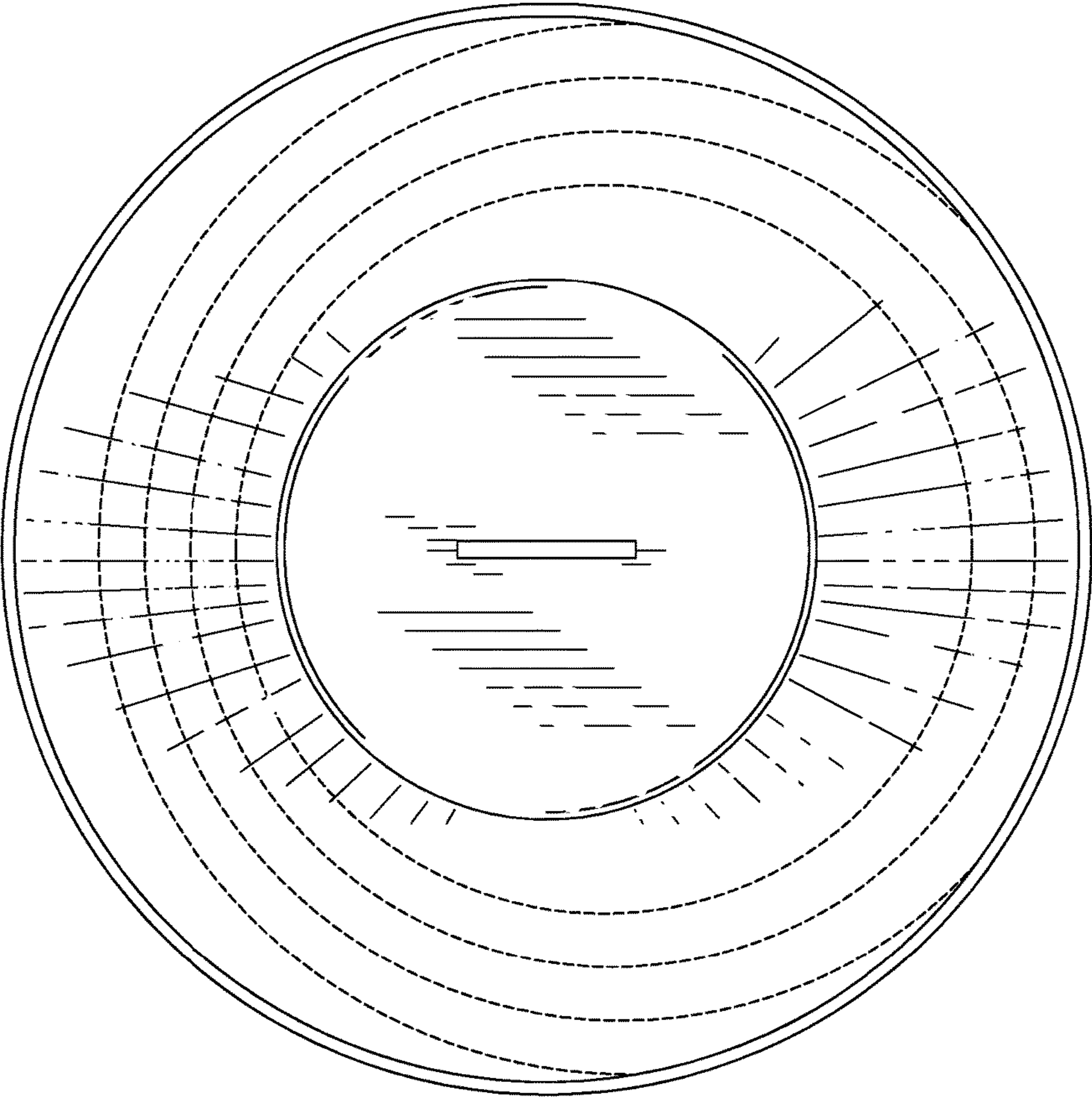


FIG. 4

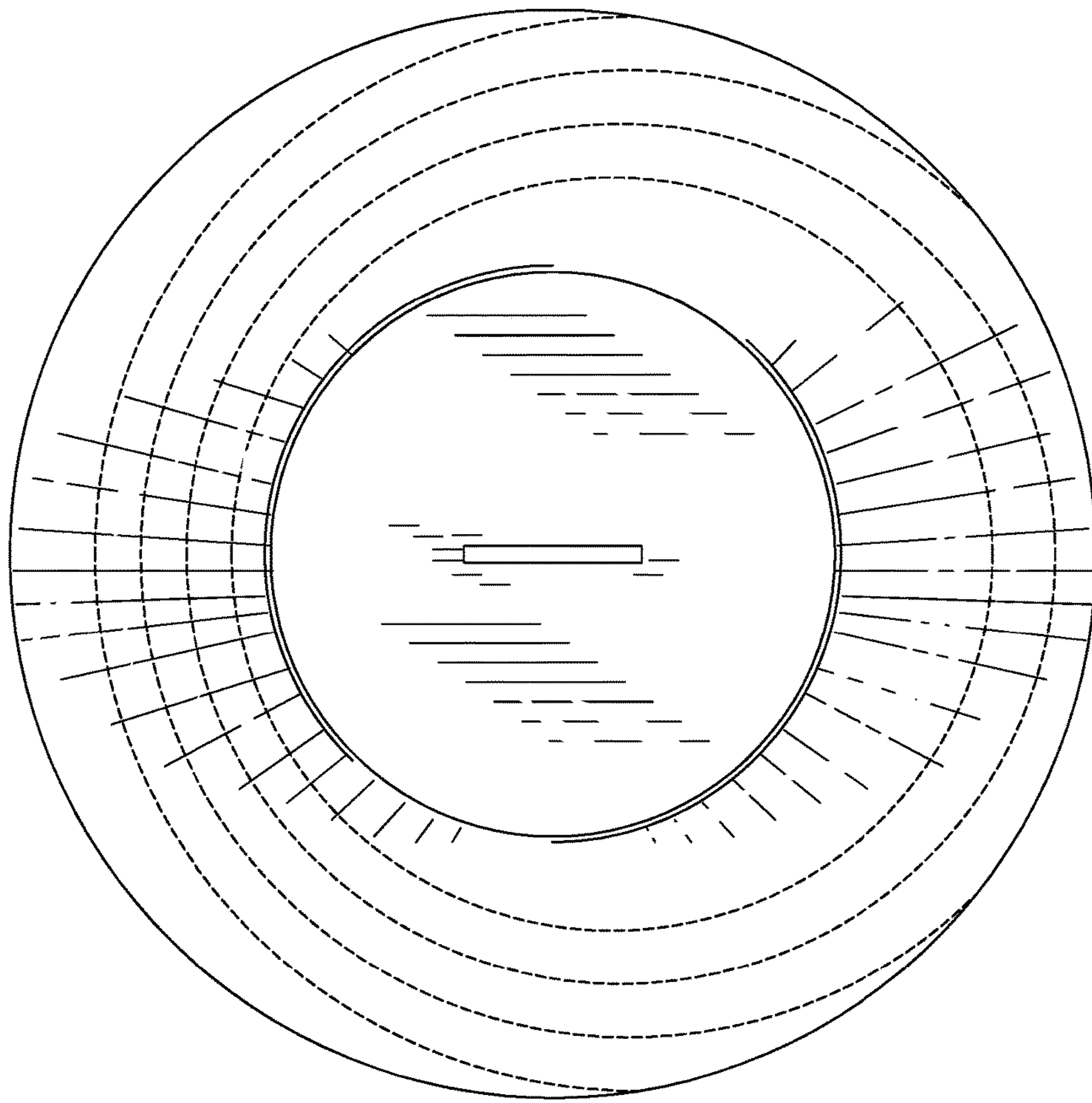


FIG. 5

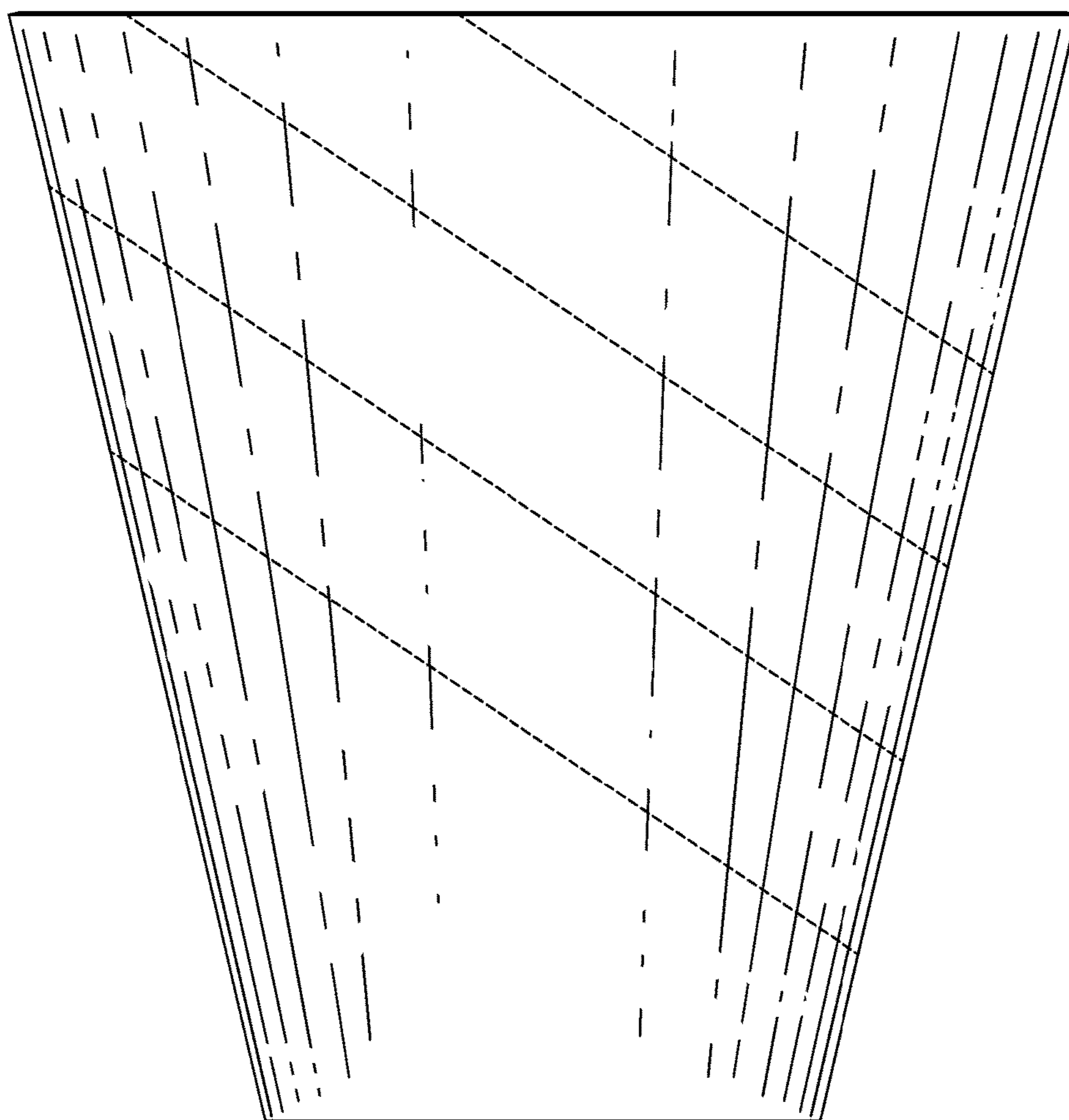


FIG. 6

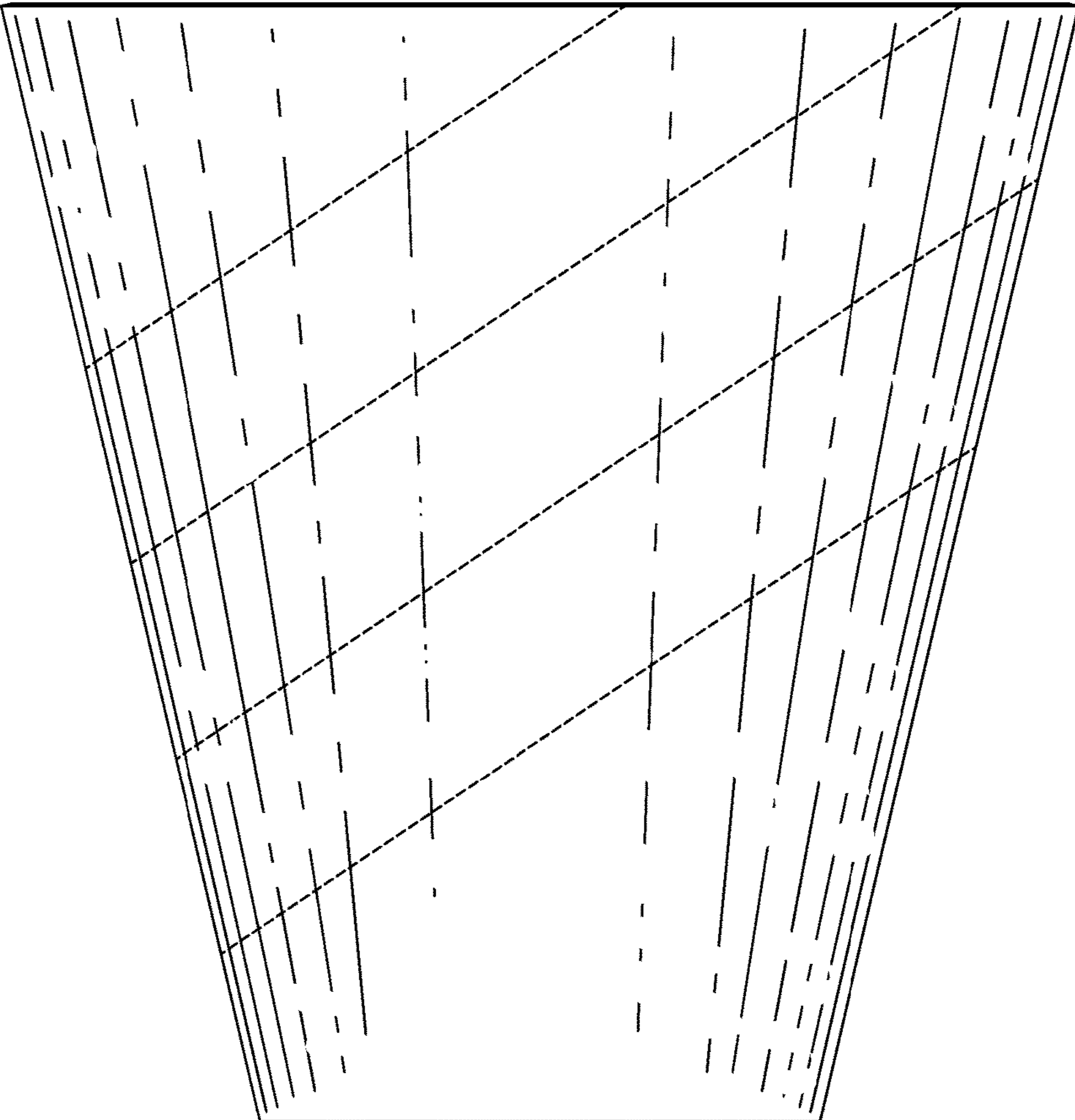


FIG. 7

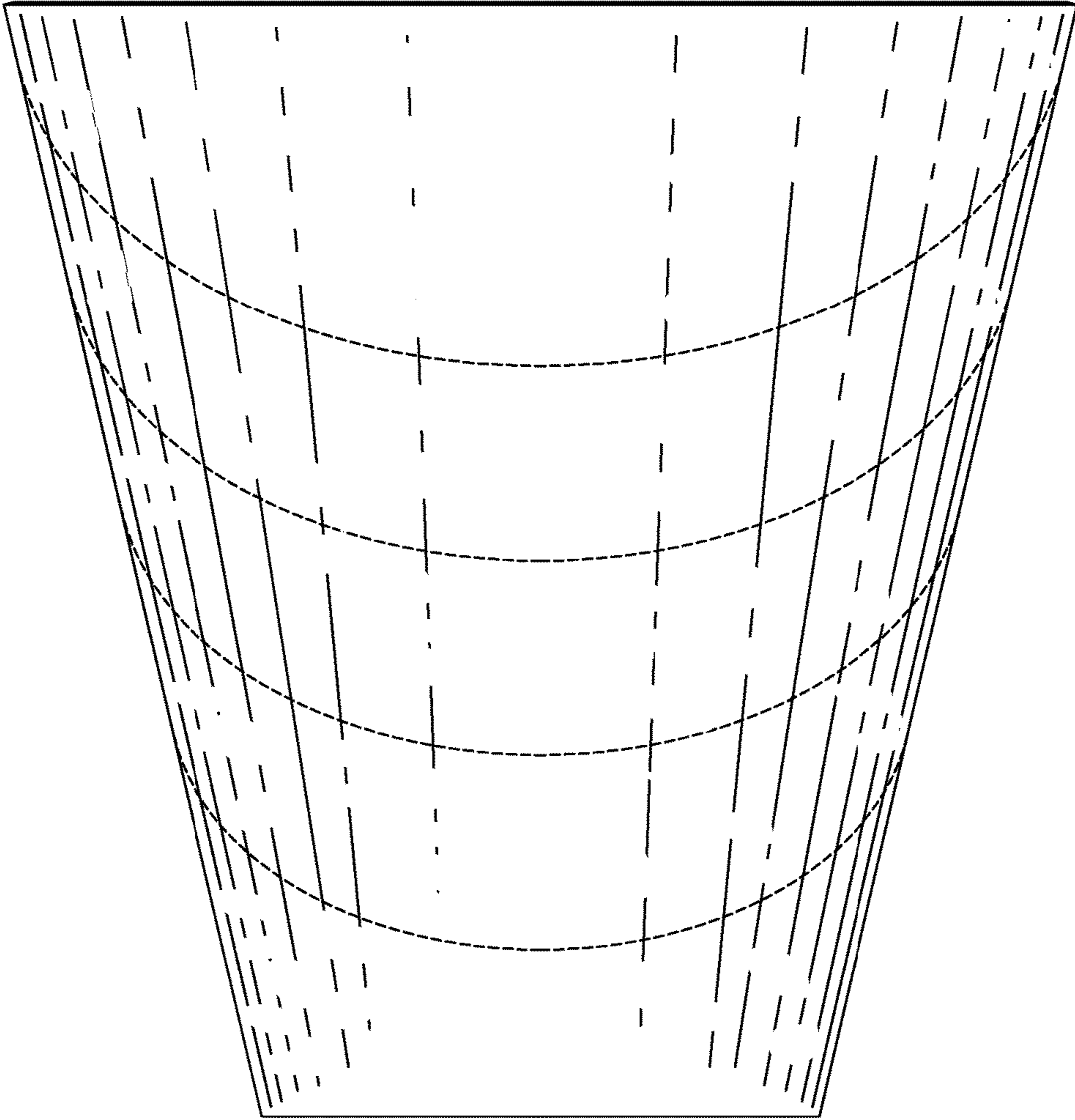


FIG. 8

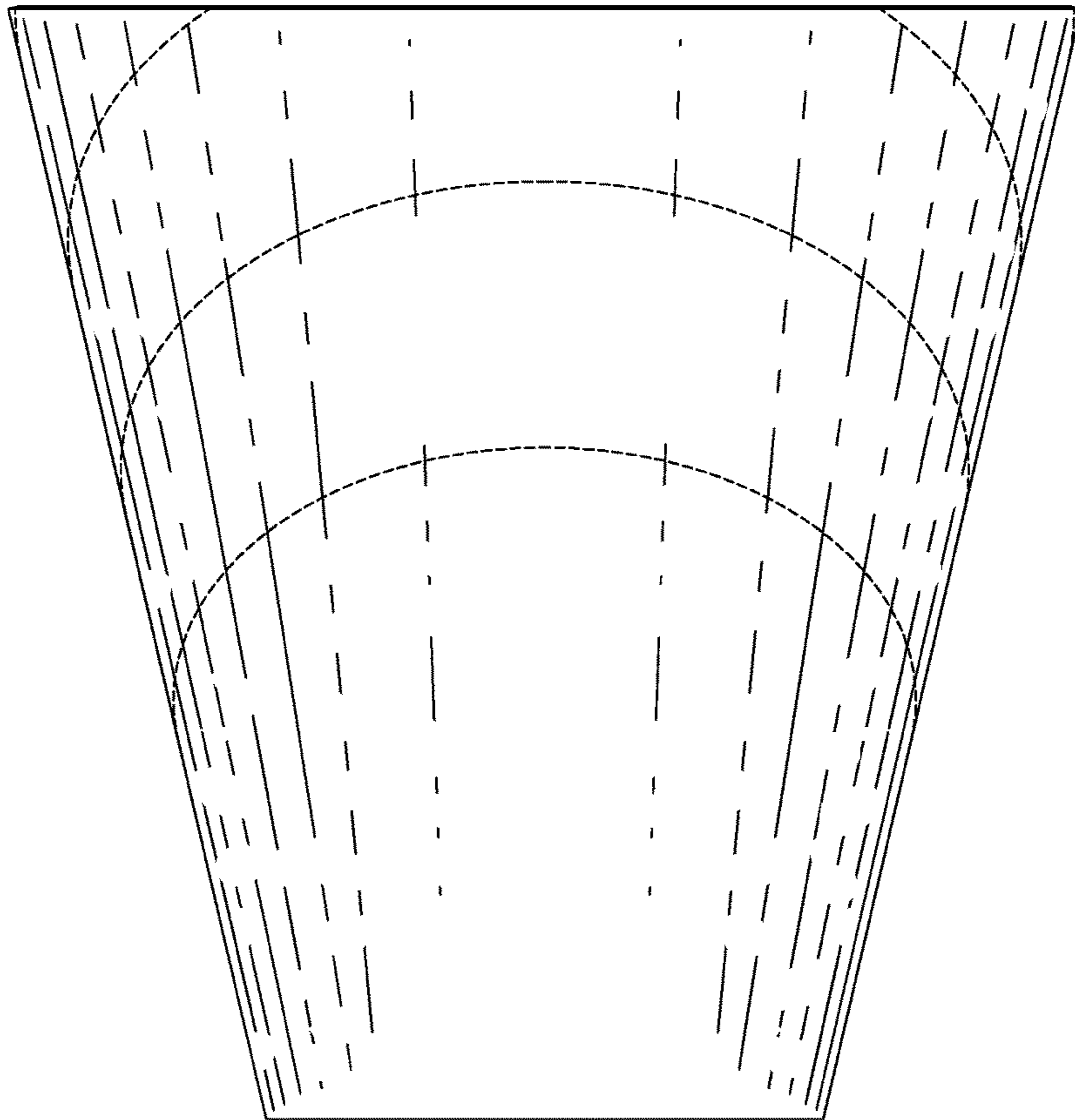


FIG. 9