



US00D785269S

(12) **United States Design Patent** (10) **Patent No.:** **US D785,269 S**  
**Slaughenhoupt et al.** (45) **Date of Patent:** **\*\* Apr. 25, 2017**

(54) **COMBINED LITTER AND RECYCLING RECEPTACLE**

D672,109 S \* 12/2012 Moore ..... D34/6  
D724,807 S \* 3/2015 Gerard ..... D34/1  
D734,583 S \* 7/2015 Gerard ..... D34/1

(71) Applicant: **VICTOR STANLEY, INC.**, Dunkirk, MD (US)

**OTHER PUBLICATIONS**

(72) Inventors: **Bryan Slaughenhoupt**, Deale, MD (US); **Gerald Skalka**, Potomac, MD (US)

“Ironsites® SD-242 Recycling Station,” Victor Stanley, Inc., 2014 (4 pages).  
“RSDC-36 Steelsites™ Series,” Rev. Jun. 10, 2011, Victor Stanley, Inc., 2011 (1 page).  
“SD-242 Ironsites® Series,” Rev. Jun. 4, 2014, Victor Stanley, Inc., 2014 (1 page).  
“SD-242 Ironsites® Series Side-Door Recycling Station,” Rev. Jun. 2, 2014, Victor Stanley, Inc., 2014 (1 page).  
“Steelsites™ Side-Deposit Receptacles,” Victor Stanley, Inc. 2014 (4 pages).  
“Recycling Solutions,” 07/08 MP 50M SM731, Rubbermaid® Commercial Products, 2008 (5 pages).  
Dual Purpose Litter and Recycling Receptacle, filed May 21, 2015.

(73) Assignee: **VICTOR STANLEY, INC.**, Dunkirk, MD (US)

(\*\*) Term: **15 Years**

(21) Appl. No.: **29/527,701**

(22) Filed: **May 21, 2015**

(51) **LOC (10) Cl.** ..... **09-09**

(52) **U.S. Cl.**  
USPC ..... **D34/1; D34/6**

(58) **Field of Classification Search**  
USPC ..... **D34/1-11; 220/908-913**  
CPC .... **B65F 1/06; B65F 1/08; B65F 1/163; B65F 1/1607; B65F 1/106; B65F 1/1615; B65F 1/068**

See application file for complete search history.

(56) **References Cited**

**U.S. PATENT DOCUMENTS**

3,793,756 A \* 2/1974 Kay ..... B65F 1/1426  
220/908  
D417,053 S \* 11/1999 Skalka ..... D34/6  
D473,361 S \* 4/2003 Englert ..... D34/7  
D476,456 S \* 6/2003 Englert ..... D34/7  
D484,661 S \* 12/2003 Englert ..... D34/7  
D547,019 S \* 7/2007 Weiss ..... D34/7  
D549,418 S \* 8/2007 Boydston ..... D34/1  
D555,863 S \* 11/2007 Weiss ..... D34/1  
D606,721 S \* 12/2009 Moore ..... D34/7  
D643,986 S \* 8/2011 Soto ..... D34/1  
D643,987 S \* 8/2011 Soto ..... D34/1  
D655,473 S \* 3/2012 Moore ..... D34/11

\* cited by examiner

*Primary Examiner* — Cynthia Ramirez  
(74) *Attorney, Agent, or Firm* — Westerman, Hattori, Daniels & Adrian, LLP

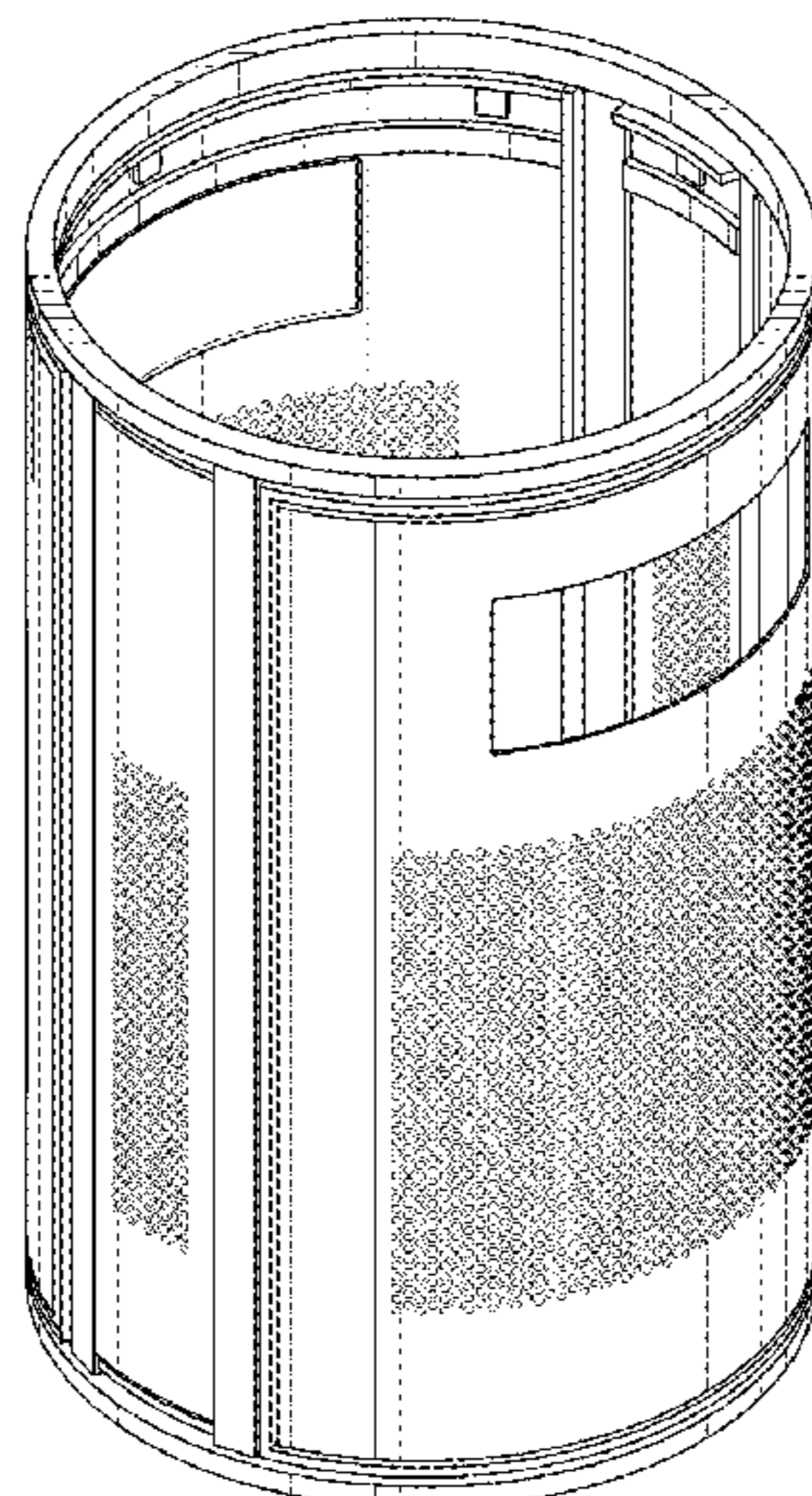
(57) **CLAIM**

The ornamental design for a combined litter and recycling receptacle, as shown.

**DESCRIPTION**

FIG. 1 is a perspective view of a combined litter and recycling receptacle showing our new design; FIG. 2 is a front elevational view thereof; FIG. 3 is a left side elevational view thereof; FIG. 4 is a rear elevational view thereof; FIG. 5 is a right side elevational view thereof; FIG. 6 is a top plan view thereof; and, FIG. 7 is a bottom plan view thereof.

**1 Claim, 2 Drawing Sheets**



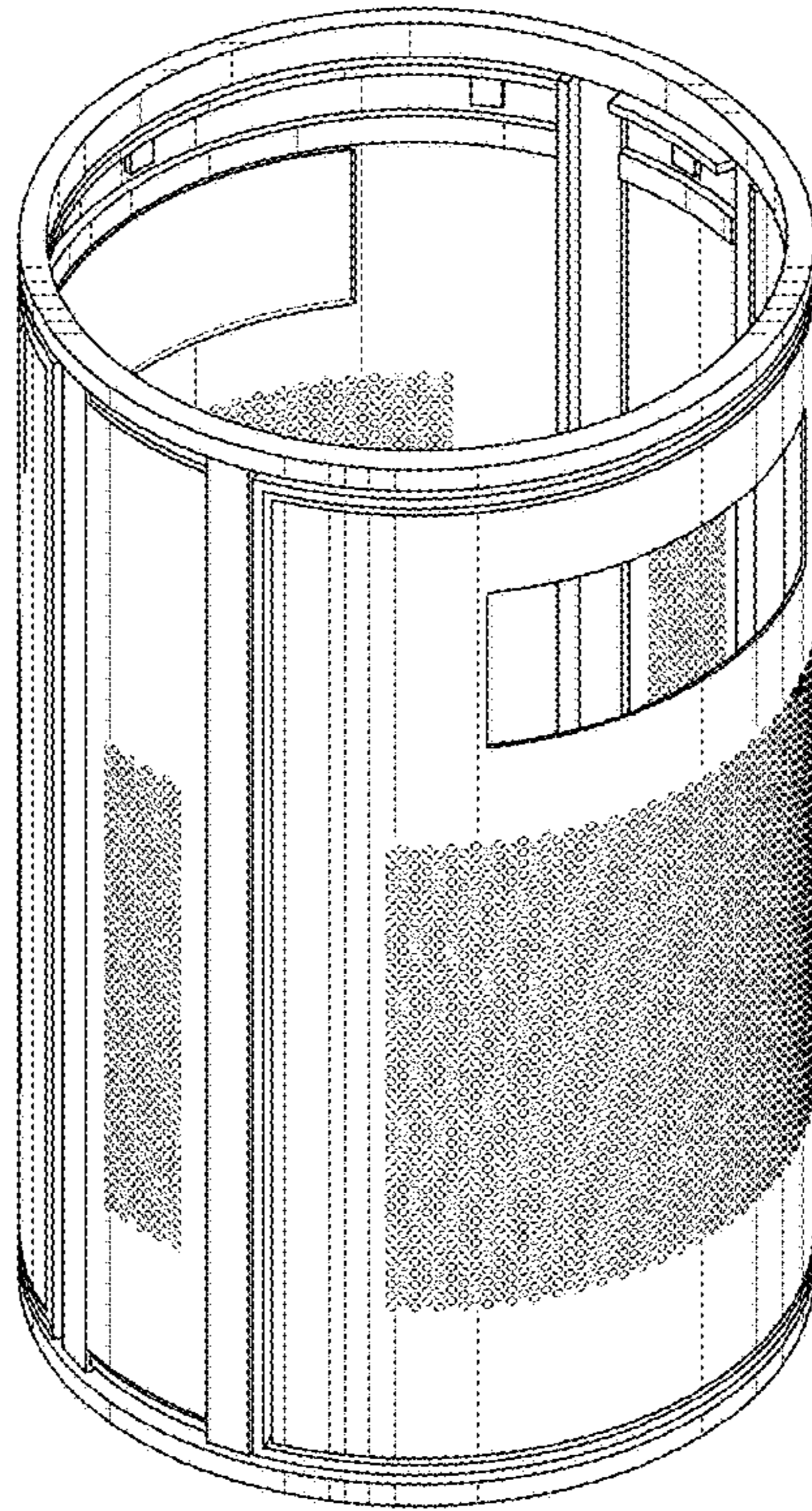


FIG. 1

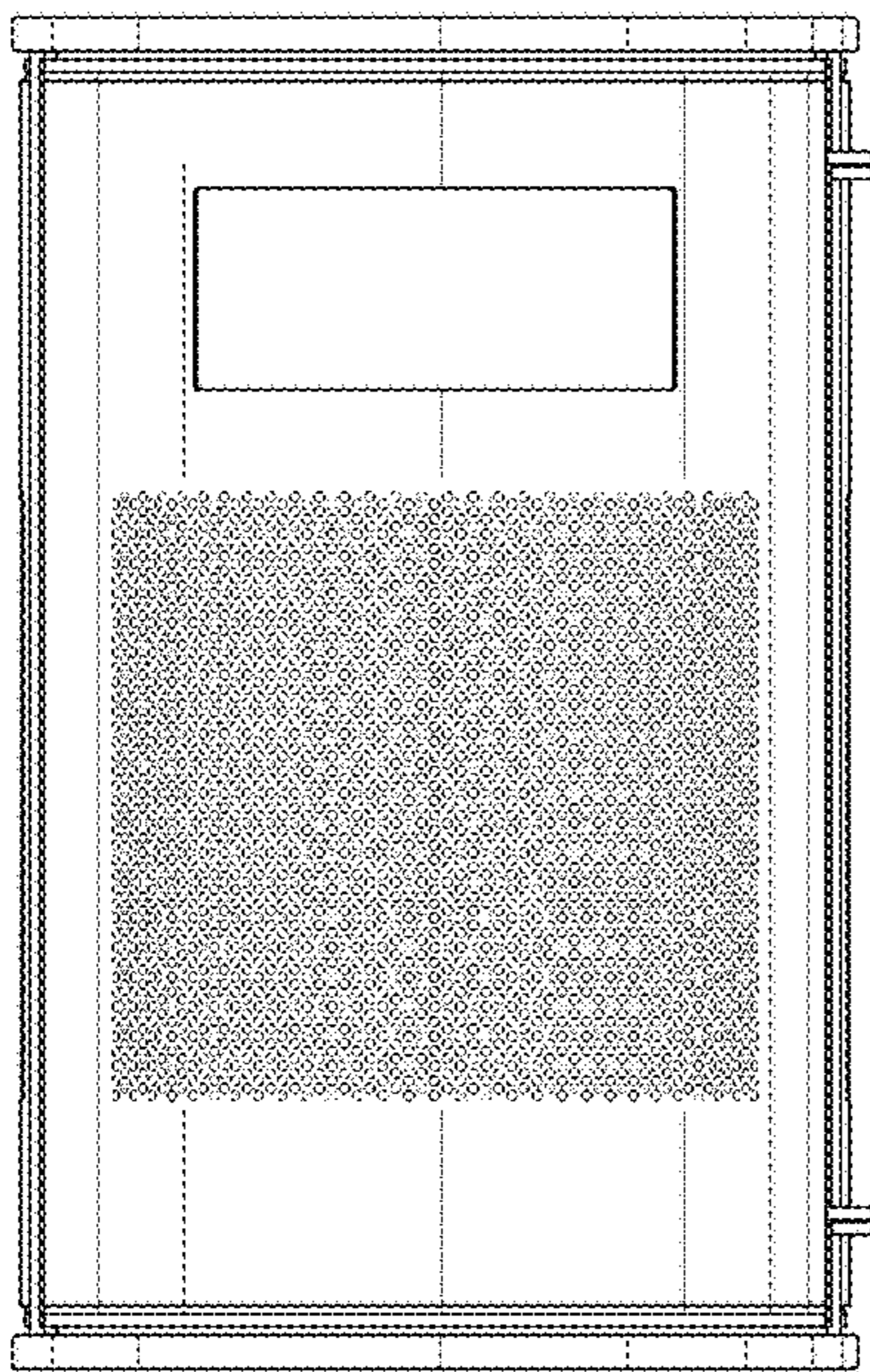


FIG. 2

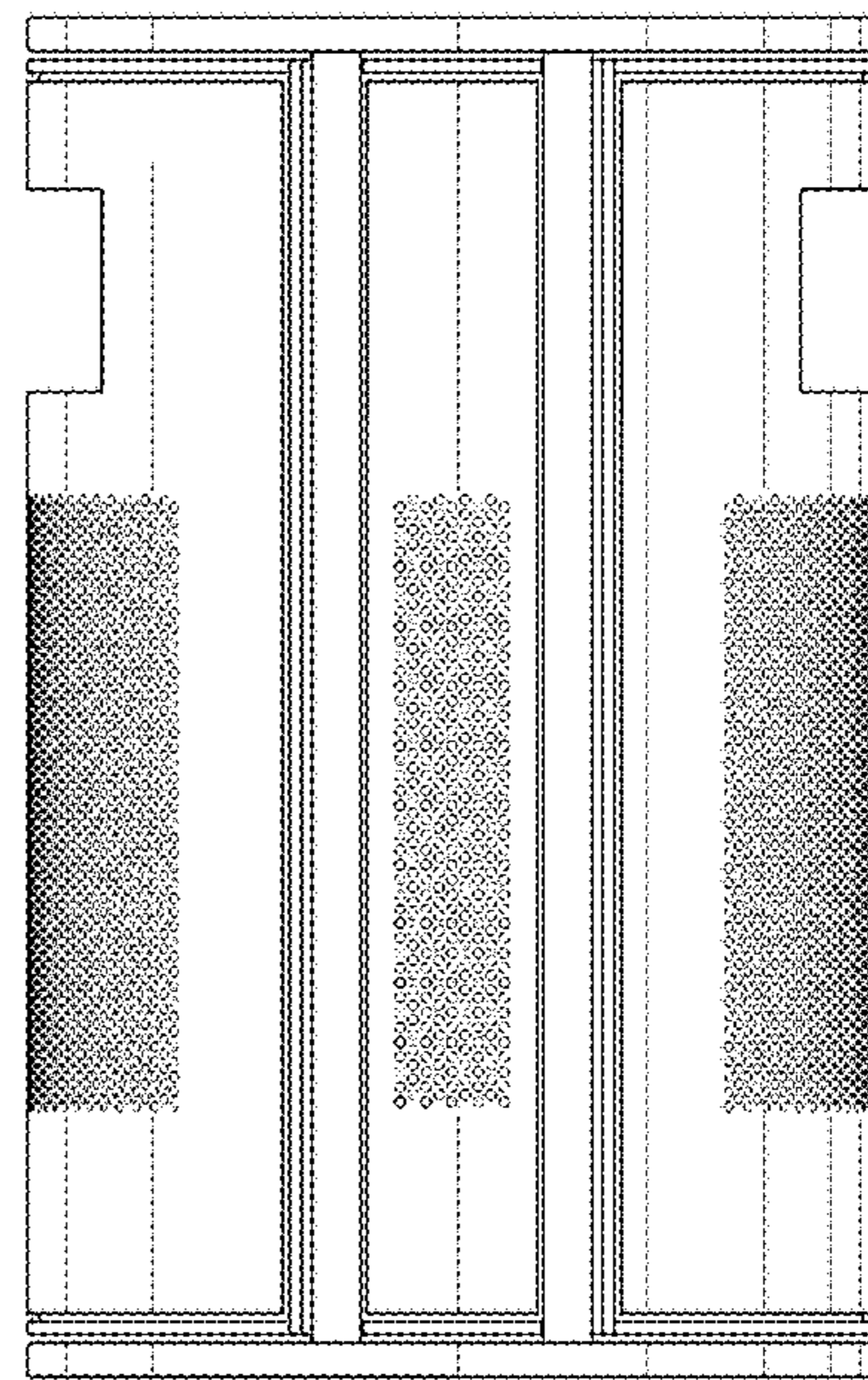


FIG. 3

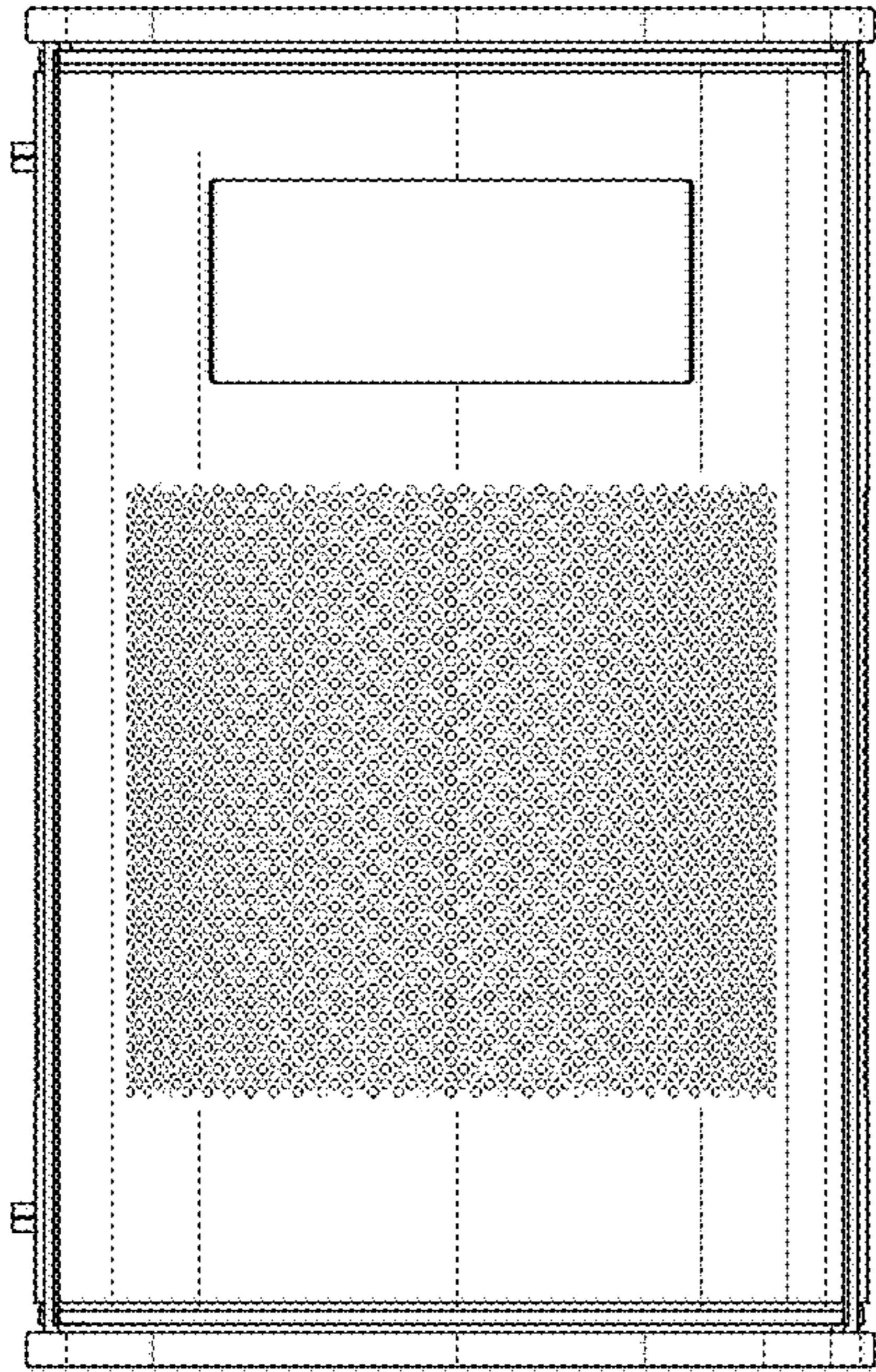


FIG. 4

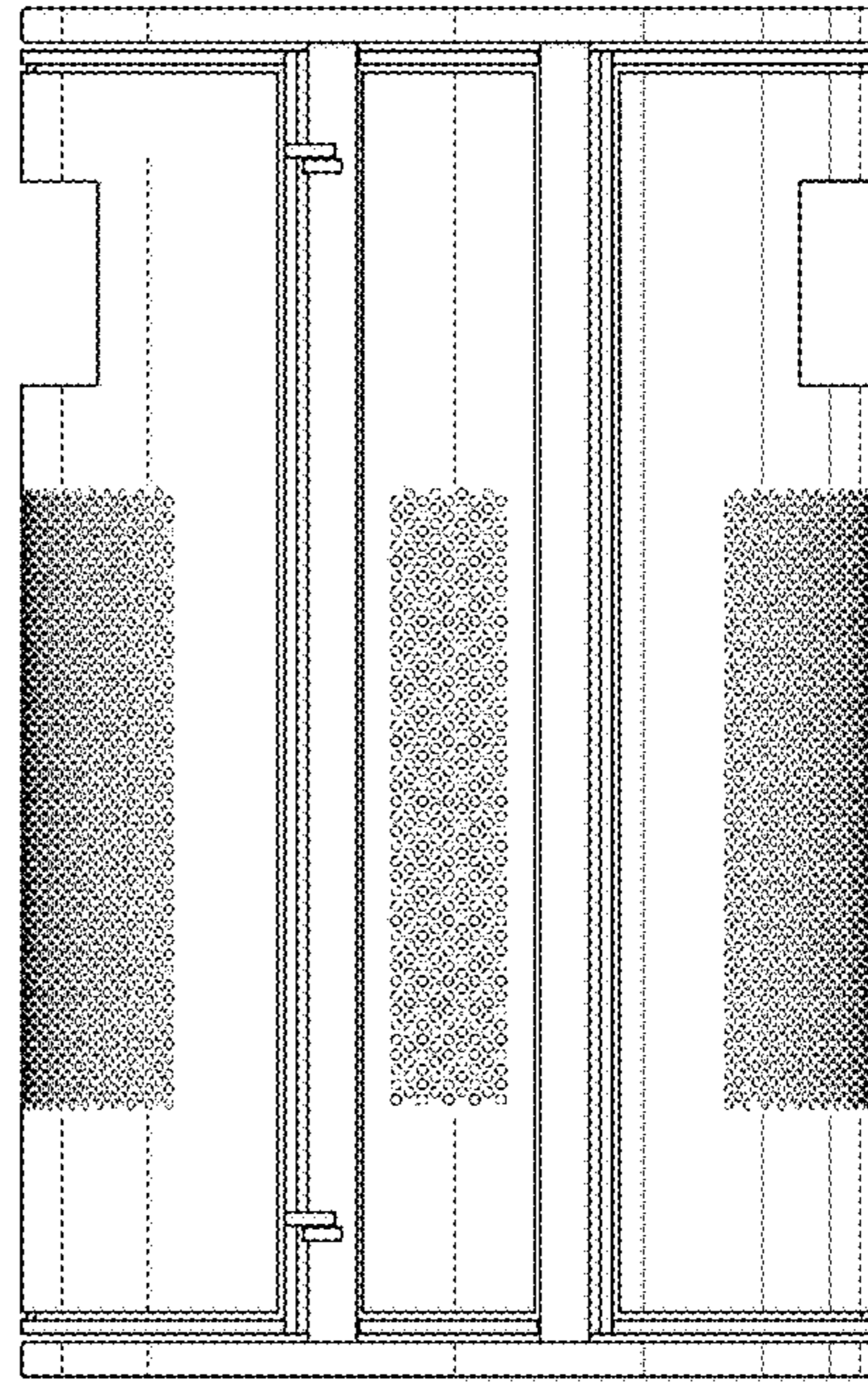


FIG. 5

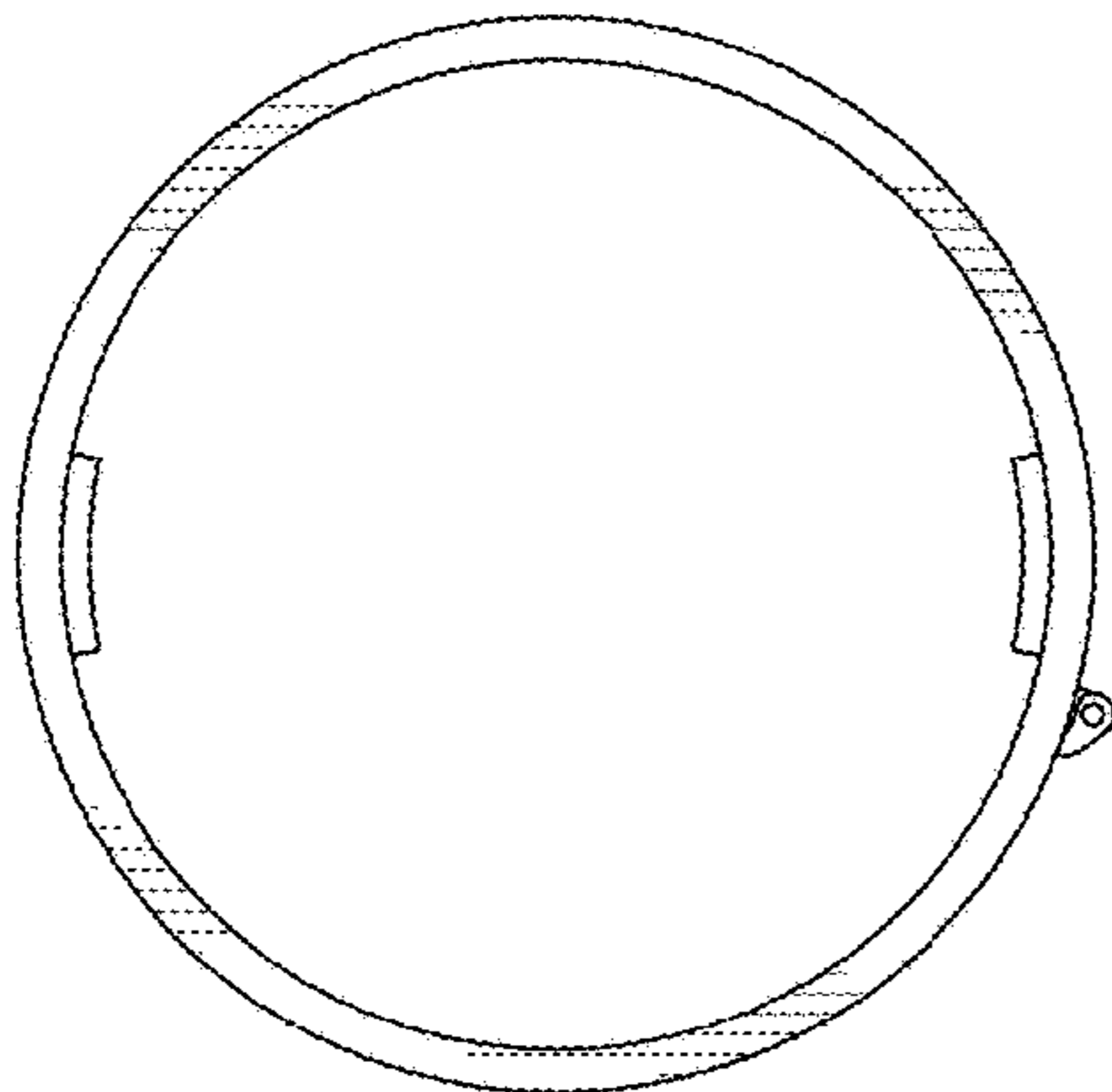


FIG. 6

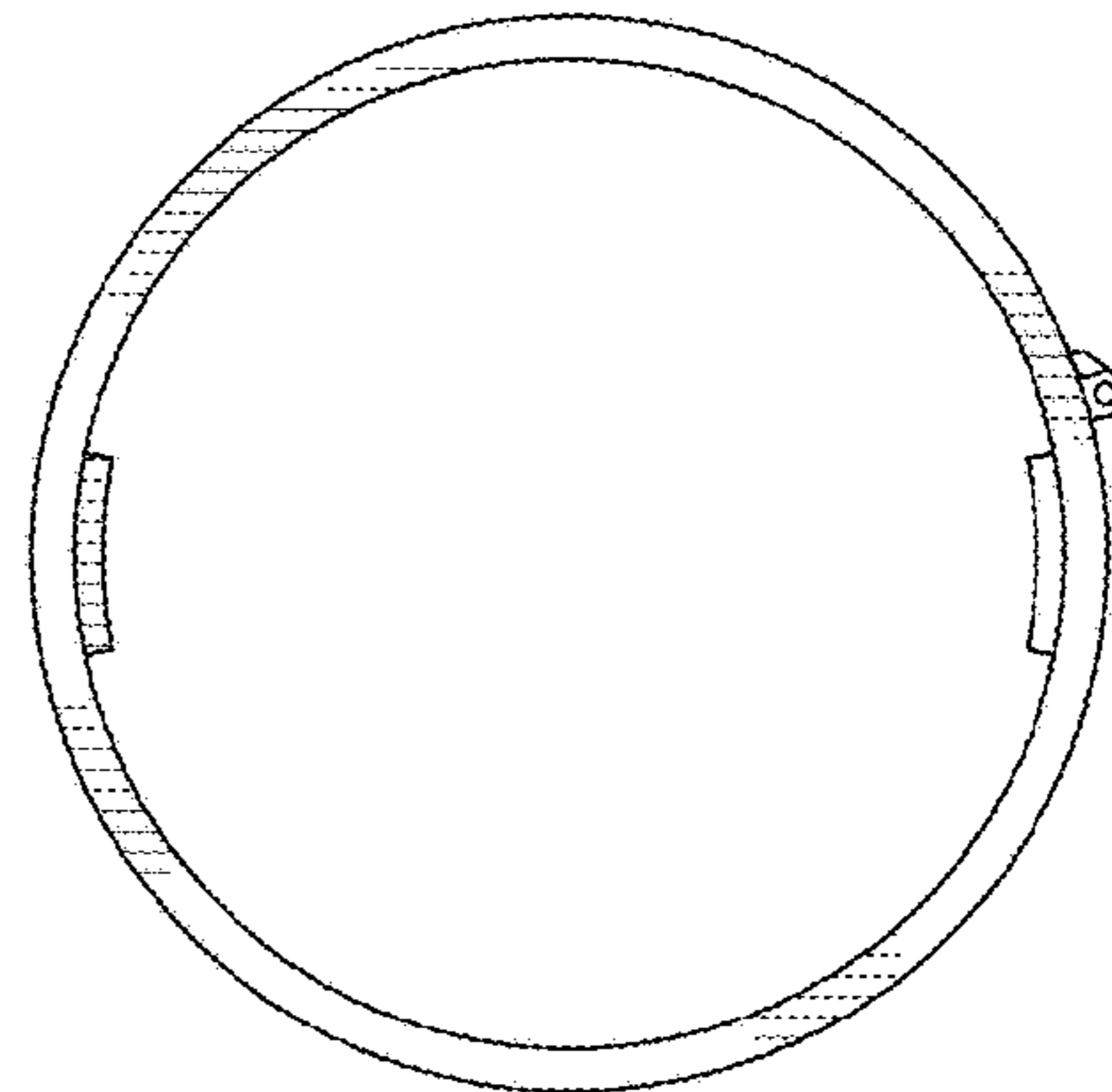


FIG. 7