



US00D785267S

(12) **United States Design Patent** (10) **Patent No.:** **US D785,267 S**
Bechtold, Jr. (45) **Date of Patent:** **** Apr. 25, 2017**

(54) **FLEXIBLE REUSABLE BUCKET COVER**

D703,898 S * 4/2014 Neu D32/54
D717,010 S * 11/2014 Jackson D32/53
D726,984 S * 4/2015 Lewison D32/53

(71) Applicant: **Joseph A Bechtold, Jr.**, Shaker Heights, OH (US)

* cited by examiner

(72) Inventor: **Joseph A Bechtold, Jr.**, Shaker Heights, OH (US)

Primary Examiner — Robin V Webster
(74) *Attorney, Agent, or Firm* — David A. Burge

(**) Term: **15 Years**

(57) **CLAIM**

I claim the ornamental design for a flexible reusable bucket cover, as shown and described.

(21) Appl. No.: **29/505,978**

DESCRIPTION

(22) Filed: **May 10, 2016**

(51) **LOC (10) Cl.** **07-07**

(52) **U.S. Cl.**
USPC **D32/53**

(58) **Field of Classification Search**
USPC D32/53, 53.1, 54; 220/570, 904;
15/260–264
CPC A47L 13/142; A47L 13/58
See application file for complete search history.

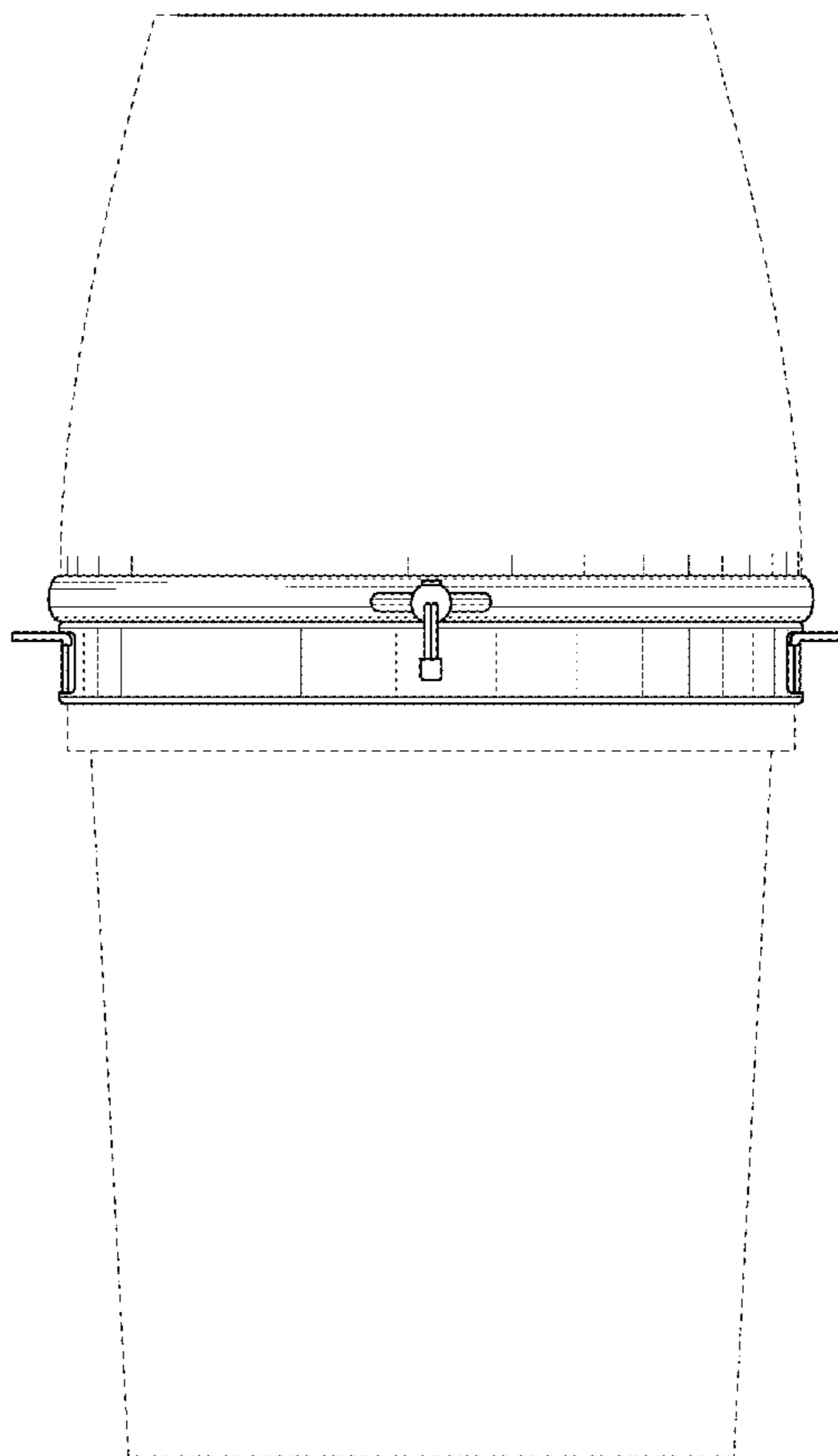
FIG. 1 is a front view thereof;
FIG. 2 is a rear view thereof;
FIG. 3 is a left side view thereof, it being understood that a right side view is identical hereto but a left-to-right reverse image thereof;
FIG. 4 is a top view thereof; and,
FIG. 5 is a bottom view thereof, with broken lines depicting interior portions that form no part of the claimed design.
The design consists of uppermost and lowermost portions of the flexible reusable bucket cover as depicted by solid lines in the accompanying drawings.
The broken line showing of the top cover and bottom portion of the bucket is included for the purpose of illustrating and forms no part of the claimed design.

(56) **References Cited**

U.S. PATENT DOCUMENTS

D236,320 S * 8/1975 Renou D32/53
D289,455 S * 4/1987 Freiler D32/53
D590,561 S * 4/2009 Baltz D32/53
D688,018 S * 8/2013 Duquenoy D32/53

1 Claim, 4 Drawing Sheets



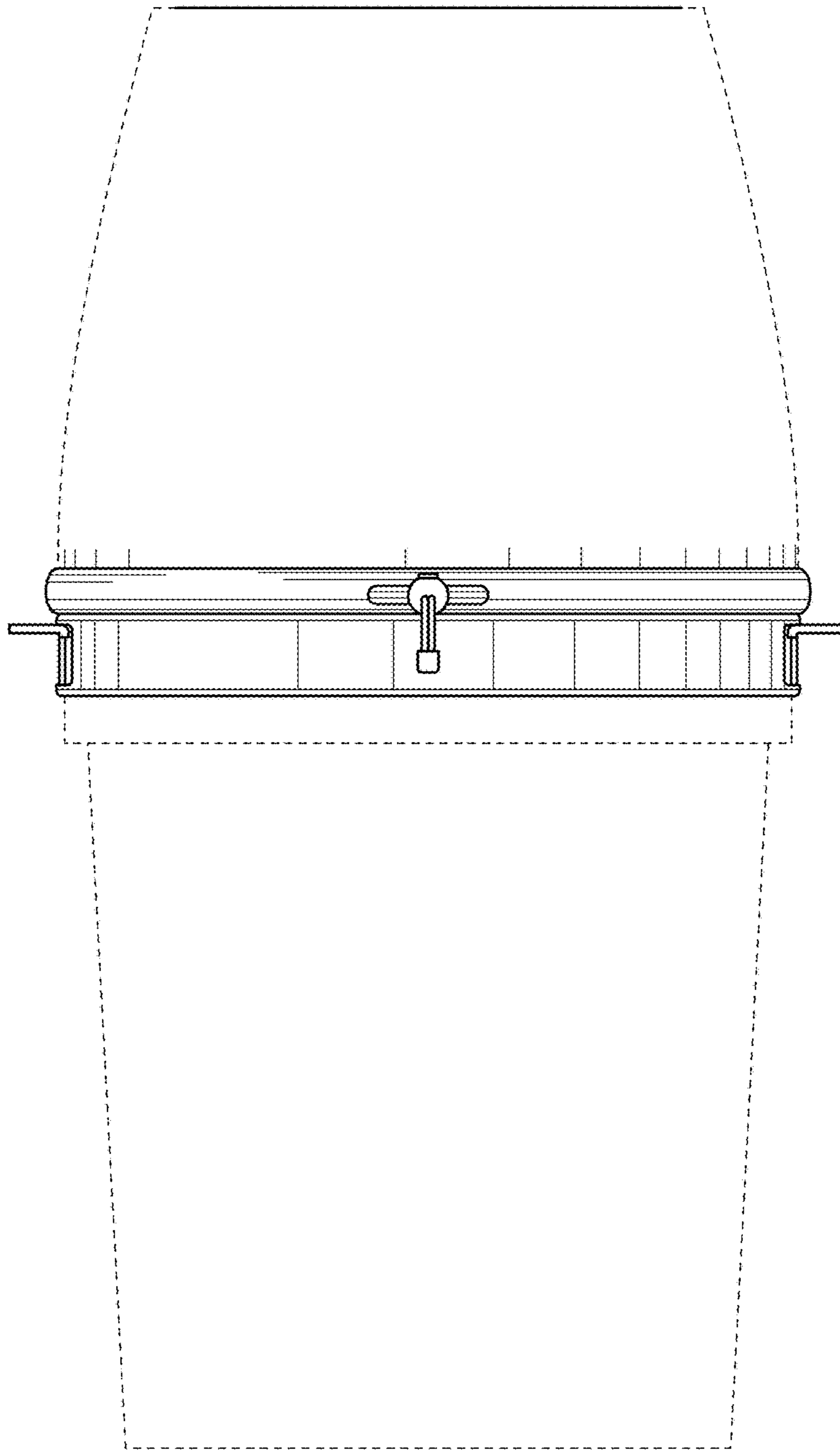


FIG. 1

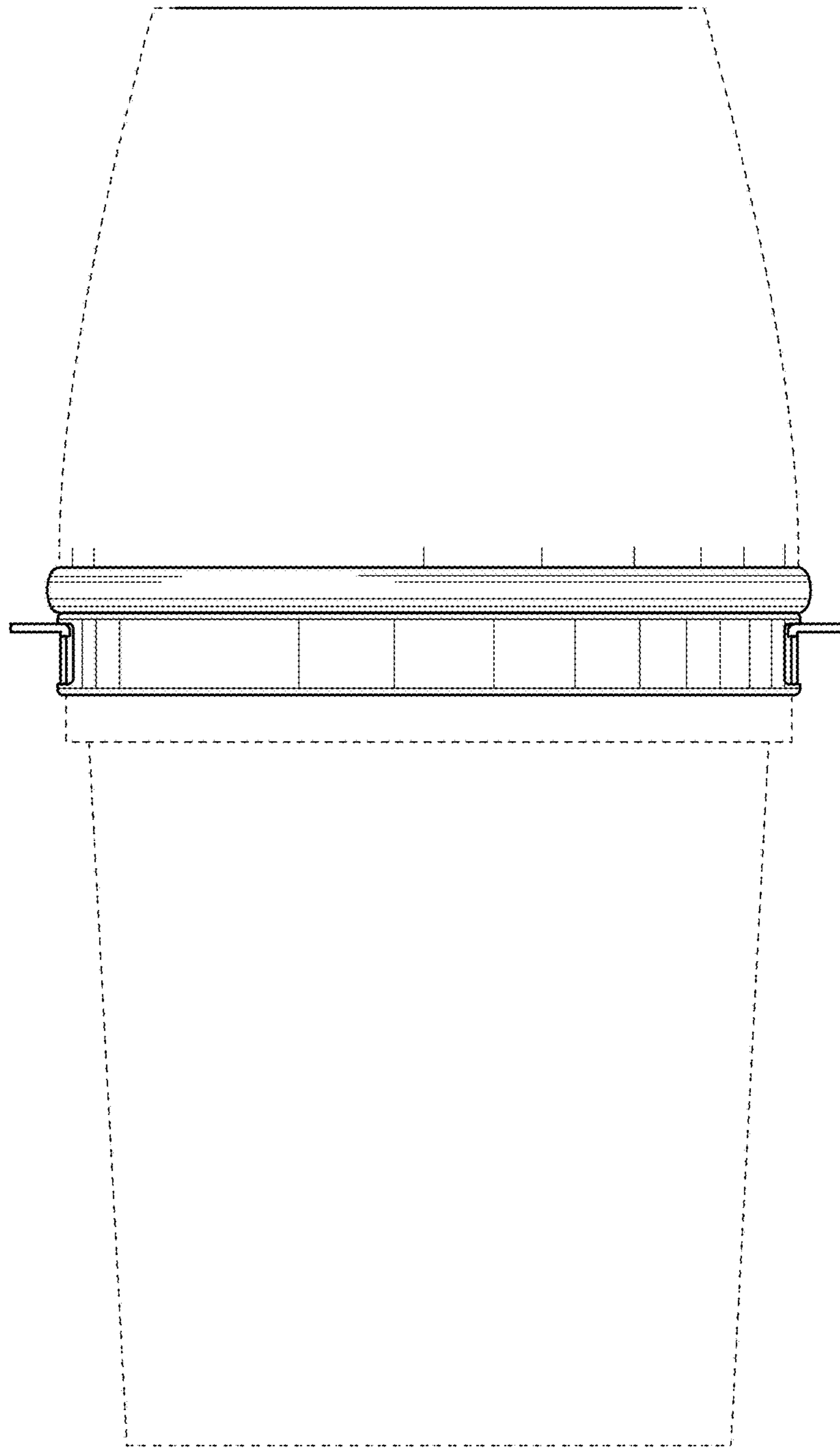


FIG. 2

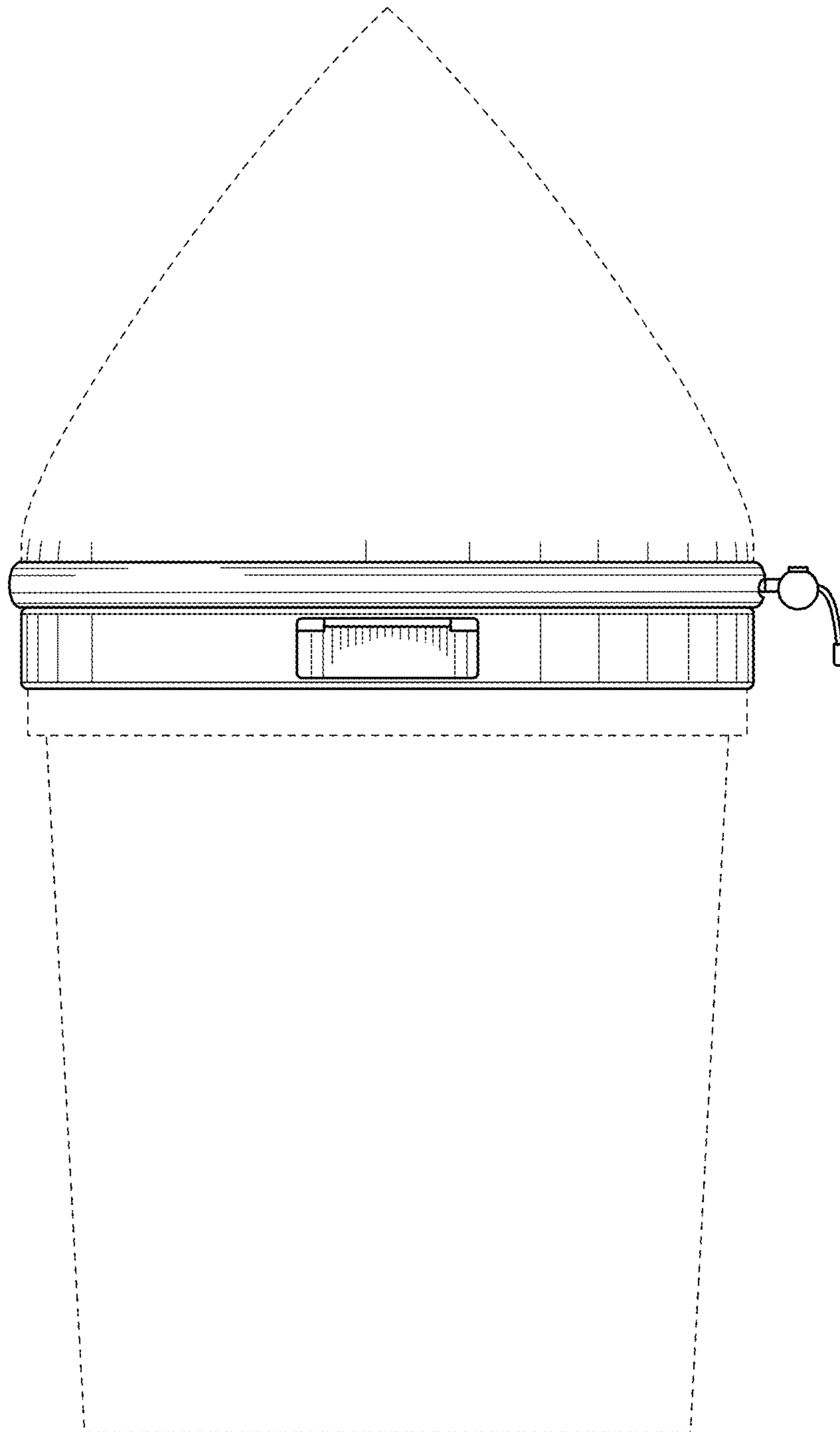


FIG. 3

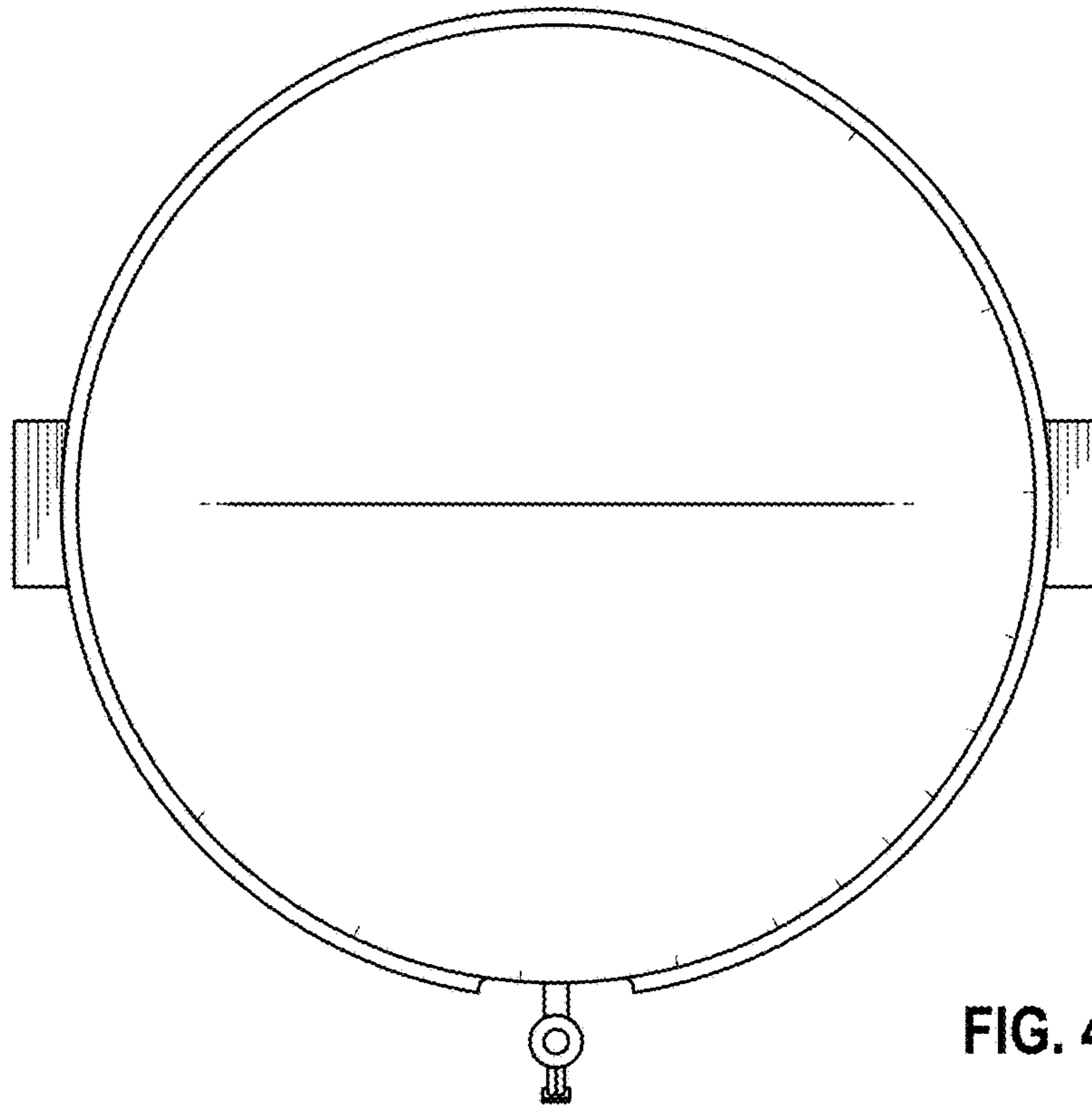


FIG. 4

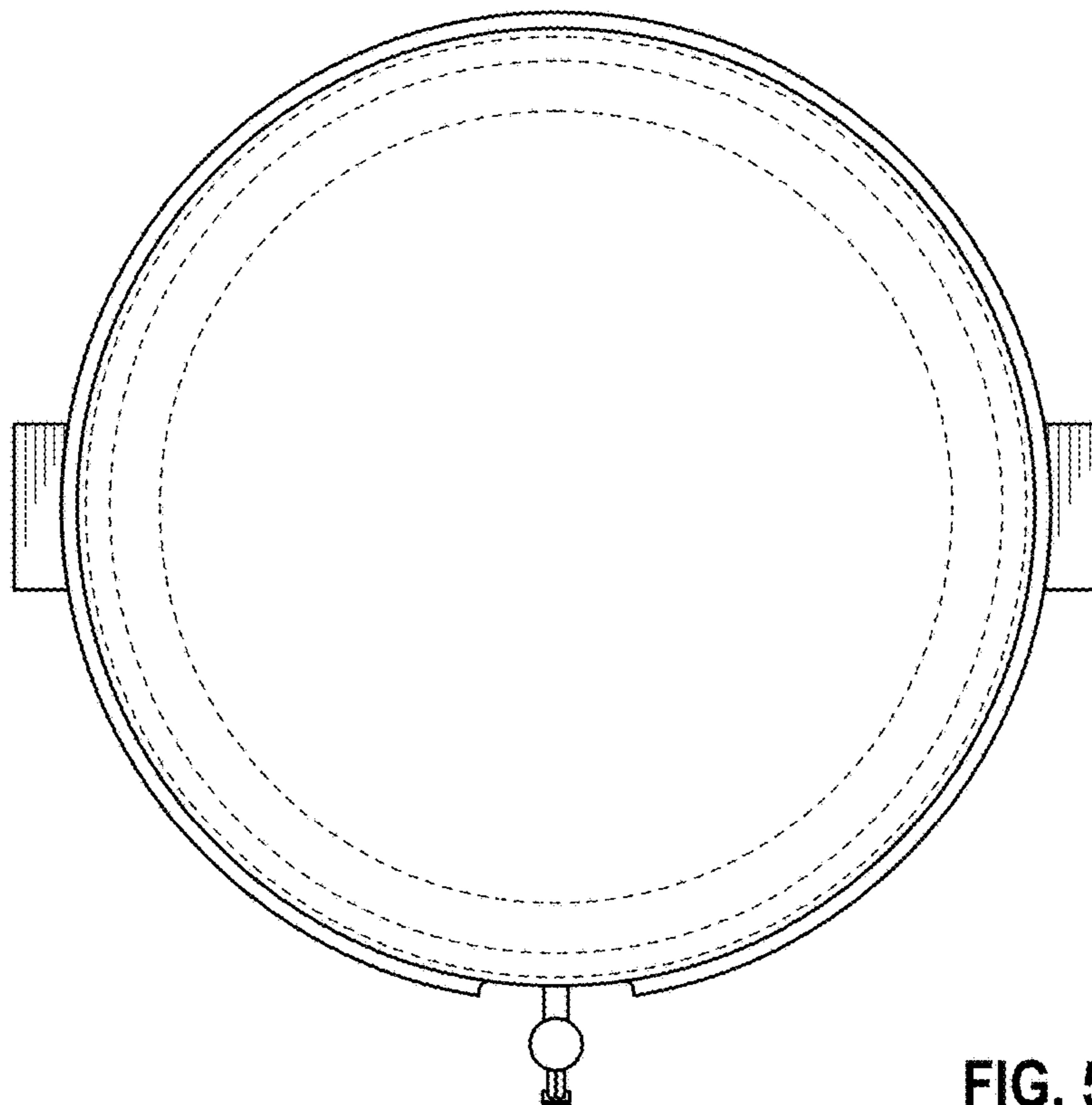


FIG. 5