



US00D785264S

(12) **United States Design Patent**
Webster

(10) **Patent No.:** **US D785,264 S**
(45) **Date of Patent:** **** Apr. 25, 2017**

(54) **VACUUM CLEANER**
(71) Applicant: **Dyson Technology Limited**, Wiltshire (GB)
(72) Inventor: **Alexander Patrick Webster**, Bristol (GB)
(73) Assignee: **Dyson Technology Limited**, Malmesbury, Wiltshire (GB)
(**) Term: **15 Years**
(21) Appl. No.: **29/551,017**
(22) Filed: **Jan. 8, 2016**

5,546,985 A * 8/1996 Bartholomew F16L 37/098
137/614.03
6,115,881 A * 9/2000 Hult A47L 9/242
15/327.1
D453,867 S * 2/2002 Zahuranec D32/31
6,354,635 B1 * 3/2002 Dyson A47L 9/242
285/308
D504,750 S * 5/2005 Leyden D32/31
D545,512 S * 6/2007 Genoa D32/31
D597,715 S * 8/2009 Barker D32/31
D610,760 S * 2/2010 Zugen D32/31
D642,754 S * 8/2011 Fjellman D32/31
D647,266 S * 10/2011 Kim D32/31
D674,158 S * 1/2013 Kim D32/31
2005/0183228 A1 * 8/2005 Snyder A47L 9/242
15/314
2012/0312409 A1 * 12/2012 Yamashita A47L 9/242
138/109

(30) **Foreign Application Priority Data**

Dec. 10, 2015 (EM) 002904508-0007

(51) **LOC (10) Cl.** **15-05**

(52) **U.S. Cl.**
USPC **D32/31**

(58) **Field of Classification Search**
USPC D32/31-33, 17
CPC . D06F 87/00; A47L 5/24; A47L 5/362; A47L 5/365; A47L 11/34; A47L 11/4044; A47L 11/4086; A47L 9/02; A47L 9/0461; A47L 9/0693; A47L 9/06; A47L 9/2857; A47L 9/325; A47L 9/242; A47L 7/009; F16L 37/34; F16L 37/088; F16L 37/413
See application file for complete search history.

(56) **References Cited**

U.S. PATENT DOCUMENTS

4,964,189 A * 10/1990 Rau A47L 9/242
15/327.2
D314,848 S * 2/1991 Foldes D32/31

* cited by examiner

Primary Examiner — Ruth McInroy

(74) *Attorney, Agent, or Firm* — Morrison & Foerster LLP

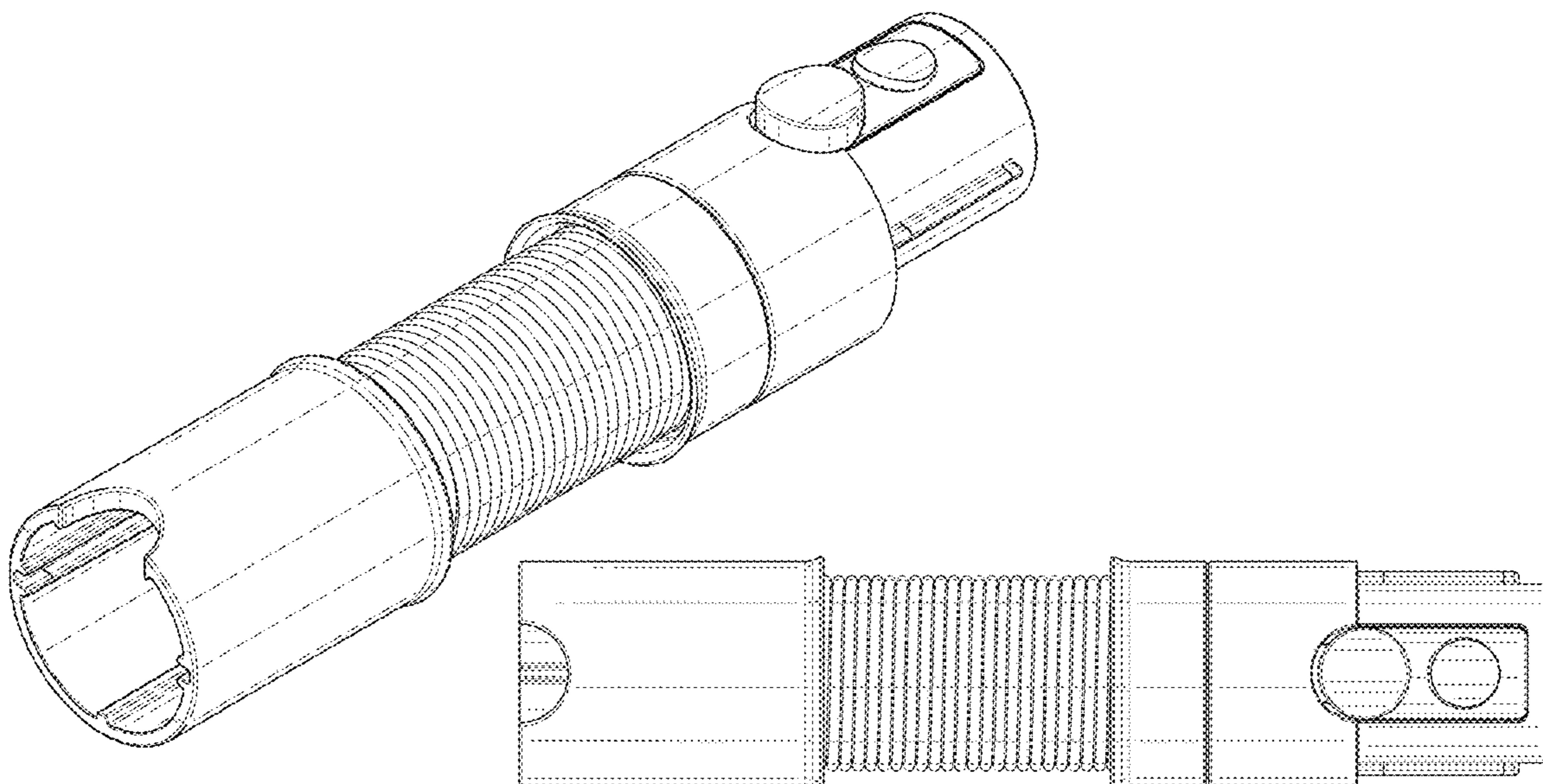
(57) **CLAIM**

I claim the ornamental design for a vacuum cleaner, as shown and described.

DESCRIPTION

FIG. 1 is a perspective view of a vacuum cleaner showing our new design;
FIG. 2 is an end view thereof;
FIG. 3 is an end view of the opposite end of FIG. 2;
FIG. 4 is a side view thereof;
FIG. 5 is a side view of the opposite side of FIG. 4;
FIG. 6 is a top view thereof; and,
FIG. 7 is a bottom view thereof.

1 Claim, 7 Drawing Sheets



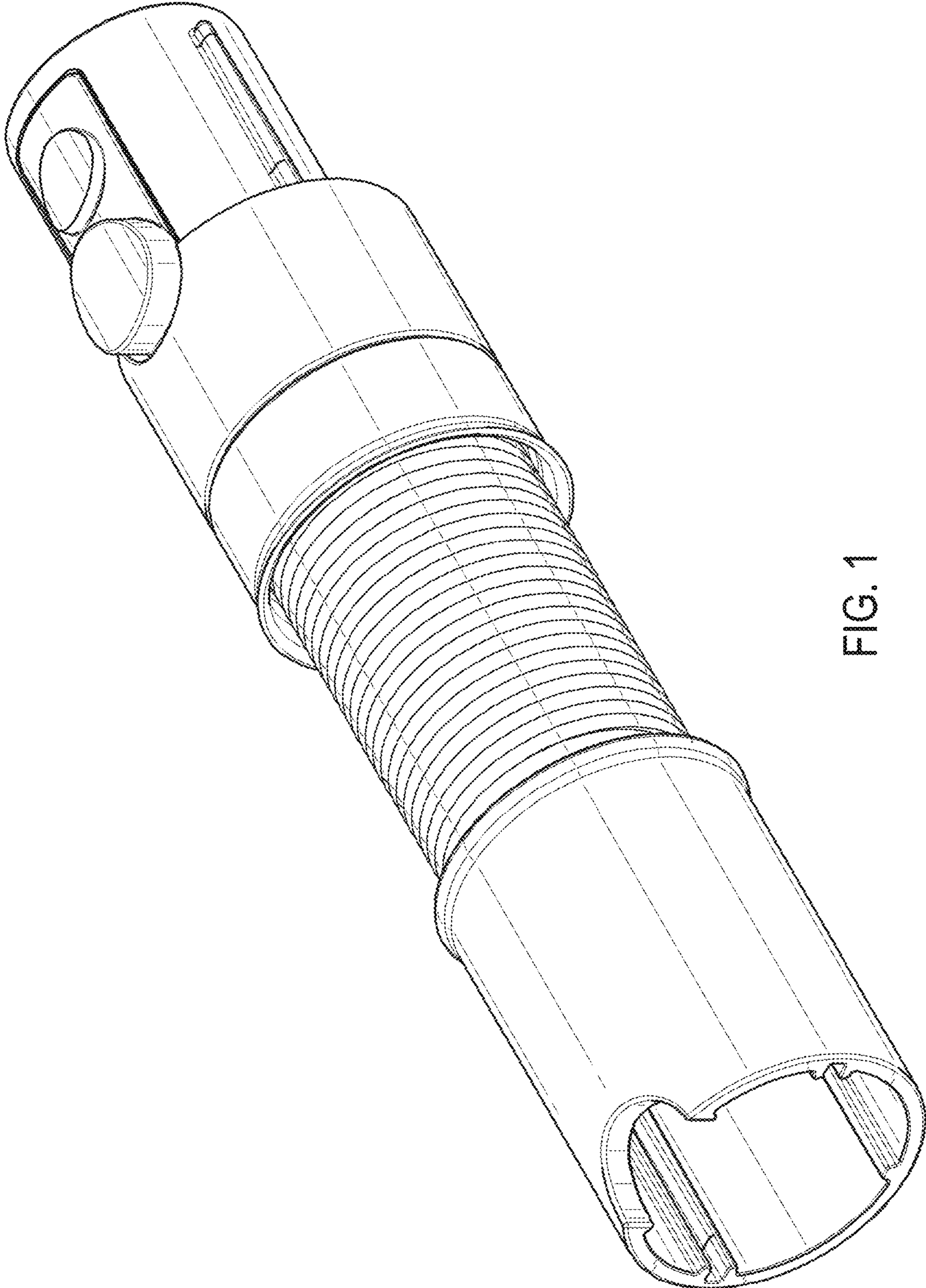


FIG. 1

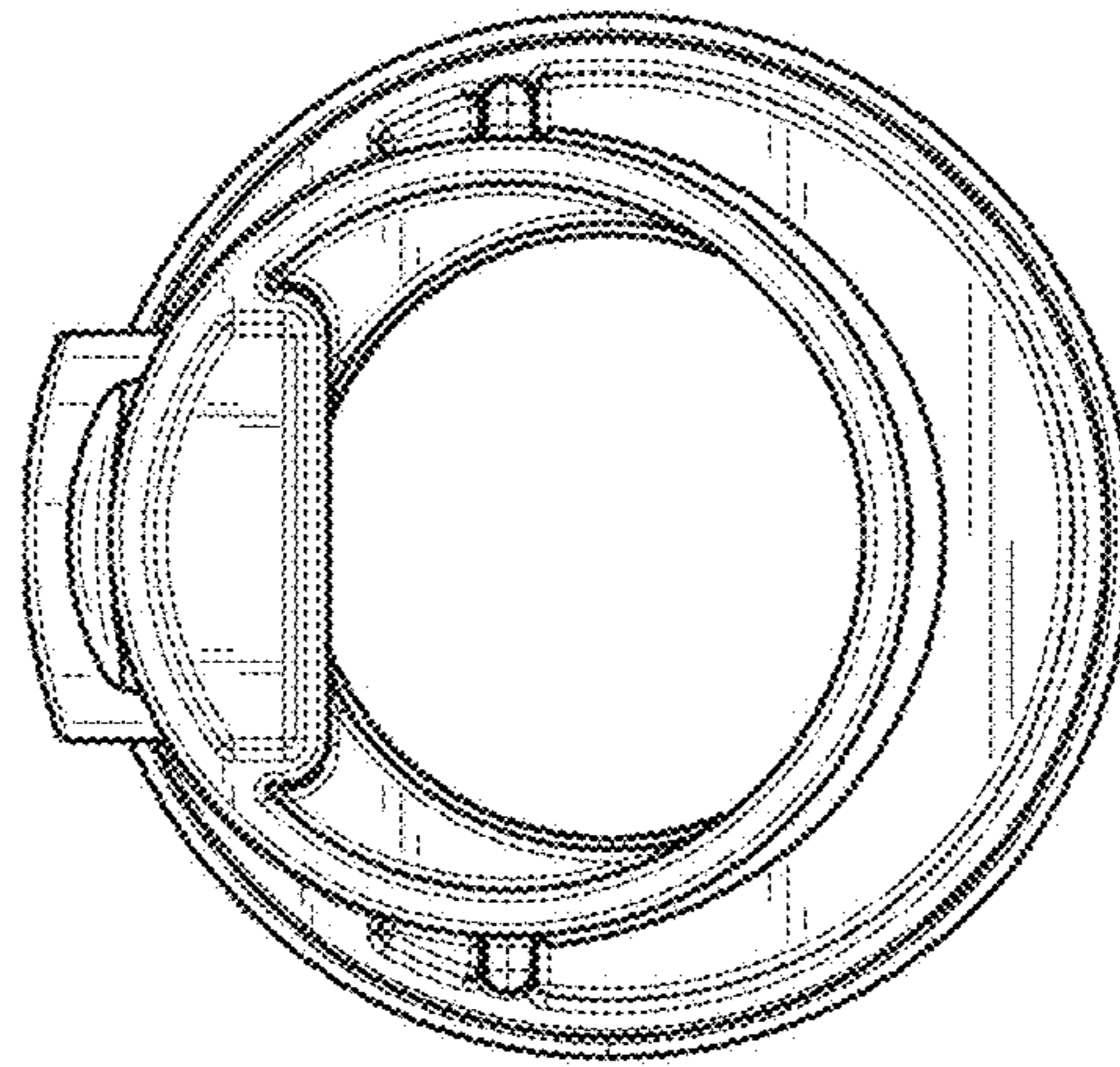


FIG. 2

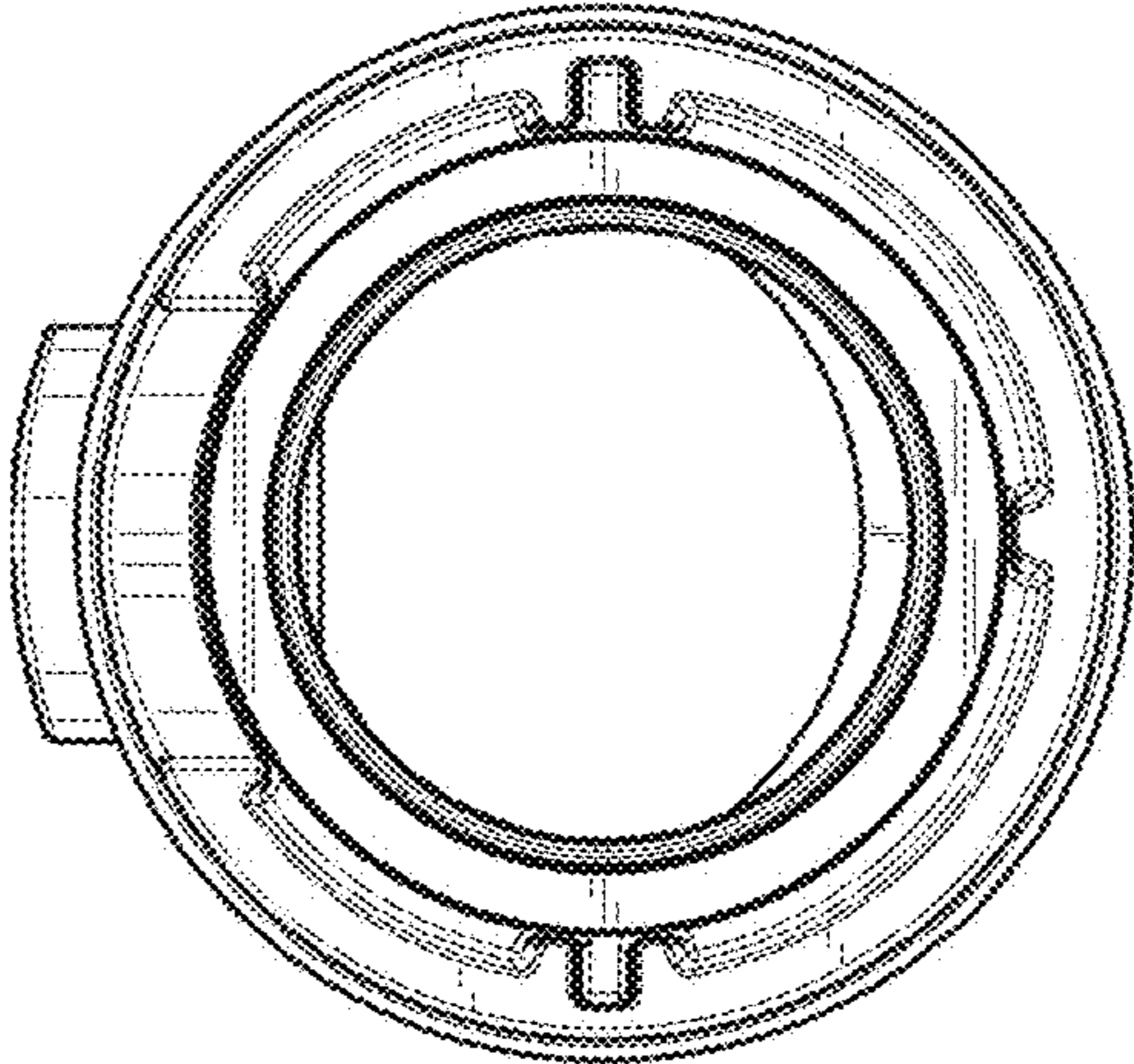


FIG. 3

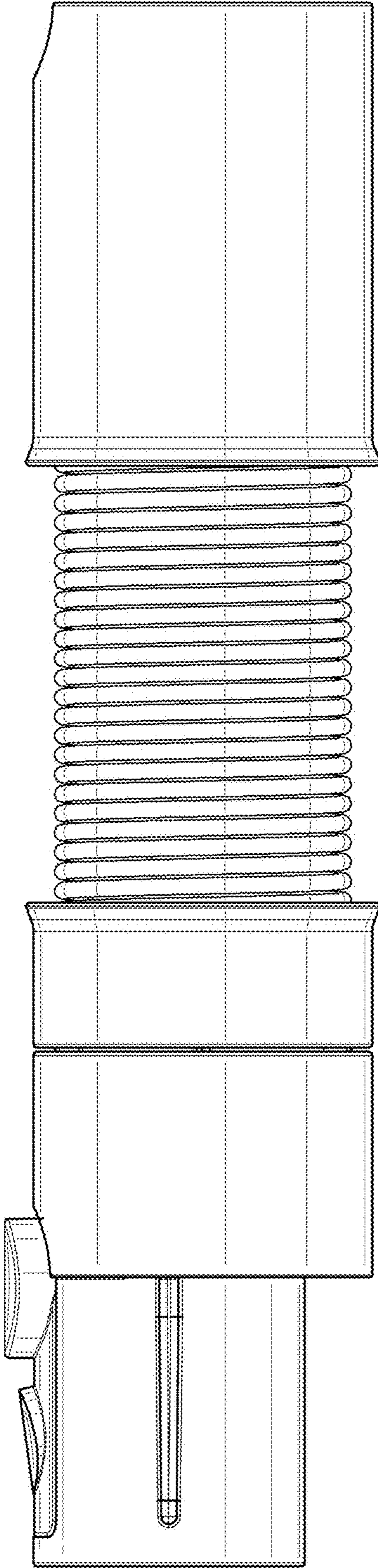


FIG. 4

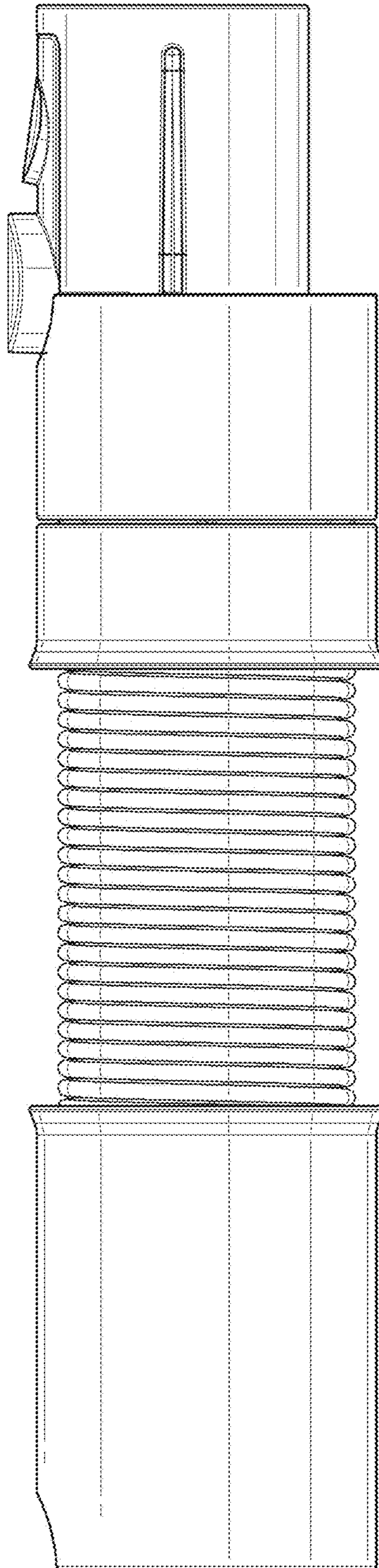


FIG. 5

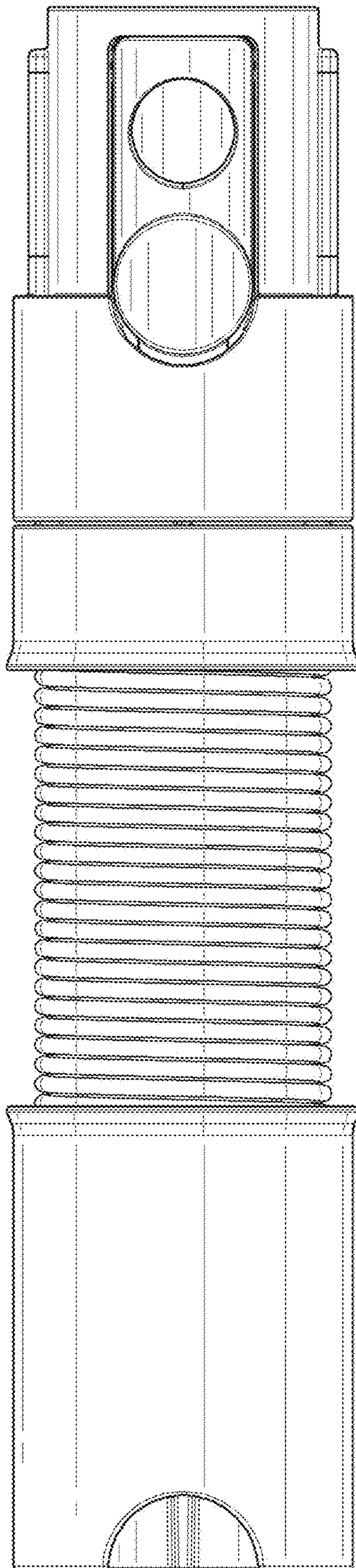


FIG. 6

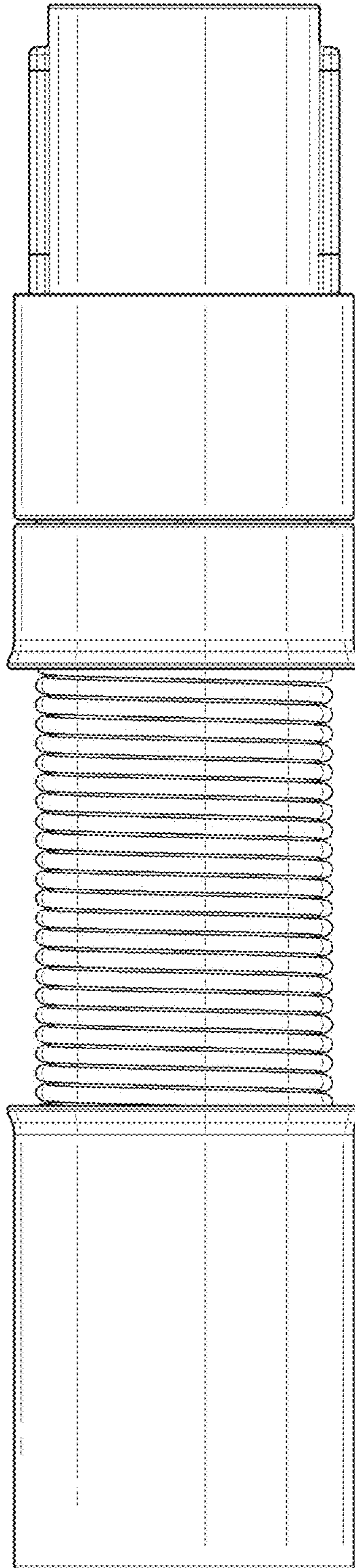


FIG. 7