



US00D785260S

(12) **United States Design Patent**
Lin et al.

(10) **Patent No.:** **US D785,260 S**
(45) **Date of Patent:** **** Apr. 25, 2017**

(54) **POOL CLEANER**

(71) Applicant: **Intex Recreation Corp.**, Long Beach, CA (US)

(72) Inventors: **Hua Hsiang Lin**, Fujian (CN); **Yaw Yuan Hsu**, Fujian (CN)

(73) Assignee: **INTEX MARKETING LTD.**, Tortola (VG)

(**) Term: **15 Years**

(21) Appl. No.: **29/539,870**

(22) Filed: **Sep. 18, 2015**

(30) **Foreign Application Priority Data**

Apr. 14, 2015 (CN) 2015 2 0222789
May 11, 2015 (CN) 2015 2 03002827
Jul. 14, 2015 (CN) 2015 3 02523273

(51) **LOC (10) Cl.** **15-08**

(52) **U.S. Cl.**
USPC **D32/31**

(58) **Field of Classification Search**
USPC D32/17–18, 21–22, 31, 34, 25
CPC A47L 9/02; A47L 9/2842; A47L 9/0461;
A47L 5/24; A47L 5/28; A47L 7/0038;
A47L 11/34; E04H 4/1654; E04H 4/169;
E04H 4/1609; E04H 4/1618; E04H
4/1636; E04H 4/16; E01H 1/0836
See application file for complete search history.

(56) **References Cited**

U.S. PATENT DOCUMENTS

4,962,559 A 10/1990 Schuman
5,317,776 A 6/1994 DeMoura
5,768,734 A 6/1998 Dietrich
D405,929 S * 2/1999 Sovis D32/22
D430,364 S 8/2000 Supra
6,248,232 B1 6/2001 Stoner

D453,246 S 1/2002 Nimmo
D485,652 S 1/2004 Erlich
D487,826 S 3/2004 Supra
6,742,613 B2 6/2004 Erlich et al.
6,797,157 B2 9/2004 Erlich
D510,162 S * 9/2005 Ma D32/18
6,939,460 B2 9/2005 Erlich
6,971,136 B2 12/2005 Horvath et al.
D518,253 S 3/2006 Erlich et al.
D522,191 S 5/2006 Erlich

(Continued)

FOREIGN PATENT DOCUMENTS

GB 2015331 9/1979

OTHER PUBLICATIONS

Water Tech, “Battery Powered Pool & Spa Cleaners—Residential Products,” available at <http://watertechcorp.com/products-battery-powered.htm>, accessed Feb. 10, 2015, 5 pages.

Primary Examiner — Ruth McInroy

(74) *Attorney, Agent, or Firm* — Faegre Baker Daniels LLP

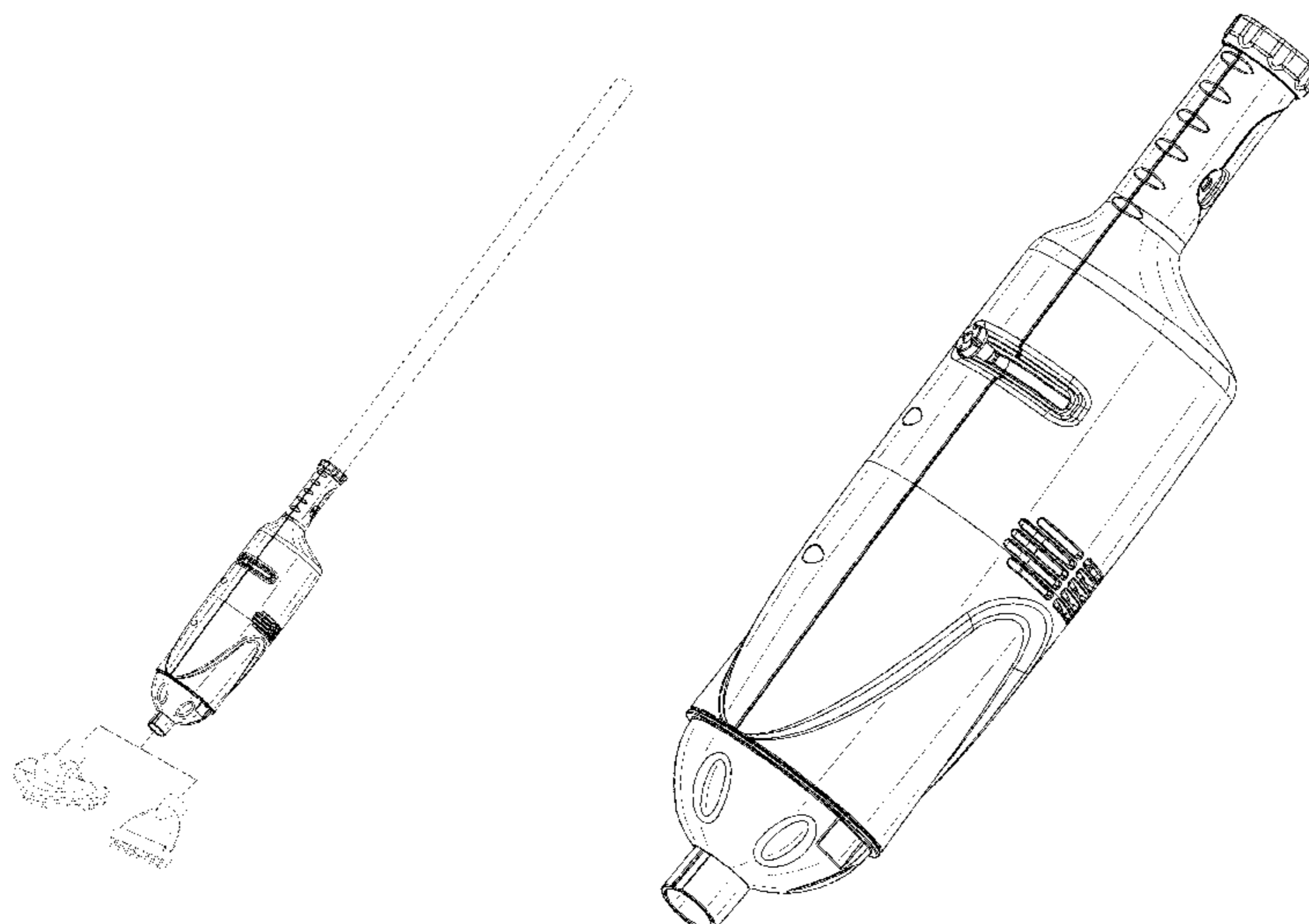
(57) **CLAIM**

We claim the ornamental design for a pool cleaner, as shown and described.

DESCRIPTION

FIG. 1 is a perspective view of a pool cleaner showing our new design;
FIG. 2 is an enlarged perspective view thereof;
FIG. 3 is an enlarged left side elevational view thereof;
FIG. 4 is an enlarged front elevational view thereof;
FIG. 5 is an enlarged right side elevational view thereof;
FIG. 6 is an enlarged rear elevational view thereof;
FIG. 7 is an enlarged top plan view thereof; and,
FIG. 8 is an enlarged bottom plan view thereof.
The broken lines in FIG. 1 are for illustrative purposes only and form no part of the claimed design.

1 Claim, 7 Drawing Sheets



(56)

References Cited

U.S. PATENT DOCUMENTS

D522,700	S	6/2006	Rademeyer	
7,060,182	B2	6/2006	Erlich et al.	
7,178,188	B1	2/2007	Jaakola	
D556,396	S	11/2007	Mah et al.	
D565,814	S *	4/2008	Ågren	D32/22
7,437,790	B1	10/2008	Ajello	
7,520,015	B1	4/2009	Ajello	
7,636,975	B2	12/2009	Mah et al.	
D608,962	S *	1/2010	Reese	D32/22
D611,665	S	3/2010	Braithwaite	
D631,625	S *	1/2011	Wada	D32/22
D636,954	S *	4/2011	Liu	D32/22
D637,779	S	5/2011	Bruneel	
D647,262	S *	10/2011	Luyckx	D32/22
8,128,815	B1	3/2012	Simmons	
D660,526	S	5/2012	Erlich et al.	
8,281,441	B1	10/2012	Erlich et al.	
8,296,891	B1	10/2012	Rowam et al.	
D682,493	S	5/2013	Erlich et al.	
D683,918	S	6/2013	Erlich et al.	
D685,542	S	7/2013	Erlich et al.	
D713,110	S	9/2014	Erlich et al.	
D720,101	S	12/2014	Erlich et al.	
2003/0101523	A1	6/2003	Lepley	
2004/0168838	A1	9/2004	Erlich et al.	
2005/0108836	A1	5/2005	Rowan et al.	
2005/0247613	A1	11/2005	Bishop et al.	
2006/0048312	A1	3/2006	Horvath et al.	
2006/0064825	A1	3/2006	Reed	
2006/0265820	A1	11/2006	Erlich et al.	
2007/0107148	A1	5/2007	Rowan et al.	
2008/0141471	A1	6/2008	Supra	
2008/0169247	A1	7/2008	Peterson et al.	

* cited by examiner

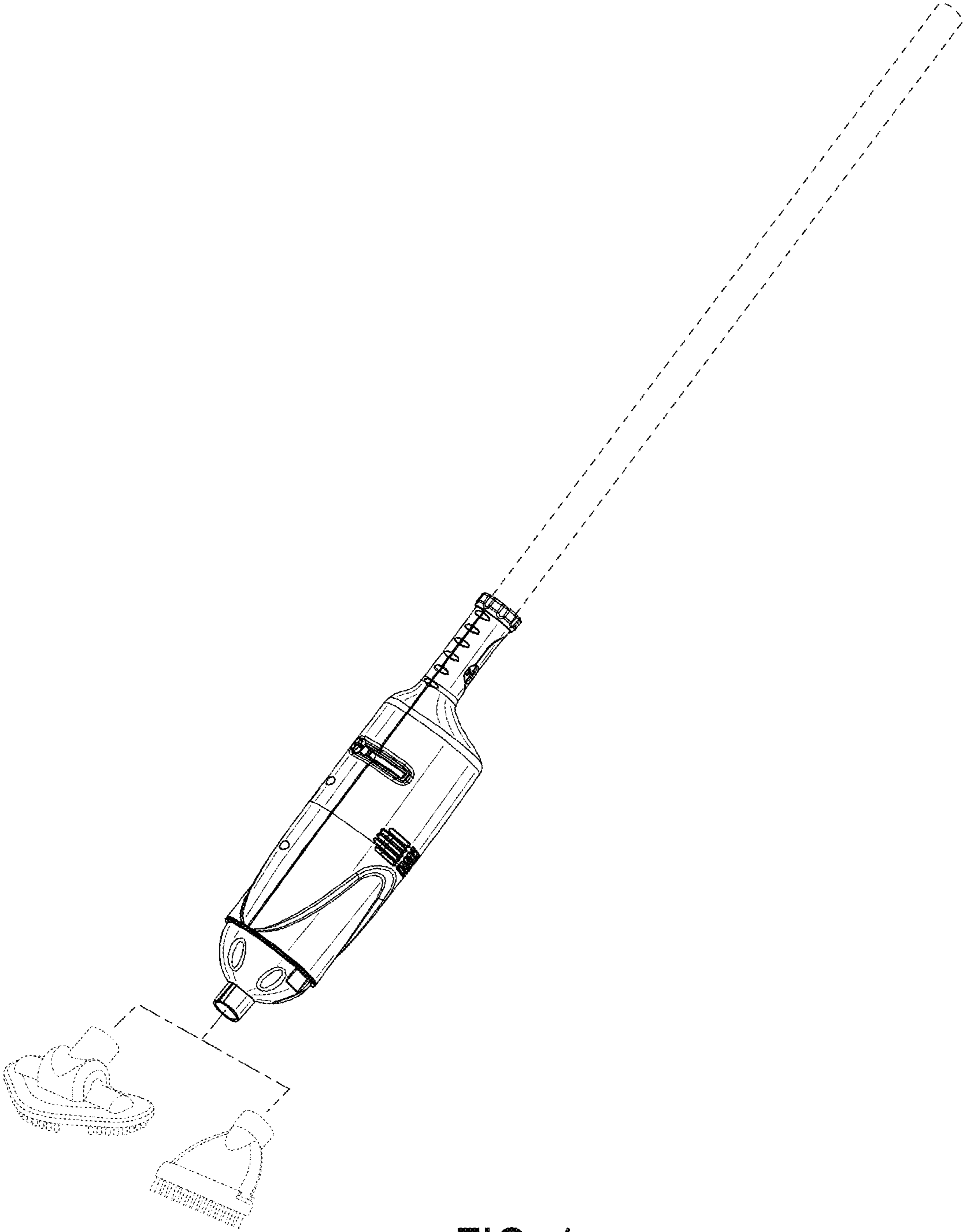


FIG. 1

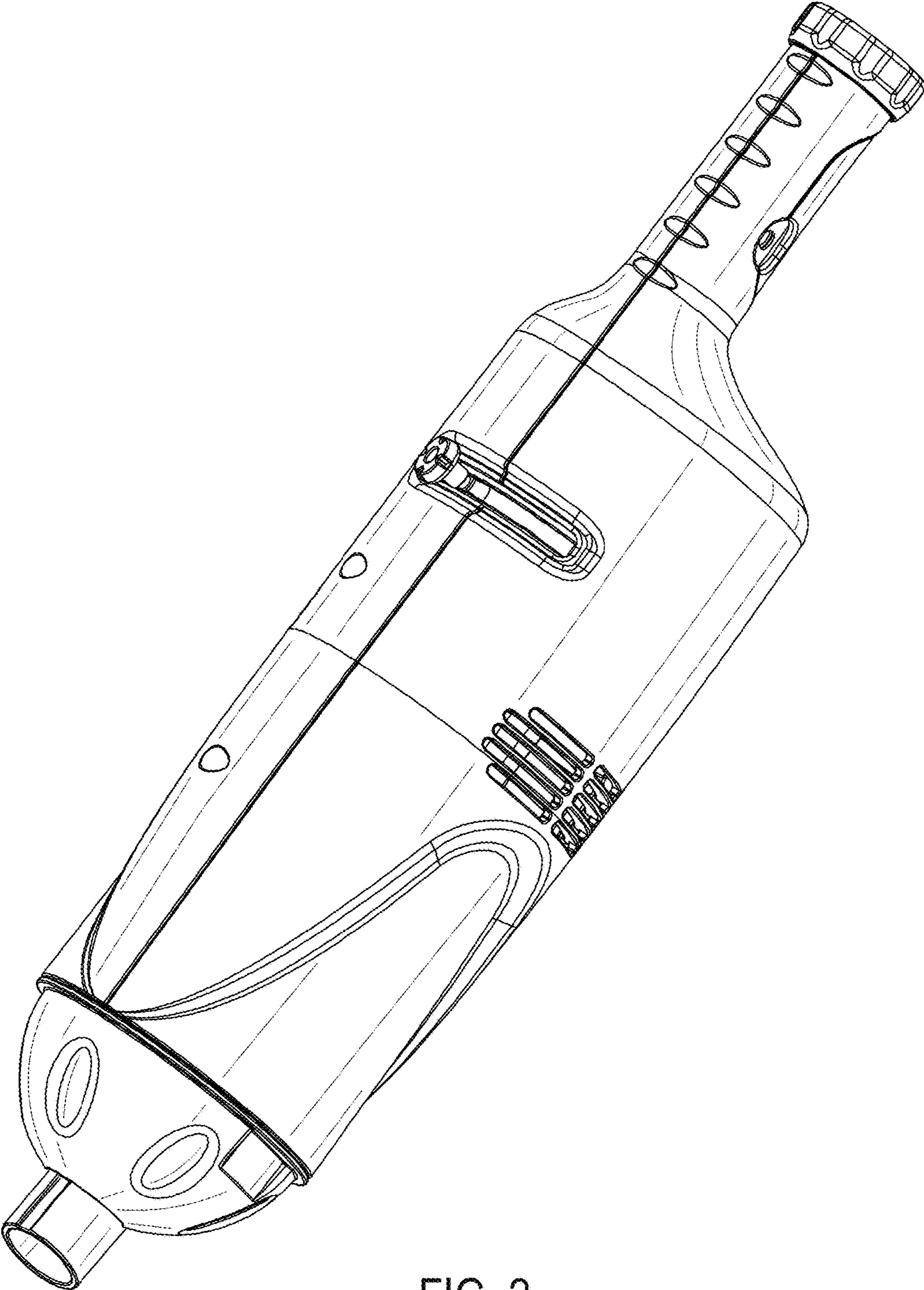


FIG. 2

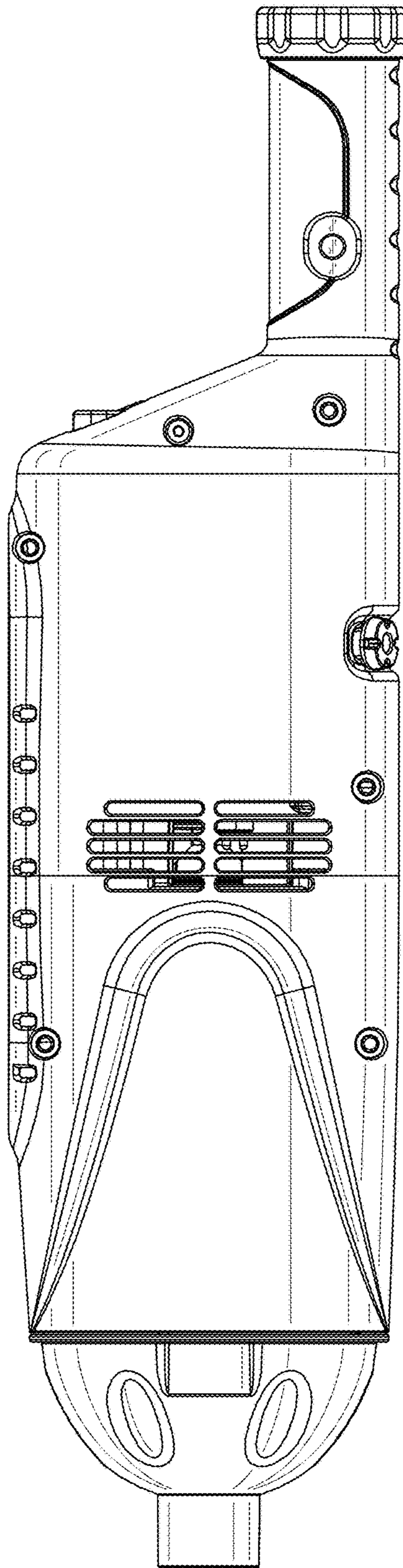


FIG. 3

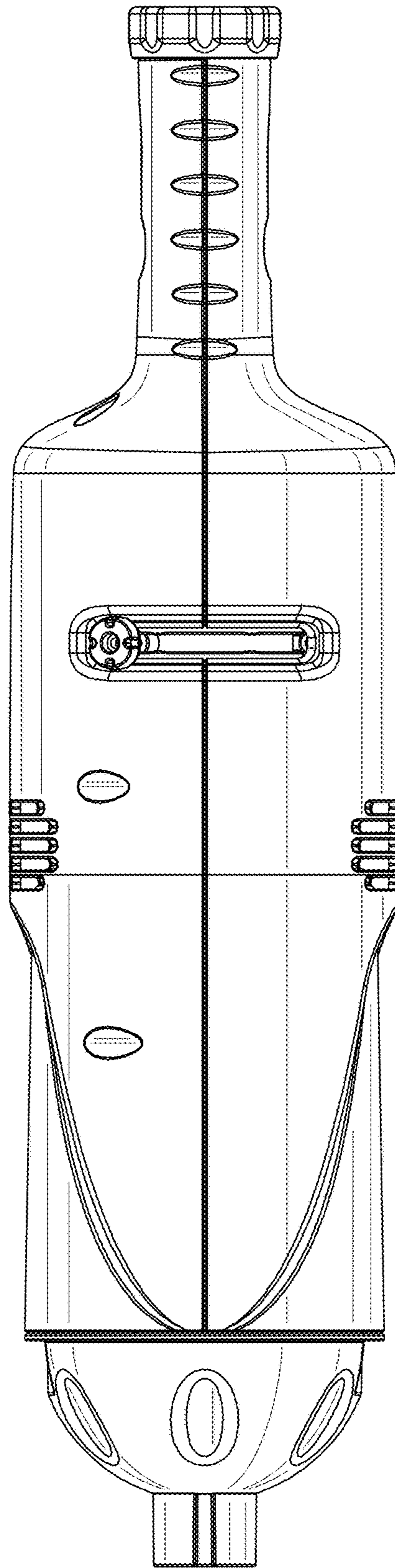


FIG. 4

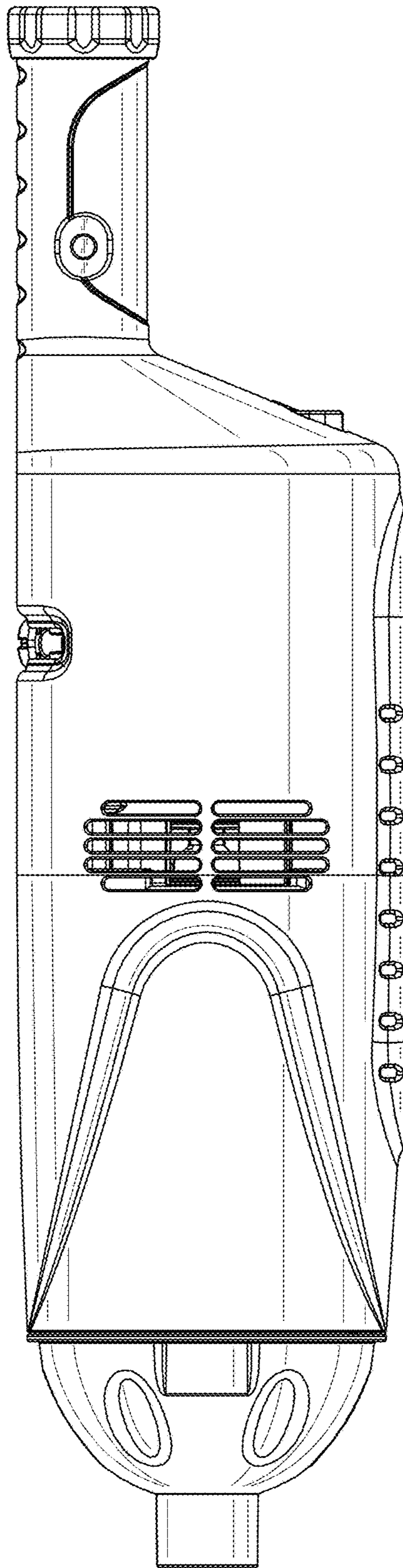


FIG. 5

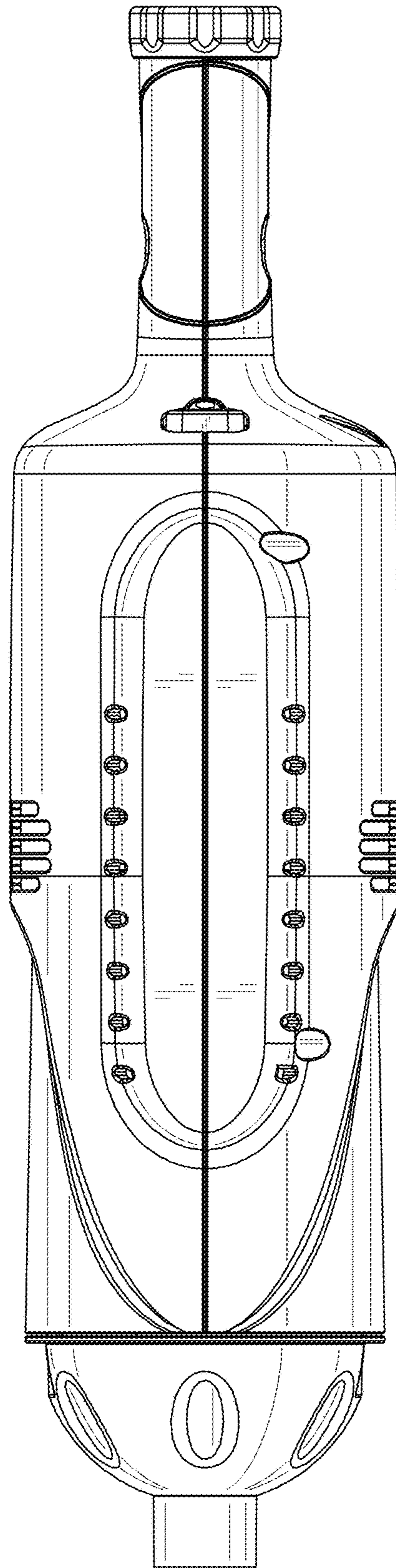


FIG. 6

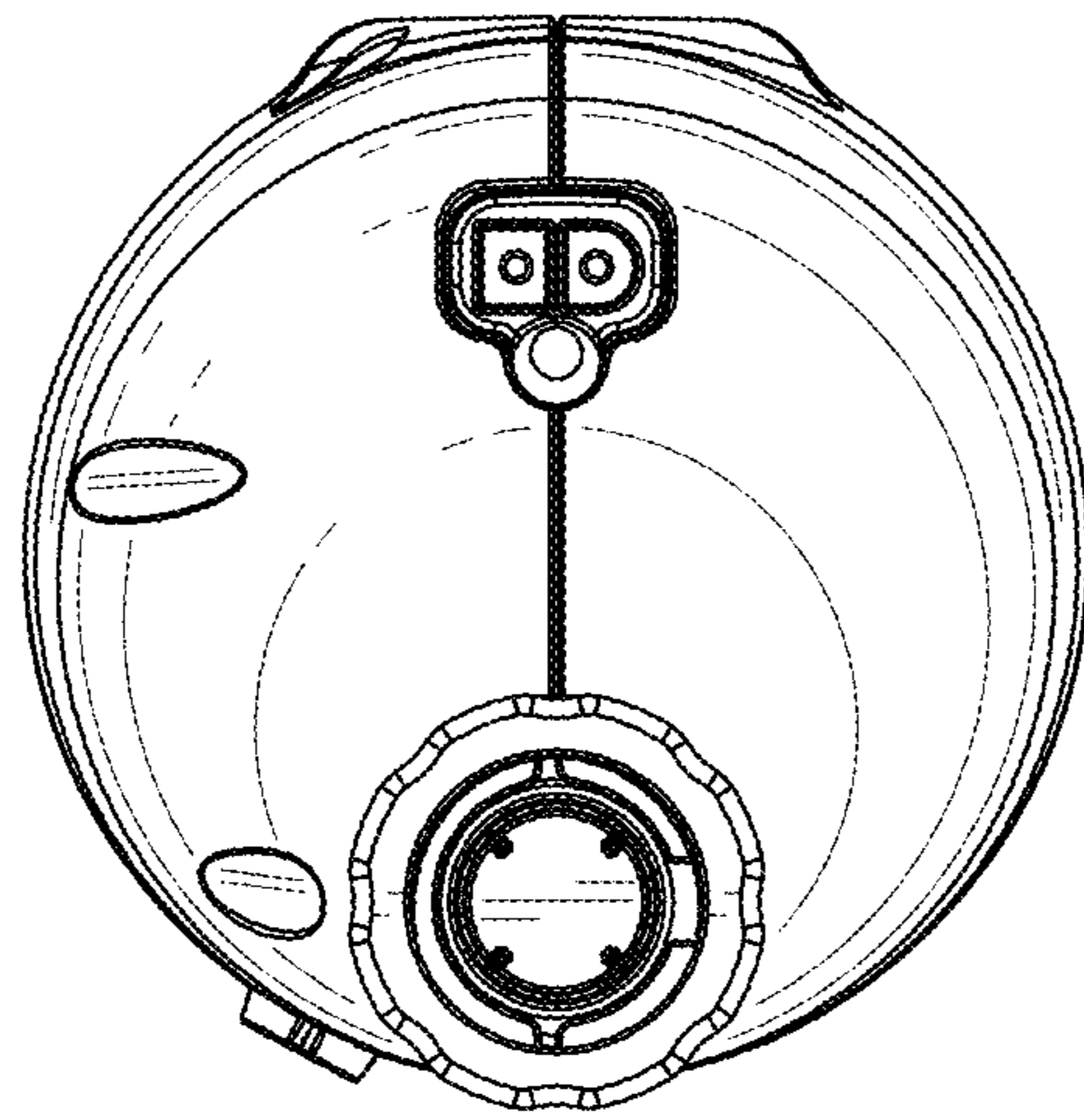


FIG. 7

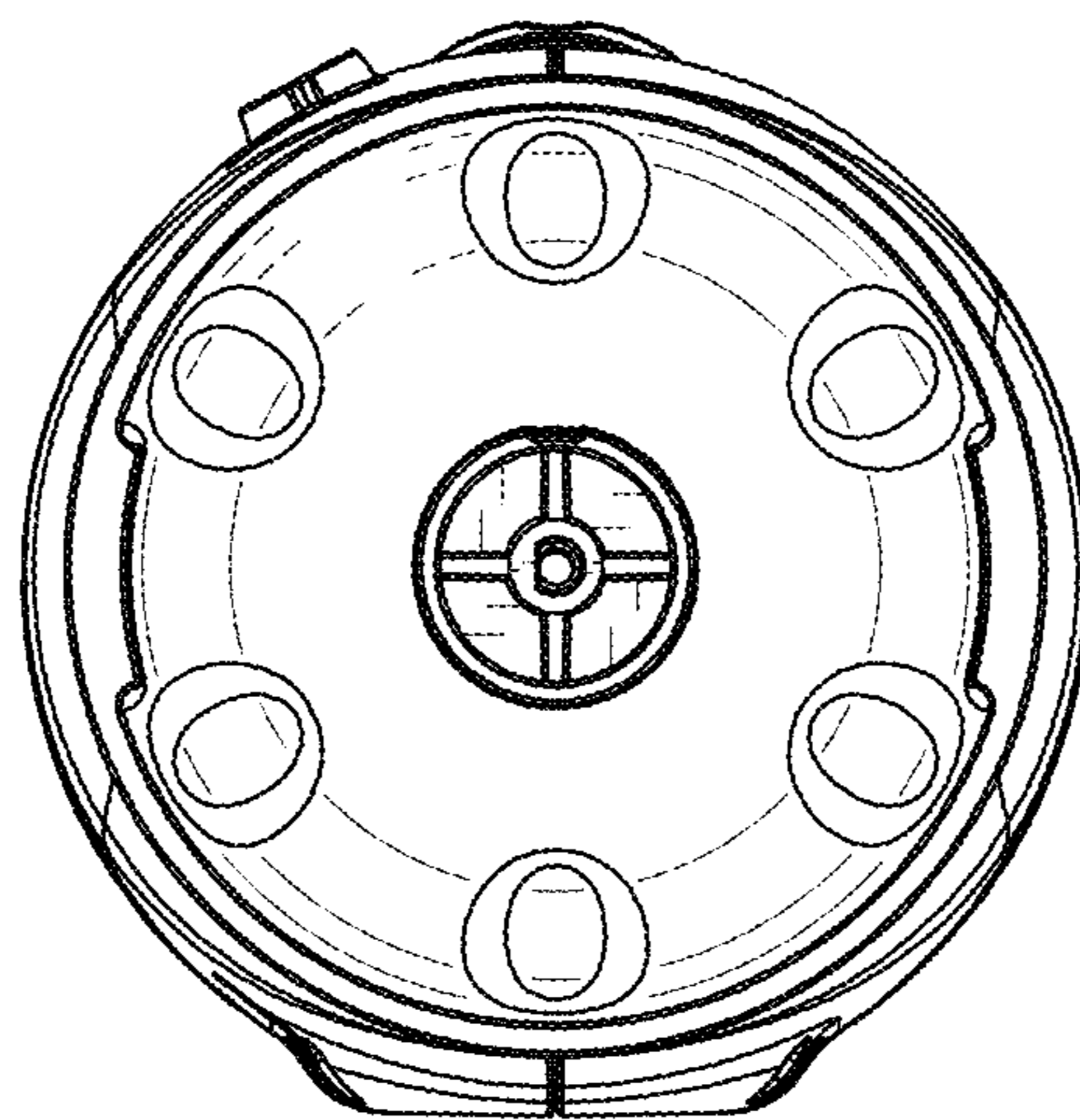


FIG. 8