



US00D785259S

(12) **United States Design Patent** (10) **Patent No.:** **US D785,259 S**
Wo et al. (45) **Date of Patent:** **** Apr. 25, 2017**

(54) **ROBOT CLEANER**

(71) Applicant: **Samsung Electronics Co., Ltd.**,
 Suwon-si, Gyeonggi-do (KR)

(72) Inventors: **Sangung Wo**, Seoul (KR); **Seo Lee**,
 Yongin-si (KR); **Jongchan Kwon**,
 Yongin-si (KR); **Yangjic Lee**,
 Gwacheon-si (KR); **Sangmin Hyun**,
 Seoul (KR)

(73) Assignee: **SAMSUNG ELECTRONICS CO., LTD.**, Suwon-si, Gyeonggi-Do (KR)

(**) Term: **15 Years**

(21) Appl. No.: **29/539,637**

(22) Filed: **Sep. 16, 2015**

(30) **Foreign Application Priority Data**

Mar. 16, 2015 (KR) 30-2015-0013098

(51) **LOC (10) Cl.** **15-05**

(52) **U.S. Cl.**
USPC **D32/31**

(58) **Field of Classification Search**
 USPC D32/21-23, 31
 CPC G06N 3/008; A47L 9/2857; A47L 9/2842;
 A47L 9/2852; E04H 4/1654
 See application file for complete search history.

(56) **References Cited**

U.S. PATENT DOCUMENTS

D548,411 S *	8/2007	Schroter	D32/21
D593,265 S *	5/2009	Carr	D32/21
D720,103 S *	12/2014	Haug	D32/21
D720,511 S *	12/2014	Shin	D32/21
D744,178 S *	11/2015	Choi	D32/21
D745,757 S *	12/2015	Choi	D32/21
D746,005 S *	12/2015	Cheon	D32/21
D751,777 S *	3/2016	Cheon	D32/21

* cited by examiner

Primary Examiner — Ruth McInroy

(74) *Attorney, Agent, or Firm* — Ladas & Parry LLP

(57) **CLAIM**

We claim the ornamental design for a robot cleaner, as shown and described.

DESCRIPTION

FIG. 1 is a perspective view of a robot cleaner showing our new design.

FIG. 2 is a front view thereof;

FIG. 3 is a rear view thereof;

FIG. 4 is a left-side view thereof;

FIG. 5 is a right-side view thereof;

FIG. 6 is a top view thereof; and,

FIG. 7 is a bottom view thereof.

The broken lines shown in the drawings depict environmental structure and form no part of claimed design.

1 Claim, 7 Drawing Sheets

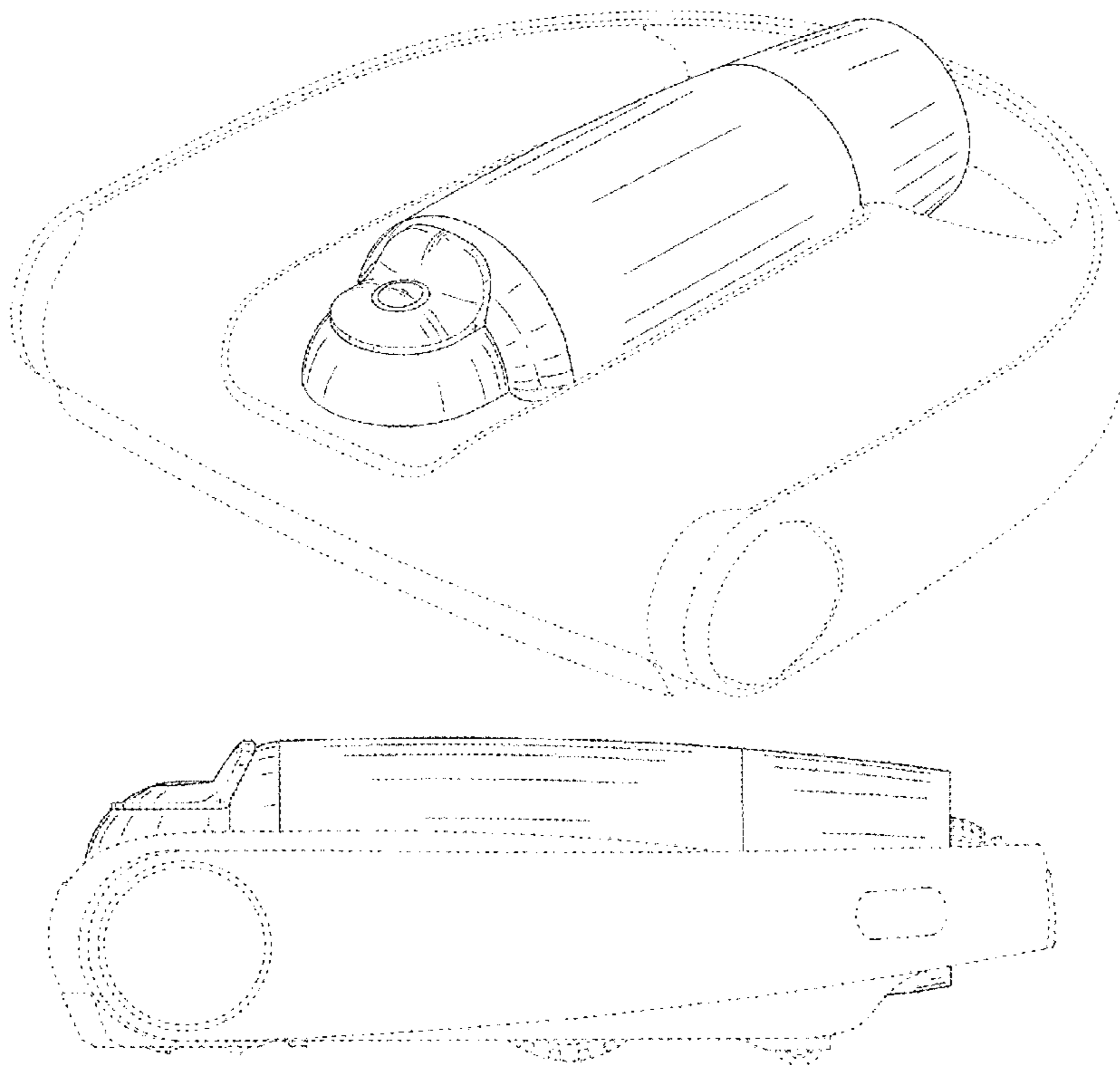


FIG. 1

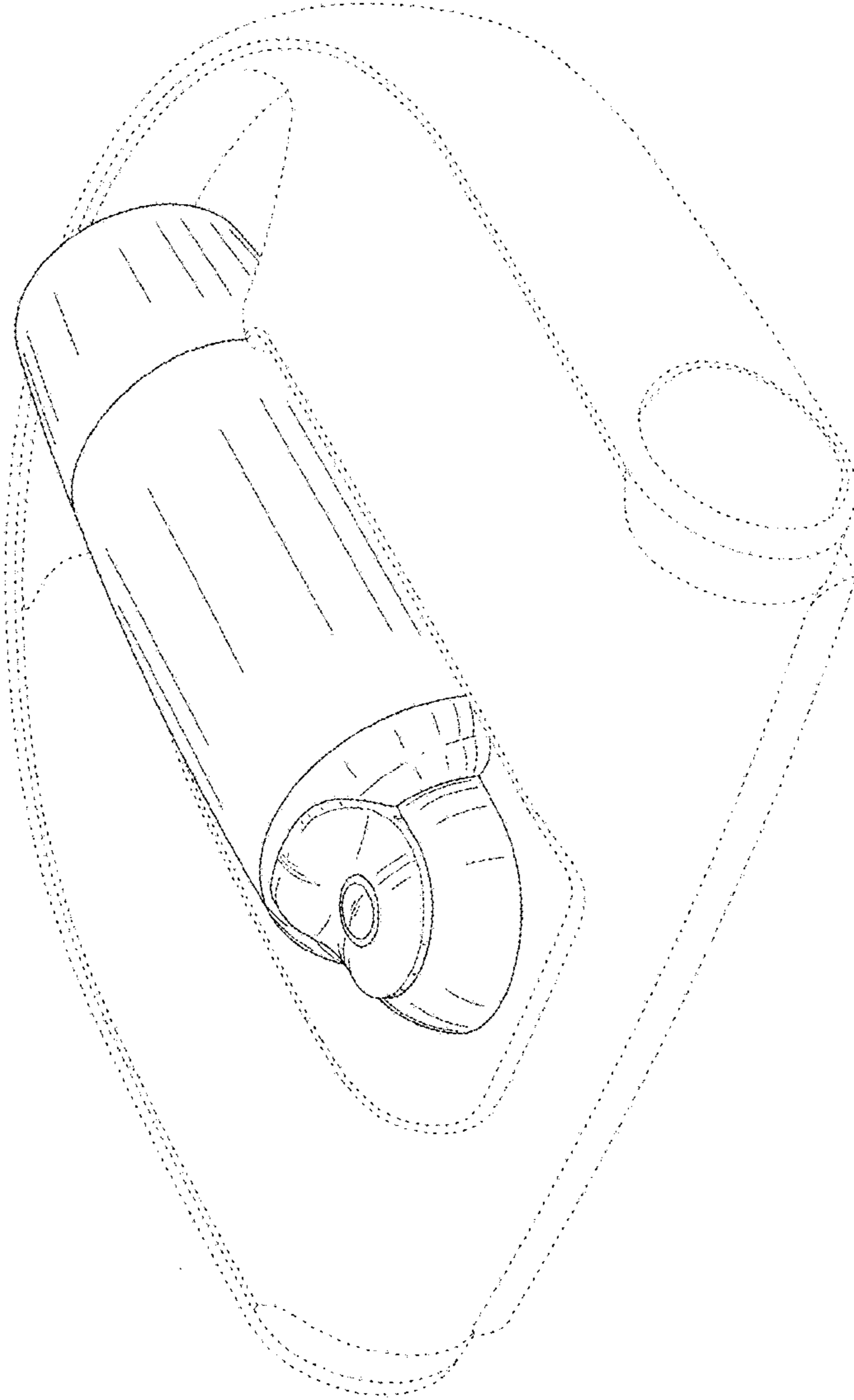


FIG. 2

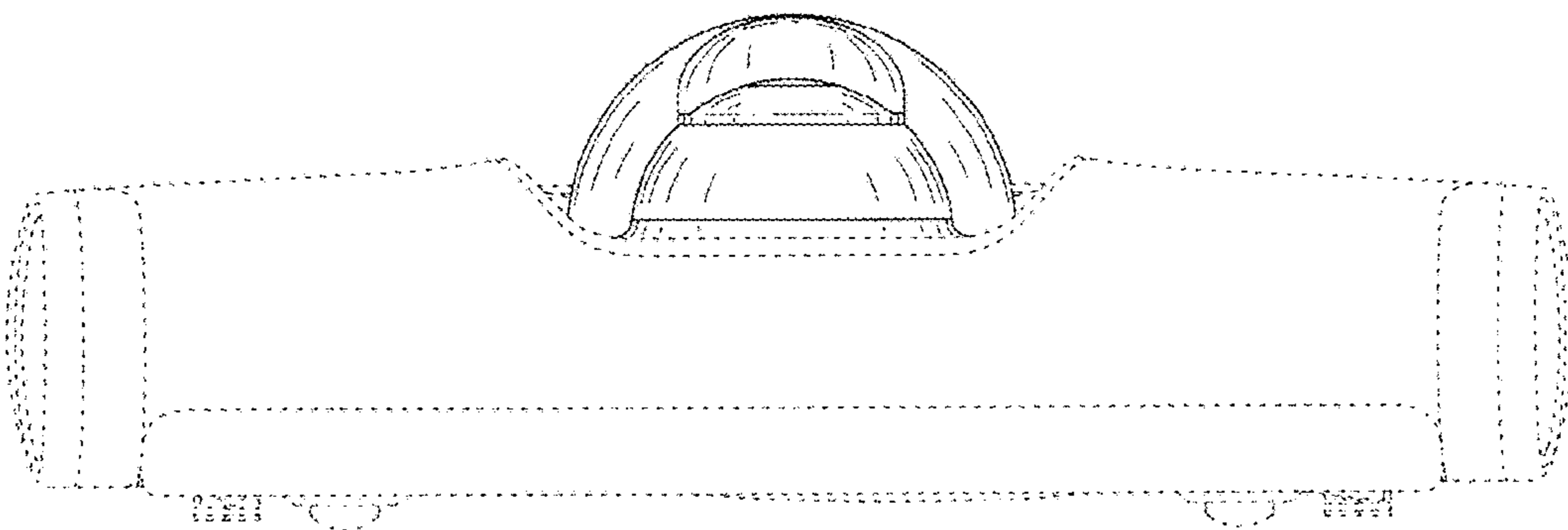


FIG. 3

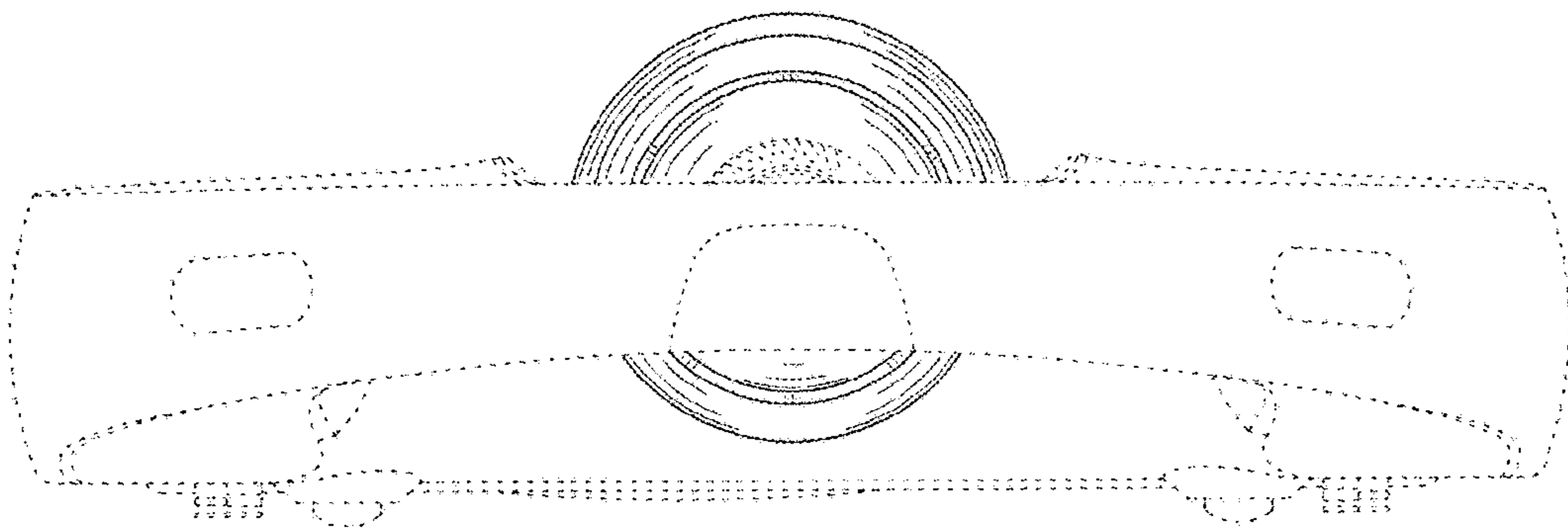


FIG. 4

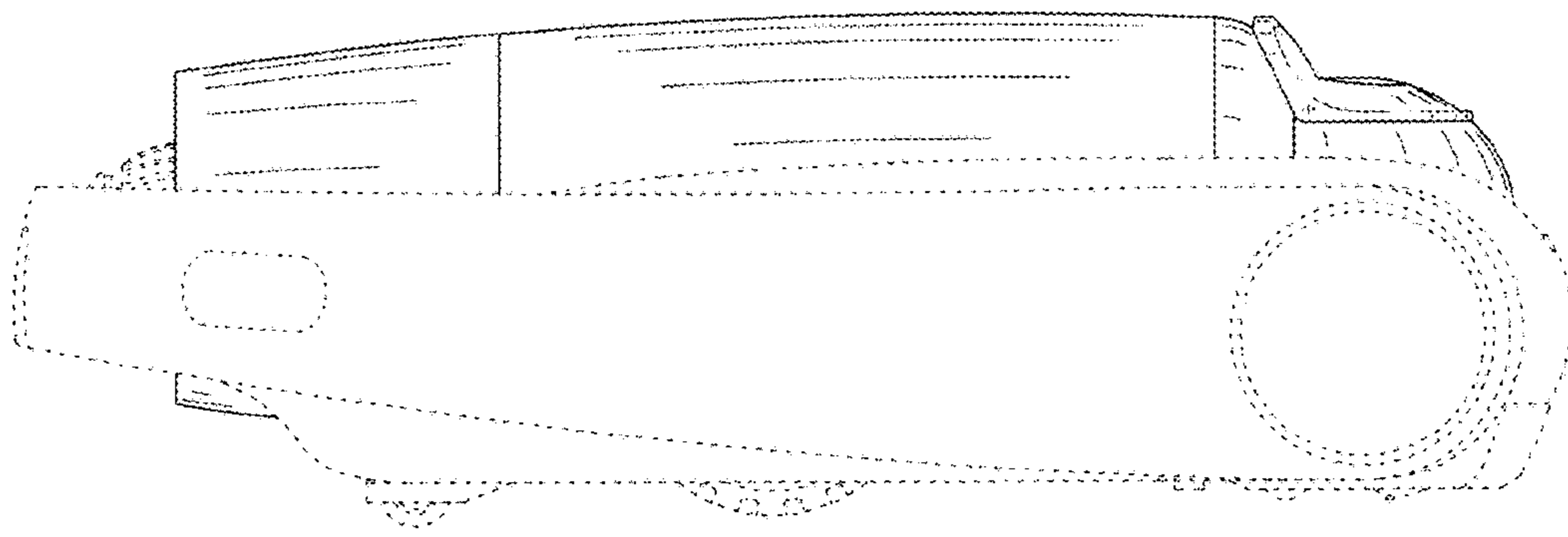


FIG. 5

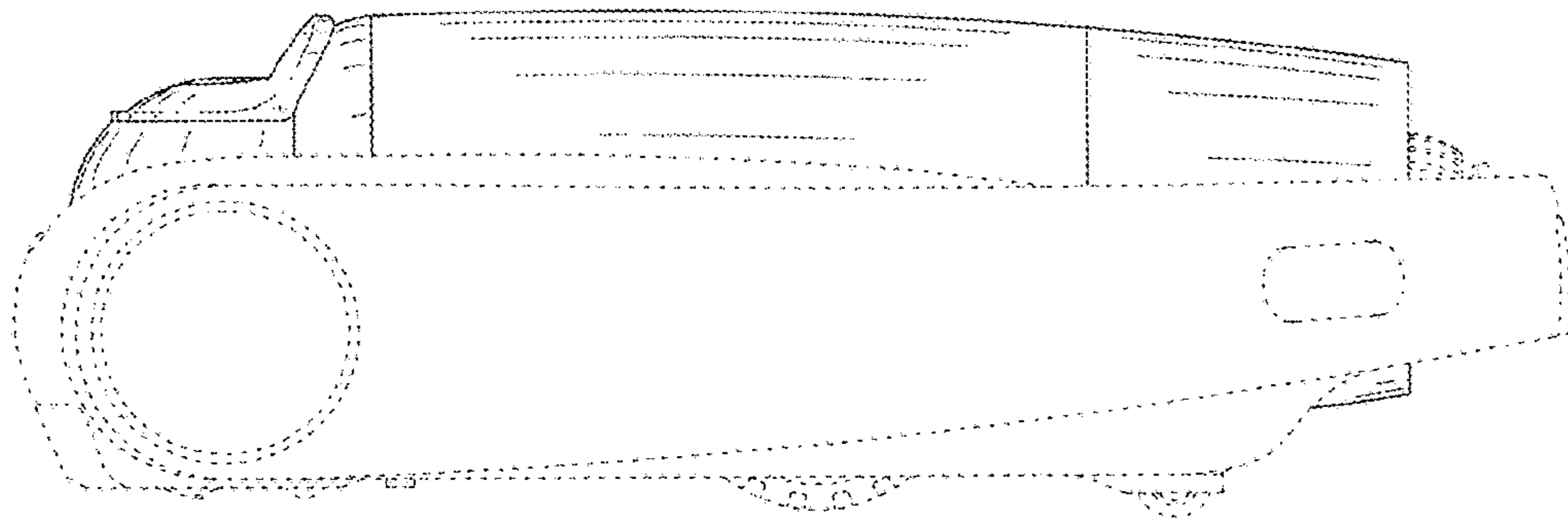


FIG. 6

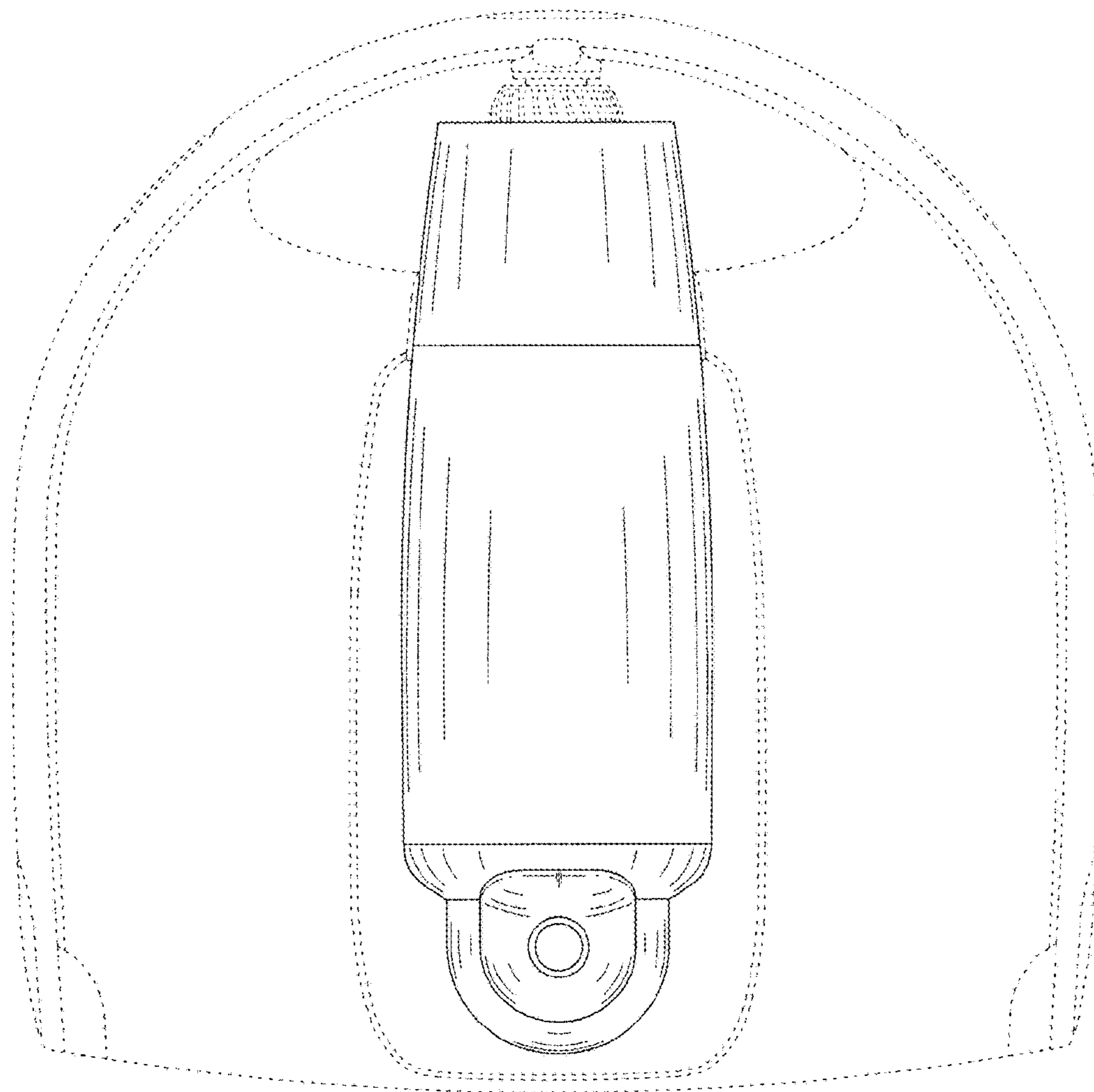


FIG. 7

