



US00D785258S

(12) **United States Design Patent**
Canas et al.

(10) **Patent No.:** **US D785,258 S**
(45) **Date of Patent:** **** Apr. 25, 2017**

(54) **VACUUM CLEANER BODY**
(71) Applicants: **Luis A. Canas**, Stoughton, MA (US);
Owen R. Johnson, Needham, MA (US)
(72) Inventors: **Luis A. Canas**, Stoughton, MA (US);
Owen R. Johnson, Needham, MA (US)

8,631,541 B2 1/2014 Tran
8,776,311 B2 7/2014 Genn et al.
D739,104 S * 9/2015 Johnson D32/31
D740,505 S * 10/2015 Gidwell D32/31
D751,261 S * 3/2016 Thorne D32/22
2015/0143659 A1* 5/2015 Pilch A47L 9/1691
15/347

(73) Assignee: **SharkNinja Operating LLC**, Newton,
MA (US)

FOREIGN PATENT DOCUMENTS

JP H10201682 A 8/1998
WO 2014131106 A1 9/2014

(**) Term: **15 Years**

* cited by examiner

(21) Appl. No.: **29/527,838**

Primary Examiner — Ruth McInroy

(22) Filed: **May 22, 2015**

(74) *Attorney, Agent, or Firm* — Grossman Tucker
Perreault & Pfleger, PLLC

(51) **LOC (10) Cl.** **15-05**

(52) **U.S. Cl.**
USPC **D32/31**

(57) **CLAIM**

(58) **Field of Classification Search**
USPC D32/21–22, 31, 34, 25
CPC A47L 11/34; A47L 11/29; A47L 11/30;
A47L 7/0019; A47L 7/0004; A47L
7/0023; A47L 9/00; A47L 9/1409; A47L
5/36–5/367; A47L 5/28
See application file for complete search history.

The ornamental design for a vacuum cleaner body, as shown
and described.

DESCRIPTION

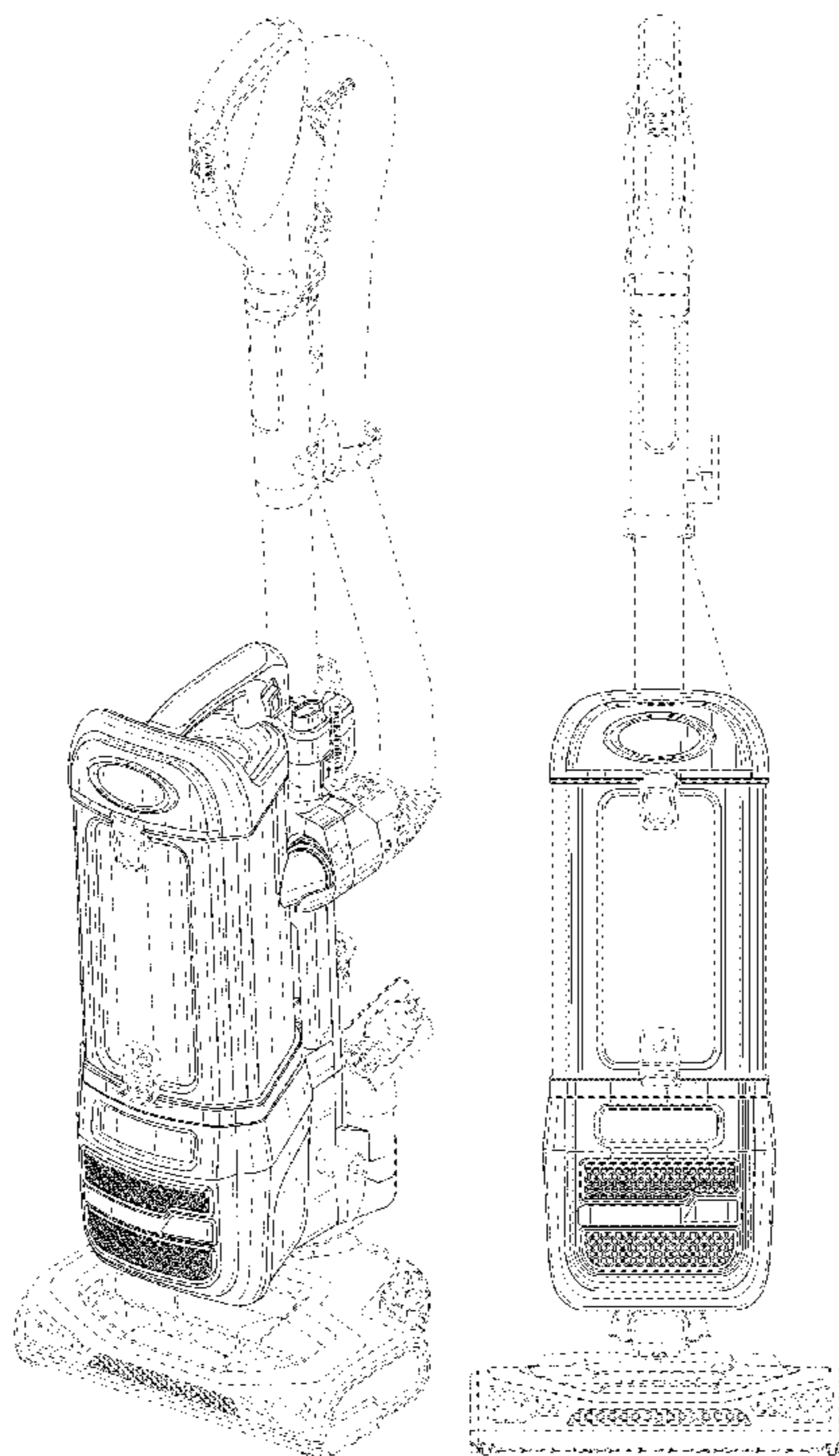
(56) **References Cited**

U.S. PATENT DOCUMENTS

6,012,200 A 1/2000 Murphy et al.
6,226,832 B1 5/2001 McCormick
7,200,893 B2 4/2007 Gerber et al.
7,329,294 B2 2/2008 Conrad
7,690,079 B2 4/2010 Boddy et al.
D670,878 S * 11/2012 Lee D32/22
8,402,601 B2 3/2013 Fahlstrom

FIG. 1 is a perspective view of a vacuum cleaner body
showing our new design;
FIG. 2 is a front elevational view of FIG. 1;
FIG. 3 is a rear elevational view of FIG. 1;
FIG. 4 is a left side elevational view of FIG. 1;
FIG. 5 is a right side elevational view of FIG. 1;
FIG. 6 is a top plan view of FIG. 1; and,
FIG. 7 is a bottom plan view of FIG. 1.
The broken lines in the drawings are for illustrative purposes
only and form no part of the claimed design.

1 Claim, 7 Drawing Sheets



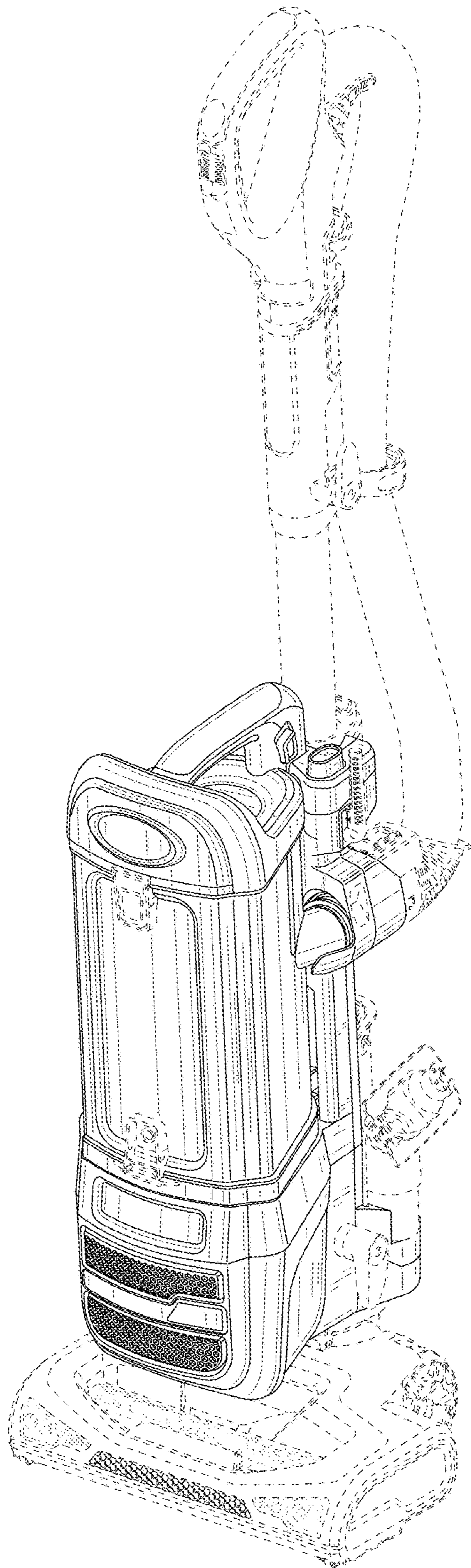


FIG. 1

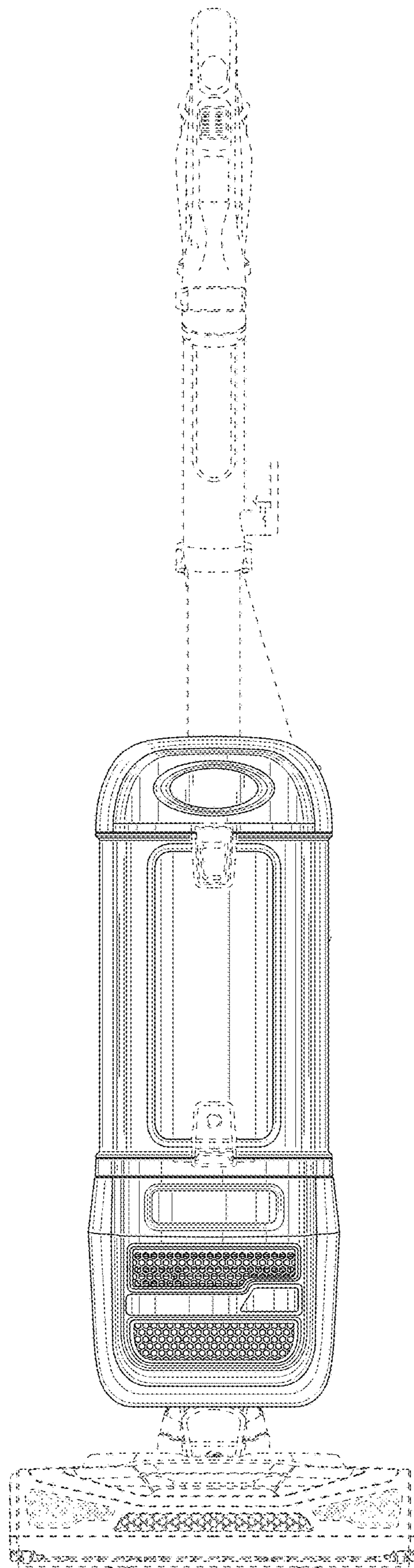


FIG. 2

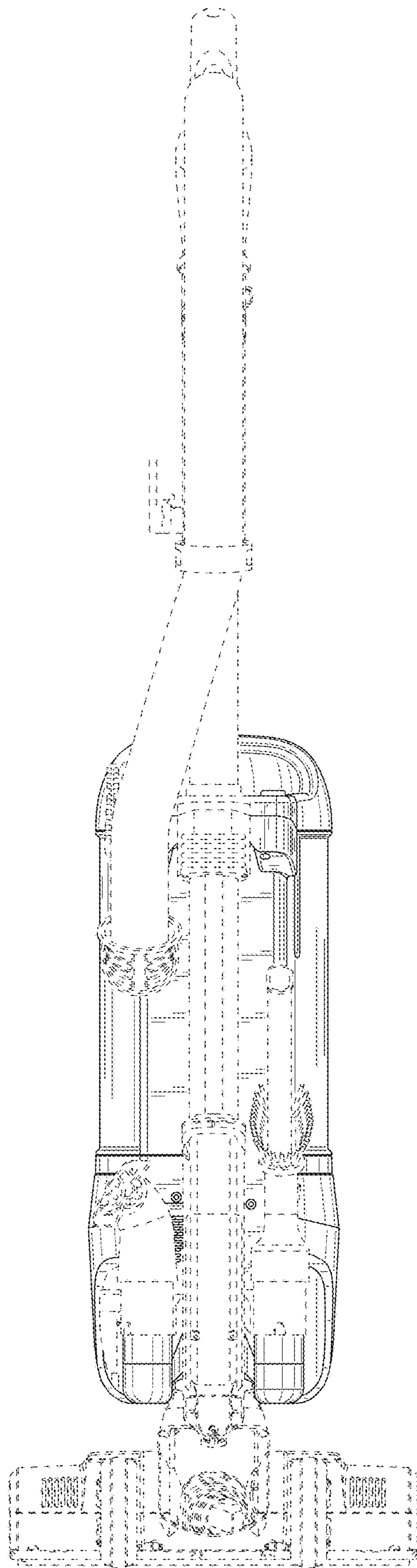


FIG. 3

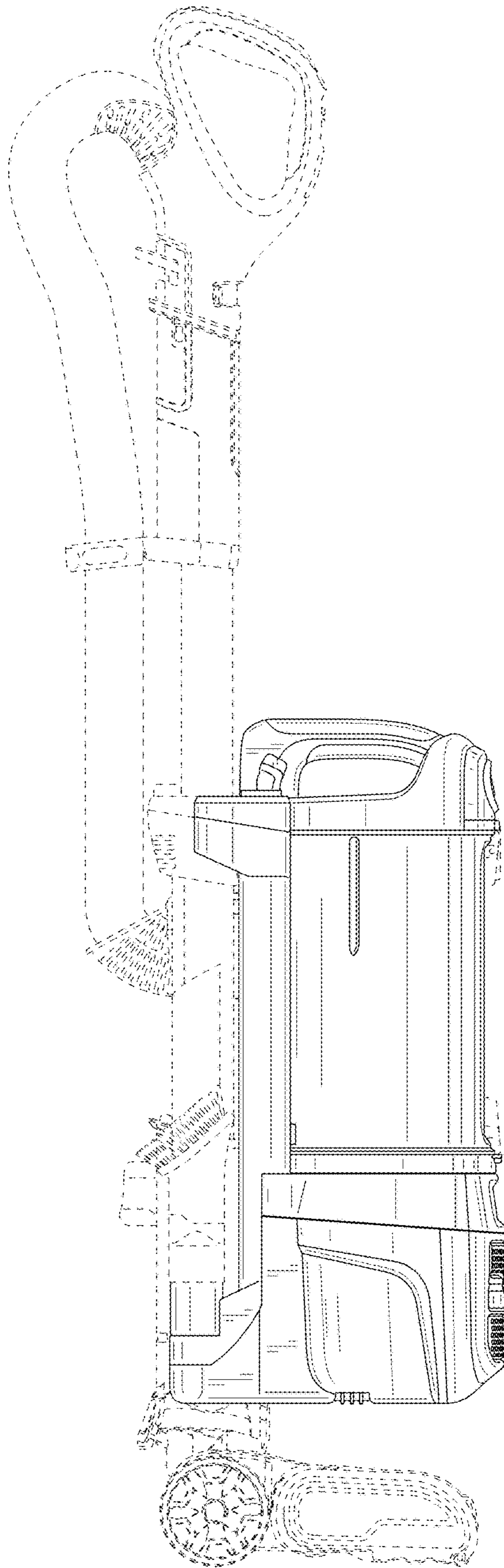


FIG. 4

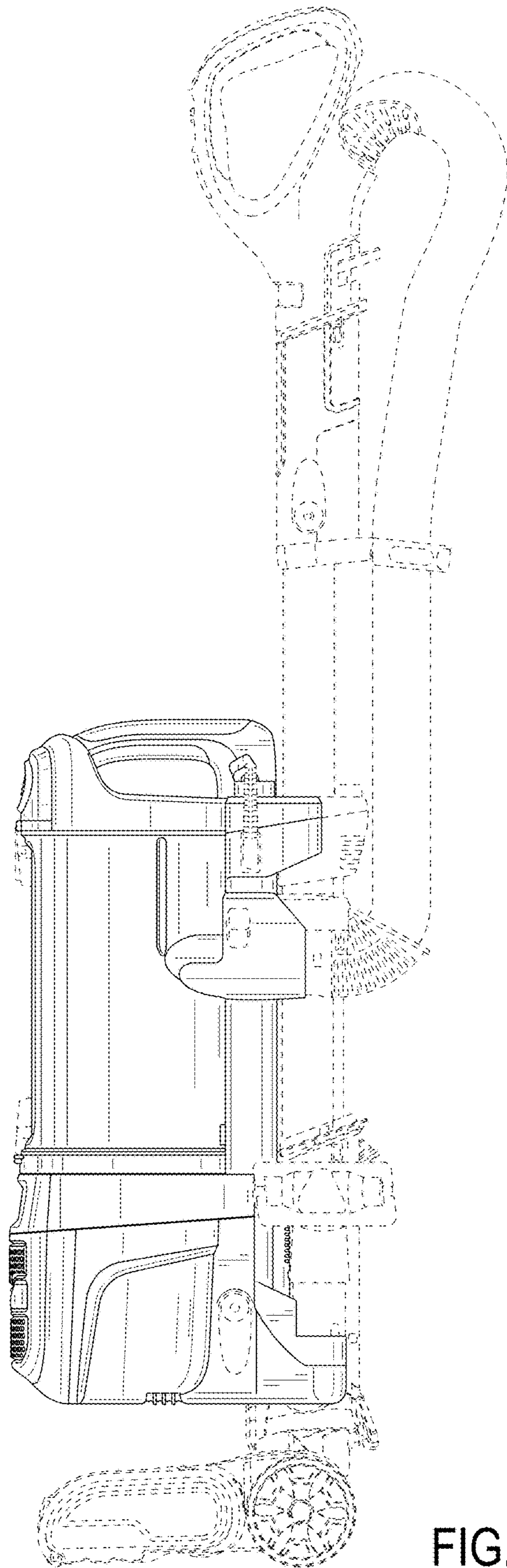


FIG. 5

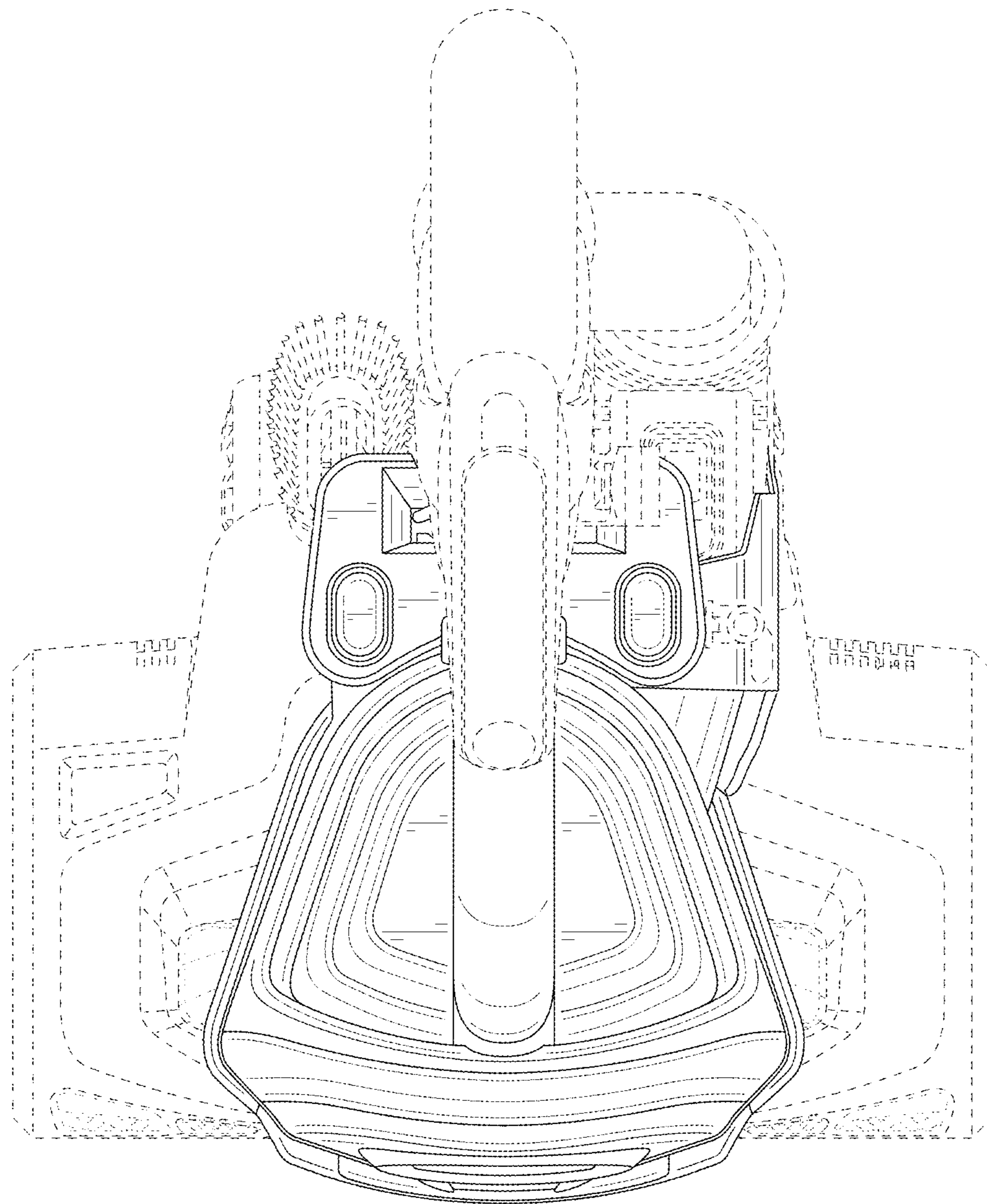


FIG. 6

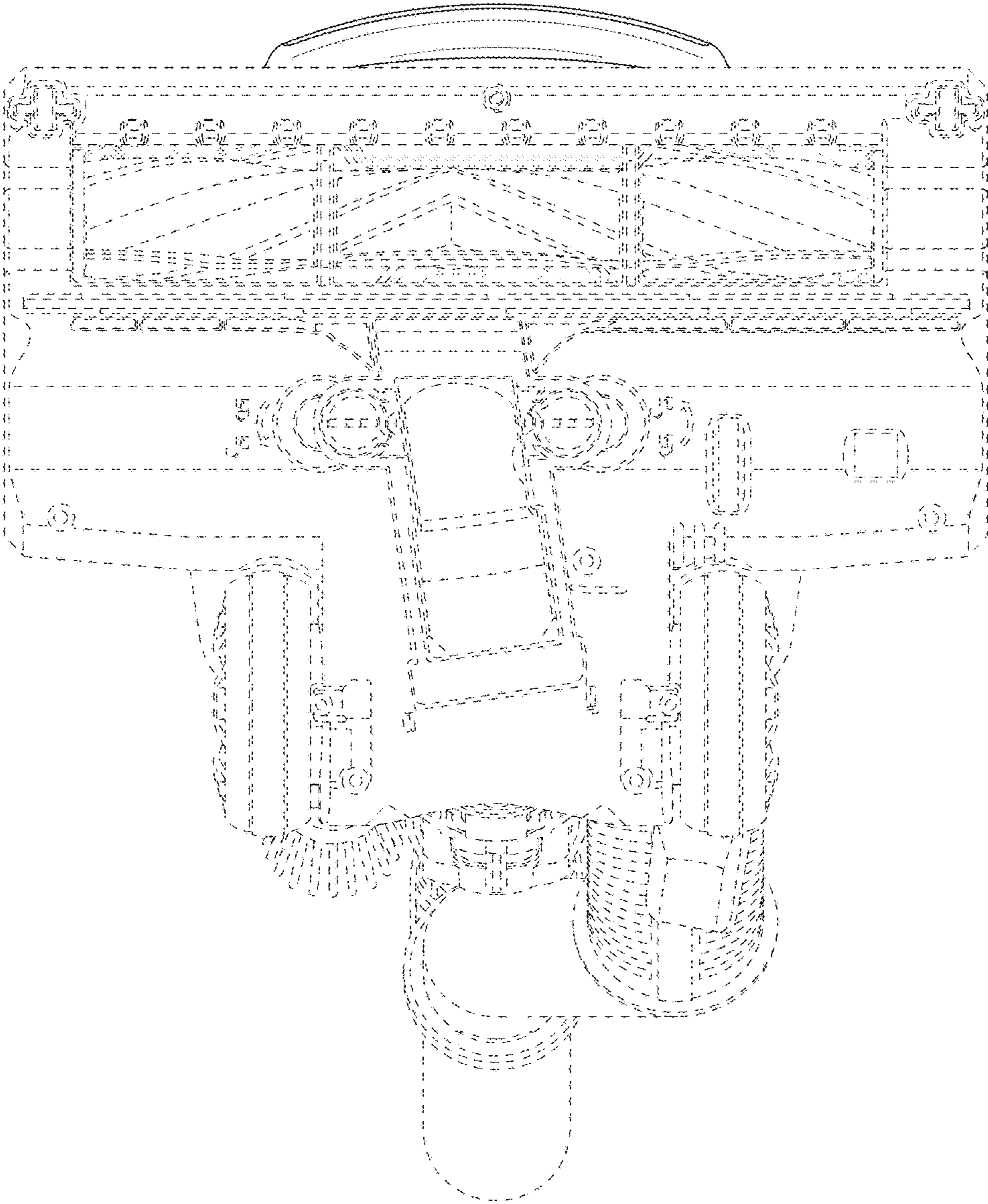


FIG. 7