



US00D785256S

(12) **United States Design Patent**
Yoon et al.

(10) **Patent No.:** **US D785,256 S**
(45) **Date of Patent:** **** Apr. 25, 2017**

(54) **WASHING MACHINE**

(71) Applicant: **Samsung Electronics Co., Ltd.**,
Suwon-si (KR)

(72) Inventors: **Kisang Yoon**, Daejeon (KR); **Yoonjong Kang**, Seoul (KR)

(73) Assignee: **Samsung Electronics Co., Ltd.**,
Suwon-si (KR)

(**) Term: **15 Years**

(21) Appl. No.: **29/550,500**

(22) Filed: **Jan. 5, 2016**

(30) **Foreign Application Priority Data**

Jul. 17, 2015 (KR) 30-2015-0036142

(51) **LOC (10) Cl.** **15-05**

(52) **U.S. Cl.**
USPC **D32/28; D32/25; D32/6; D32/8**

(58) **Field of Classification Search**
USPC **D32/28, 6, 25, 29, 29.1, 8**
CPC **D06F 39/045; D06F 29/00; D06F 29/005**
See application file for complete search history.

(56) **References Cited**

U.S. PATENT DOCUMENTS

D711,605 S * 8/2014 Jo D32/25
D747,575 S * 1/2016 Choi D32/28

* cited by examiner

Primary Examiner — Caron D Veynar

Assistant Examiner — Laura Yu

(74) *Attorney, Agent, or Firm* — NSIP Law

(57) **CLAIM**

We claim the ornamental design for a washing machine, as shown and described.

DESCRIPTION

FIG. 1 is a front perspective view of a washing machine showing our new design;

FIG. 2 is a front view thereof;

FIG. 3 is a rear view thereof;

FIG. 4 is a left-side view thereof;

FIG. 5 is a right-side view thereof;

FIG. 6 is a top view thereof;

FIG. 7 is a bottom view thereof; and,

FIG. 8 is an enlarged view of the encircled portion in FIG. 1.

The broken lines in the figures show portions of the washing machine which form no part of the claimed design.

The dot-dash broken lines encircling portions of the claimed design that are illustrated in enlargements form no part of the claimed design.

1 Claim, 8 Drawing Sheets

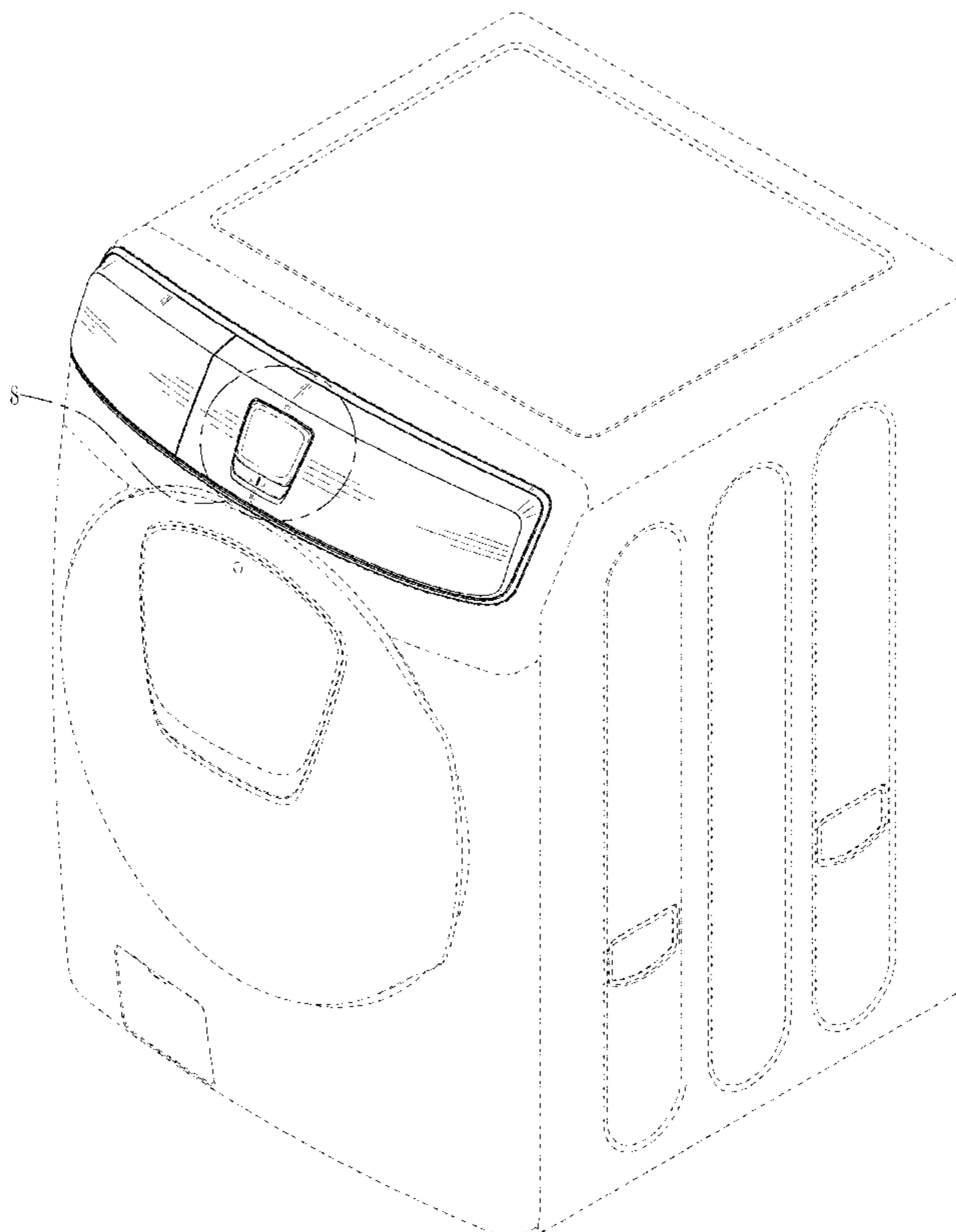


FIG. 1

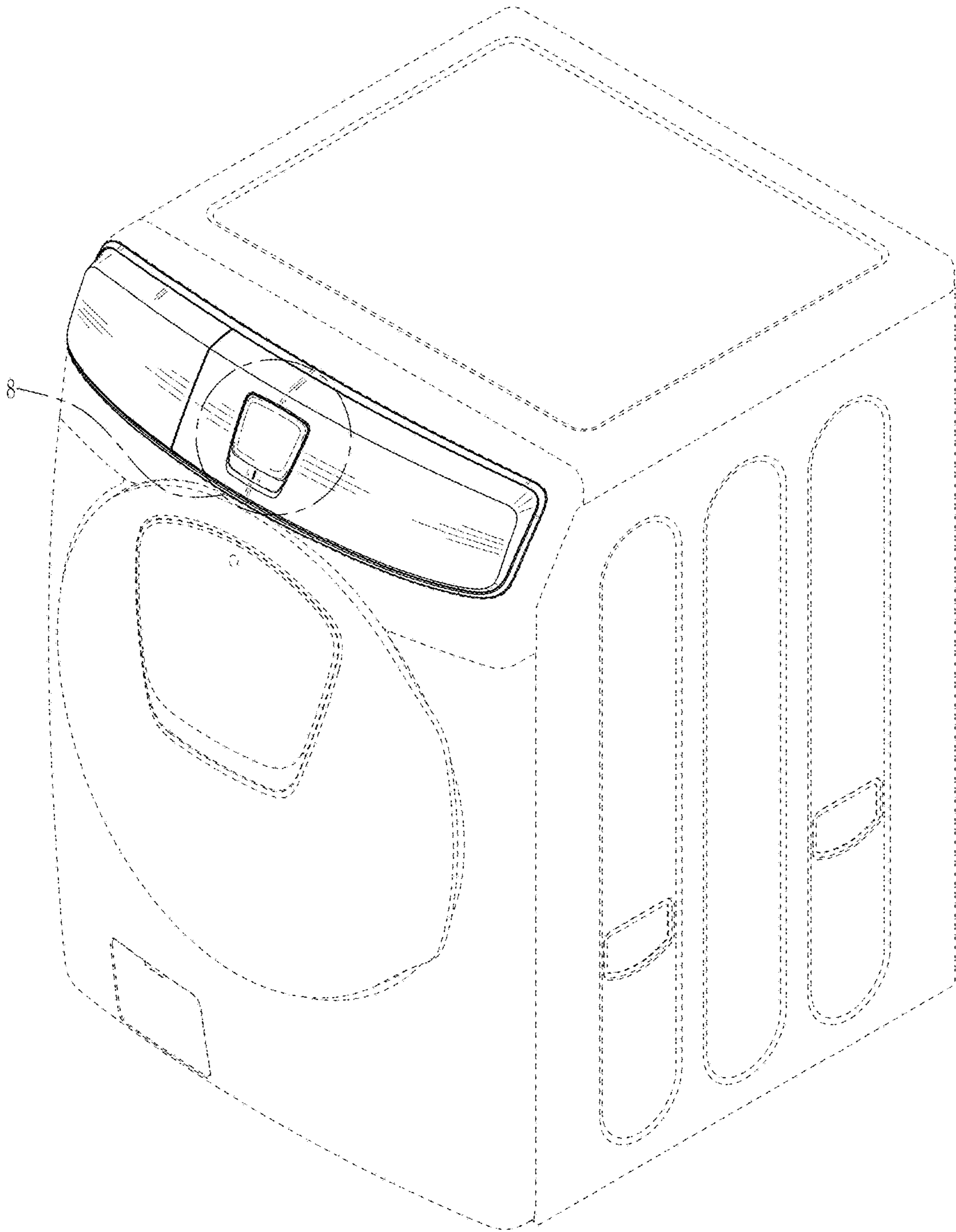


FIG. 2

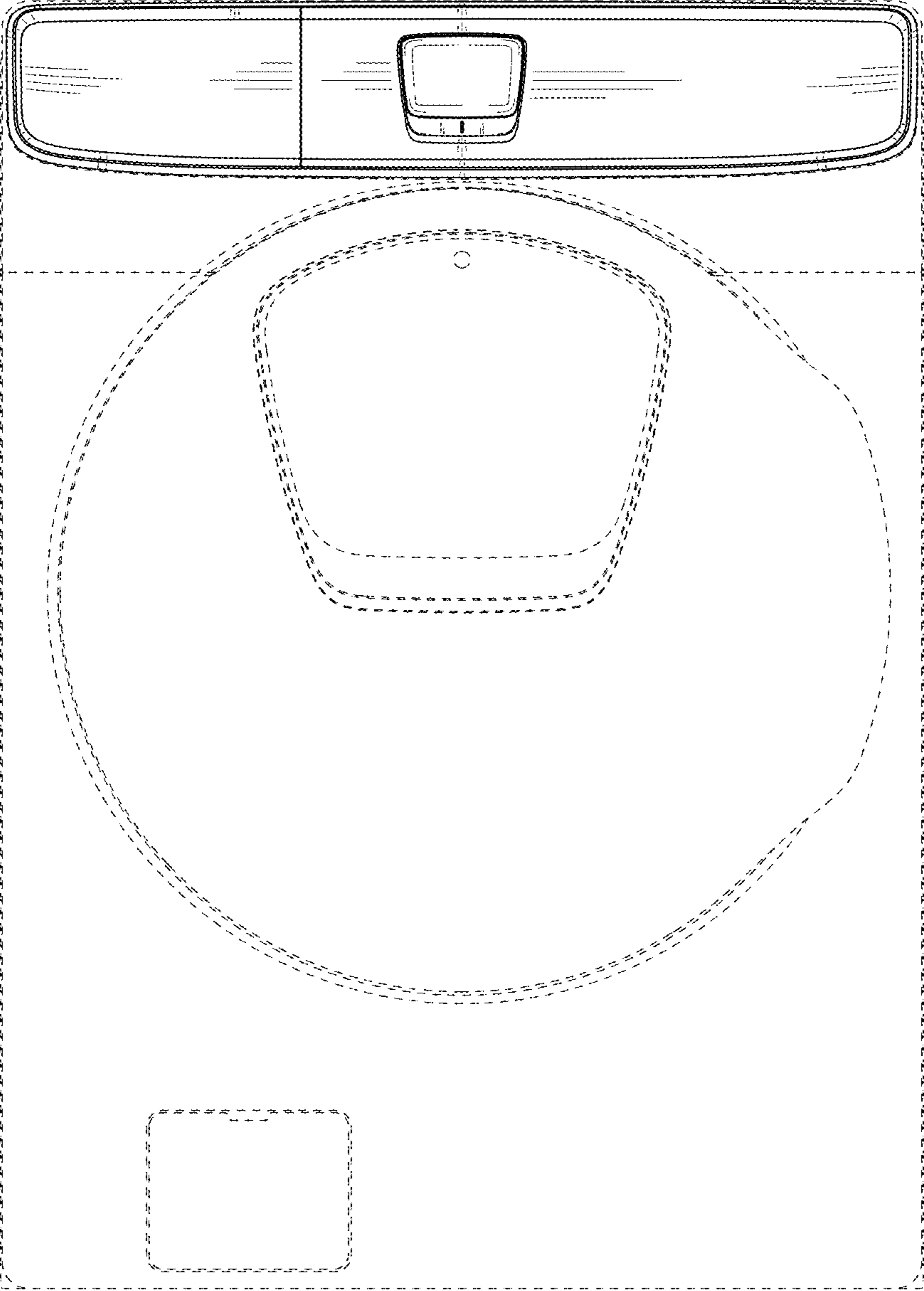


FIG. 3

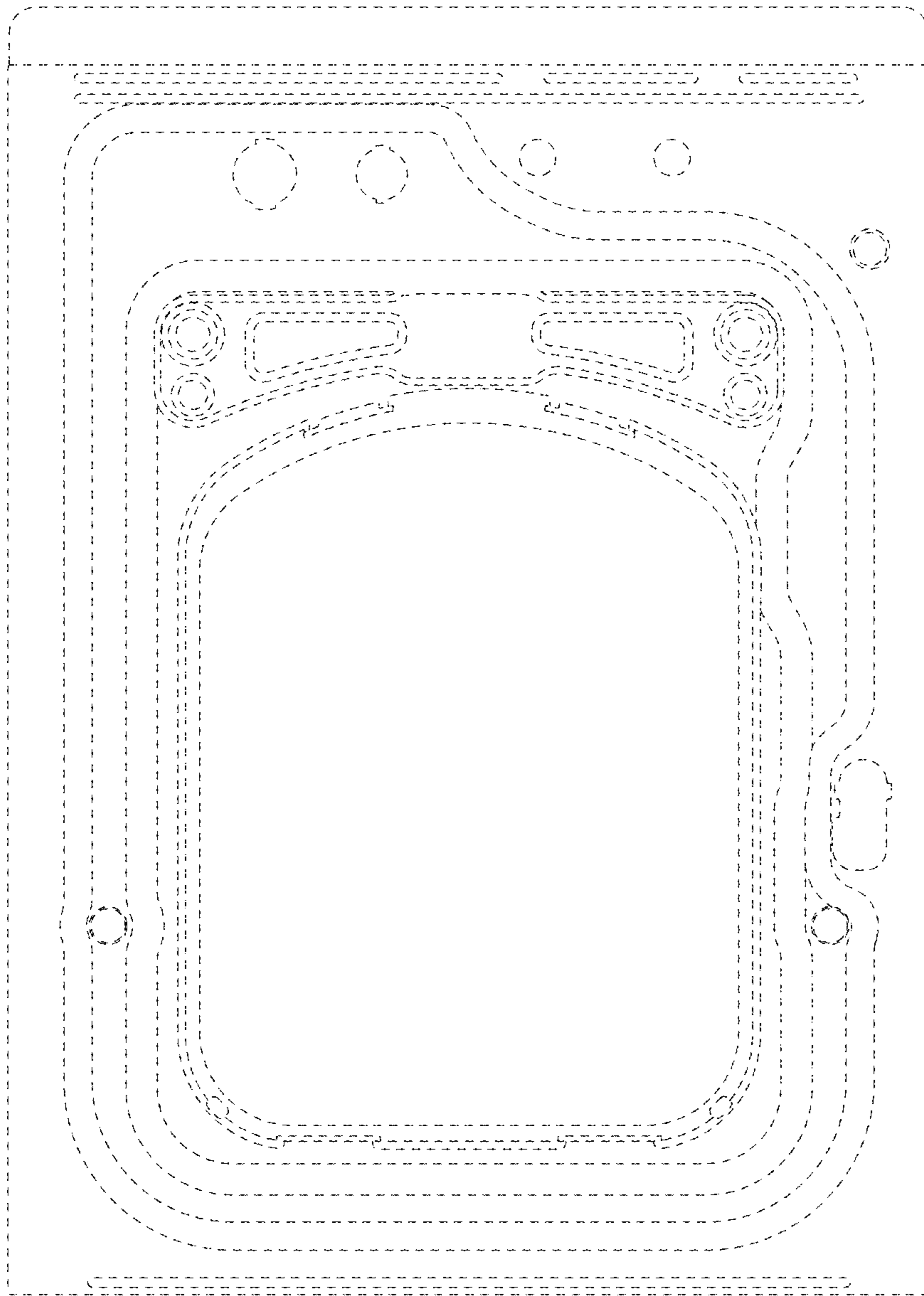


FIG. 4

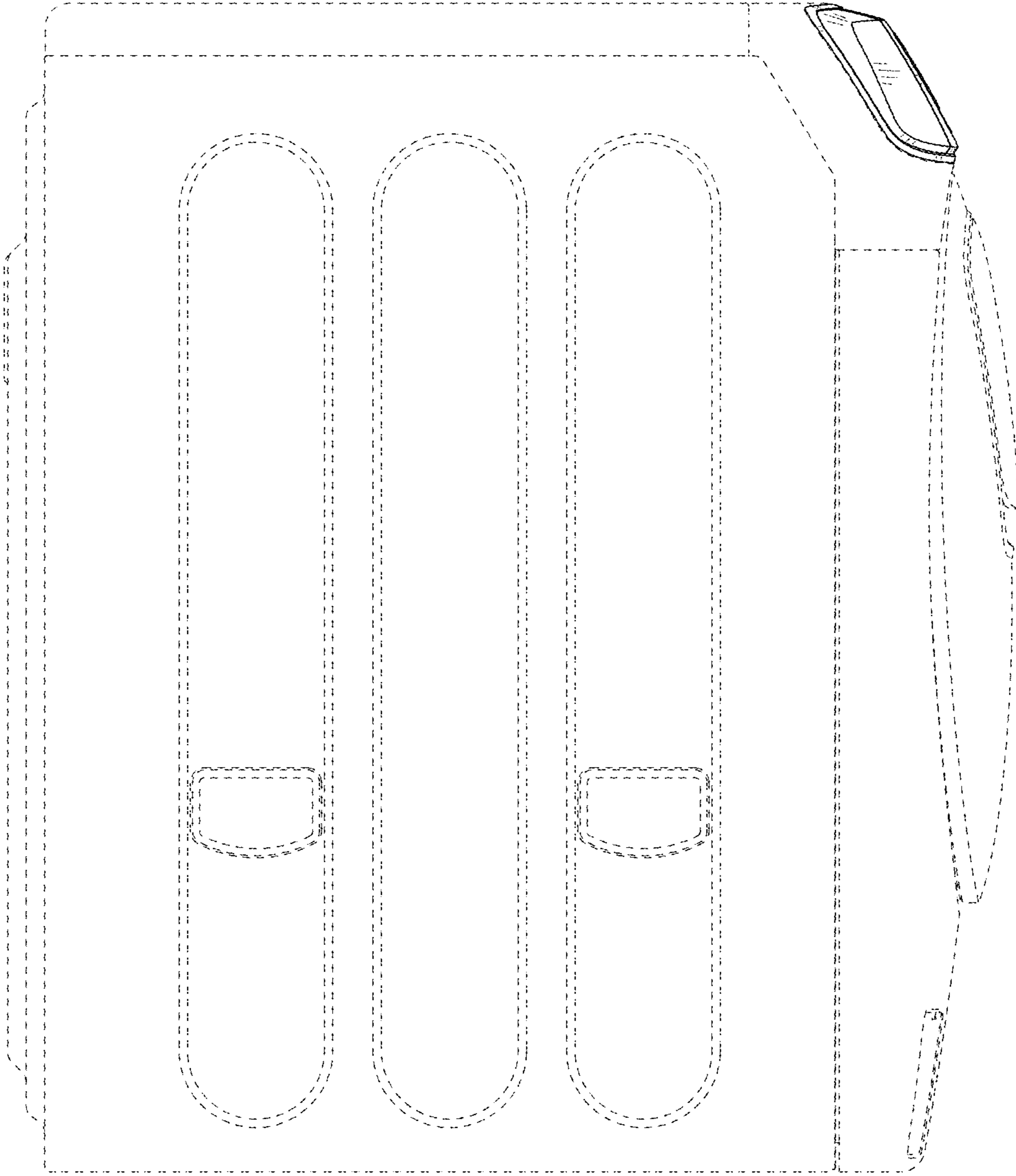


FIG. 5

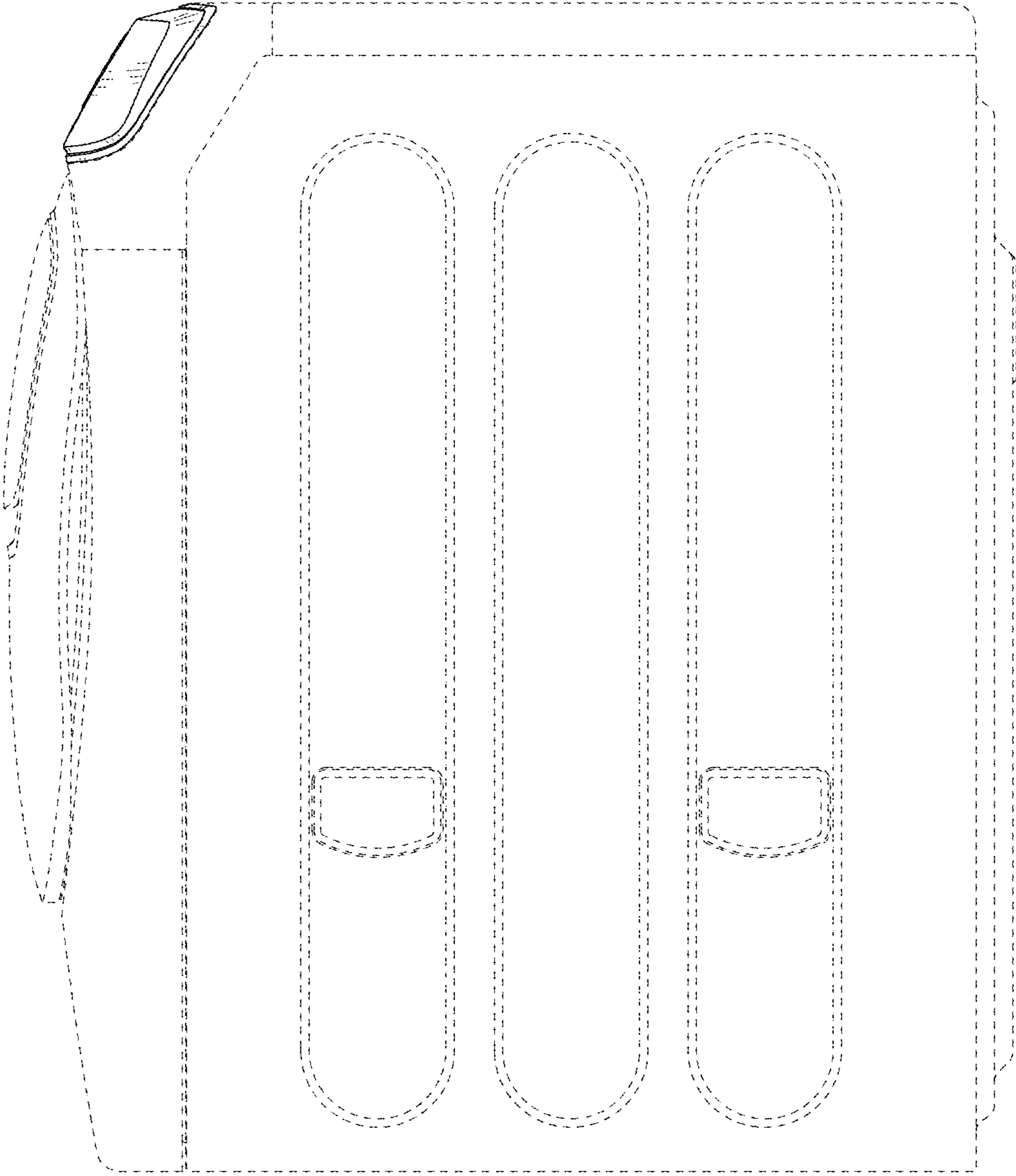


FIG. 6

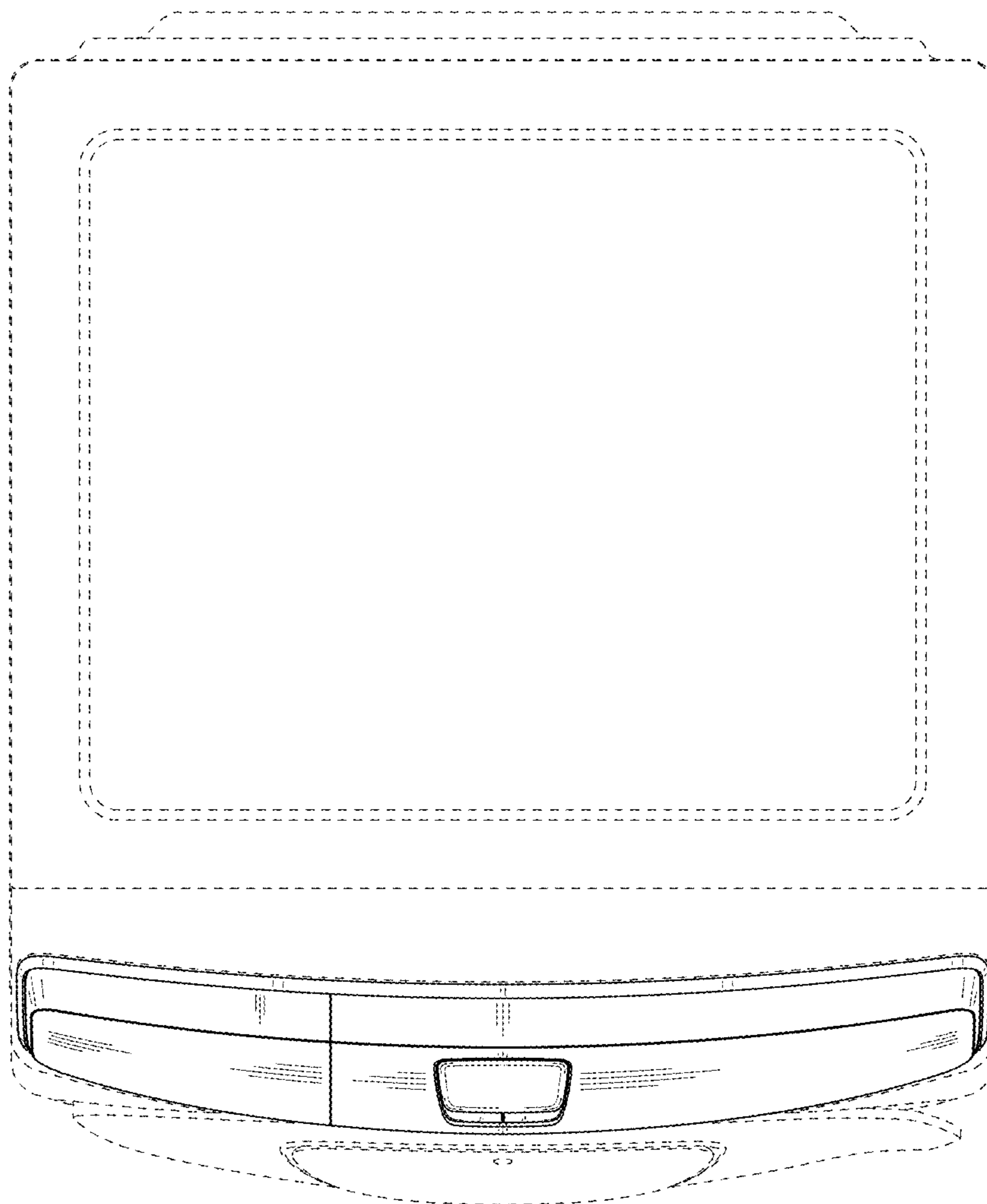


FIG. 7

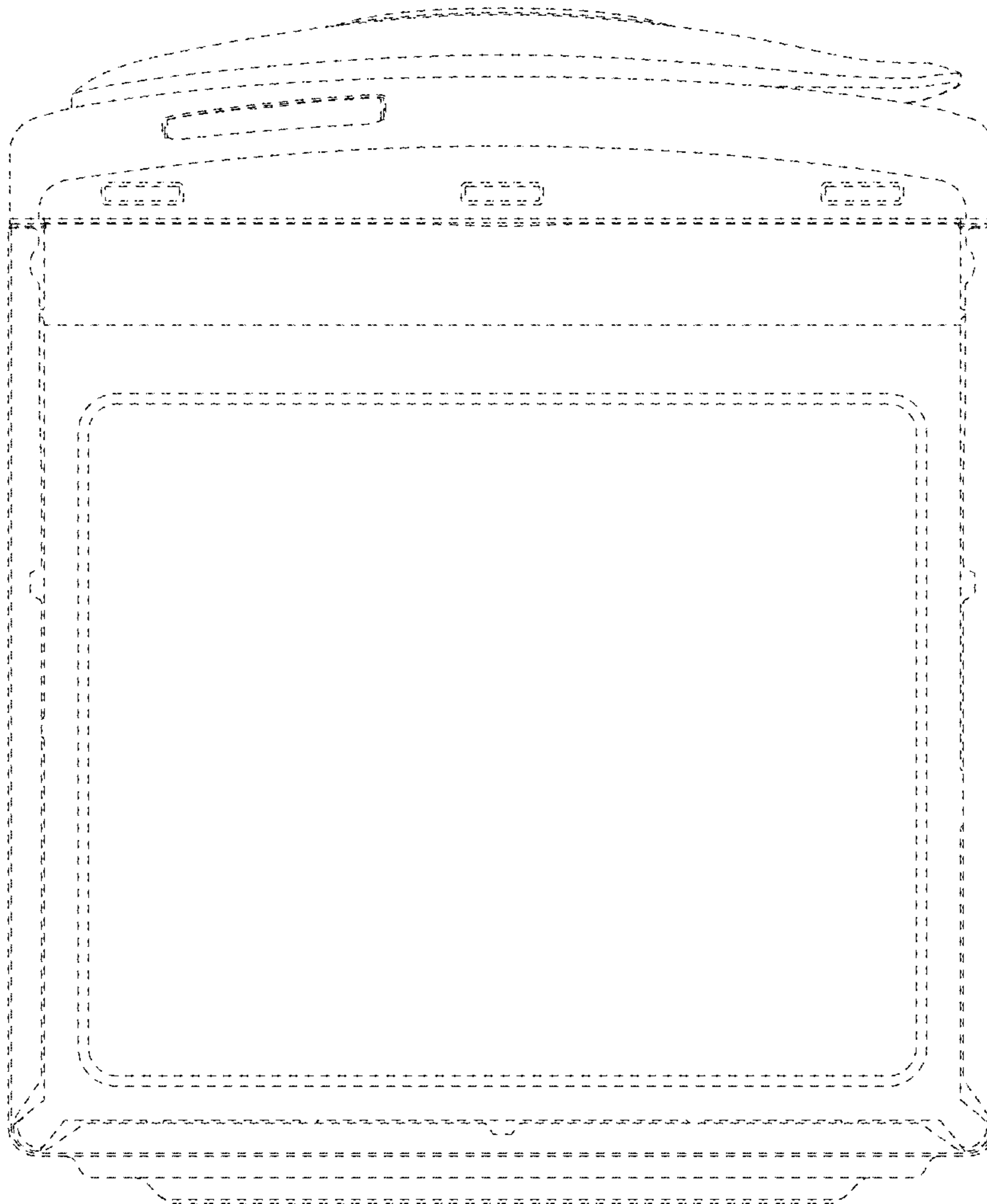


FIG. 8

