



US00D785254S

(12) **United States Design Patent** (10) **Patent No.:** **US D785,254 S**
Dammkoehler et al. (45) **Date of Patent:** **** Apr. 25, 2017**

(54) **FLOOR CLEANING MACHINE**
(71) Applicant: **Alfred Kaercher GmbH & Co. KG**,
Winnenden (DE)
(72) Inventors: **Denis Dammkoehler**, Backnang (DE);
Zheyi Jin, Schwaikheim (DE)
(73) Assignee: **Alfred Kaercher GmbH & Co. KG**,
Winnenden (DE)

D533,320 S * 12/2006 Pedlar D32/16
D542,988 S * 5/2007 Dammkoehler D32/16
D544,659 S * 6/2007 Auerswald D32/16
D549,405 S * 8/2007 Dammkoehler D32/16
D569,057 S * 5/2008 Goff D32/16
D571,512 S * 6/2008 Dammkoehler D32/15
D659,308 S * 5/2012 Dammkoehler D32/16
D661,853 S * 6/2012 Dammkoehler D32/16
2008/0276414 A1 * 11/2008 Wood A46B 13/001
15/383

(Continued)

(**) Term: **15 Years**

OTHER PUBLICATIONS

(21) Appl. No.: **29/540,539**

Extract from catalog of Alfred Kaercher GmbH & Co. KG, "Pro-
gramme 2012 Kaercher Professional (Professional, Industrial)",
cover, pp. 16, 26, 30, 36 and last page (Nov. 2011).

(22) Filed: **Sep. 25, 2015**

(Continued)

(30) **Foreign Application Priority Data**

Mar. 31, 2015 (WO) 883564701

Primary Examiner — Michael A. Pratt

(51) **LOC (10) Cl.** **15-05**

Assistant Examiner — Michelle E Wilson

(52) **U.S. Cl.**
USPC **D32/16**

(74) *Attorney, Agent, or Firm* — Lipsitz & McAllister,
LLC

(58) **Field of Classification Search**
USPC D32/1, 2, 6, 12, 15-16; D15/199;
D24/217

(57) **CLAIM**

CPC .. A46B 13/001; A47L 11/4038; A47L 11/305;
A47L 11/30; A47L 11/4055
See application file for complete search history.

The ornamental design for a floor cleaning machine, as
shown and described.

DESCRIPTION

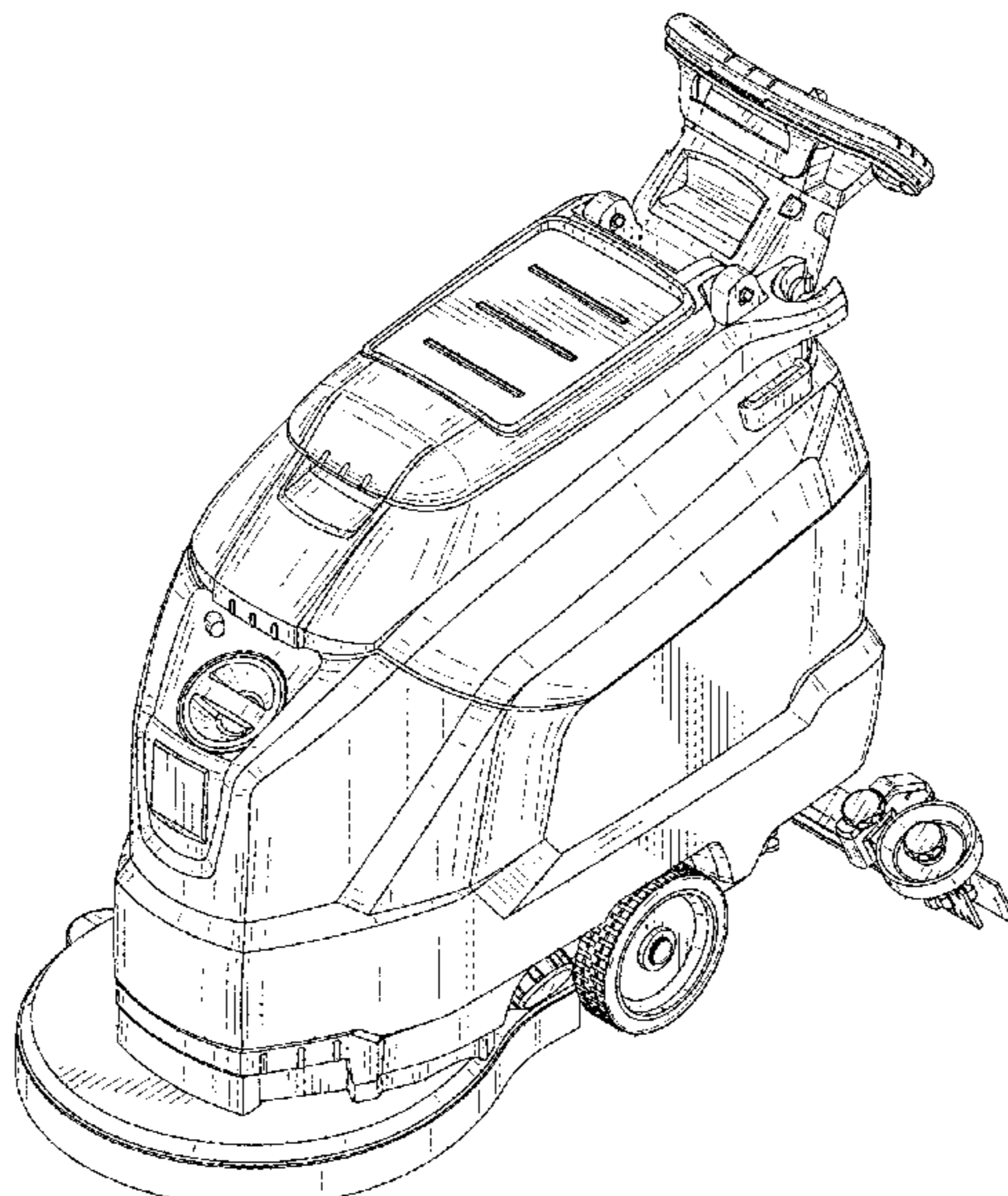
(56) **References Cited**

U.S. PATENT DOCUMENTS

D202,170 S * 9/1965 Little 15/320
D206,576 S * 1/1967 Knapp D32/16
4,667,364 A * 5/1987 Meili A47L 11/293
15/319
4,759,094 A * 7/1988 Palmer A47L 11/30
15/320
D332,158 S * 12/1992 Bothun D32/15
D417,045 S * 11/1999 Dziersek D32/16
D510,896 S * 10/2005 Hoelzel D12/175

FIG. 1 is a front, top and right side perspective view of a
floor cleaning machine showing the new design;
FIG. 2 is a front, top and left side perspective view thereof;
FIG. 3 is a front elevational view thereof;
FIG. 4 is a right side elevational view thereof;
FIG. 5 is a rear elevational view thereof;
FIG. 6 is a left side elevational view thereof; and,
FIG. 7 is a top plan view thereof.
The broken line showing of various elements in FIG. 5
forms no part of the claimed design.

1 Claim, 7 Drawing Sheets



(56)

References Cited

U.S. PATENT DOCUMENTS

2010/0212690 A1* 8/2010 Linden A47L 11/4038
134/6
2011/0047730 A1* 3/2011 Krausnick A47L 11/305
15/49.1
2011/0197916 A1* 8/2011 Oberhaensli A47L 11/30
134/6
2014/0144467 A1* 5/2014 Merz A47L 11/4055
134/6

OTHER PUBLICATIONS

Extract from catalog of Alfred Kaercher GmbH & Co. KG, "Programme 2012 Kaercher Professional (Professional)", cover, pp. 219, 220 and last page (Nov. 2011).

Extract from catalog of Alfred Kaercher GmbH & Co. KG, "Programme 2013 Kaercher Professional (Professional)", cover, pp. 134-136, 138-140, 142-146, 148, 152, 156, 158-162, 164, 166, 168, 169, 238 and last page (Nov. 2012).

Extract from catalog of Alfred Kaercher GmbH & Co. KG, "Programme 2014 Kaercher Professional (Professional)", cover, pp. 13, 286-288, 290-292, 294-300, 304, 308, 312-316, 318, 322, 326-328 and last page (Oct. 2013).

Extract from catalog of Alfred Kaercher GmbH & Co. KG, "Kaercher Programme 2015 Professional", cover, pp. 11, 379, 382, 386, 390, 394, 396, 400-402, 406, 410, 414, 418, 420, 422-426, 428-430, 432-434, 436, 437 and last page (Nov. 2014).

* cited by examiner

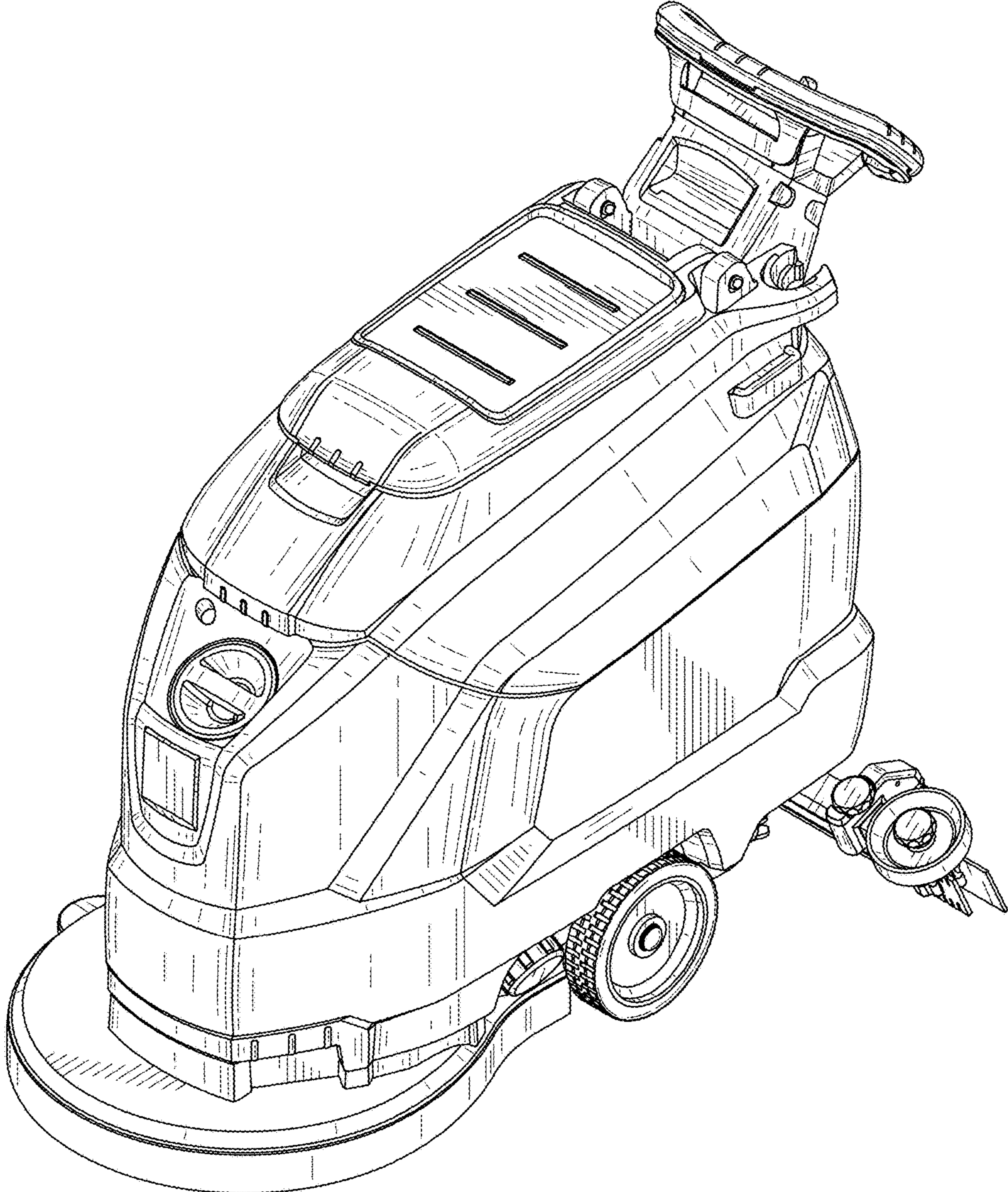


FIG. 1

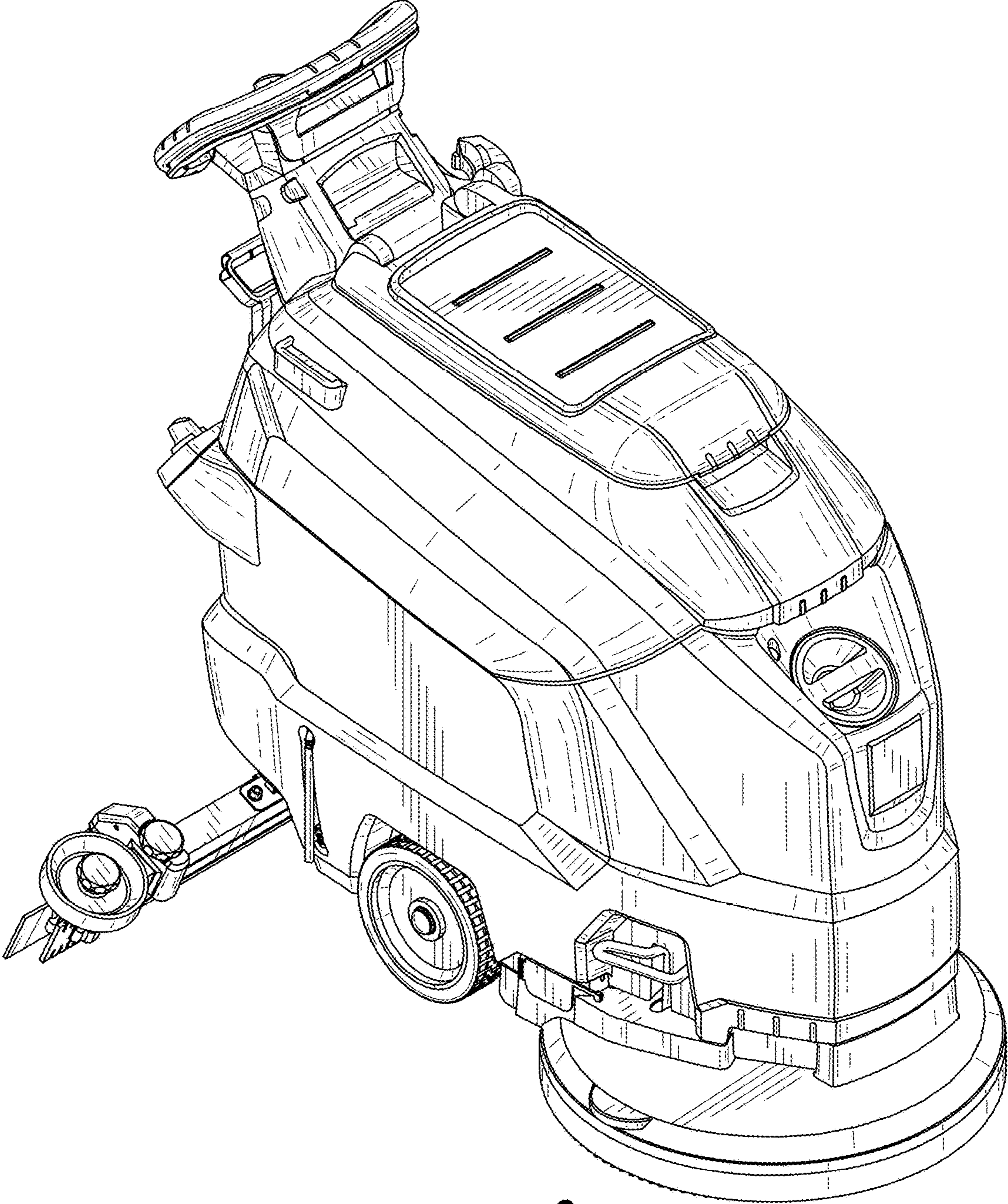


FIG. 2

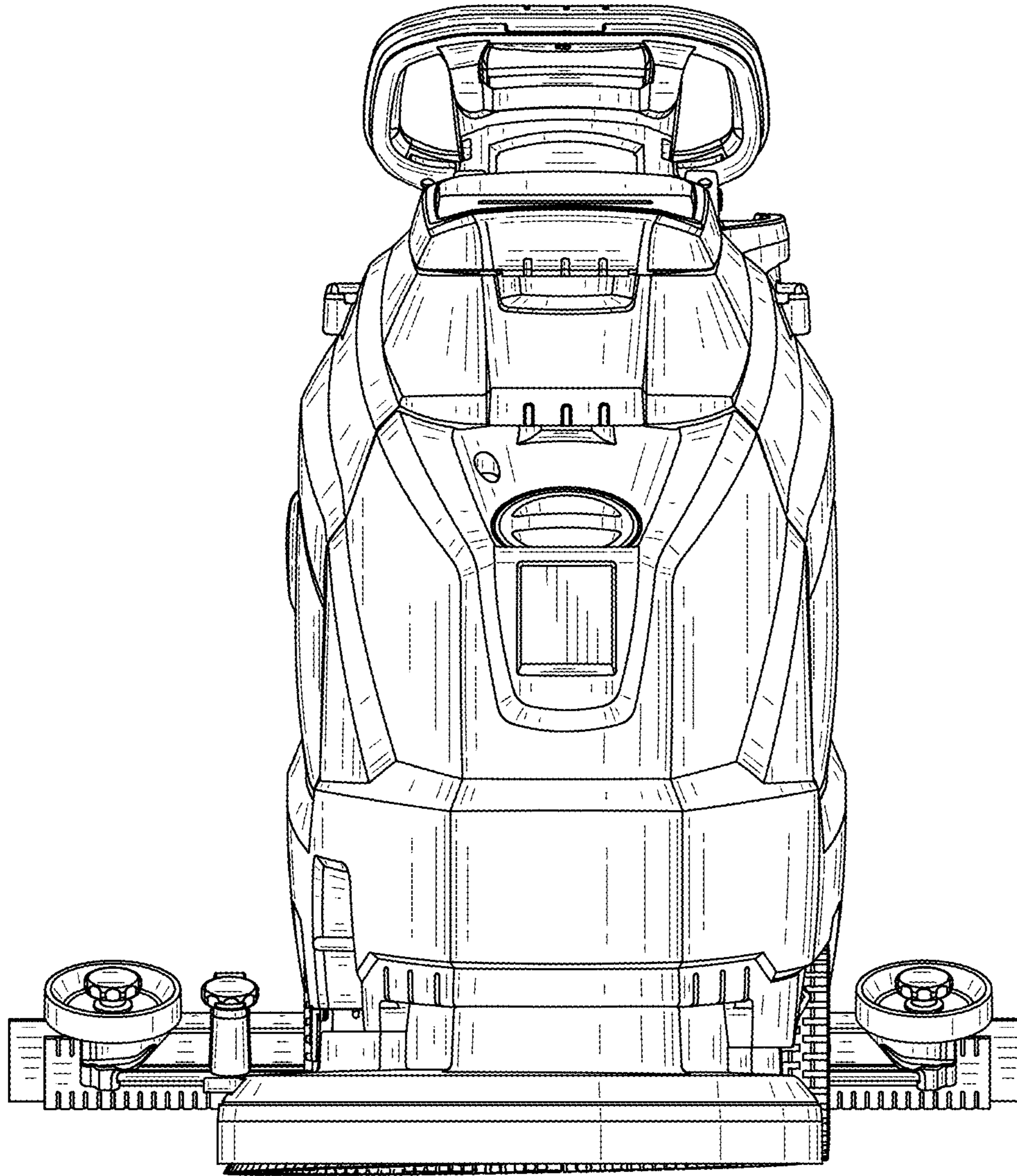


FIG. 3

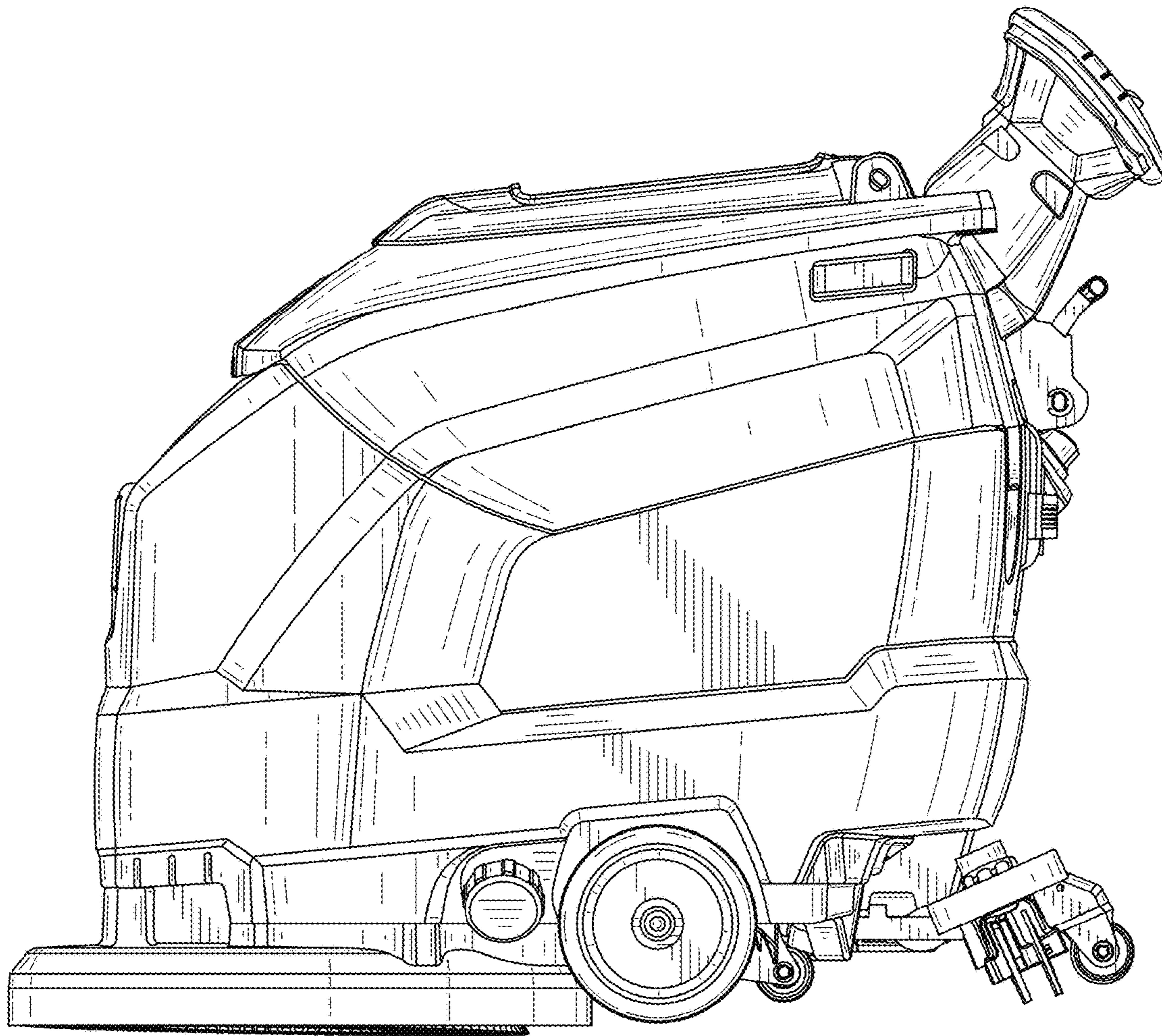


FIG. 4

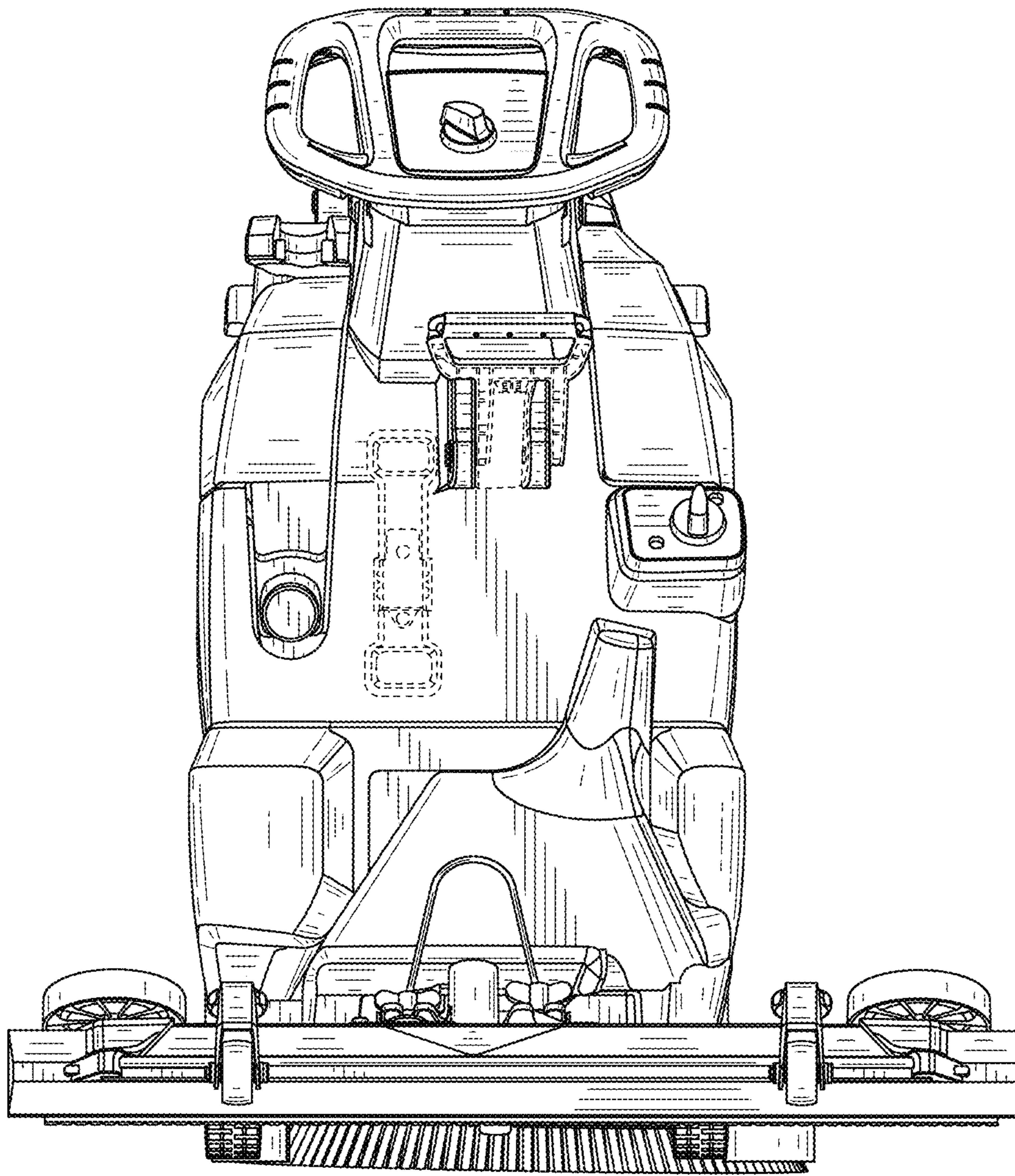


FIG. 5

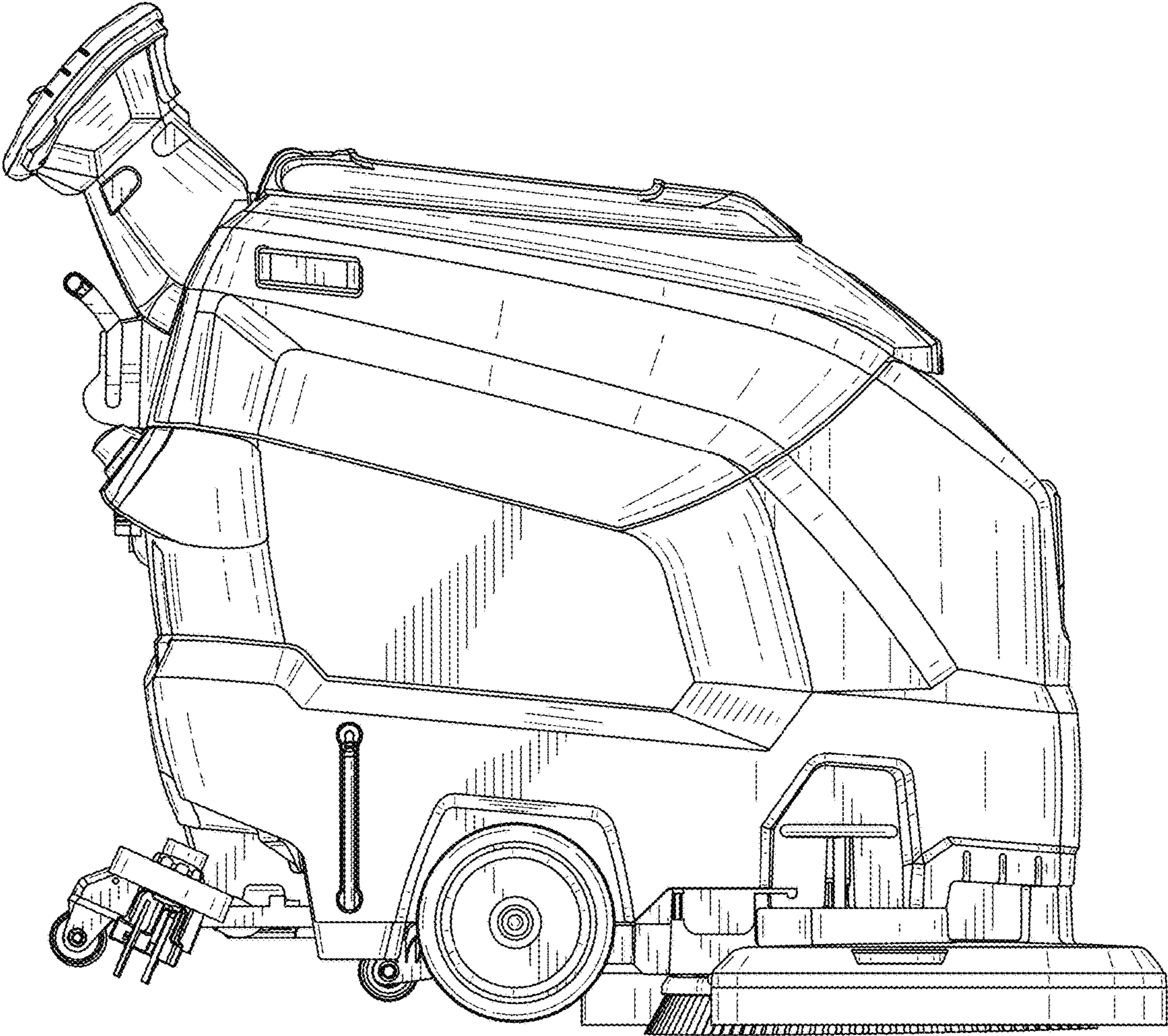


FIG. 6

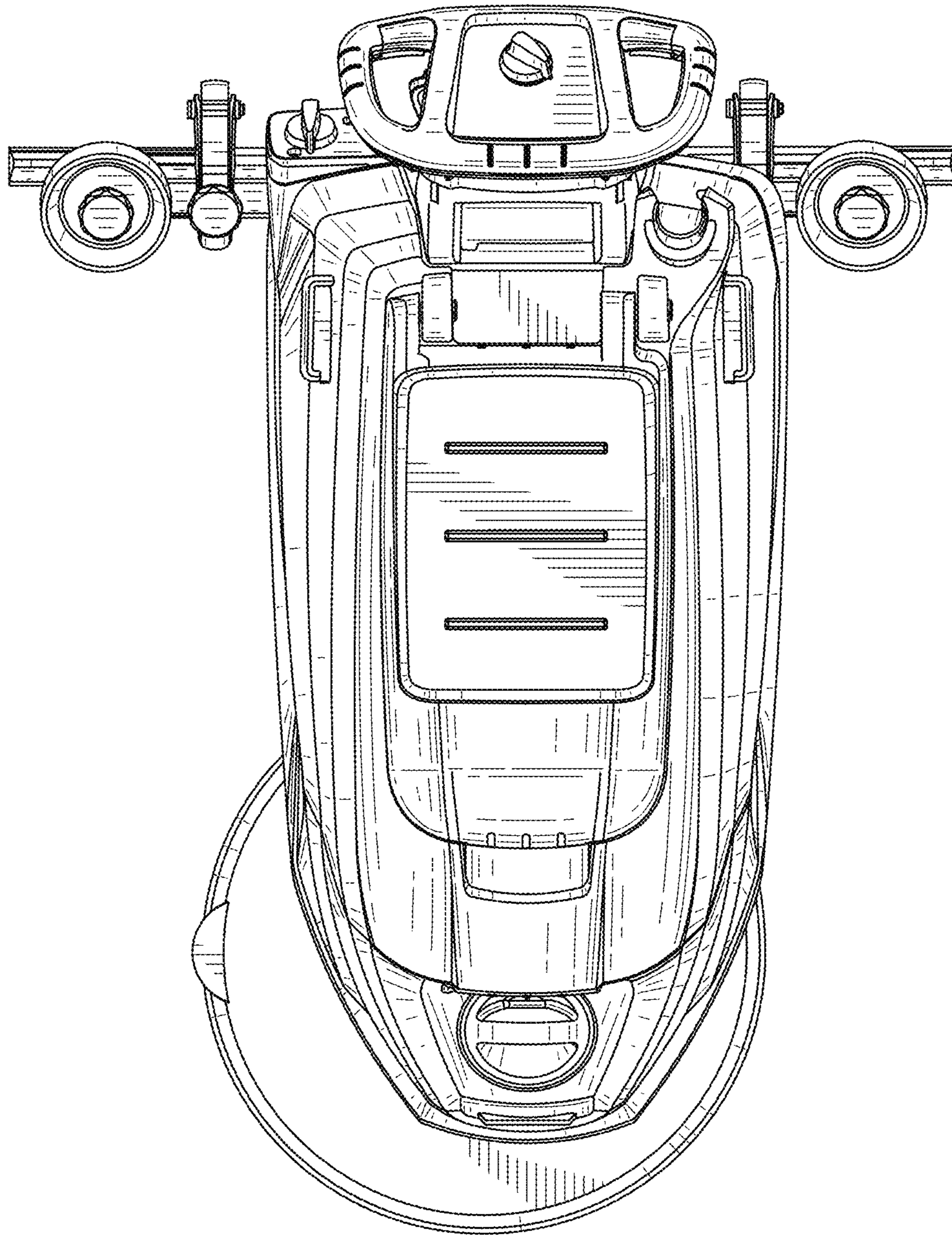


FIG. 7