



US00D785249S

(12) **United States Design Patent**
Torres

(10) **Patent No.:** **US D785,249 S**

(45) **Date of Patent:** **** Apr. 25, 2017**

(54) **BLADE SETTER FOR ELECTRIC CLIPPERS**

(71) Applicant: **Chuka Torres**, Sacramento, CA (US)

(72) Inventor: **Chuka Torres**, Sacramento, CA (US)

(**) Term: **15 Years**

(21) Appl. No.: **29/538,943**

(22) Filed: **Sep. 9, 2015**

(51) **LOC (10) Cl.** **28-03**

(52) **U.S. Cl.**
USPC **D28/54**

(58) **Field of Classification Search**
USPC D28/54
CPC . B26B 19/38; B26B 19/3806; B26B 19/3826;
B26B 19/3846; B26B 19/20; B26B
19/205

See application file for complete search history.

(56) **References Cited**

U.S. PATENT DOCUMENTS

7,188,422	B2 *	3/2007	McCambridge	B26B 19/06 30/122
7,290,349	B1 *	11/2007	Carpenter	B26B 19/3846 30/200
7,703,210	B2 *	4/2010	Lau	B26B 19/205 30/196
8,191,264	B2 *	6/2012	Veenstra	B26B 19/141 30/346.51
8,806,757	B2 *	8/2014	Moseman	B26B 19/205 30/208
9,089,979	B2 *	7/2015	Hodge	B26B 19/3846
9,144,913	B2 *	9/2015	Gross	B26B 19/3846
2003/0051346	A1 *	3/2003	McCambridge	B26B 19/06 30/122
2008/0005908	A1 *	1/2008	Melton	A45D 24/36 30/233.5
2008/0282550	A1 *	11/2008	Piwaron	B26B 19/06 30/210

2008/0289192	A1 *	11/2008	Martelli	B26B 19/20 30/233.5
2009/0019706	A1 *	1/2009	Werner	B26B 19/3813 30/233.5
2011/0061243	A1 *	3/2011	Smit	B26B 19/20 30/233.5
2011/0146084	A1 *	6/2011	Melton	A45D 24/36 30/233.5
2011/0265331	A1 *	11/2011	Moseman	B26B 19/205 30/43.92
2013/0255455	A1 *	10/2013	McCue	B26B 19/06 83/13
2014/0026422	A1 *	1/2014	Lau	B26B 19/06 30/30

(Continued)

OTHER PUBLICATIONS

“On the money” 10sec Blade Setter, www.youtube.com/watch?v=Xuslap9JiU, published Jul. 30, 2014, 1page.*

Primary Examiner — Jennifer Rivard
(74) *Attorney, Agent, or Firm* — Heisler & Associate

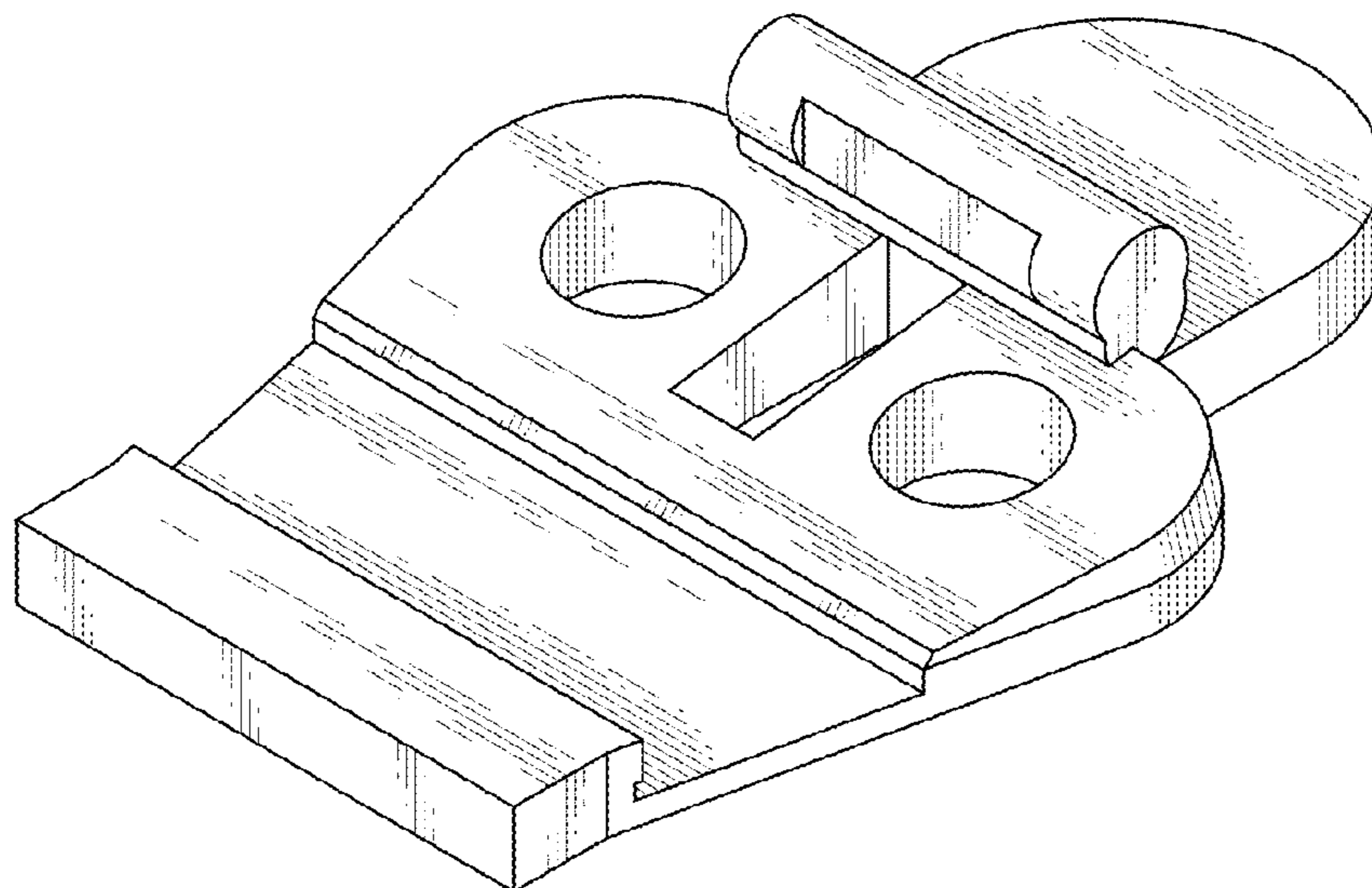
(57) **CLAIM**

The ornamental design for blade setter for electric clippers, as shown and described.

DESCRIPTION

FIG. 1 is a perspective view of a blade setter for electric clippers;
FIG. 2 is a front elevation view of the invention;
FIG. 3 is a right side view of the invention, the left side view being a mirror image;
FIG. 4 is a rear elevation view of the invention; and
FIG. 5 is a top plan view of the invention;
FIG. 6 is a bottom plan view of the invention; and,
FIG. 7 is a front elevation view of the invention in use.
The broken lines in the drawings represent unclaimed environmental subject matter and form no part of the claim.

1 Claim, 2 Drawing Sheets



(56)

References Cited

U.S. PATENT DOCUMENTS

2014/0115865 A1* 5/2014 Gross B26B 19/3846
29/465
2014/0317932 A1* 10/2014 Van Straaten B26B 19/06
30/34.1
2014/0331504 A1* 11/2014 Michel B26B 19/3813
30/233.5
2016/0059428 A1* 3/2016 Lau B26B 19/06
30/30
2016/0075039 A1* 3/2016 Werner B26B 19/06
30/201
2016/0207208 A1* 7/2016 Tuijp B26B 19/06
2016/0207209 A1* 7/2016 Ulery, II B26B 19/20

* cited by examiner

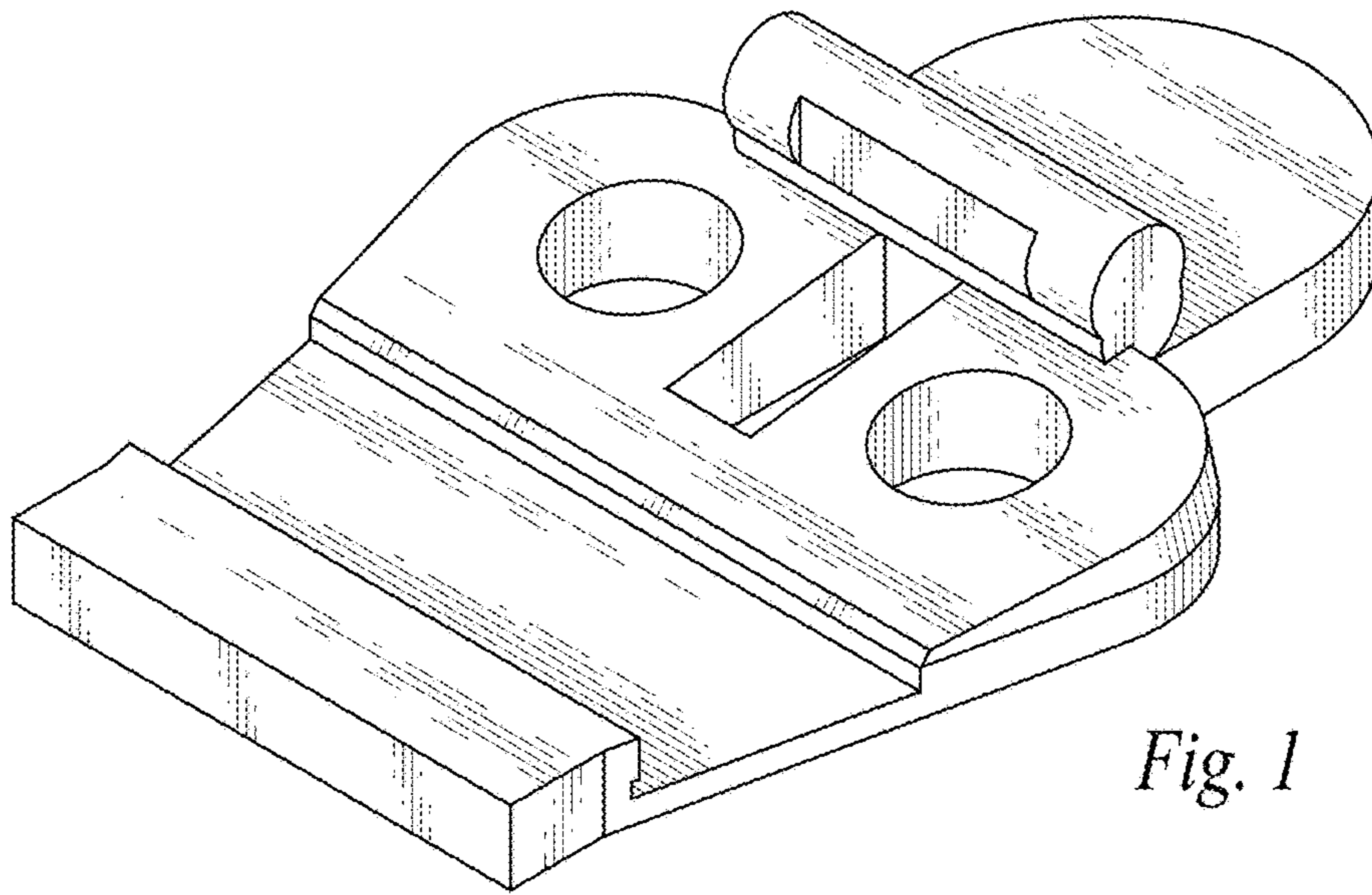


Fig. 1

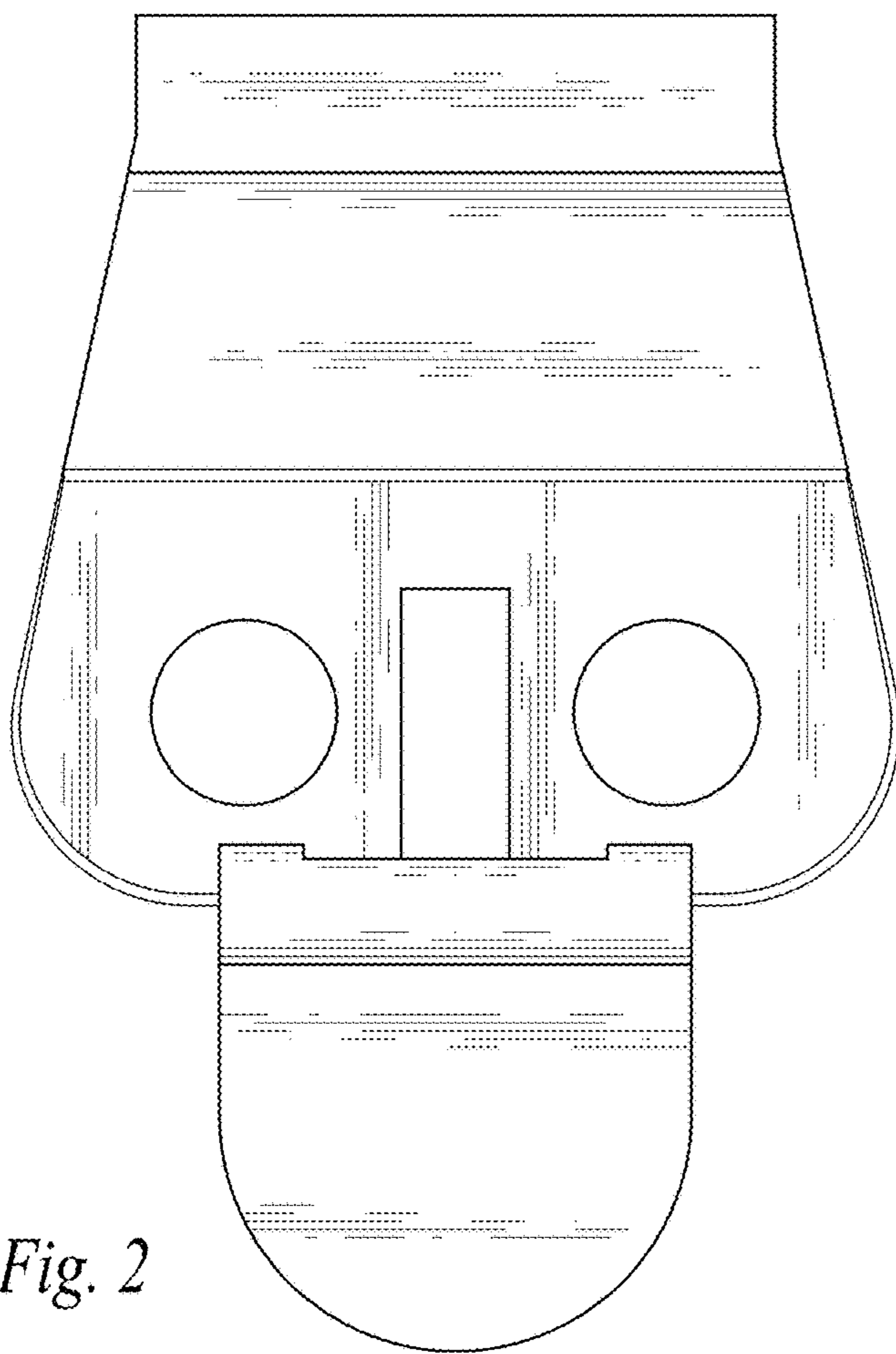


Fig. 2

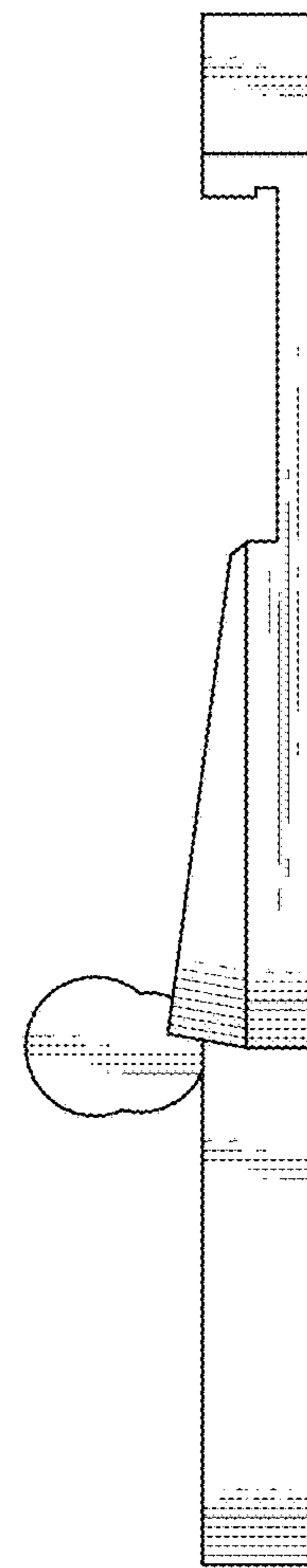


Fig. 3

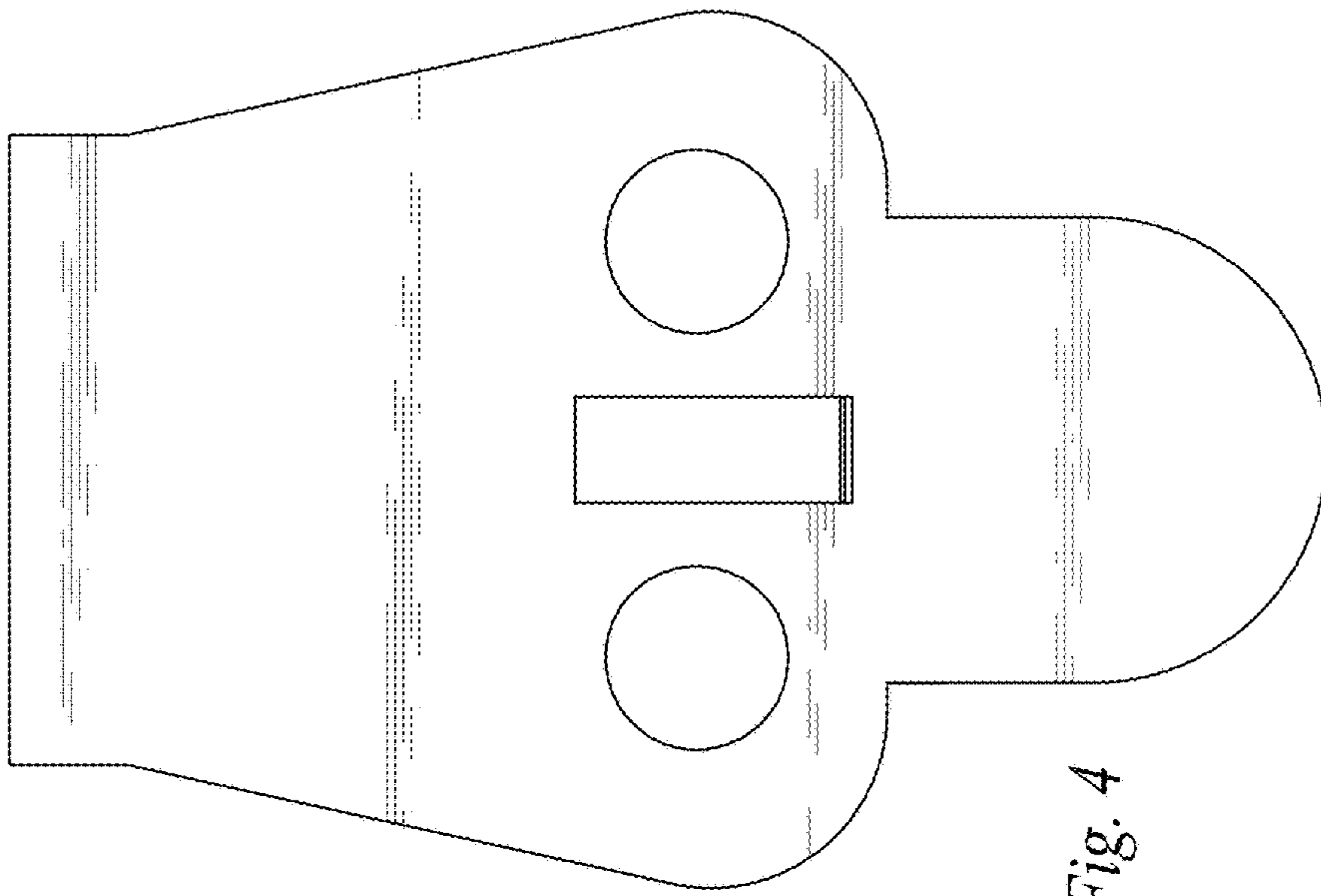


Fig. 4

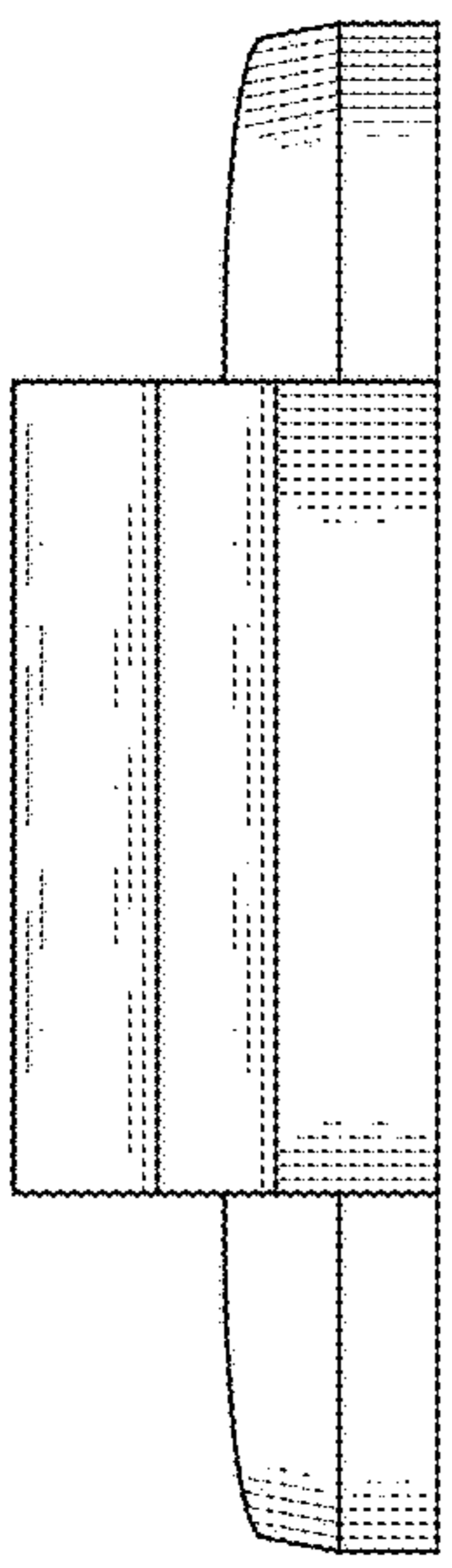


Fig. 6

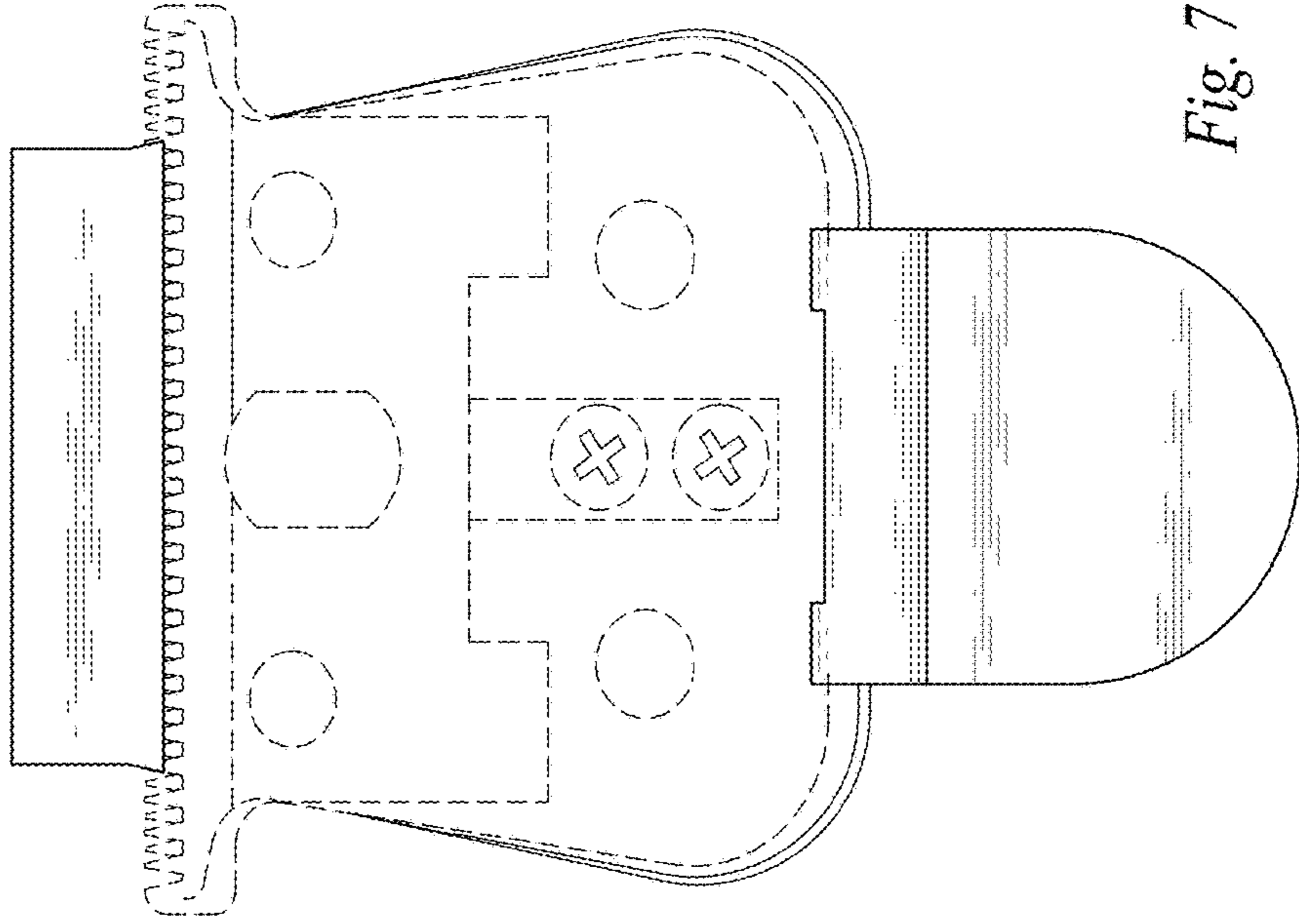


Fig. 7

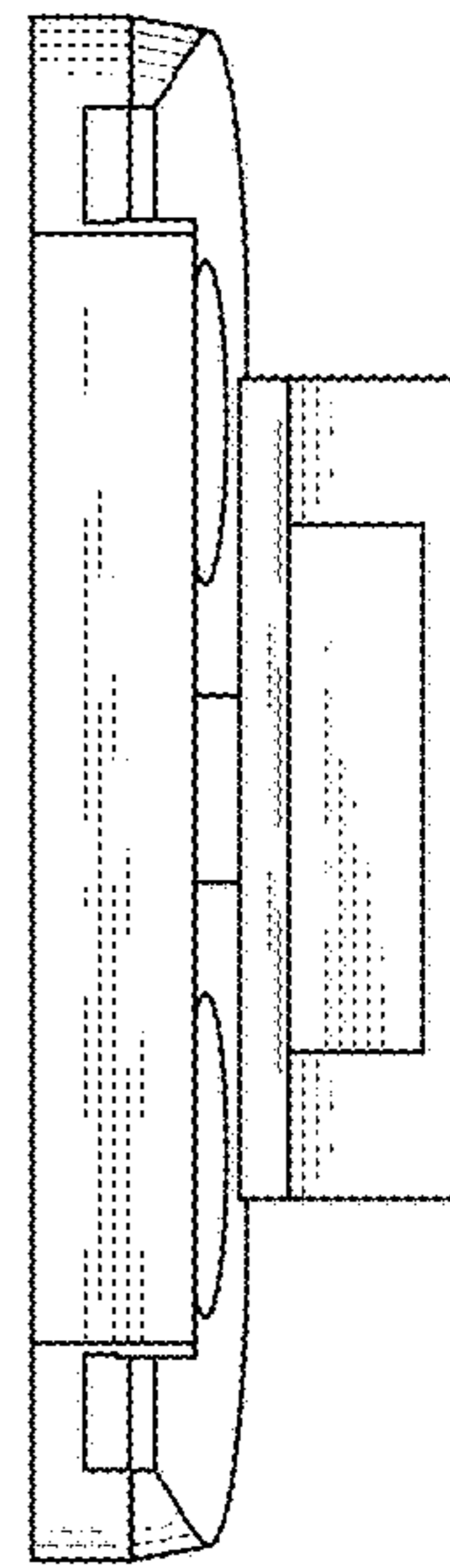


Fig. 5