



US00D785245S

(12) **United States Design Patent** (10) **Patent No.:** **US D785,245 S**
Carlucci (45) **Date of Patent:** **** Apr. 25, 2017**

(54) **HAIR ROLLER**

(71) Applicant: **Conair Corporation**, Stamford, CT (US)

(72) Inventor: **Vito Carlucci**, Stratford, CT (US)

(73) Assignee: **CONAIR CORPORATION**, Stamford, CT (US)

(**) Term: **15 Years**

(21) Appl. No.: **29/537,725**

(22) Filed: **Aug. 28, 2015**

(51) **LOC (10) Cl.** **28-03**

(52) **U.S. Cl.**
USPC **D28/37**

(58) **Field of Classification Search**
USPC D28/35, 38, 37
CPC A45D 4/00-4/06; A45D 2/12-2/22; A45D 4/16; A45D 4/18; A45D 2/00; A45D 2/001; A45D 2/002; A45D 2/02; A45D 2/04; A45D 2/06; A45D 2/08; A45D 2/10; A45D 2/24-2/34; A45D 2/36-2/367
See application file for complete search history.

3,603,765 A * 9/1971 Underwood A45D 4/16
132/229

D300,472 S * 3/1989 Keung D28/38

4,984,591 A * 1/1991 Jacobi A45D 4/16
132/226

D317,215 S * 5/1991 Montagnino D28/38

5,076,299 A * 12/1991 Wistrand A45D 2/02
132/245

D325,104 S * 3/1992 Wistrand D28/37

D328,802 S * 8/1992 Barradas D28/35

D332,155 S * 12/1992 Wistrand D28/38

D336,542 S * 6/1993 Barradas D28/37

5,622,193 A 4/1997 Pekarik

5,660,192 A 8/1997 Kim

D397,828 S * 9/1998 Kip D28/38

5,839,450 A 11/1998 Glasscock

5,901,711 A 5/1999 Jeremy

5,979,464 A 11/1999 Teratani et al.

5,983,904 A 11/1999 Fung

5,992,425 A 11/1999 Teratani et al.

6,085,758 A 7/2000 Bermudez

(Continued)

Primary Examiner — Jennifer Rivard
(74) *Attorney, Agent, or Firm* — Carter, DeLuca, Farrell & Schmidt, LLP; Joseph W. Schmidt

(57) **CLAIM**

The ornamental design for a hair roller, as shown and described.

DESCRIPTION

FIG. 1 is a perspective view of the front and right sides of the hair roller in accordance with the principles of the present disclosure;
FIG. 2 is a left side elevation view of the hair roller, the right side elevation view being a mirror image thereof;
FIG. 3 is a top plan view of the hair roller; and,
FIG. 4 is a bottom plan view of the hair roller.
The broken lines illustrate portions of the hair roller and form no part of the claimed design.

1 Claim, 2 Drawing Sheets

(56) **References Cited**

U.S. PATENT DOCUMENTS

2,433,141 A * 12/1947 McPherson A45D 2/10
132/248

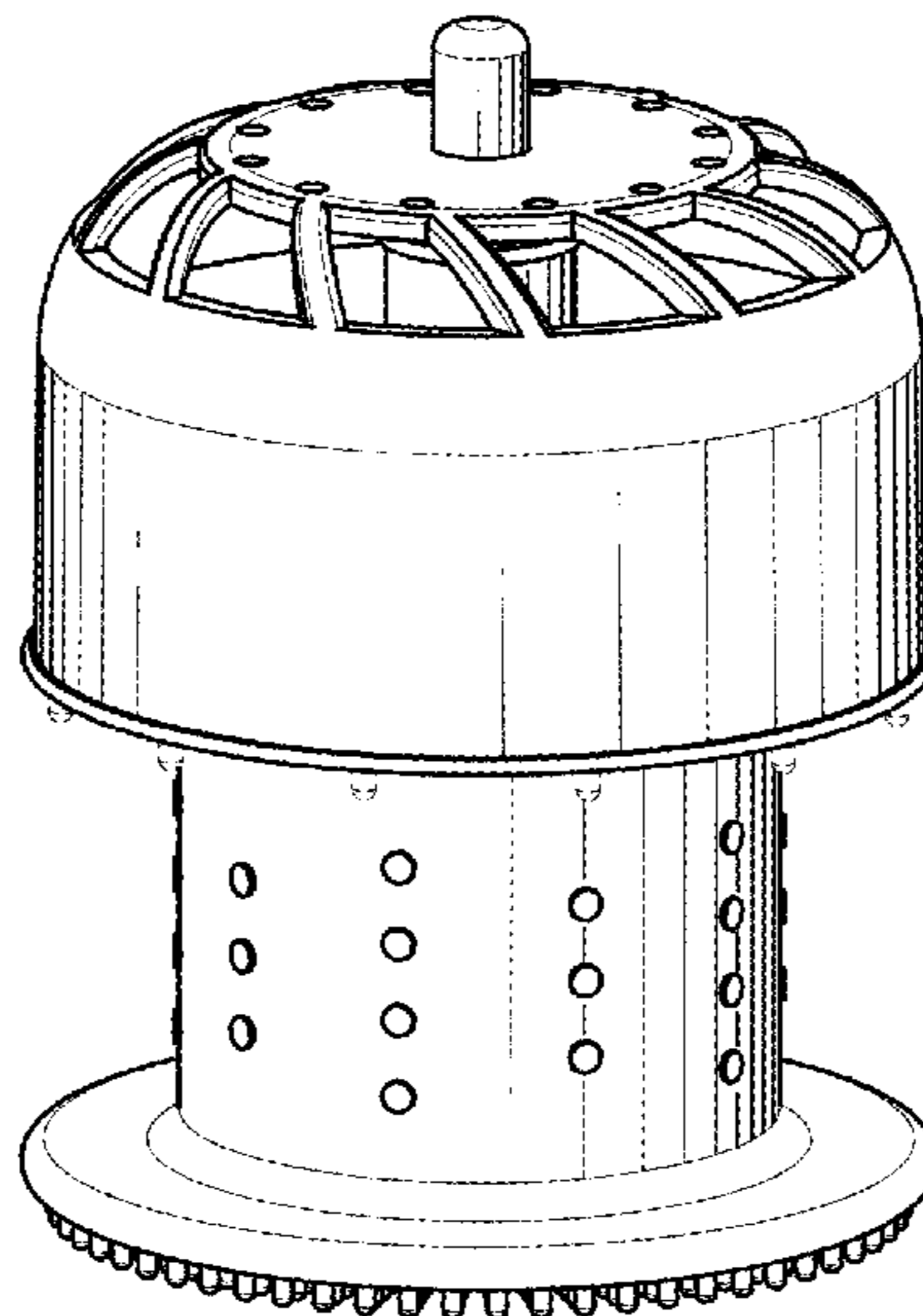
2,452,225 A * 10/1948 Coloccia A45D 2/10
132/247

2,555,933 A * 6/1951 Renstrom A45D 2/10
132/247

2,589,832 A * 3/1952 Loewenstein A45D 2/10
132/252

2,623,530 A * 12/1952 Solomon A45D 2/10
132/253

2,713,864 A * 7/1955 Solomon A45D 2/02
132/243



(56)

References Cited

U.S. PATENT DOCUMENTS

6,363,946	B1	4/2002	Sumner	
6,861,623	B1	3/2005	Wong	
7,078,654	B1 *	7/2006	Tsen	A45D 4/16 219/222
D543,659	S	5/2007	Cheung	
D543,660	S	5/2007	Cheung	
7,513,259	B2	4/2009	Kimata et al.	
7,971,593	B2	7/2011	Bartels	
D648,894	S *	11/2011	Richmond	D28/38
8,342,189	B2	1/2013	Gregorek	
D698,490	S *	1/2014	Xu	D28/37
8,671,957	B1 *	3/2014	James	A45D 2/10 132/247
D742,067	S *	10/2015	James	D28/37
2005/0056297	A1 *	3/2005	Maione	A45D 2/362 132/231
2005/0061353	A1 *	3/2005	Kaizuka	A45D 4/16 132/227
2009/0293901	A1 *	12/2009	Chan	A45D 2/146 132/245
2010/0116286	A1 *	5/2010	O'Rourke	A45D 2/122 132/254
2014/0041679	A1 *	2/2014	Spenard	A45D 2/146 132/265

* cited by examiner

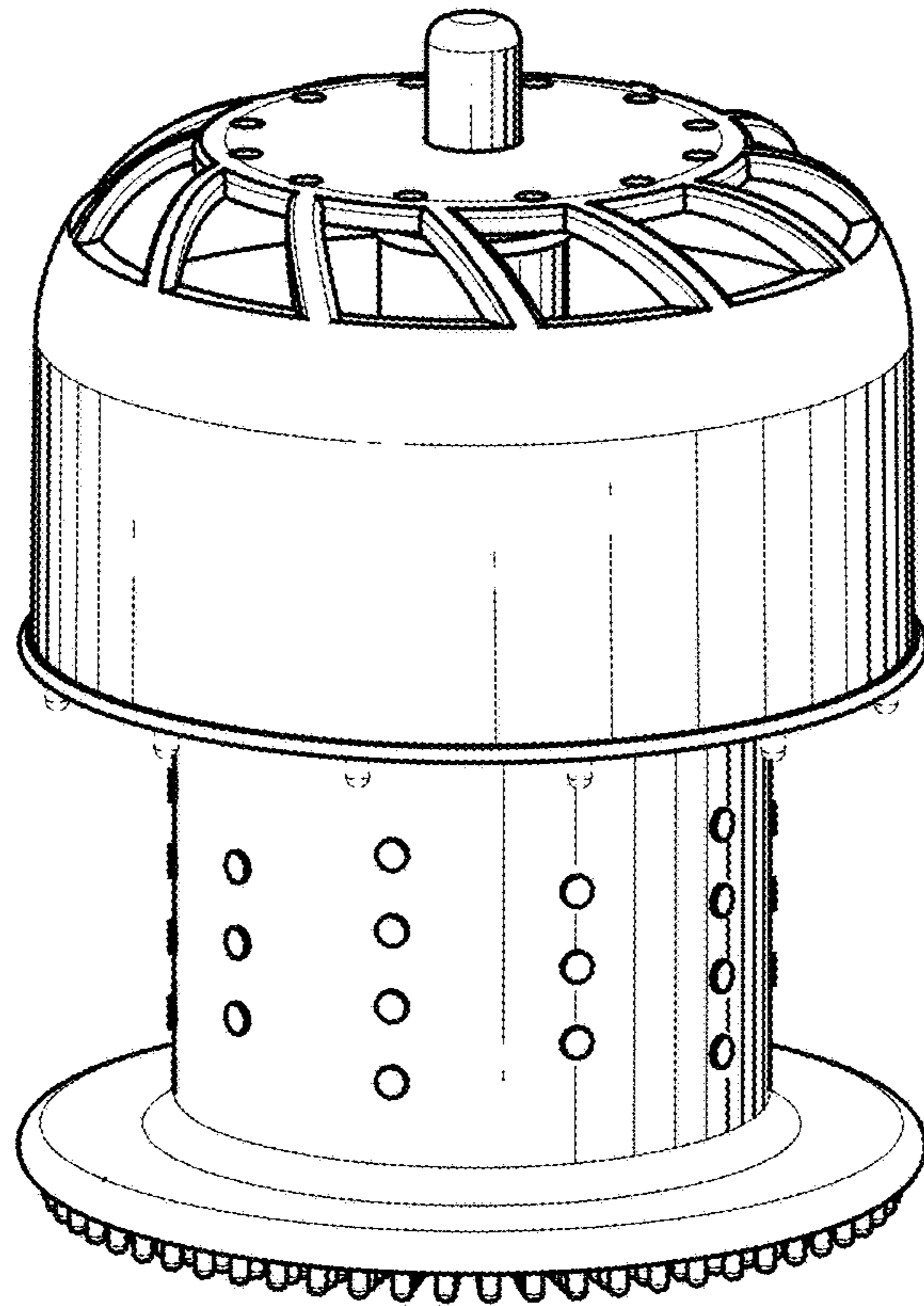


FIG. 1

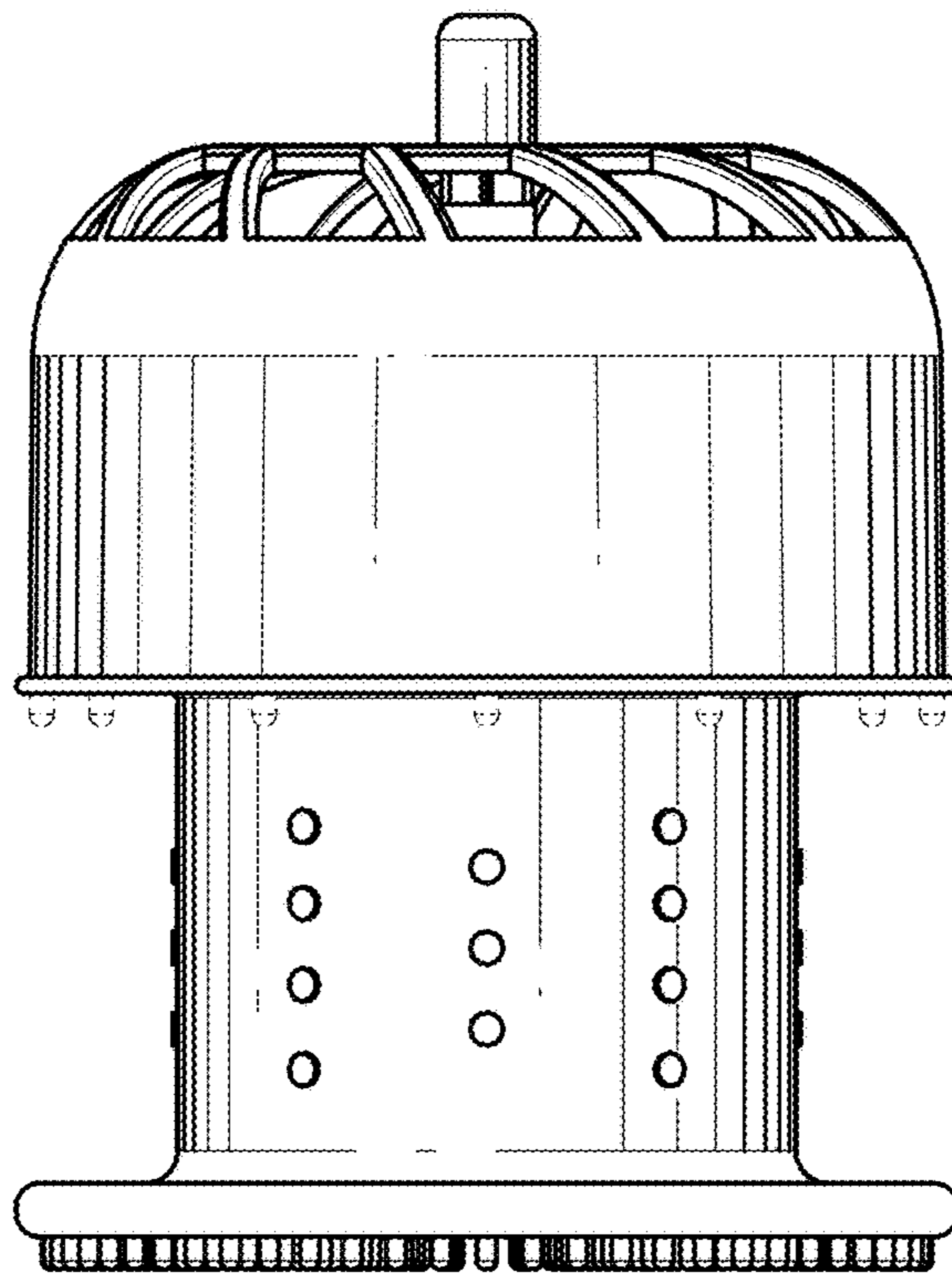


FIG. 2

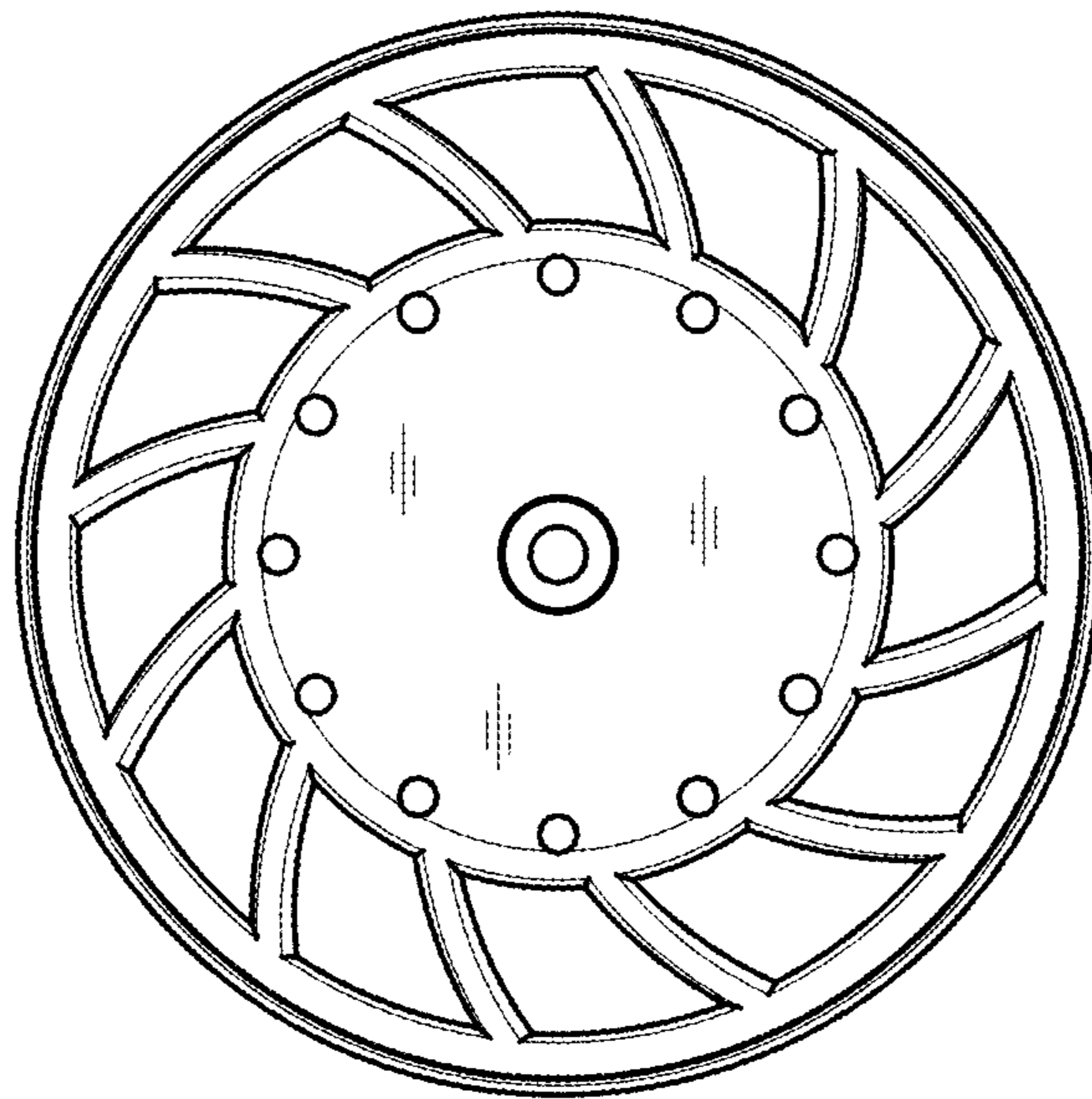


FIG. 3

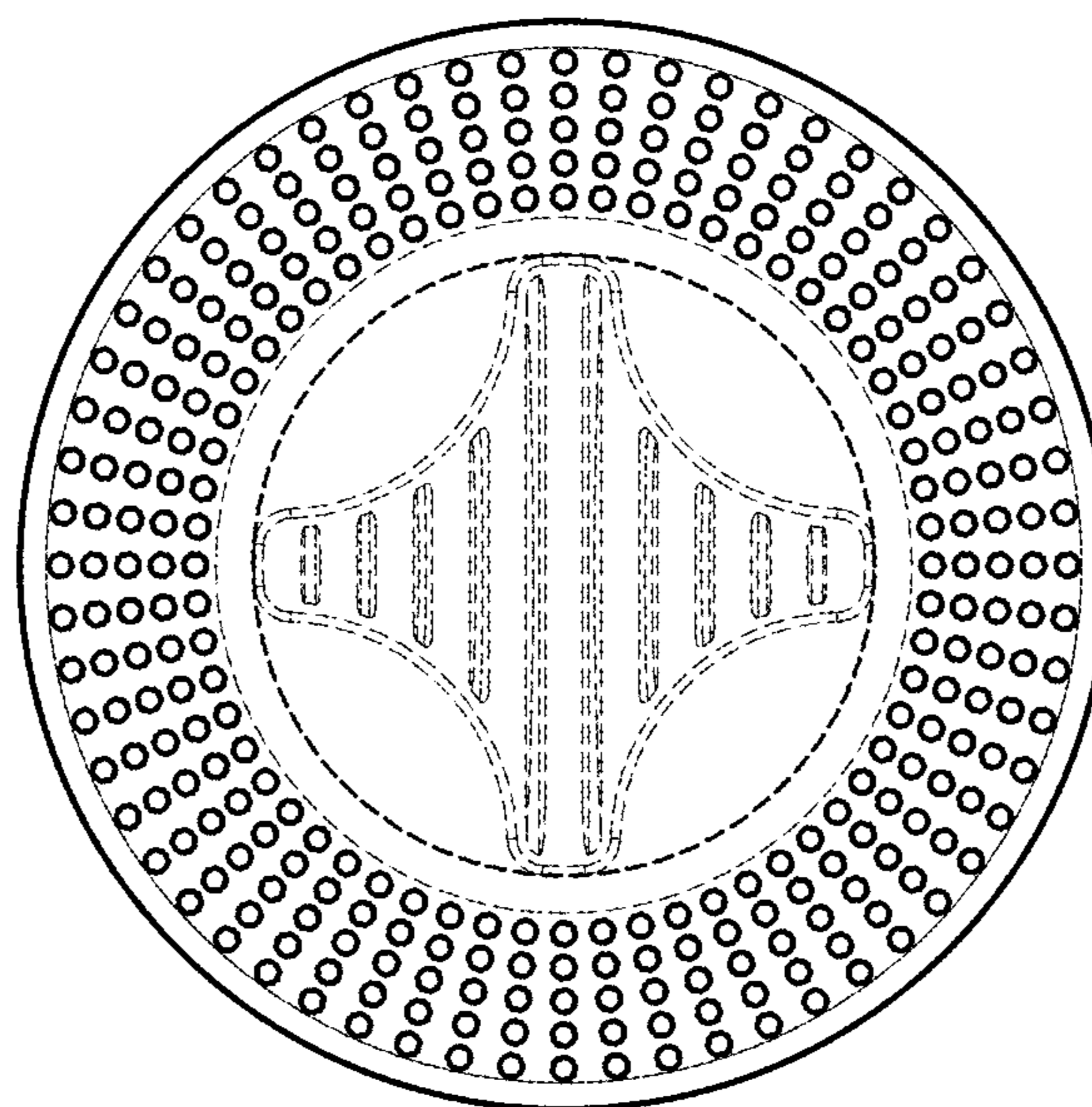


FIG. 4