



US00D785244S

(12) **United States Design Patent**
Carlucci

(10) **Patent No.:** **US D785,244 S**

(45) **Date of Patent:** **** Apr. 25, 2017**

- (54) **HAIR ROLLER**
- (71) Applicant: **Conair Corporation**, Stamford, CT (US)
- (72) Inventor: **Vito Carlucci**, Stratford, CT (US)
- (73) Assignee: **CONAIR CORPORATION**, Stamford, CT (US)
- (**) Term: **15 Years**
- (21) Appl. No.: **29/537,721**
- (22) Filed: **Aug. 28, 2015**
- (51) **LOC (10) Cl.** **28-03**
- (52) **U.S. Cl.**
USPC **D28/37**
- (58) **Field of Classification Search**
USPC D28/35, 38, 37
CPC A45D 4/00-4/06; A45D 2/12-2/22; A45D 4/16; A45D 4/18; A45D 2/00; A45D 2/001; A45D 2/002; A45D 2/02; A45D 2/04; A45D 2/06; A45D 2/08; A45D 2/10; A45D 2/24-2/34; A45D 2/36-2/367
See application file for complete search history.

3,603,765 A *	9/1971	Underwood	A45D 4/16
				132/229
D300,472 S *	3/1989	Keung	D28/38
4,984,591 A *	1/1991	Jacobi	A45D 4/16
				132/226
D317,215 S *	5/1991	Montagnino	D28/38
5,076,299 A *	12/1991	Wistrand	A45D 2/02
				132/245
D325,104 S *	3/1992	Wistrand	D28/37
D328,802 S *	8/1992	Barradas	D28/35
D332,155 S *	12/1992	Wistrand	D28/38
D336,542 S *	6/1993	Barradas	D28/37
5,622,193 A	4/1997	Pekarik		
5,660,192 A	8/1997	Kim		
D397,828 S *	9/1998	Kip	D28/38
5,839,450 A	11/1998	Glasscock		
5,901,711 A	5/1999	Jeremy		
5,979,464 A	11/1999	Teratani et al.		
5,983,904 A	11/1999	Fung		
5,992,425 A	11/1999	Teratani et al.		
6,085,758 A	7/2000	Bermudez		

(Continued)

Primary Examiner — Jennifer Rivard
(74) *Attorney, Agent, or Firm* — Carter, DeLuca, Farrell & Schmidt, LLP; Joseph W. Schmidt

(57) **CLAIM**

The ornamental design for a hair roller, as shown and described.

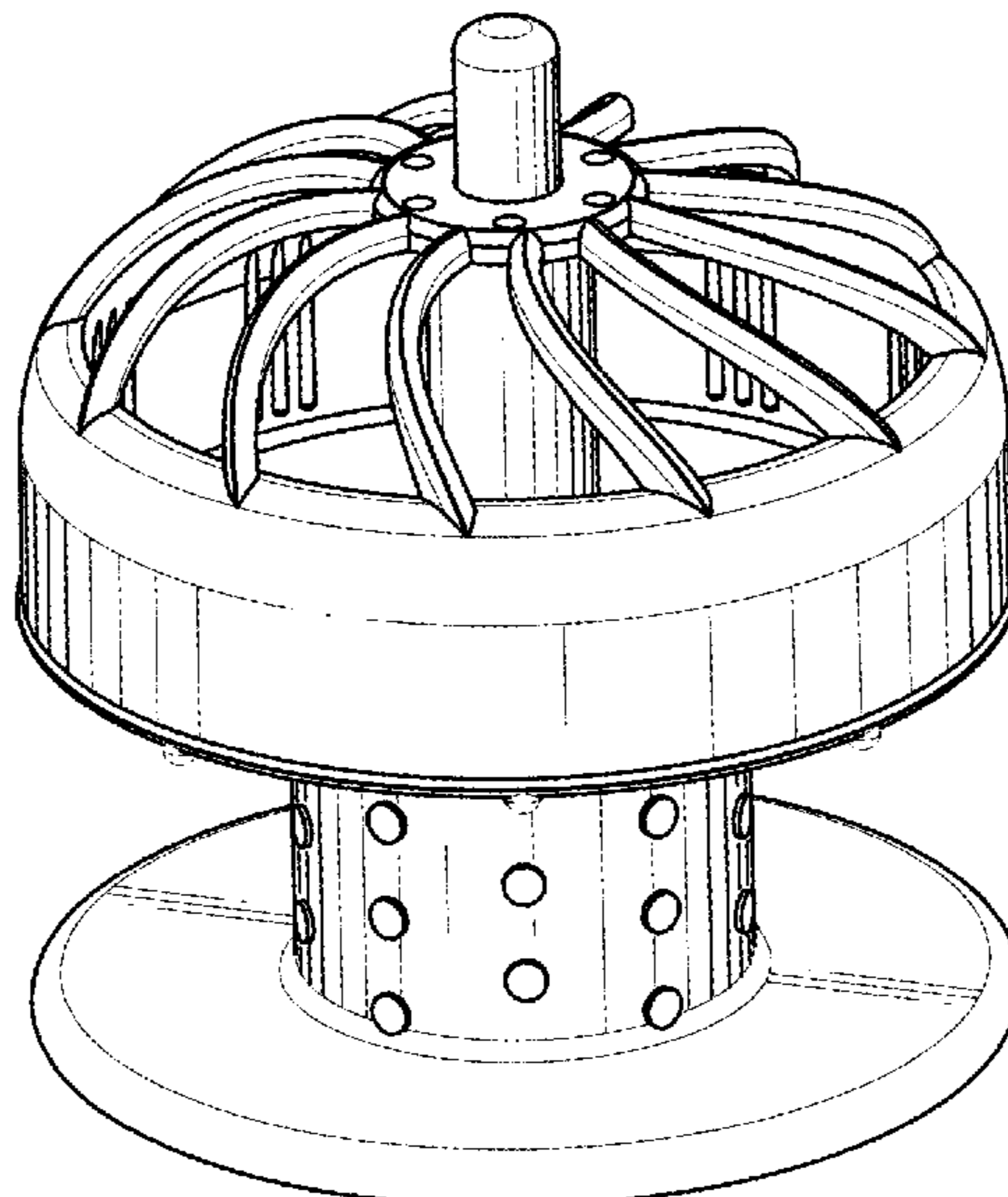
DESCRIPTION

FIG. 1 is a perspective view of the front and right sides of the hair roller in accordance with the principles of the present disclosure; FIG. 2 is a left side elevation view of the hair roller, the right side elevation view being a mirror image thereof; FIG. 3 is a top plan view of the hair roller; and, FIG. 4 is a bottom plan view of the hair roller. The broken lines illustrate portions of the hair roller and form no part of the claimed design.

1 Claim, 2 Drawing Sheets

(56) **References Cited**
U.S. PATENT DOCUMENTS

2,433,141 A *	12/1947	McPherson	A45D 2/10
				132/248
2,452,225 A *	10/1948	Coloccia	A45D 2/10
				132/247
2,555,933 A *	6/1951	Renstrom	A45D 2/10
				132/247
2,589,832 A *	3/1952	Loewenstein	A45D 2/10
				132/252
2,623,530 A *	12/1952	Solomon	A45D 2/10
				132/253
2,713,864 A *	7/1955	Solomon	A45D 2/02
				132/243



(56)

References Cited

U.S. PATENT DOCUMENTS

6,363,946	B1	4/2002	Sumner	
6,861,623	B1	3/2005	Wong	
7,078,654	B1 *	7/2006	Tsen	A45D 4/16 219/222
D543,659	S	5/2007	Cheung	
D543,660	S	5/2007	Cheung	
7,513,259	B2	4/2009	Kimata et al.	
7,971,593	B2	7/2011	Bartels	
D648,894	S *	11/2011	Richmond	D28/38
8,342,189	B2	1/2013	Gregorek	
D698,490	S *	1/2014	Xu	D28/37
8,671,957	B1 *	3/2014	James	A45D 2/10 132/247
D742,067	S *	10/2015	James	D28/37
2005/0056297	A1 *	3/2005	Maione	A45D 2/362 132/231
2005/0061353	A1 *	3/2005	Kaizuka	A45D 4/16 132/227
2009/0293901	A1 *	12/2009	Chan	A45D 2/146 132/245
2010/0116286	A1 *	5/2010	O'Rourke	A45D 2/122 132/254
2014/0041679	A1 *	2/2014	Spenard	A45D 2/146 132/265

* cited by examiner

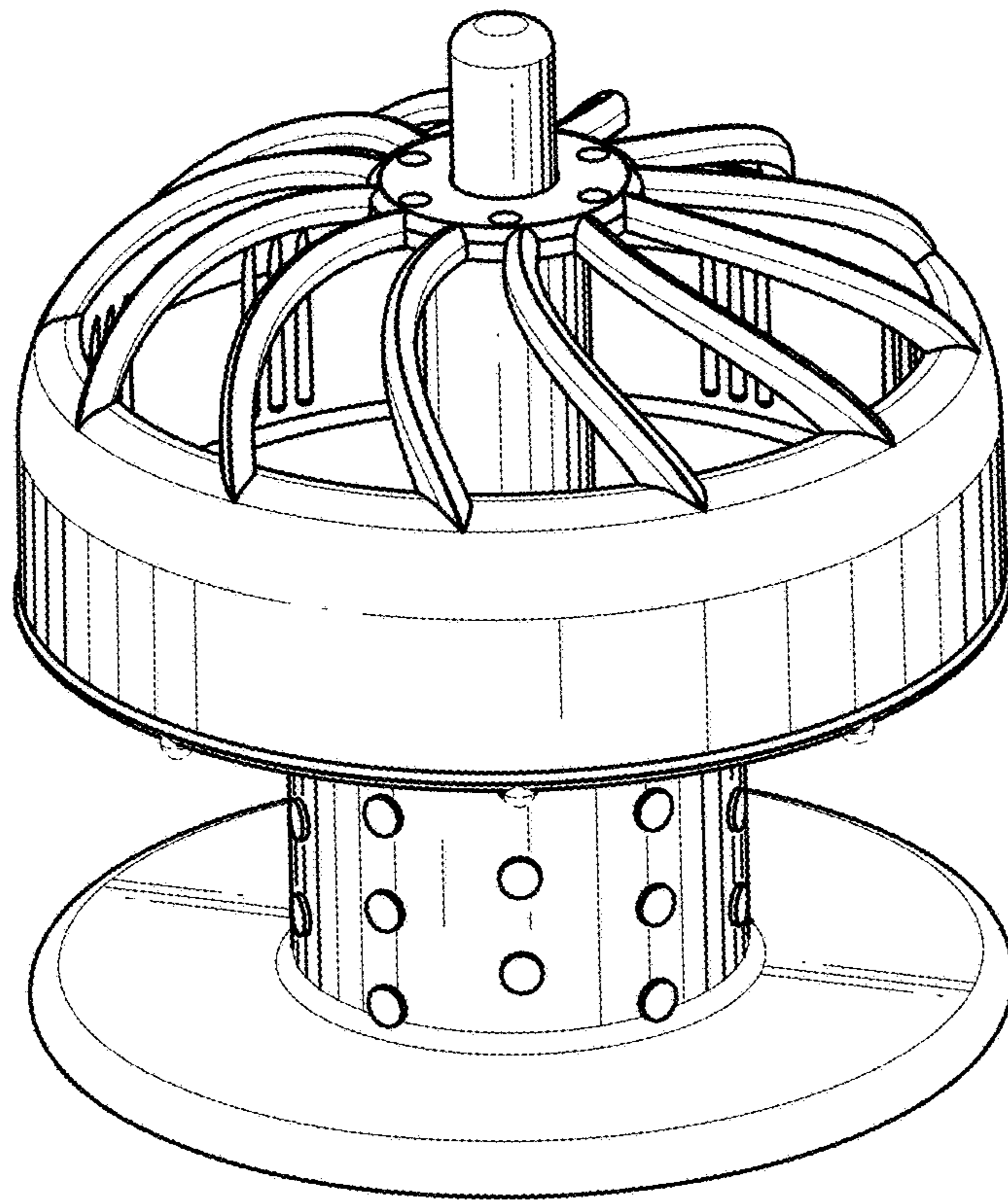


FIG. 1

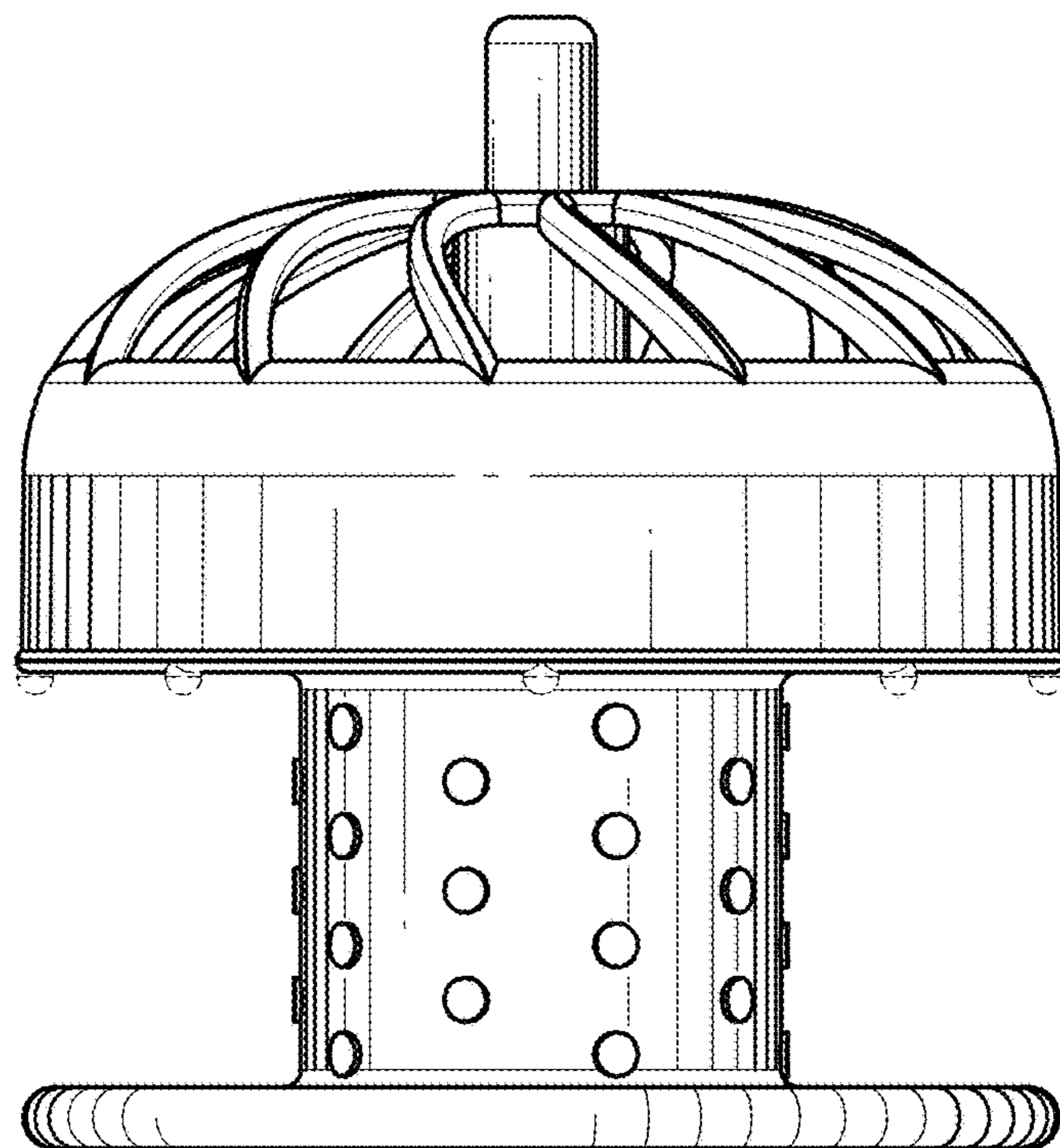


FIG. 2

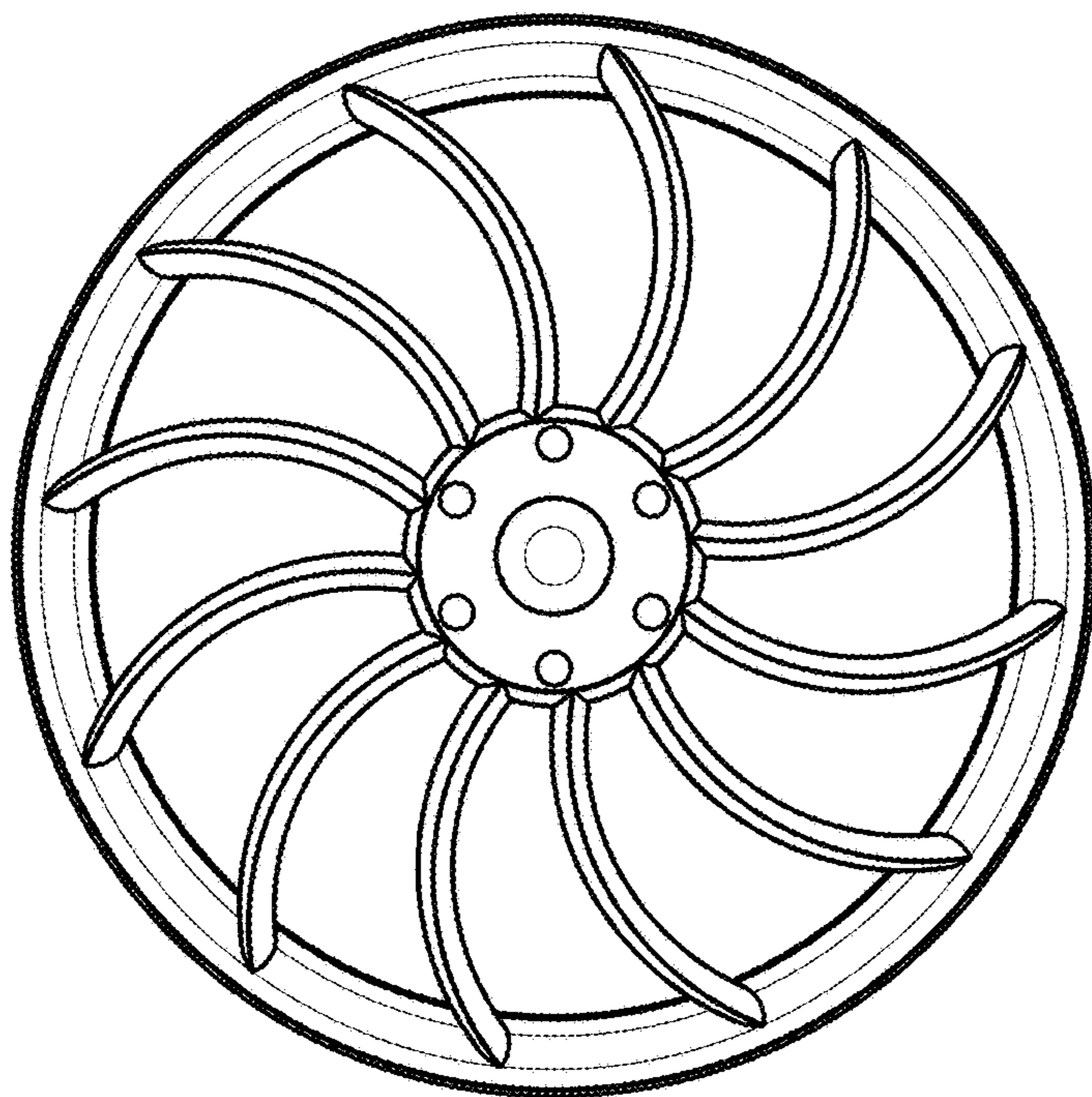


FIG. 3

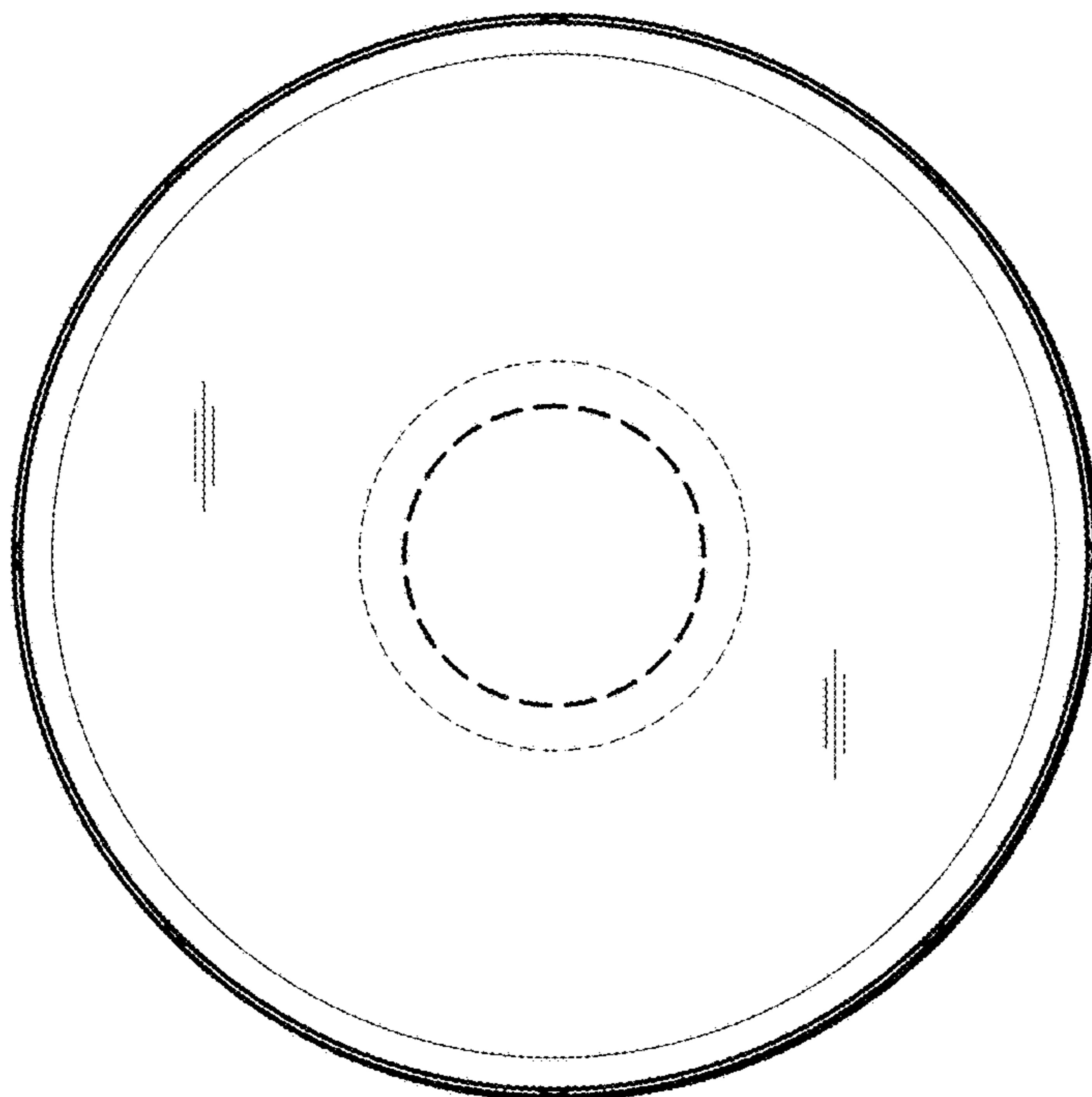


FIG. 4