



US00D785242S

(12) **United States Design Patent**
Julemont

(10) **Patent No.:** **US D785,242 S**
(45) **Date of Patent:** **** Apr. 25, 2017**

(54) **HAIR STYLING APPARATUS**

FOREIGN PATENT DOCUMENTS

(71) Applicant: **Conair Corporation**, Stamford, CT
(US)
(72) Inventor: **Pierre Julemont**, Soumagne (BE)
(73) Assignee: **CONAIR CORPORATION**, Stamford,
CT (US)
(**) Term: **15 Years**

KR WO 2015064860 A1 * 5/2015 A45D 1/04
Primary Examiner — Jennifer Rivard
(74) *Attorney, Agent, or Firm* — Carter, DeLuca, Farrell
& Schmidt, LLP; Joseph W. Schmidt

(21) Appl. No.: **29/529,908**
(22) Filed: **Jun. 11, 2015**
(51) **LOC (10) Cl.** **28-03**
(52) **U.S. Cl.**
USPC **D28/35**
(58) **Field of Classification Search**
USPC D28/10, 13, 15, 18, 24, 25, 26, 28, 35
CPC A45D 24/10; A45D 1/00–1/28; A45D
20/48–20/525; A45D 20/10; A45D 2/00;
A45D 2/001; A45D 2/002; A45D 2/02;
A45D 2/04; A45D 2/06; A45D 2/08;
A45D 2/10; A45D 2/12–2/22; A45D
2/24–2/34; A45D 2/36–2/367; A45D
2/38–2/44
See application file for complete search history.

(57) **CLAIM**
The ornamental design for a hair styling apparatus, as shown
and described.

DESCRIPTION

FIG. 1 is a perspective view of the hair styling apparatus in
accordance with the principles of the present disclosure;
FIG. 2 is a first side elevation view of the hair styling
apparatus;
FIG. 3 is a second side elevation view of the hair styling
apparatus;
FIG. 4 is a front elevation view of the hair styling apparatus;
FIG. 5 is a rear elevation view of the hair styling apparatus;
FIG. 6 is a top plan view of the hair styling apparatus;
FIG. 7 is a bottom plan view of the hair styling apparatus;
FIG. 8 is a perspective view of another embodiment of the
hair styling apparatus;
FIG. 9 is a first side elevation view of the hair styling
apparatus of FIG. 8;
FIG. 10 is a second side elevation view of the hair styling
apparatus of FIG. 8;
FIG. 11 is a front elevation view of the hair styling apparatus
of FIG. 8;
FIG. 12 is a rear elevation view of the hair styling apparatus
of FIG. 8;
FIG. 13 is a top plan view of the hair styling apparatus of
FIG. 8; and,
FIG. 14 is a bottom plan view of the hair styling apparatus
of FIG. 8.
The broken lines illustrate portions of the hair styling
apparatus and form no part of the claimed design.

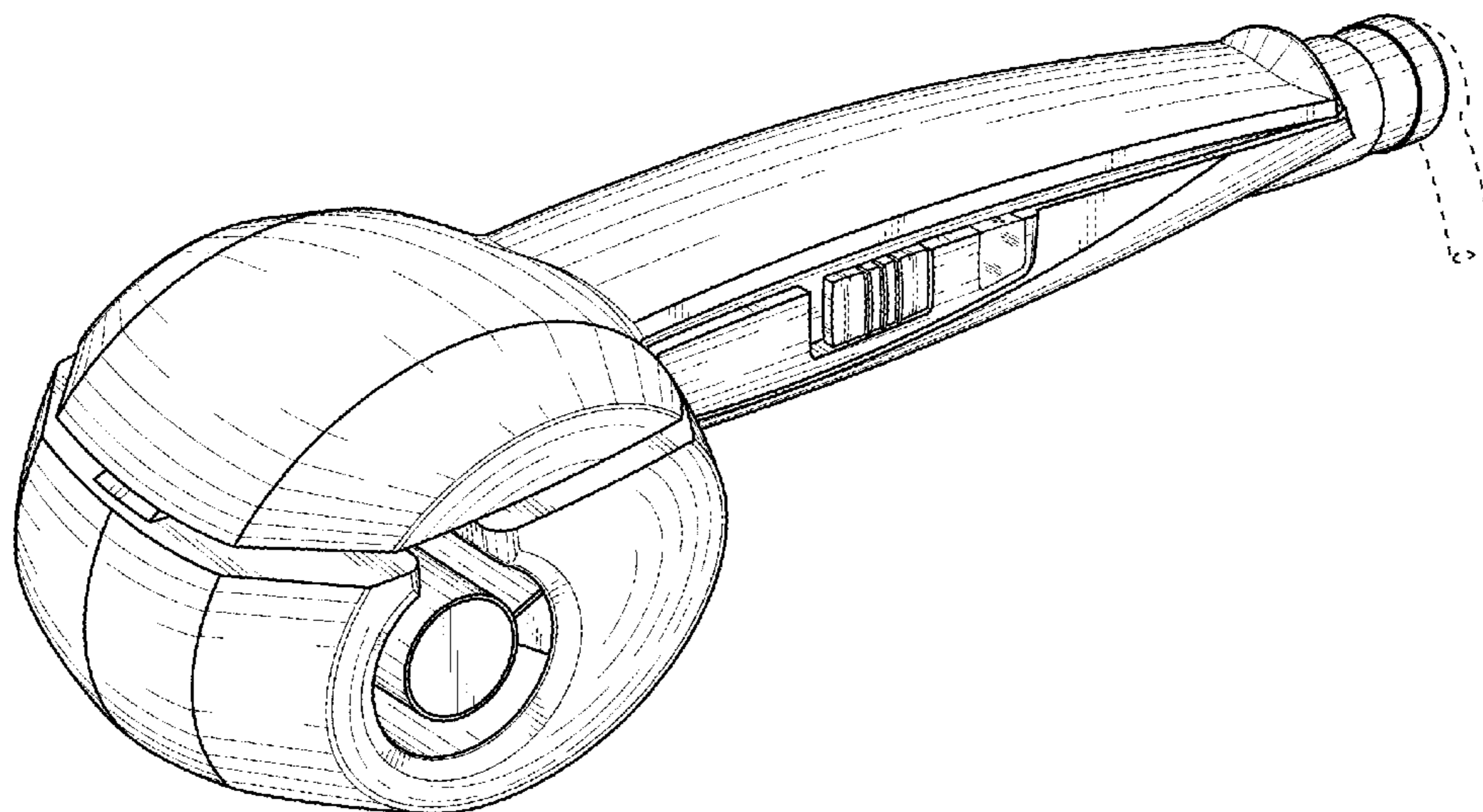
(56) **References Cited**

U.S. PATENT DOCUMENTS

6,615,846 B1 * 9/2003 Leason A45D 2/00
132/212
D491,310 S * 6/2004 Glucksmann D28/35
D502,288 S 2/2005 Longoria
D502,568 S 3/2005 Longoria
D515,738 S 2/2006 Grassi
D537,982 S 3/2007 Kim
8,132,571 B1 3/2012 Jackson
D672,498 S 12/2012 Kim

(Continued)

1 Claim, 10 Drawing Sheets



(56)

References Cited

U.S. PATENT DOCUMENTS

D696,456	S *	12/2013	Julemont	D28/35
8,607,804	B2	12/2013	De Benedictis	
8,651,118	B2	2/2014	De Benedictis et al.	
8,733,374	B2	5/2014	De Benedictis et al.	
8,869,808	B2	10/2014	De Benedictis	
D717,000	S *	11/2014	Julemont	D28/35
9,027,570	B2 *	5/2015	De Benedictis	A45D 2/02 132/238
D754,396	S *	4/2016	Keong	D28/35
D759,306	S *	6/2016	Delassus	D28/35
2003/0131867	A2 *	7/2003	Kennedy	A45D 2/00 132/200
2013/0068245	A1 *	3/2013	De Benedictis	A45D 2/02 132/237
2013/0125919	A1 *	5/2013	De Benedictis	A45D 2/02 132/238
2014/0216494	A1 *	8/2014	De Benedictis	A45D 2/02 132/237
2015/0114425	A1 *	4/2015	Park	A45D 1/04 132/229
2015/0128987	A1 *	5/2015	De Benedictis	A45D 2/02 132/238
2015/0189965	A1 *	7/2015	Chung	A45D 2/367 132/230
2015/0196105	A1 *	7/2015	Leung	A45D 1/04 132/228
2015/0201727	A1 *	7/2015	De Benedictis	A45D 2/02 132/211
2015/0216281	A1 *	8/2015	De Benedictis	A45D 2/02 132/230

* cited by examiner

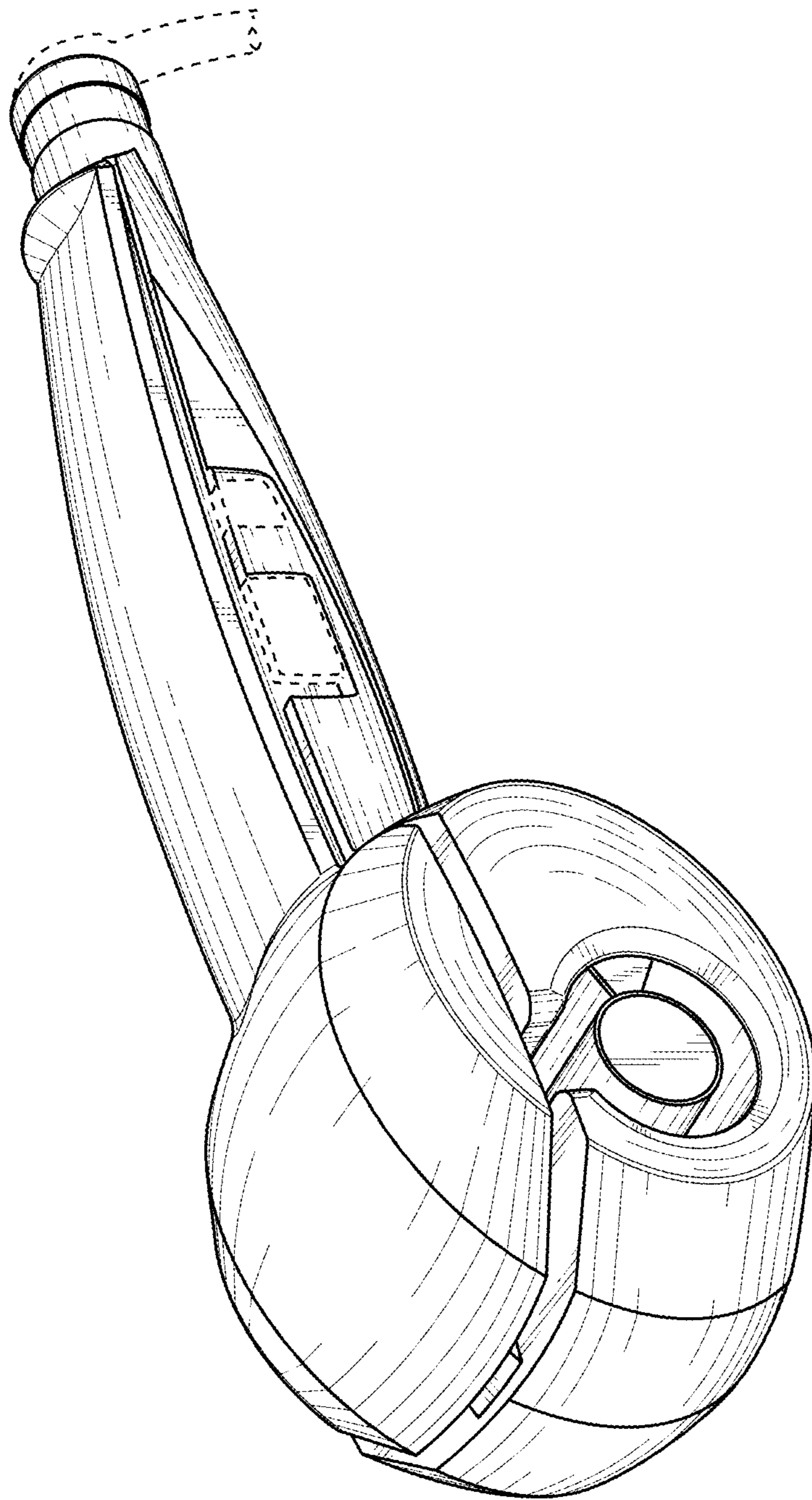


FIG. 1

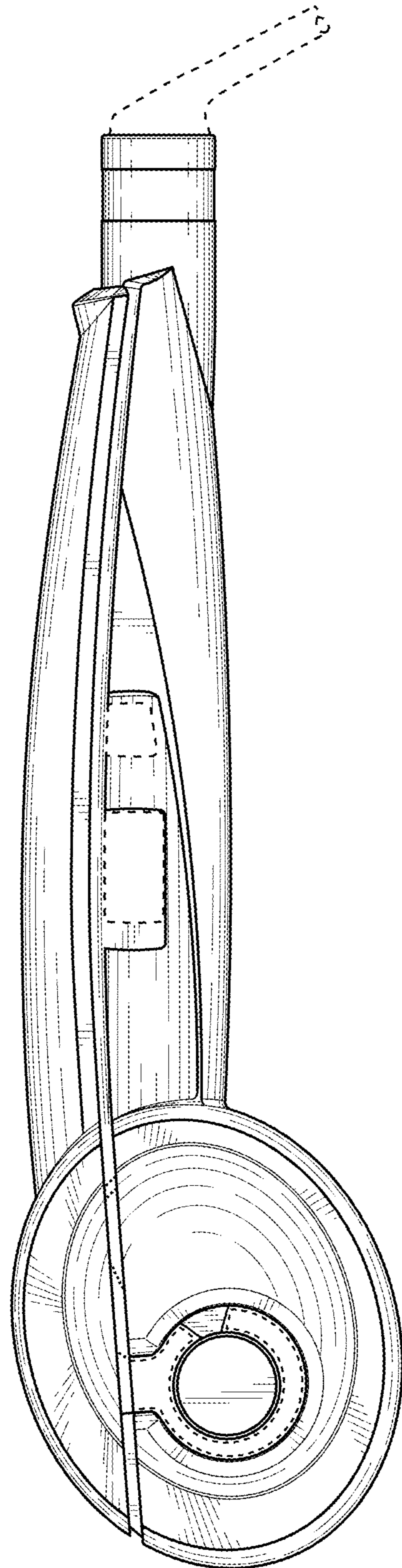


FIG. 2

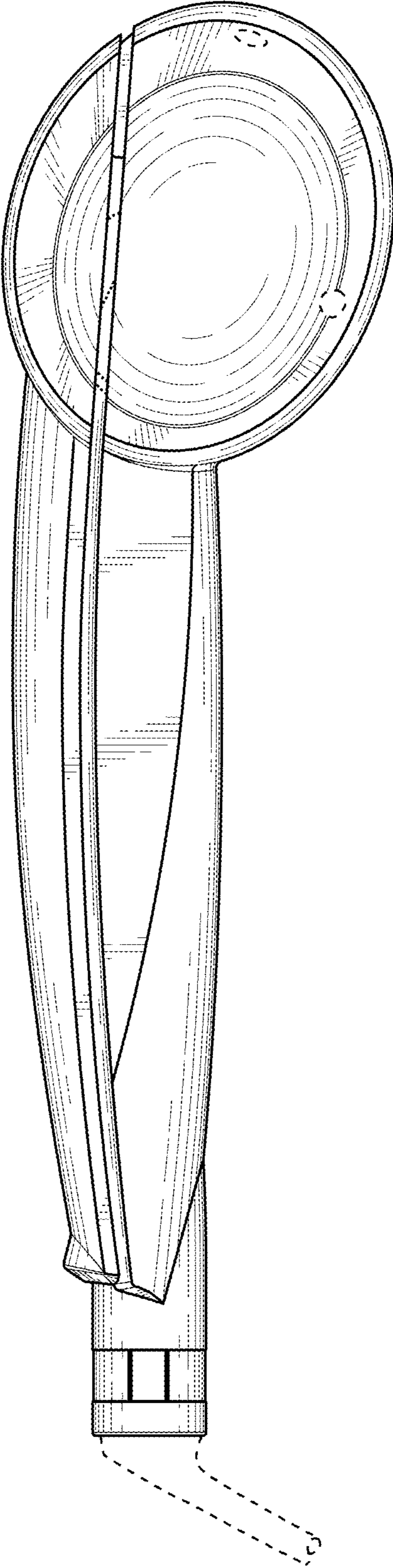


FIG. 3

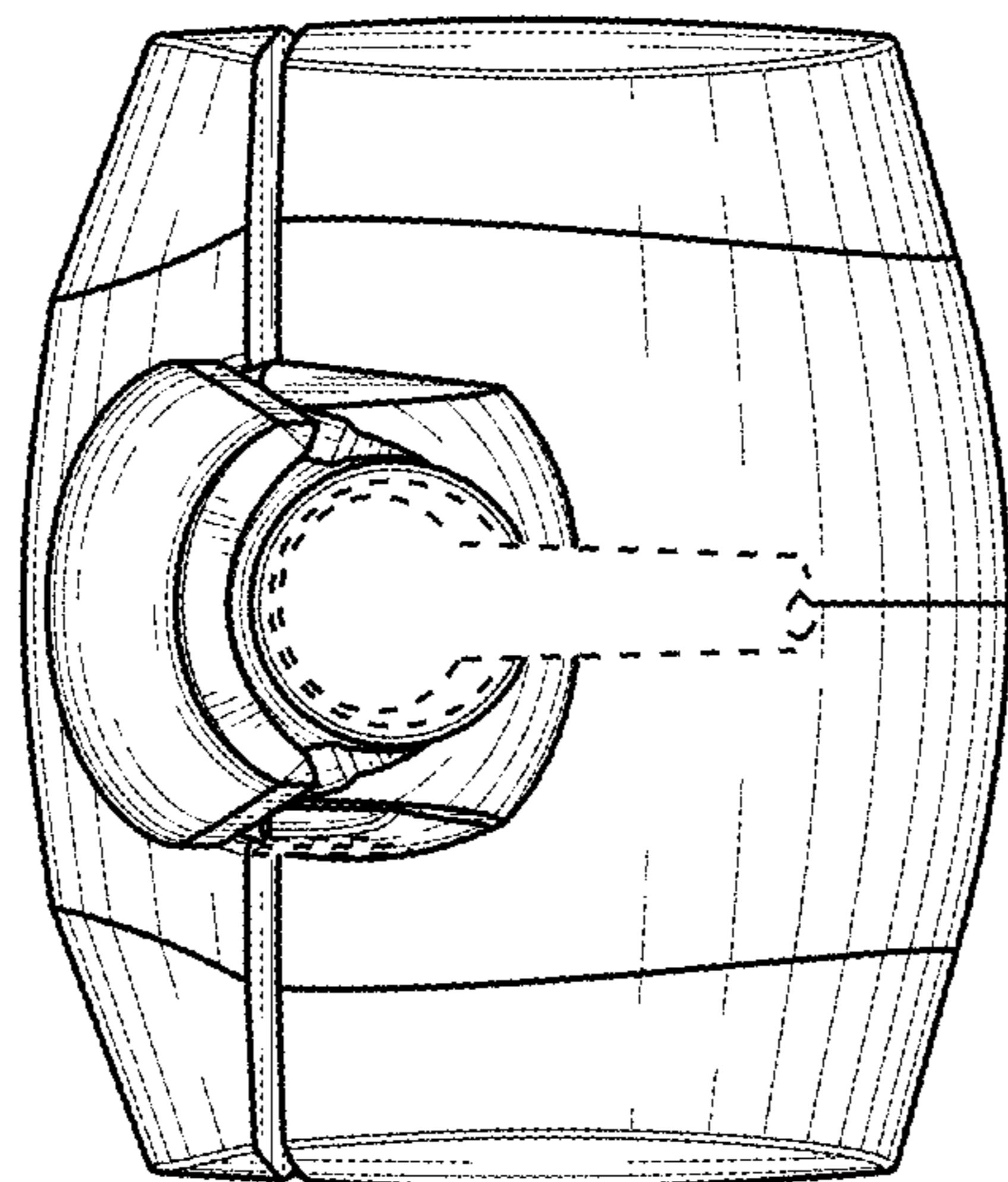


FIG. 5

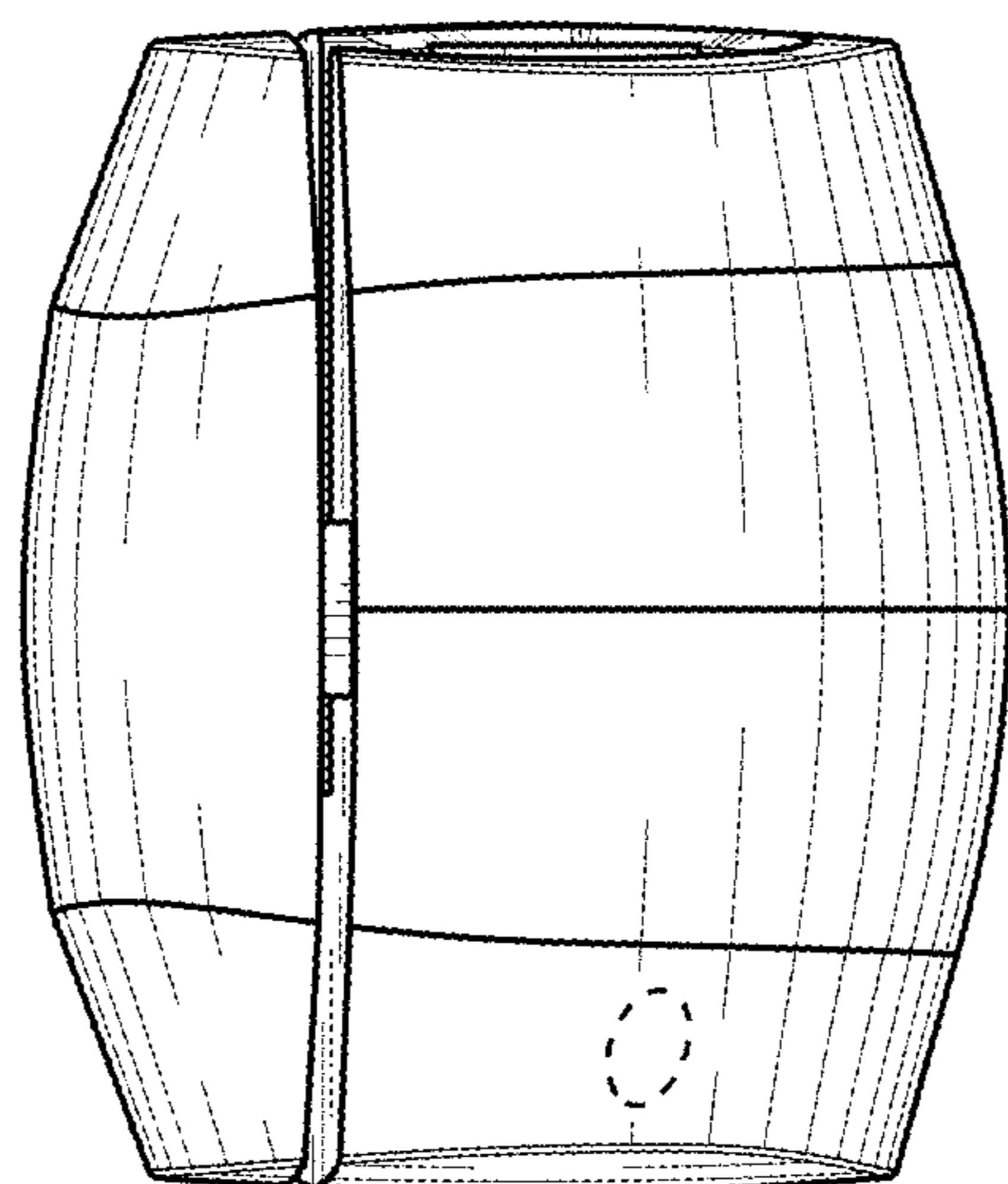


FIG. 4

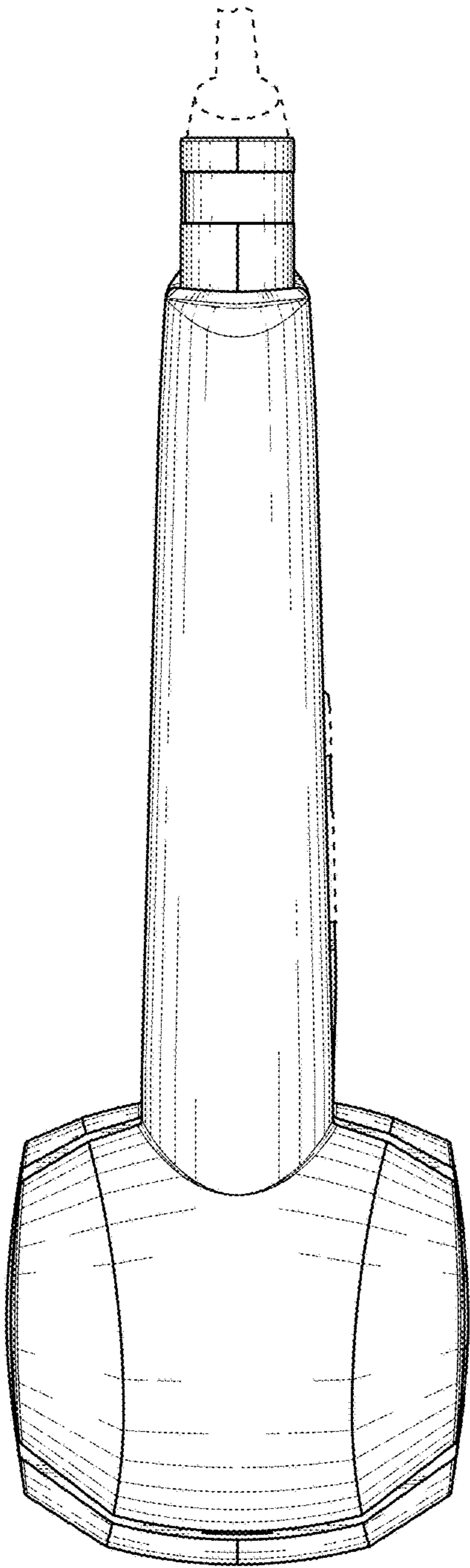


FIG. 6

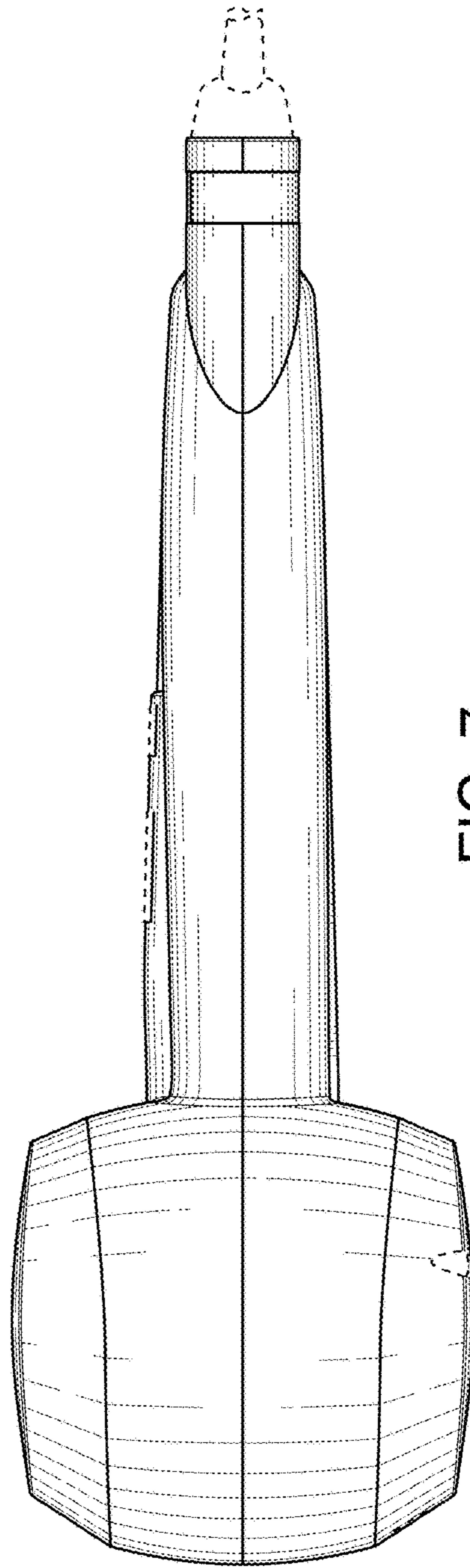


FIG. 7

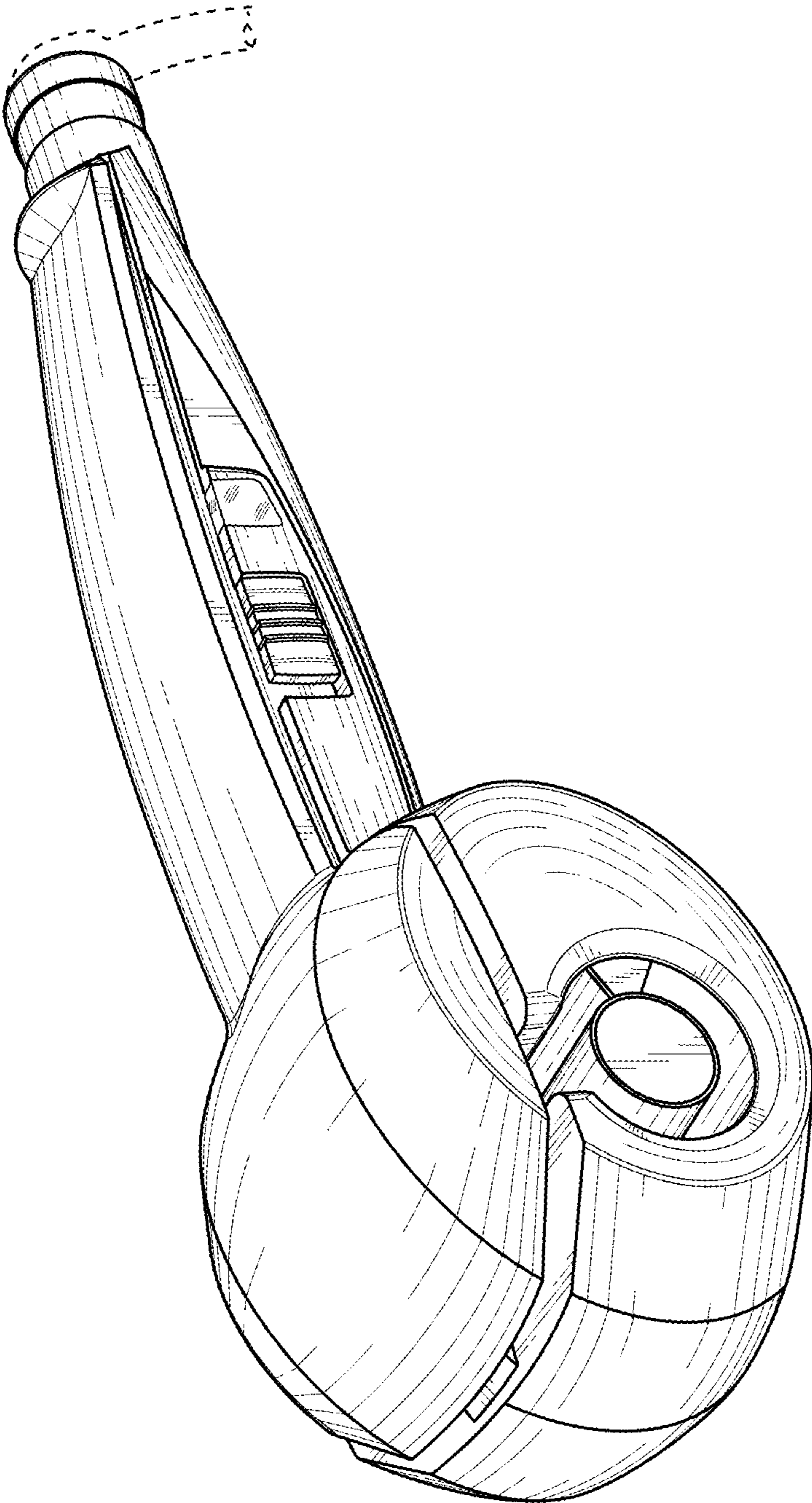


FIG. 8

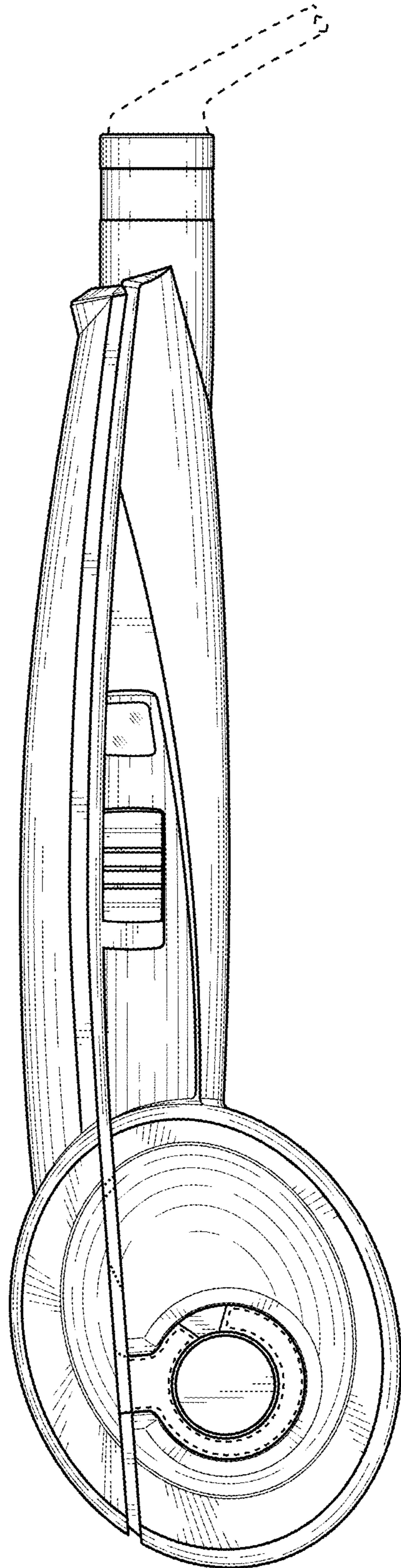


FIG. 9

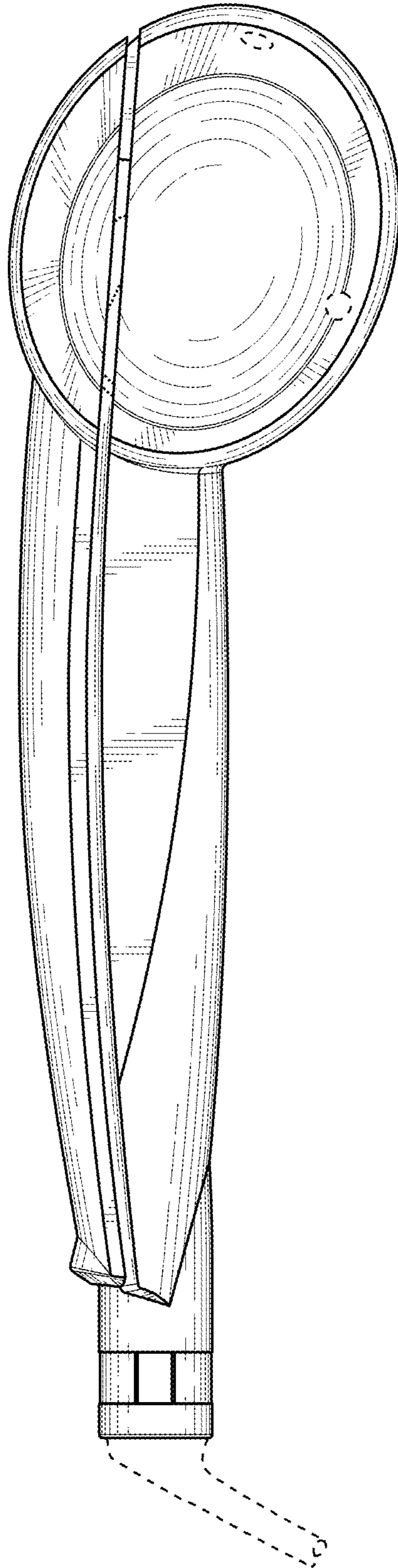


FIG. 10

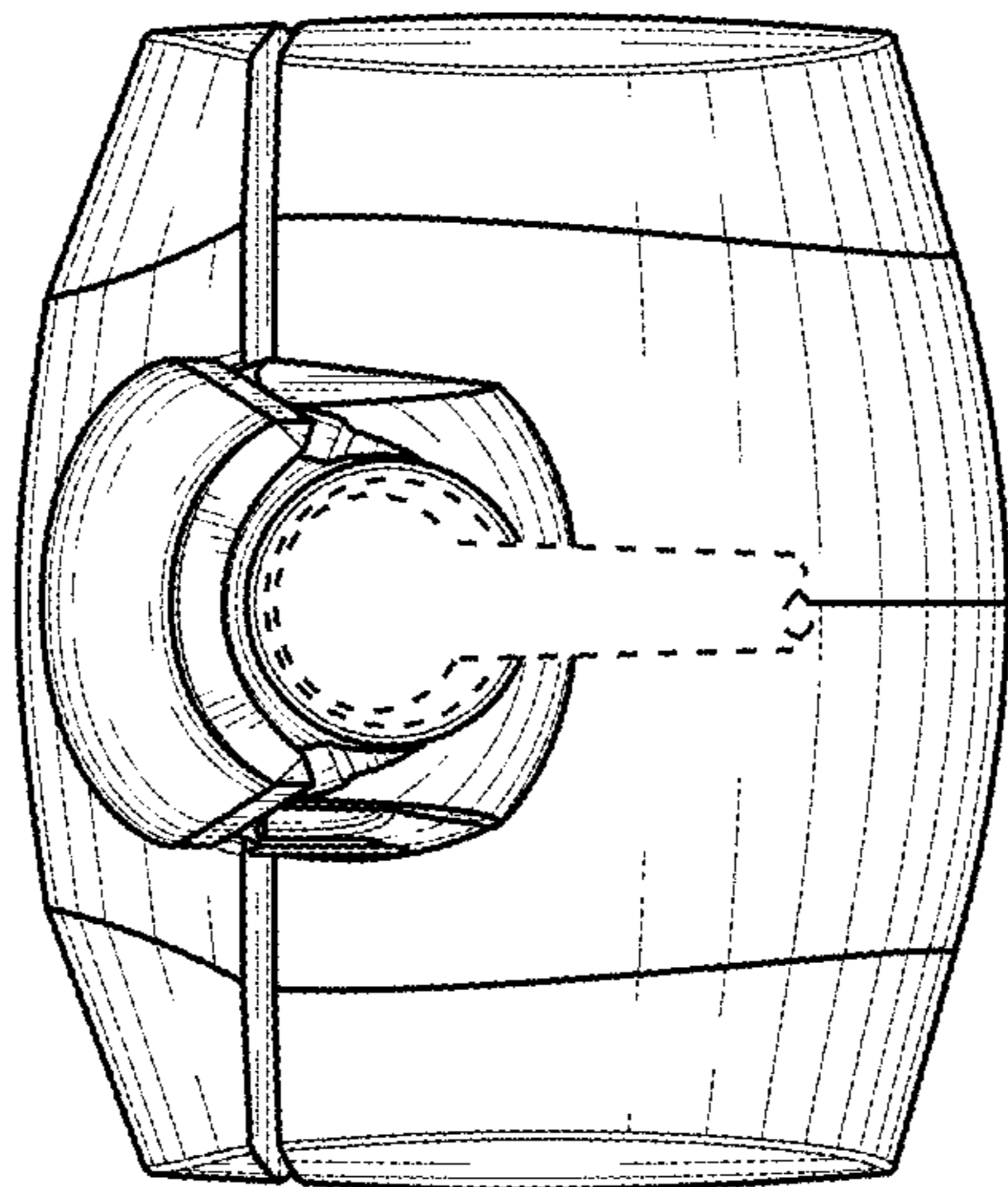


FIG. 12

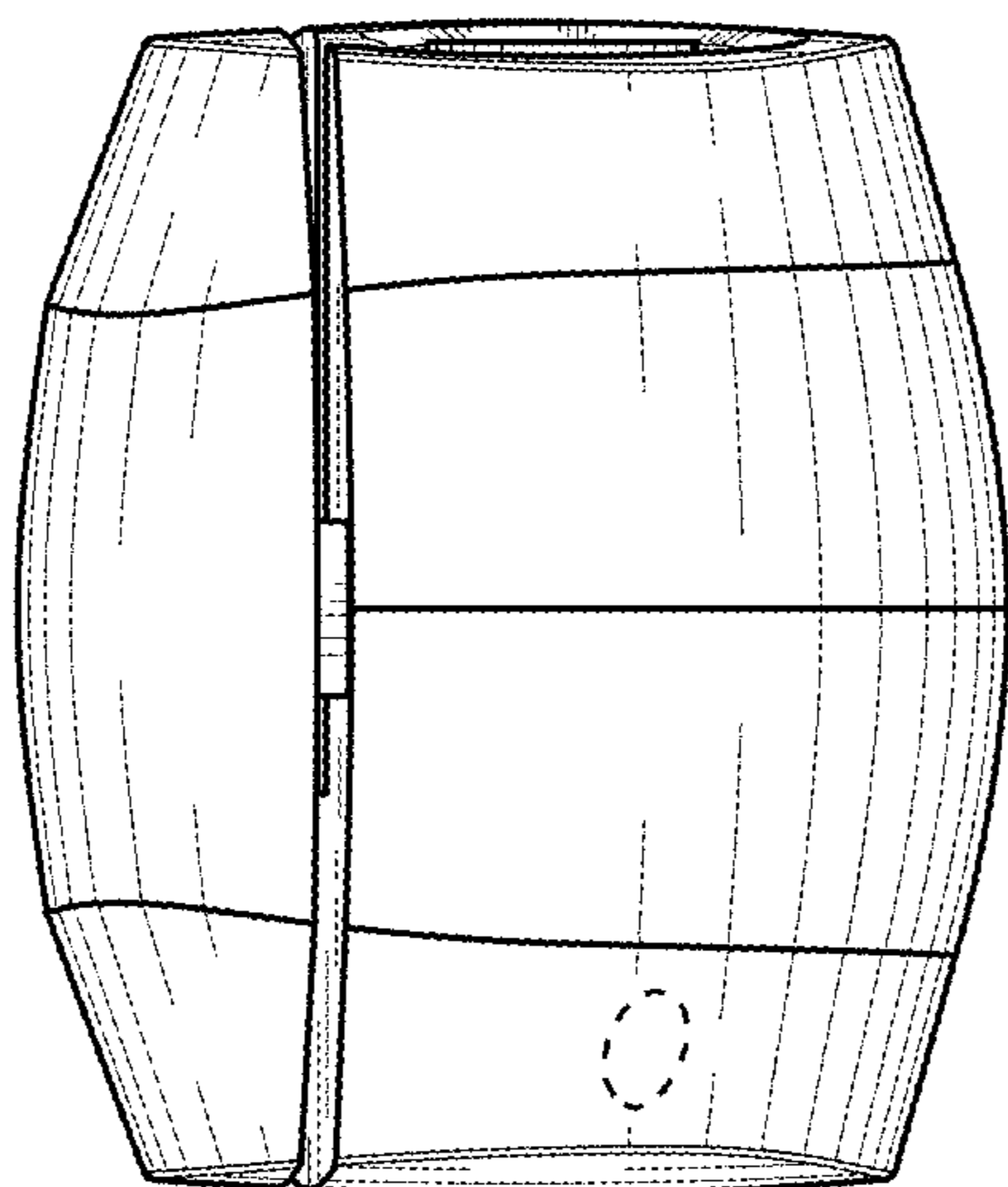


FIG. 11

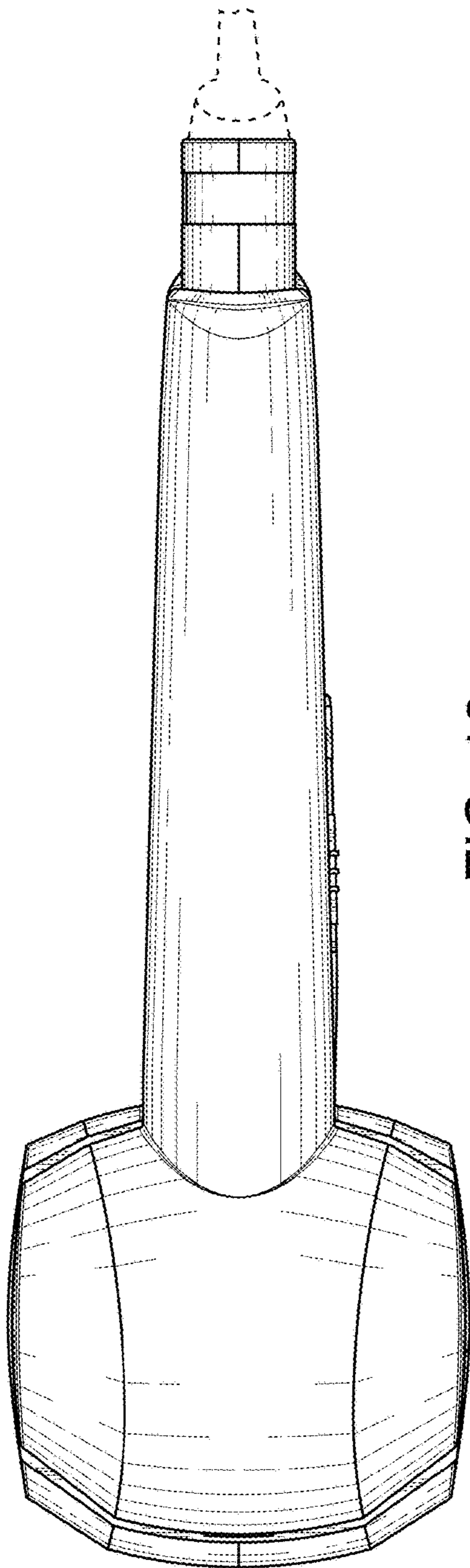


FIG. 13

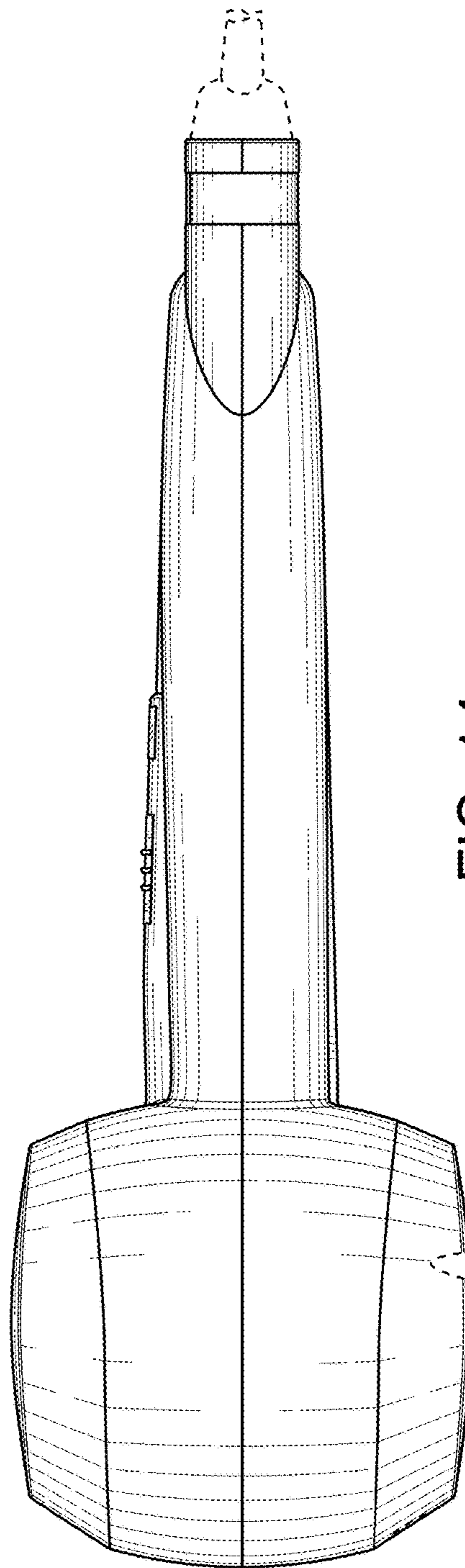


FIG. 14