



US00D785241S

(12) **United States Design Patent** (10) **Patent No.:** **US D785,241 S**
Stephens et al. (45) **Date of Patent:** **** Apr. 25, 2017**

(54) **ACCESSORY FOR A HAIRDRYER**

(71) Applicant: **Dyson Technology Limited**, Wiltshire (GB)

(72) Inventors: **Philip Jonathan Stephens**, Swindon (GB); **Boris Zukina**, Bristol (GB); **Christopher John Tyler**, Leicester (GB); **Andrea Ee-Va Lim**, Bristol (GB); **Adam James Bates**, Oxford (GB); **Alexander Stuart Knox**, Bath (GB)

(73) Assignee: **Dyson Technology Limited**, Malmesbury, Wiltshire (GB)

(**) Term: **15 Years**

(21) Appl. No.: **29/551,454**

(22) Filed: **Jan. 13, 2016**

(30) **Foreign Application Priority Data**

Jul. 13, 2015 (EM) 001437065-0001

(51) **LOC (10) Cl.** **28-03**

(52) **U.S. Cl.**
USPC **D28/18**

(58) **Field of Classification Search**
USPC ... D28/9, 10, 12, 13, 14, 15, 17, 18, 19, 20, D28/25, 28; D30/158, 159; 34/98
CPC A45D 20/00; A45D 20/04; A45D 20/08; A45D 20/10; A45D 20/12; A45D 20/122; A45D 20/14; A45D 20/124; A45D 20/26; A45D 20/16; A45D 2020/126; A45D 2020/128

See application file for complete search history.

(56) **References Cited**

U.S. PATENT DOCUMENTS

D422,114 S * 3/2000 Gudfin D28/13
D544,998 S * 6/2007 Petruccelli D28/13

D600,405 S * 9/2009 Soresina D28/13
D603,094 S * 10/2009 Piard D28/13
D616,164 S * 5/2010 McLeod D32/32
D655,038 S * 2/2012 Petruccelli D28/13
2005/0198854 A1 * 9/2005 Hobe A45D 20/12
34/96
2010/0154150 A1 * 6/2010 McLeod A47L 9/02
15/21.1
2012/0198644 A1 * 8/2012 Iles A47L 9/04
15/179

FOREIGN PATENT DOCUMENTS

CA 2453796 A1 * 7/2004 A45D 20/122
CN 302763040 * 3/2014
CN 302805218 * 4/2014
CN 303361261 * 9/2015

(Continued)

Primary Examiner — Catherine Tuttle

Assistant Examiner — Mary Malley

(74) *Attorney, Agent, or Firm* — Morrison & Foerster LLP

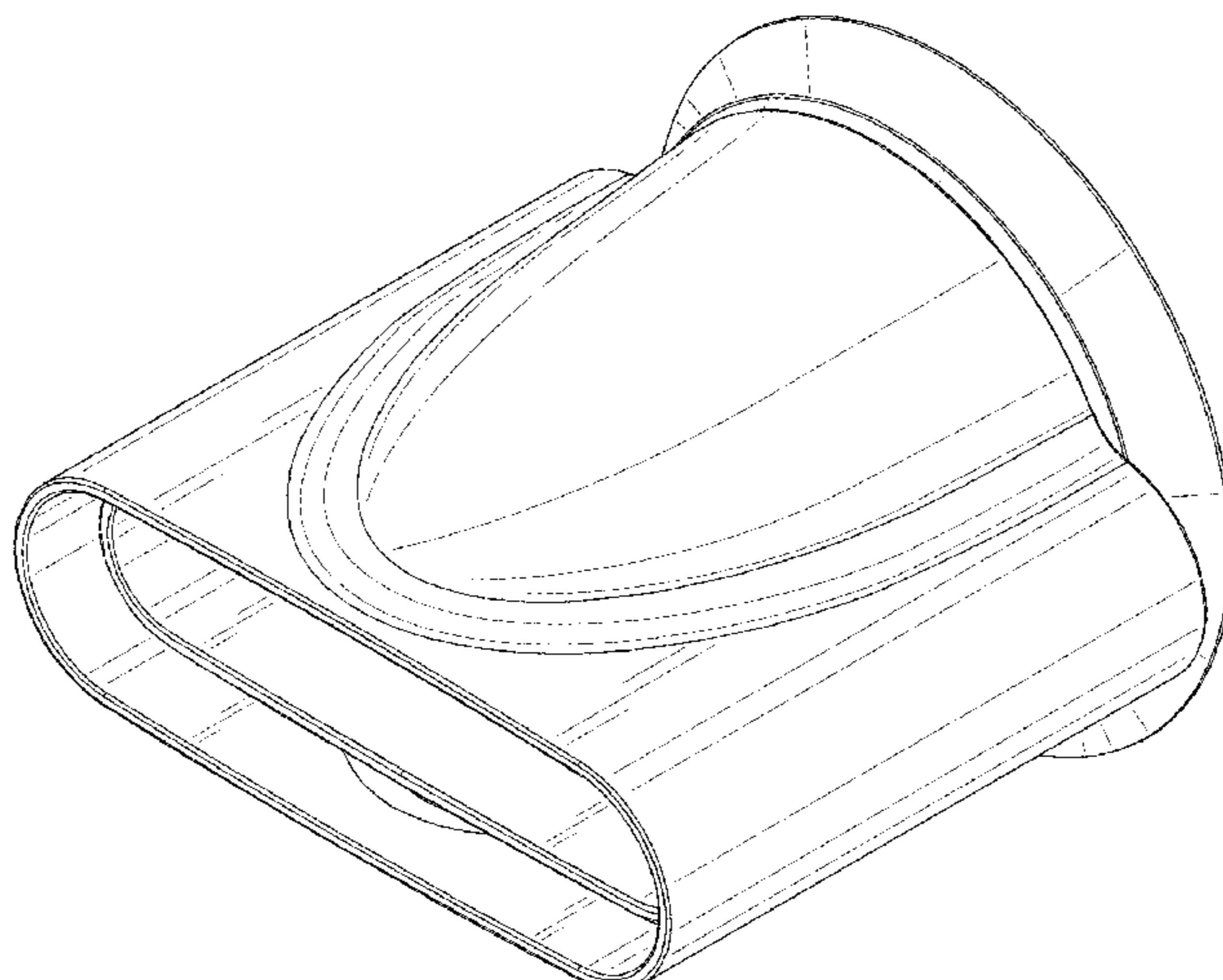
(57) **CLAIM**

We claim the ornamental design for an accessory for a hairdryer, as shown and described.

DESCRIPTION

FIG. 1 is a perspective view of an accessory for a hairdryer showing our new design;
FIG. 2 is a front view thereof;
FIG. 3 is rear view thereof;
FIG. 4 is a side view thereof;
FIG. 5 is a side view of the opposite side of FIG. 4;
FIG. 6 is a top view thereof; and,
FIG. 7 is a bottom view thereof.
The broken lines are included for the purpose of illustrating portions of an accessory for a hairdryer that form no part of the claimed design.

1 Claim, 7 Drawing Sheets



(56)

References Cited

FOREIGN PATENT DOCUMENTS

| | | | | |
|----|------------------|---|--------|-------------------|
| CN | 303545036 | * | 1/2016 | |
| DE | 4218857 C1 | * | 4/1993 | A45D 20/122 |
| WO | WO 2007105069 A2 | * | 9/2007 | A45D 20/122 |

* cited by examiner

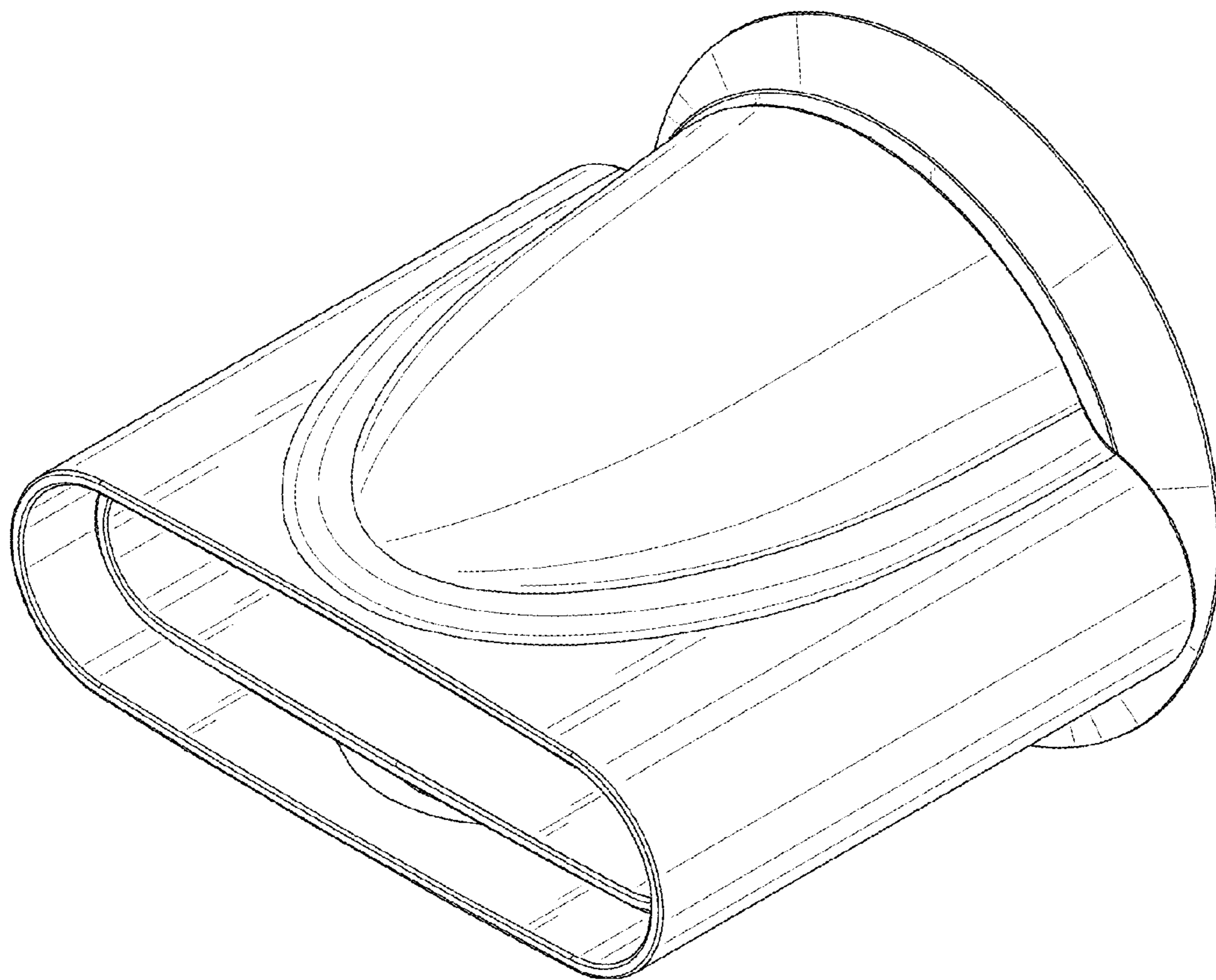


FIG. 1

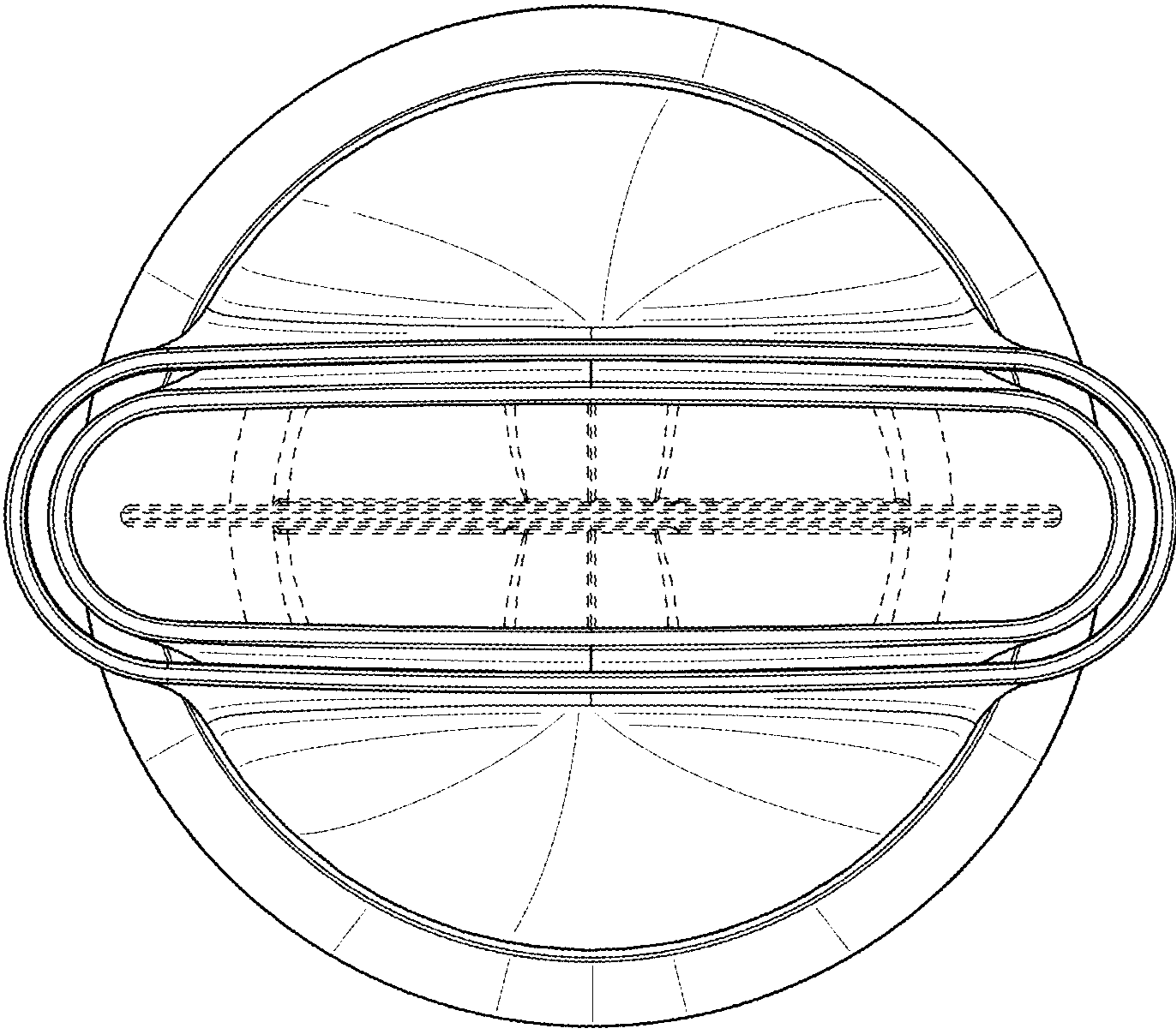


FIG. 2

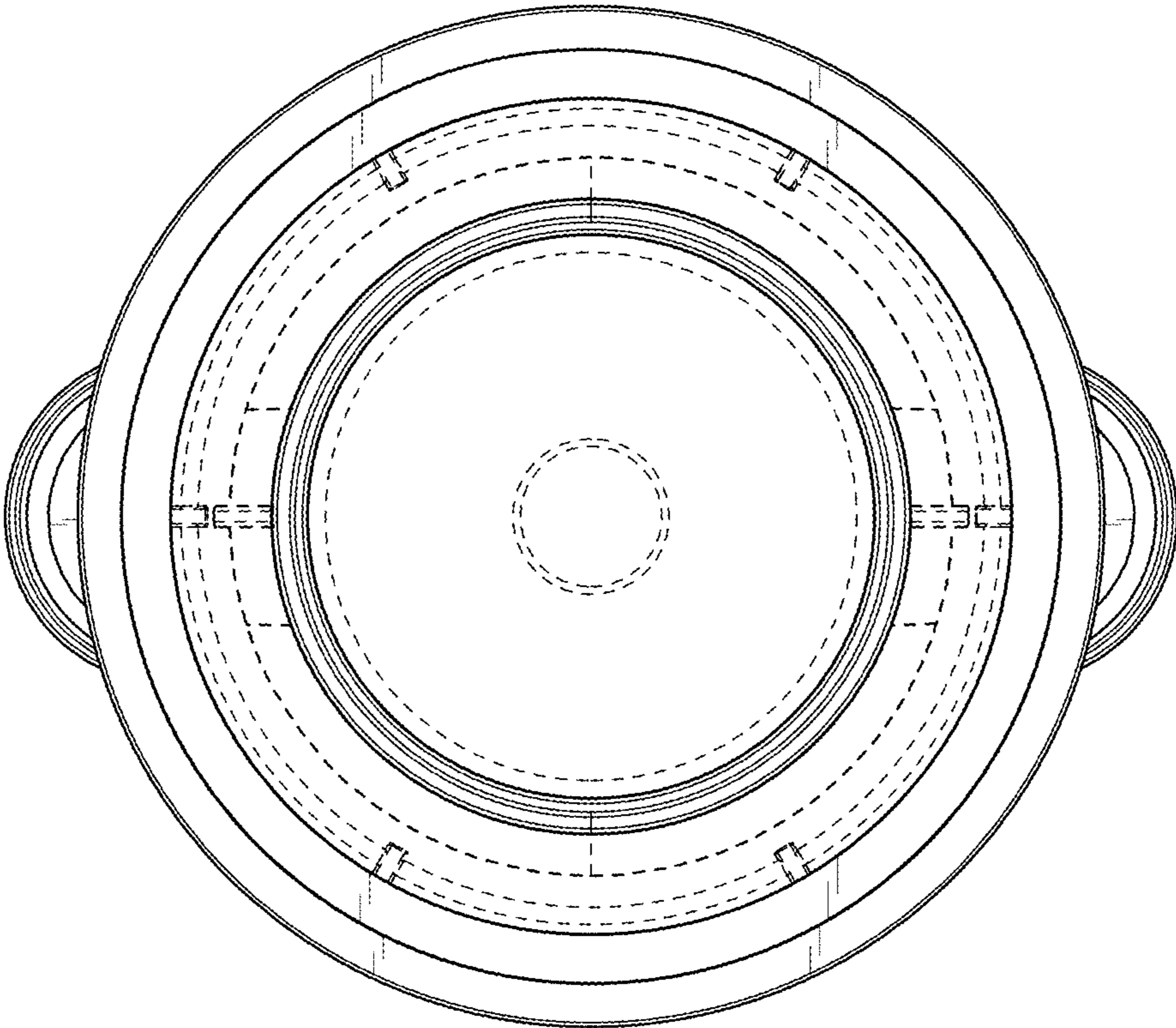


FIG. 3

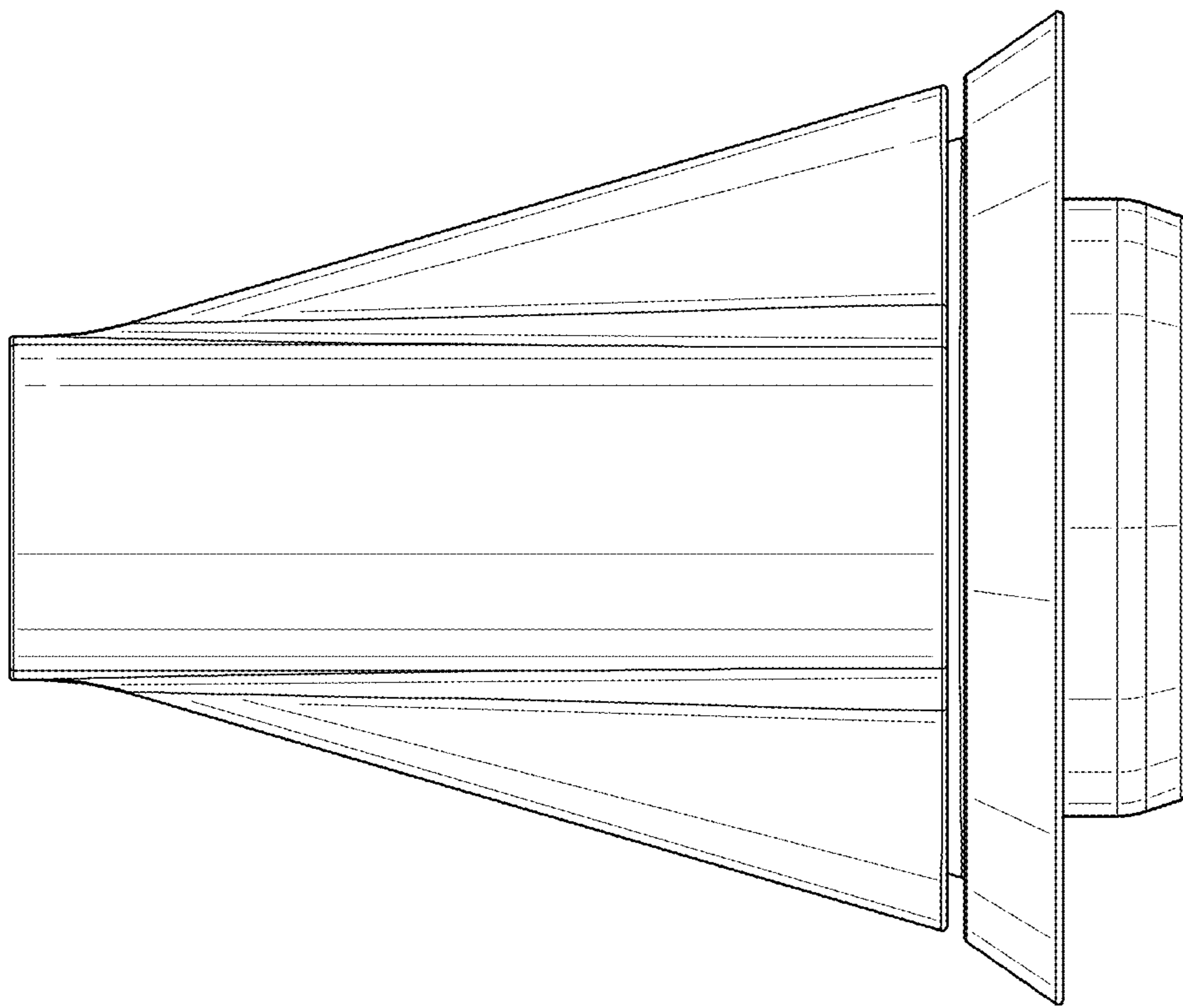


FIG. 4

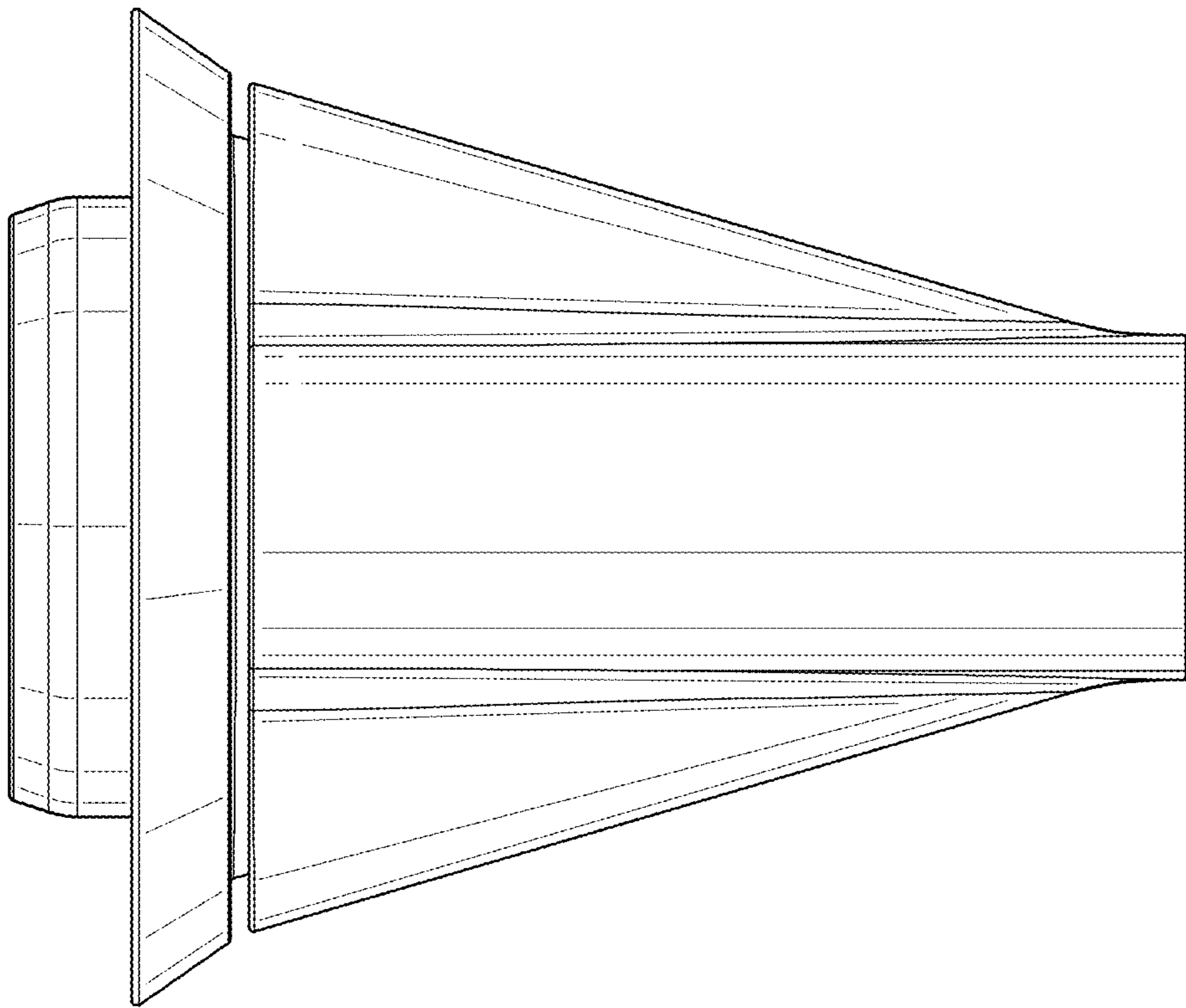


FIG. 5

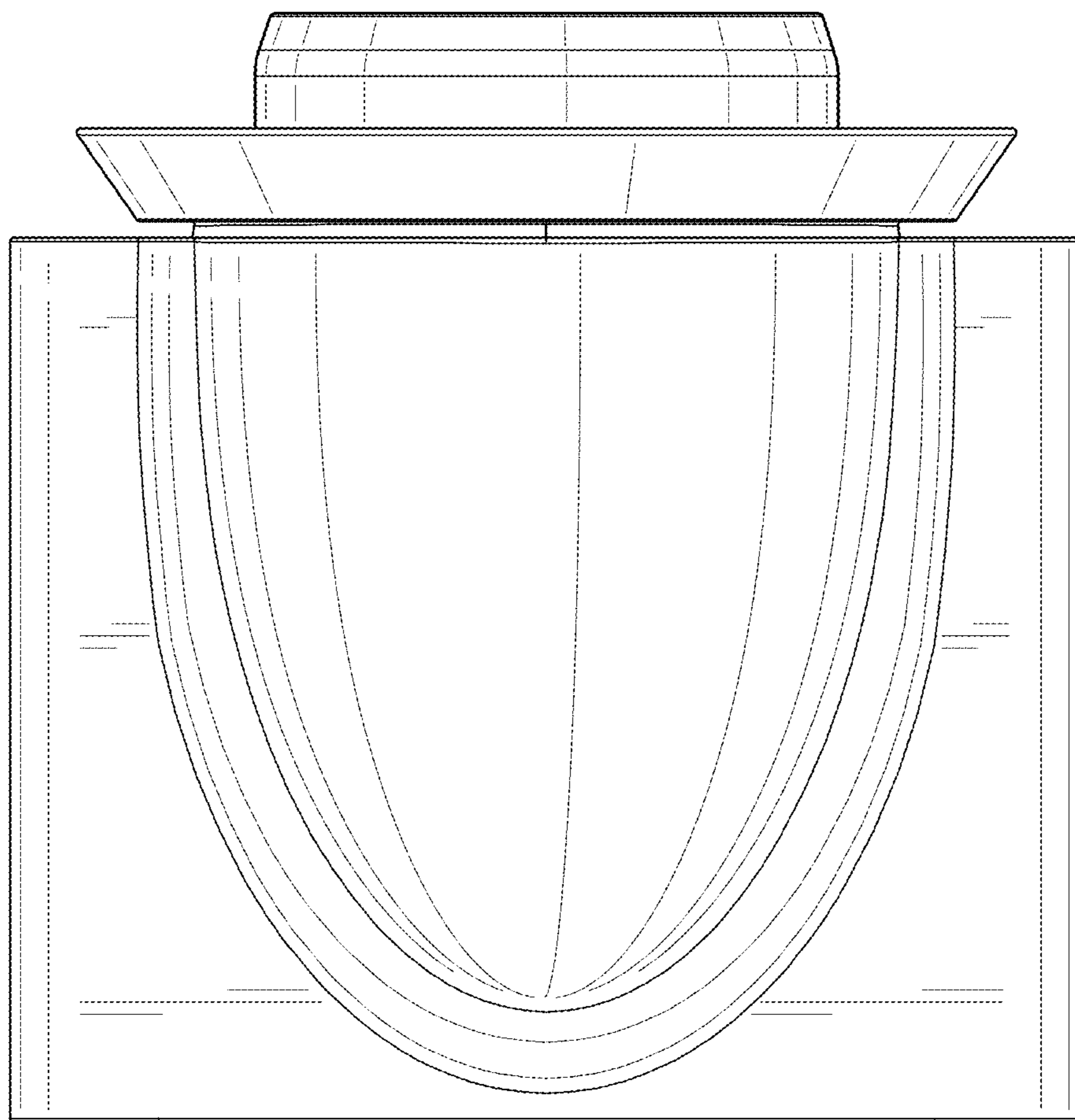


FIG. 6

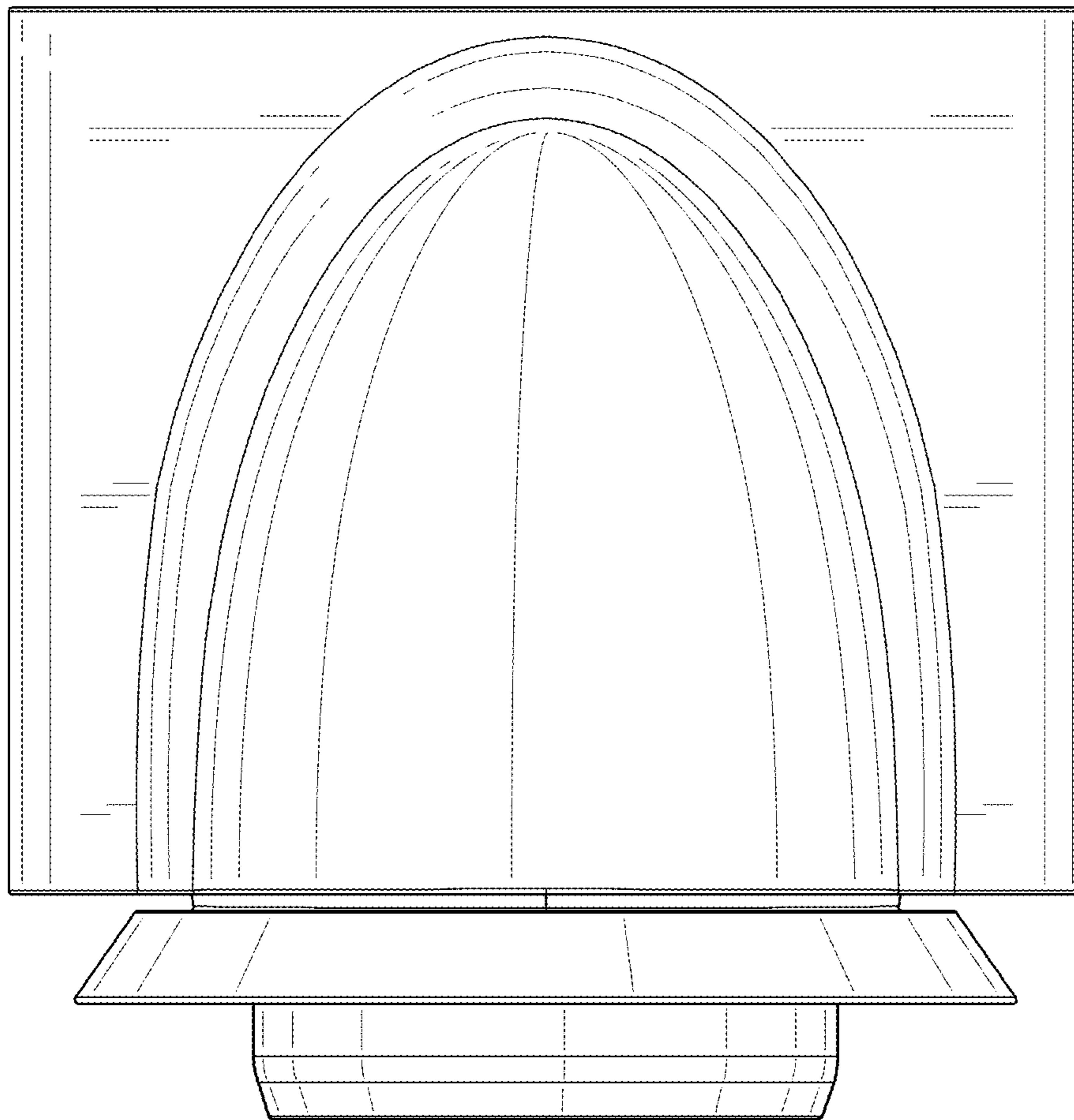


FIG. 7