



US00D785238S

(12) **United States Design Patent** (10) **Patent No.:** **US D785,238 S**  
**Silva** (45) **Date of Patent:** **\*\* Apr. 25, 2017**

(54) **COSMETICS SPATULA**  
(71) Applicant: **Rea.deeming Beauty, Inc.**, Bethlehem, PA (US)  
(72) Inventor: **Rea Ann Silva**, Encino, CA (US)  
(73) Assignee: **Rea.deeming Beauty, Inc.**, Bethlehem, PA (US)  
(\*\*) Term: **15 Years**  
(21) Appl. No.: **29/543,277**  
(22) Filed: **Oct. 22, 2015**

3,815,265 A 6/1974 DePauw  
D246,000 S \* 10/1977 Yacos ..... D28/57  
4,421,127 A 12/1983 Geer  
D279,706 S \* 7/1985 Steinberg ..... D24/149  
D285,367 S \* 8/1986 Lindner ..... D28/57  
D290,173 S 6/1987 Taylor et al.  
4,807,773 A 2/1989 Tsai  
4,815,608 A 3/1989 Silberberg  
4,884,680 A 12/1989 Israel et al.  
4,901,846 A 2/1990 Lehman  
D308,735 S \* 6/1990 Cane ..... D28/57  
4,930,529 A 6/1990 Whitney  
5,277,302 A 1/1994 Seisa  
5,769,234 A 6/1998 Gueret  
6,123,198 A 9/2000 Pflueger et al.  
6,145,515 A 11/2000 Wu  
6,189,698 B1 2/2001 Asser  
6,192,892 B1 2/2001 Resler

(Continued)

**Related U.S. Application Data**

(62) Division of application No. 14/176,849, filed on Feb. 10, 2014.  
(51) **LOC (10) Cl.** ..... **28-02**  
(52) **U.S. Cl.**  
USPC ..... **D28/7**  
(58) **Field of Classification Search**  
USPC ..... D28/7, 8, 20, 21, 22, 30, 57, 62, 63, 76, D28/99; D19/108, 109; D24/149, 152, D24/154; D7/688; 132/317, 320; D8/1, D8/4, 17  
CPC .... A45D 2200/10; A45D 29/16-29/18; B44D 3/10  
See application file for complete search history.

**FOREIGN PATENT DOCUMENTS**

GB 2335164 A 9/1999  
*Primary Examiner* — Sheryl Lane  
*Assistant Examiner* — Calvin E Vansant  
(74) *Attorney, Agent, or Firm* — Clinton H. Wilkinson; Charles A. Wilkinson

(57) **CLAIM**

The ornamental design for a “cosmetics spatula,” as shown and described.

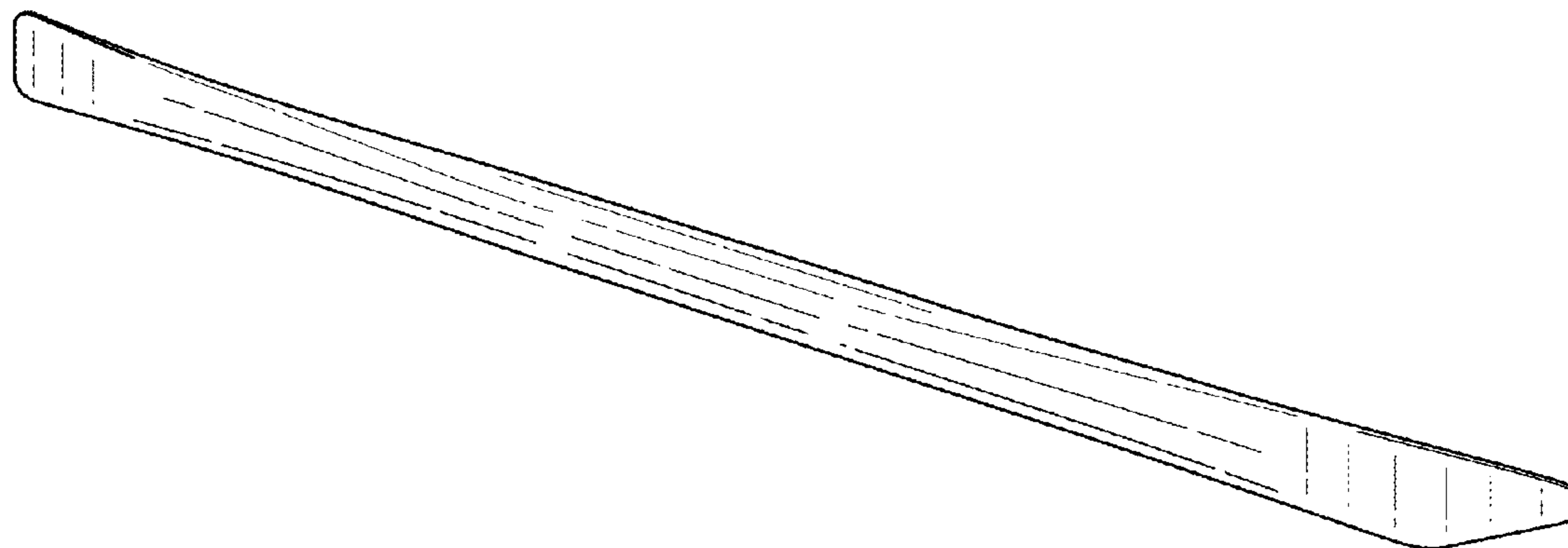
**DESCRIPTION**

FIG. 1 is a top, front perspective view of a spatula showing my new design;  
FIG. 2 is a top view thereof;  
FIG. 3 is an end view thereof;  
FIG. 4 is front view thereof, the back view being a mirror image thereof;  
FIG. 5 is an end view thereof; and,  
FIG. 6 is a bottom view thereof.

**1 Claim, 1 Drawing Sheet**

(56) **References Cited**  
U.S. PATENT DOCUMENTS

D44,646 S \* 9/1913 Thomson ..... 30/167  
1,391,028 A 9/1921 Werntz  
2,107,239 A 2/1938 Eckhoff  
D150,279 S 7/1948 Wies  
3,441,033 A 4/1969 Flax  
3,482,728 A 12/1969 Flax  
3,786,913 A 1/1974 Crawford



(56)

**References Cited**

## U.S. PATENT DOCUMENTS

6,318,377 B1 \* 11/2001 Folks ..... A45D 29/001  
132/73  
6,338,349 B1 1/2002 Robinson et al.  
6,540,083 B2 4/2003 Shih  
D481,613 S \* 11/2003 Macor ..... D8/107  
6,739,345 B2 5/2004 Stanley, III  
D494,833 S \* 8/2004 Macor ..... D8/107  
D496,756 S \* 9/2004 McGhee ..... D28/57  
7,047,983 B2 5/2006 Manougian et al.  
7,165,559 B1 1/2007 Goodman  
7,219,801 B2 5/2007 Christian  
D571,962 S \* 6/2008 Wittke-Kothe ..... D24/149  
D573,309 S \* 7/2008 Wittke-Kothe ..... D24/149  
7,563,098 B2 7/2009 Whitman  
D612,993 S \* 3/2010 Schaeffer ..... D24/149  
7,740,370 B2 6/2010 Campbell et al.  
7,819,125 B2 10/2010 Maelstaf  
D632,011 S 2/2011 Limongi  
2006/0108251 A1 5/2006 Sherrer et al.  
2006/0188850 A1 8/2006 Mills  
2009/0166246 A1 7/2009 Haloulos et al.  
2010/0089793 A1 4/2010 Plassmeyer  
2010/0132734 A1 6/2010 Mills  
2011/0073130 A1 3/2011 Reynolds  
2011/0155160 A1 6/2011 Haloulos et al.  
2011/0155629 A1 6/2011 Debauge et al.  
2011/0265809 A1 11/2011 Jeon  
2013/0133686 A1 5/2013 Shteysel  
2013/0319443 A1 12/2013 See

\* cited by examiner

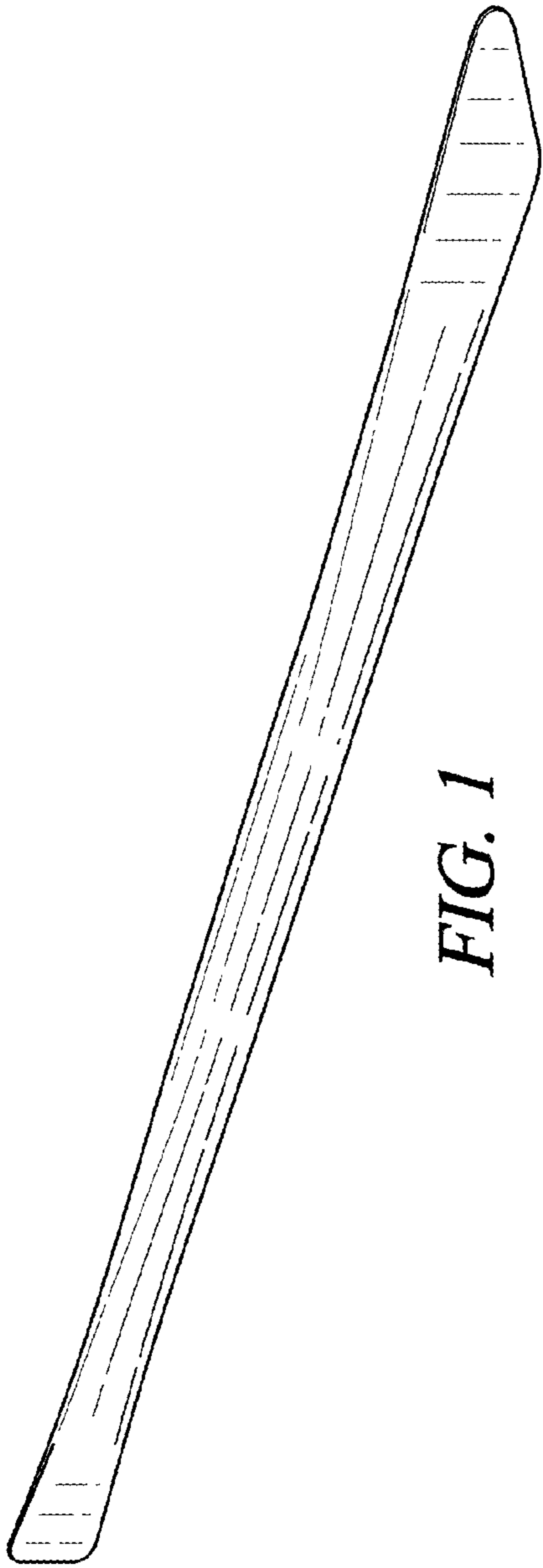


FIG. 1



FIG. 2

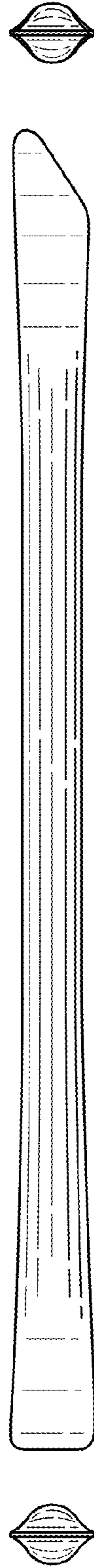


FIG. 3

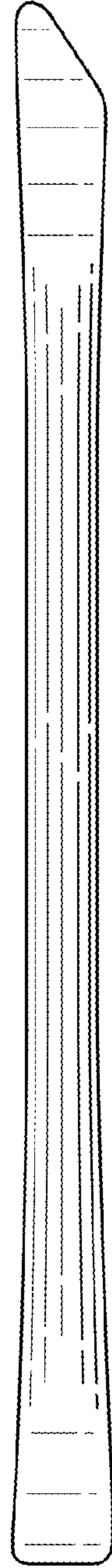


FIG. 4



FIG. 5

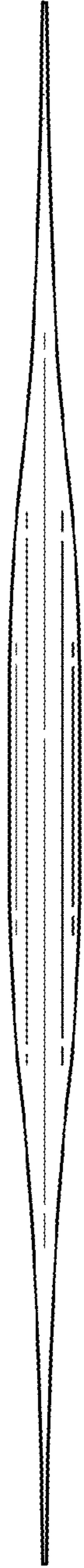


FIG. 6