



US00D785236S

(12) **United States Design Patent**
Elhalwani

(10) **Patent No.:** **US D785,236 S**

(45) **Date of Patent:** **** Apr. 25, 2017**

(54) **HEXAGONAL HOOKAH BOWL**
(71) Applicant: **Wael Salim Elhalwani**, Dubai (AE)
(72) Inventor: **Wael Salim Elhalwani**, Dubai (AE)
(**) Term: **15 Years**

D729,975 S * 5/2015 Mehio D27/162
D742,587 S * 11/2015 Masri D27/162
D745,738 S * 12/2015 Abdelmaseh D27/162
D745,994 S * 12/2015 Hanna D27/162
D746,512 S * 12/2015 Sahni D27/162
D754,915 S * 4/2016 Helou D27/162
D755,439 S * 5/2016 Helou D27/162
9,445,630 B1 * 9/2016 Modi A24F 9/04
2007/0056599 A1 * 3/2007 Zoumut A24F 1/30
131/329
2011/0088706 A1 4/2011 Badawi

(21) Appl. No.: **29/537,837**

(22) Filed: **Aug. 28, 2015**

(51) **LOC (10) Cl.** **27-02**

(52) **U.S. Cl.**
USPC **D27/167**

(58) **Field of Classification Search**
USPC D27/100-112, 120, 125-130, 136, 137,
D27/138, 143, 161, 162-169, 172, 175,
D27/180, 183, 193, 194, 195
CPC A24C 5/44; A24C 5/42; A24C 5/00; A24F
1/30

See application file for complete search history.

* cited by examiner

Primary Examiner — Robert M Spear
Assistant Examiner — Marissa J Cash
(74) *Attorney, Agent, or Firm* — The Patel Law Firm
P.C.; Natu J. Patel

(57) **CLAIM**

The ornamental design for a hexagonal hookah bowl, as shown and described.

DESCRIPTION

(56) **References Cited**

U.S. PATENT DOCUMENTS

D291,620 S * 9/1987 Porchia D1/105
D527,223 S * 8/2006 Thun D7/523
D618,389 S 6/2010 Masri
D632,426 S 2/2011 Badawi
8,347,892 B2 1/2013 Mehio
8,459,269 B2 6/2013 Zoumut
8,464,725 B2 6/2013 Badawi
8,783,265 B2 * 7/2014 Shakouri
Moghadam A24F 1/30
131/196

FIG. 1 is a perspective view of a hexagonal hookah bowl according to an embodiment of the new design;
FIG. 2 is a front elevation view thereof;
FIG. 3 is a rear elevation view thereof;
FIG. 4 is a left side elevation view thereof;
FIG. 5 is a right side elevation view thereof;
FIG. 6 is a top plan view thereof; and,
FIG. 7 is a bottom plan view thereof.
The broken lines in FIG. 7 depict unclaimed subject matter and form no part of the claim.

1 Claim, 7 Drawing Sheets

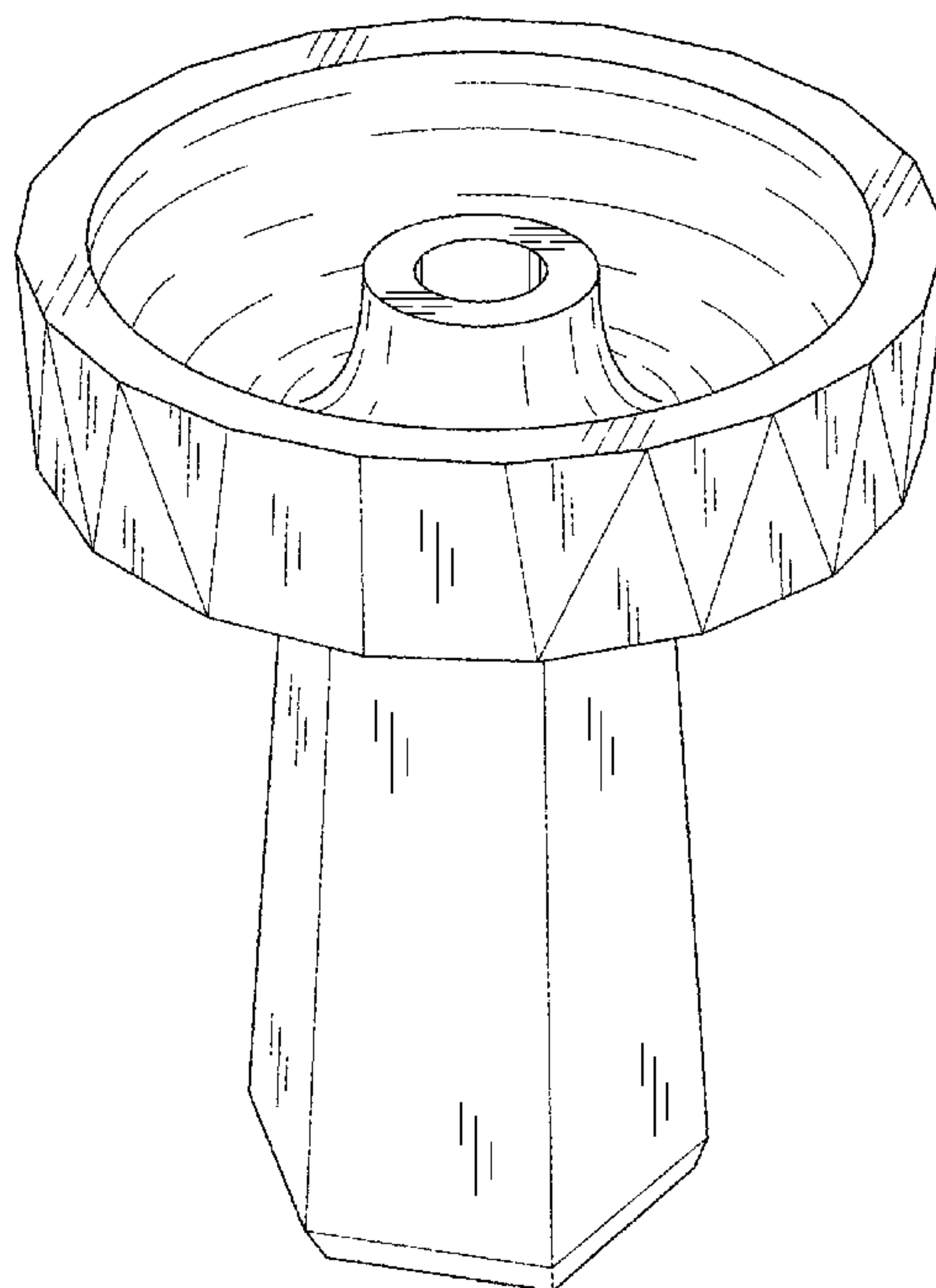


Fig. 1

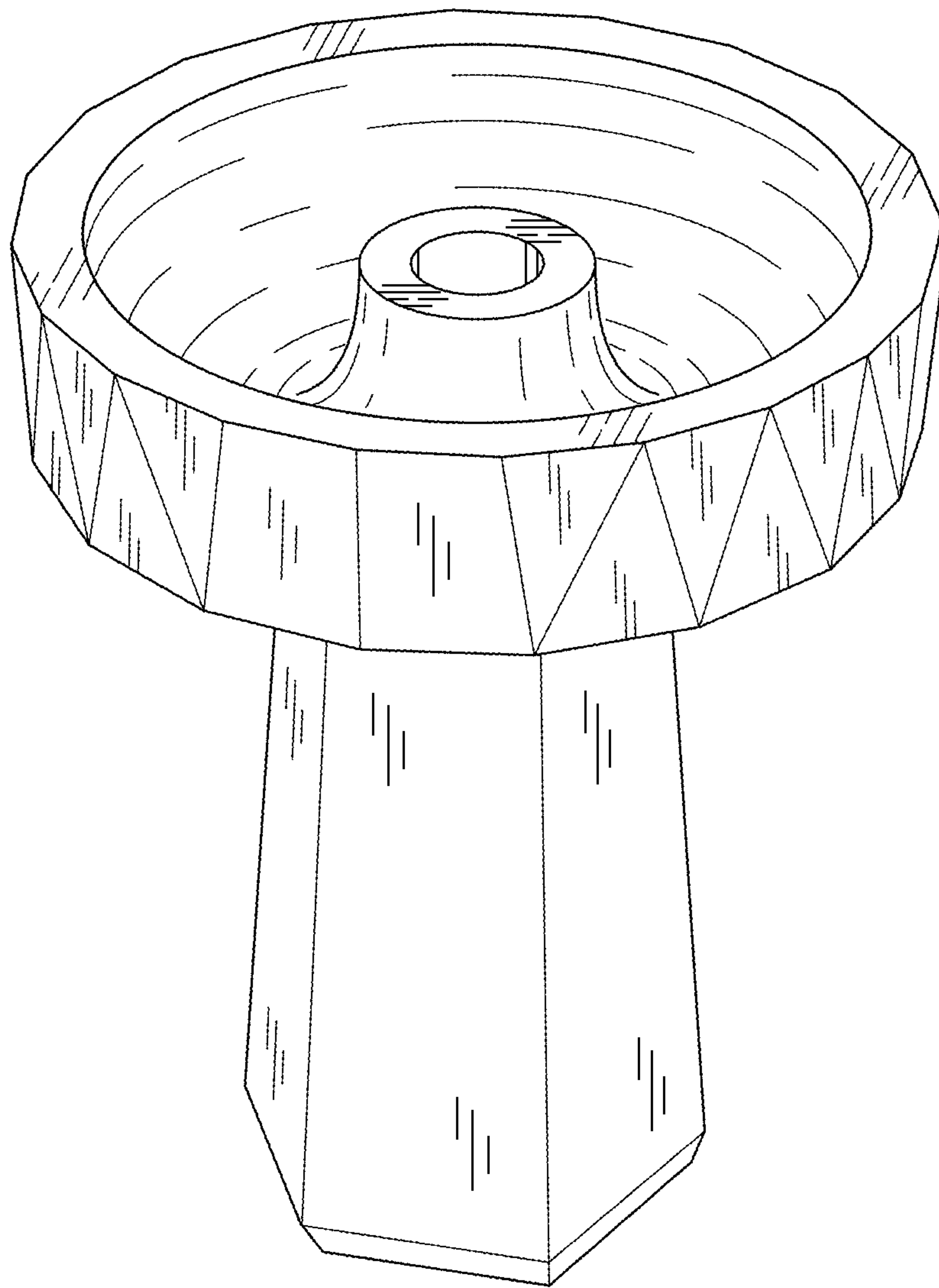


Fig. 2

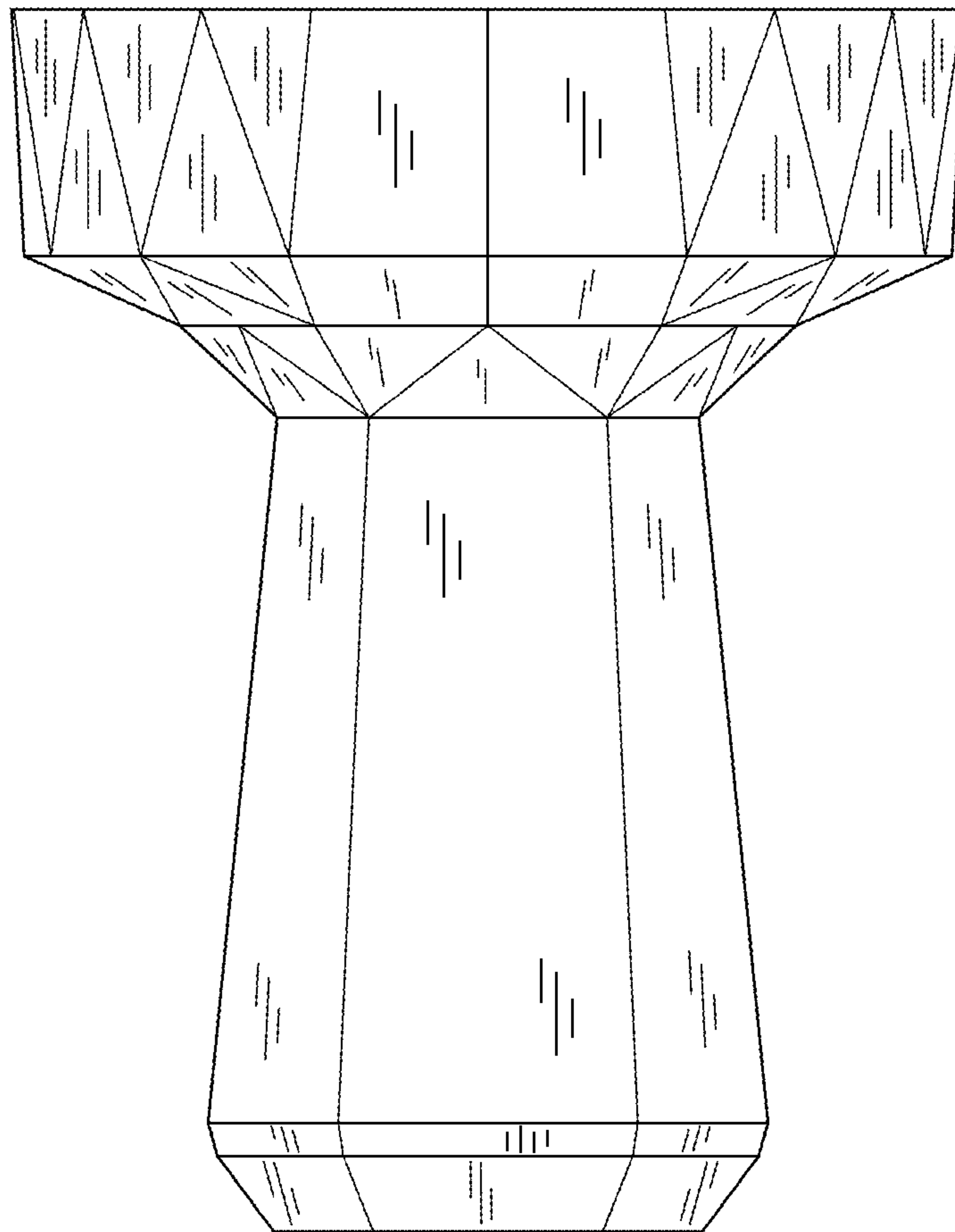


Fig. 3

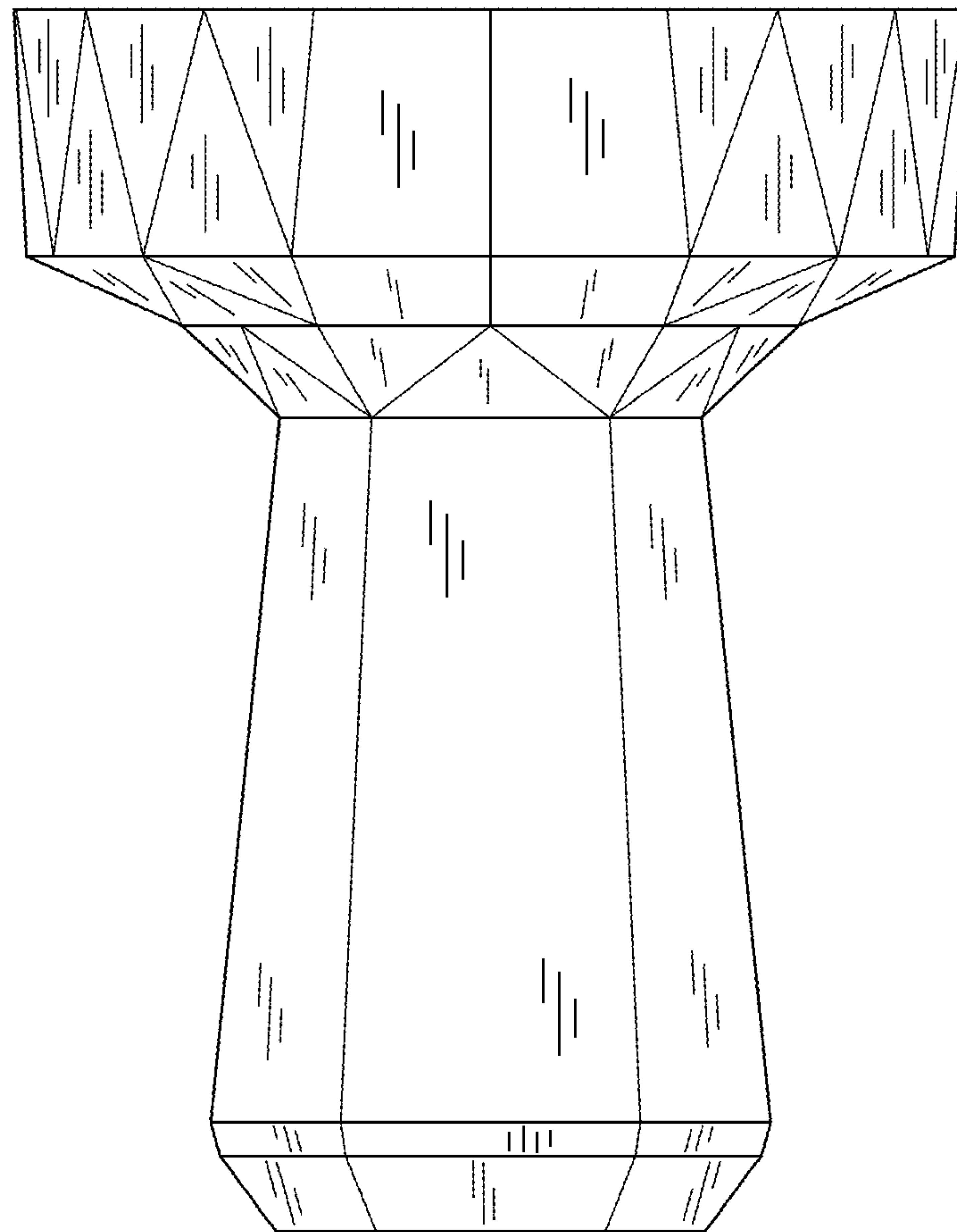


Fig. 4

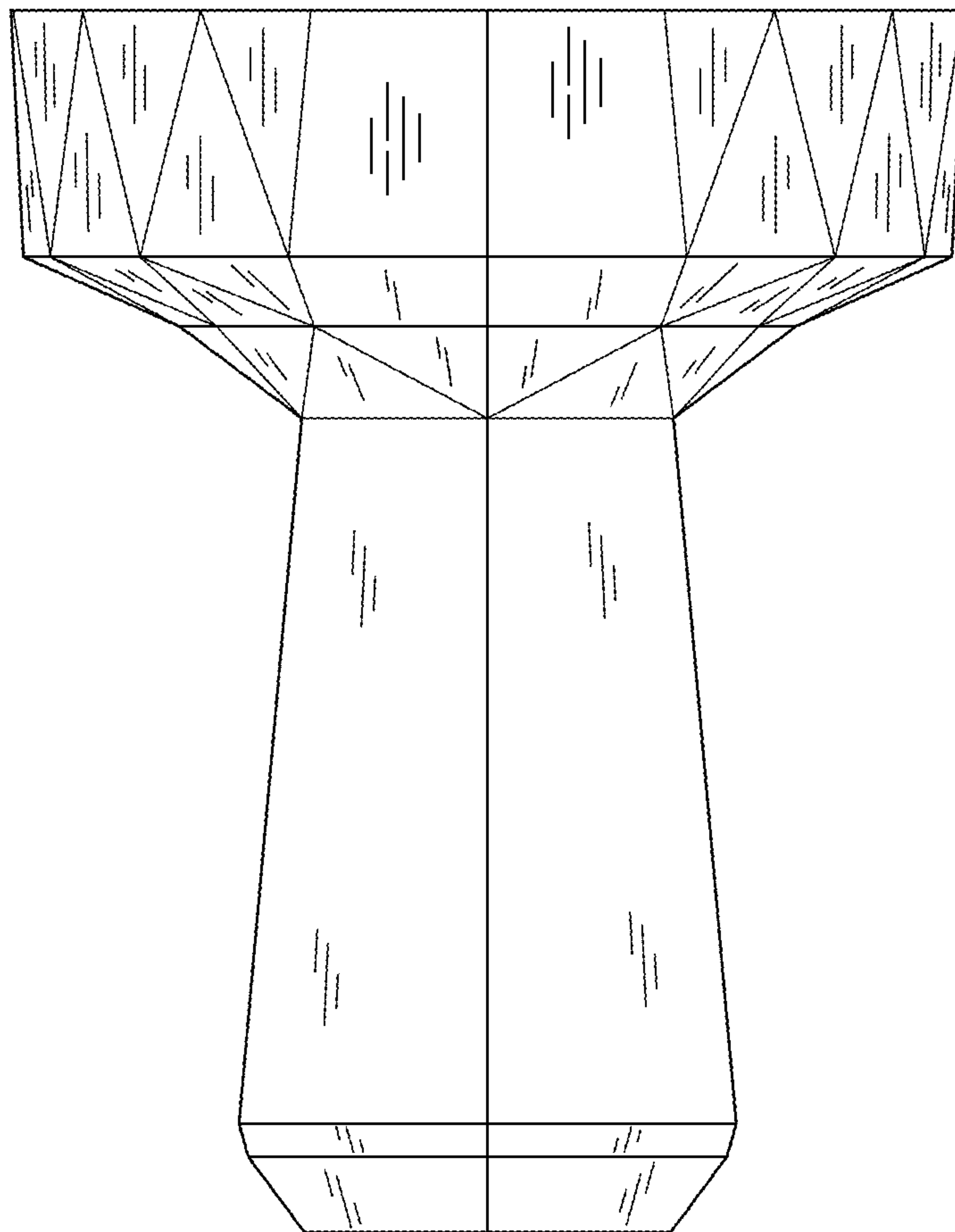


Fig. 5

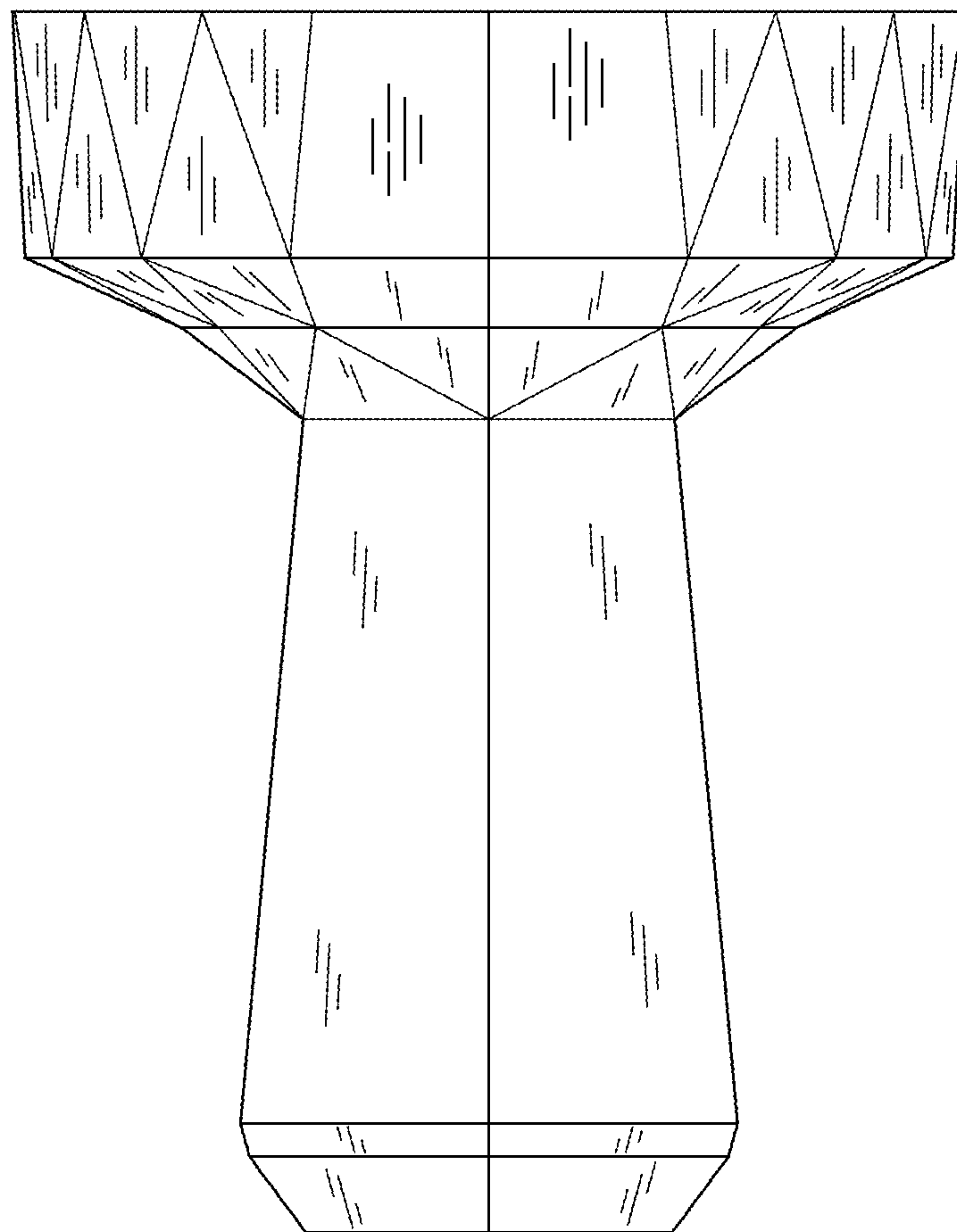


Fig. 6

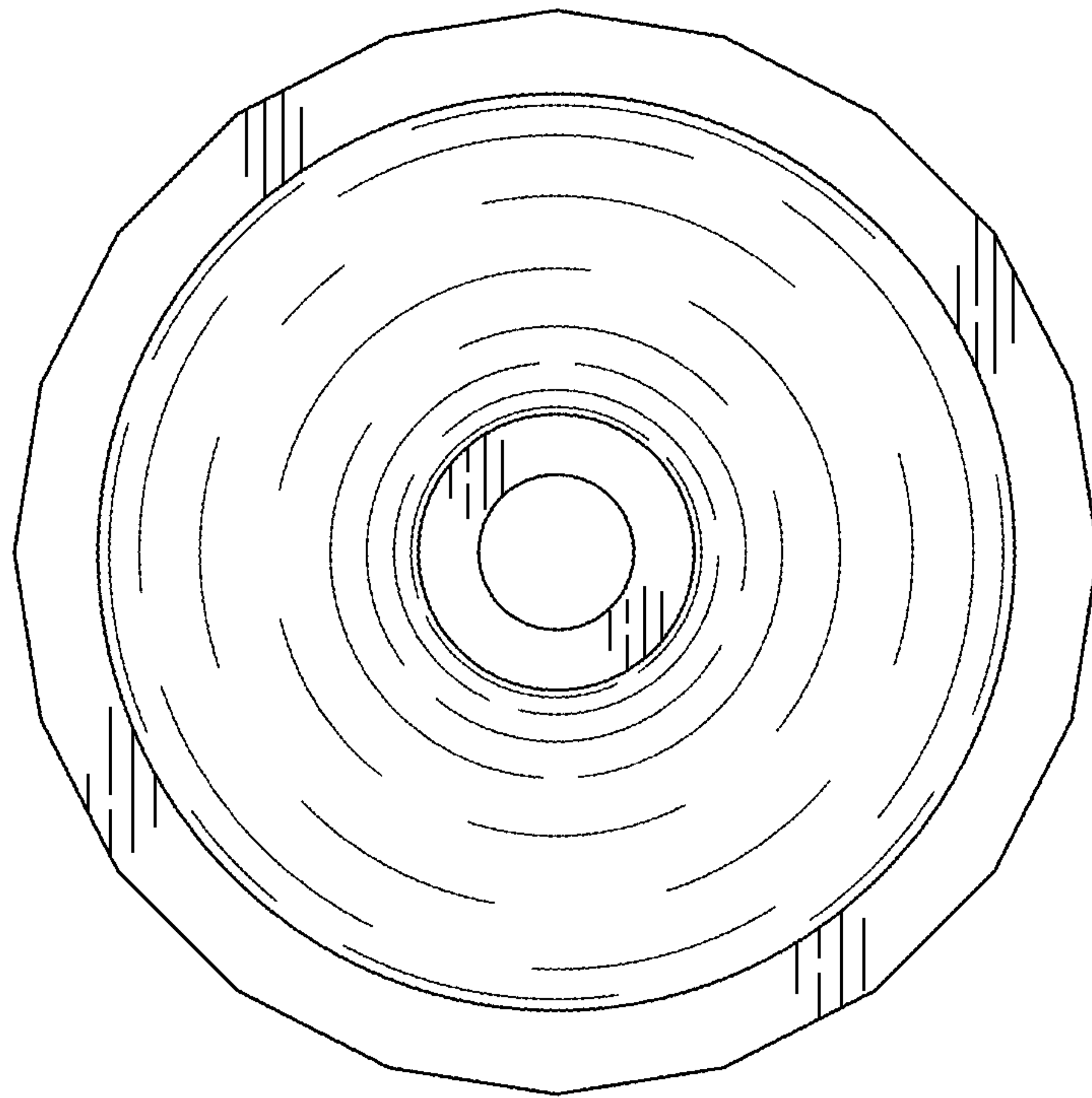


Fig. 7

