



US00D785233S

(12) **United States Design Patent**  
**Dupras**

(10) **Patent No.:** **US D785,233 S**  
(45) **Date of Patent:** **\*\* Apr. 25, 2017**

(54) **MOUNTING SYSTEM FOR LIGHT FIXTURE**

(71) Applicant: **LUMISAVE INDUSTRIAL LED TECHNOLOGIES LTD.**, Prince George (CA)

(72) Inventor: **Jay Dupras**, Prince George (CA)

(73) Assignee: **Lumisave Industrial LED Technologies LTD**, Prince George, BC (CA)

(\*\*) Term: **15 Years**

(21) Appl. No.: **29/544,112**

(22) Filed: **Oct. 30, 2015**

(51) **LOC (10) Cl.** ..... **02-99**

(52) **U.S. Cl.**  
USPC ..... **D26/138**

(58) **Field of Classification Search**  
USPC ..... D26/51, 56, 61-67, 102, 104, 105, 107, D26/108, 109, 110; D8/16-20, 363, 373  
CPC .. F21S 48/134; F21S 48/1109; F21S 48/1159; F21S 48/2237; F21S 48/1747; F21S 48/145; F16M 1/00; F16M 13/022; F21Y 2101/00; G08B 17/00

See application file for complete search history.

(56) **References Cited**

**U.S. PATENT DOCUMENTS**

D488,708 S \* 4/2004 Lam ..... D8/363  
D560,116 S \* 1/2008 Brassard ..... D14/251  
D562,113 S \* 2/2008 Ciungan ..... D14/452  
D590,238 S \* 4/2009 Richter ..... D8/363

D599,355 S \* 9/2009 Richter ..... D14/253  
RE44,740 E \* 2/2014 Ciungan ..... D14/452  
D699,547 S \* 2/2014 Syed ..... D8/363  
D733,957 S \* 7/2015 Tragatschnig ..... D26/118  
D744,321 S \* 12/2015 Boynton ..... D8/363  
D748,457 S \* 2/2016 Lockridge ..... D8/363  
D752,421 S \* 3/2016 Atkins ..... D8/373

\* cited by examiner

*Primary Examiner* — John Windmuller

*Assistant Examiner* — Benjamin Weeks

(74) *Attorney, Agent, or Firm* — Preti Flaherty Beliveau & Pachios LLP

(57) **CLAIM**

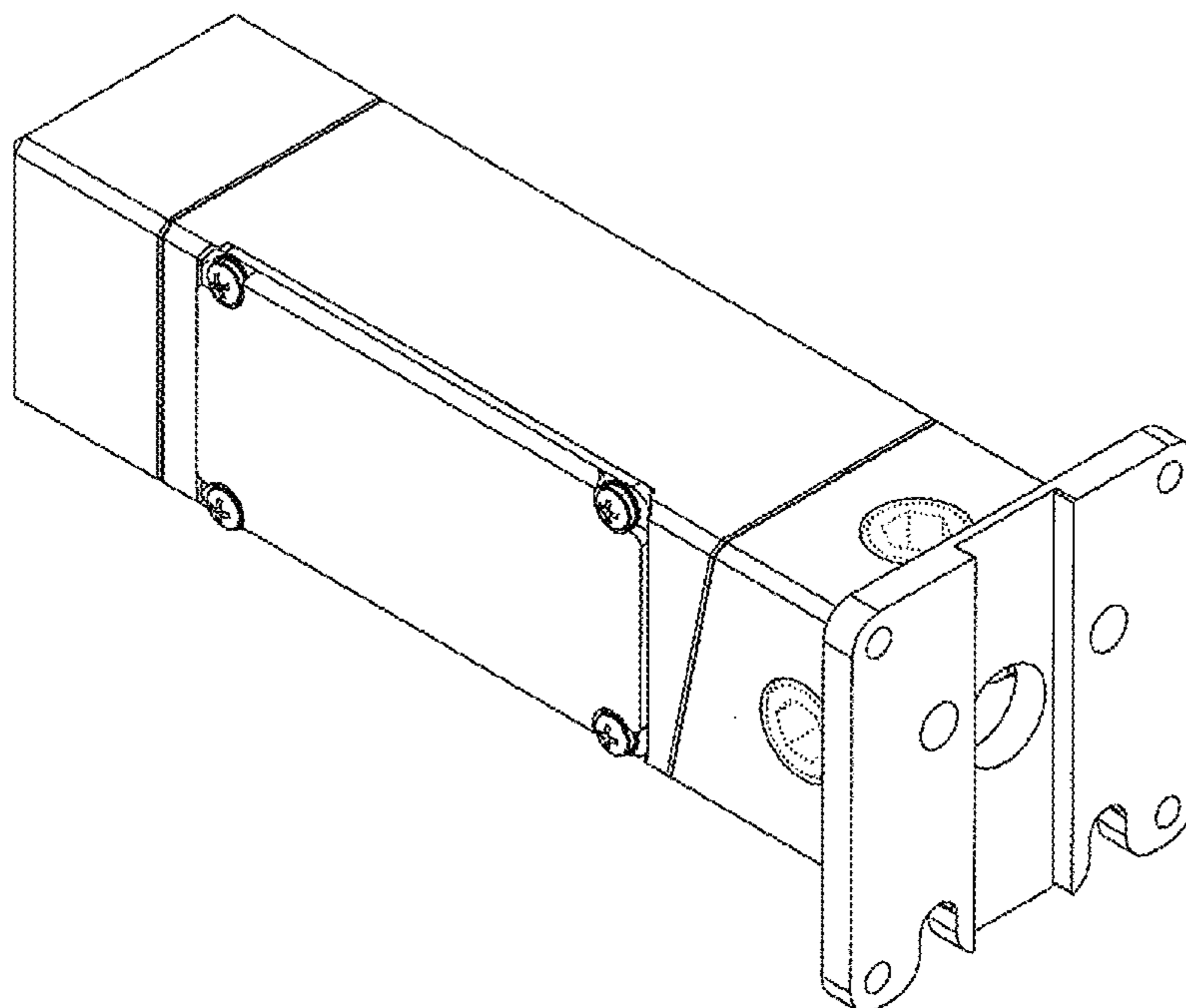
The ornamental design for a mounting system for light fixture, as shown.

**DESCRIPTION**

FIG. 1 is a perspective view of the mounting system. FIG. 2 is a bottom view of the mounting system of FIG. 1. FIG. 3 is a top view of the mounting system of FIG. 1. FIG. 4 is a front view of the mounting system of FIG. 1. FIG. 5 is a back view of the mounting system of FIG. 1. FIG. 6 is a left side view of the mounting system of FIG. 1. FIG. 7 is a right side view of the mounting system of FIG. 1; and, FIG. 8 is an environmental perspective view which shows the mounting system in the context of its operating environment.

The broken lines showing the remainder of the mounting system for light fixture form no part of the claimed design.

**1 Claim, 5 Drawing Sheets**



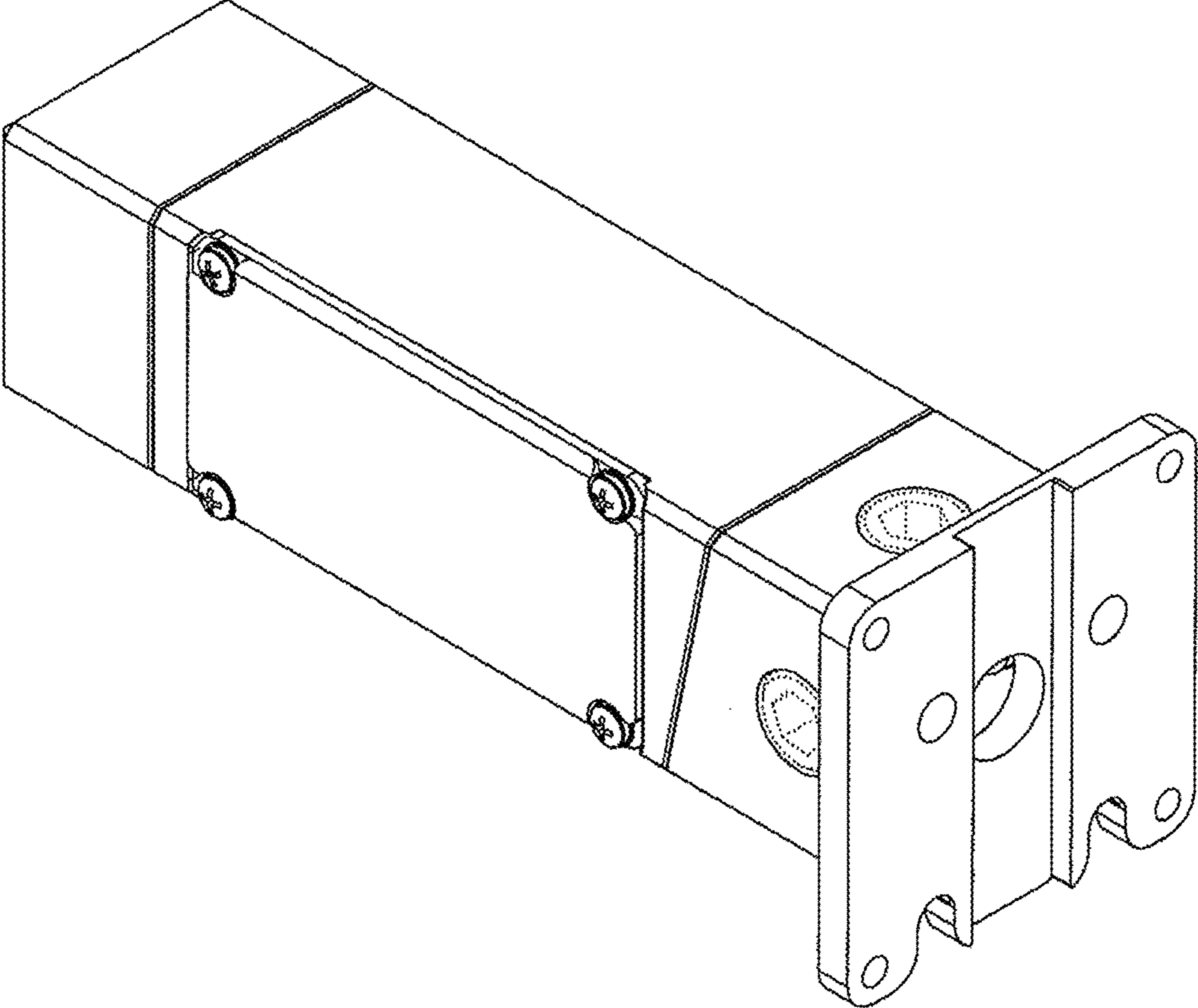


FIG. 1

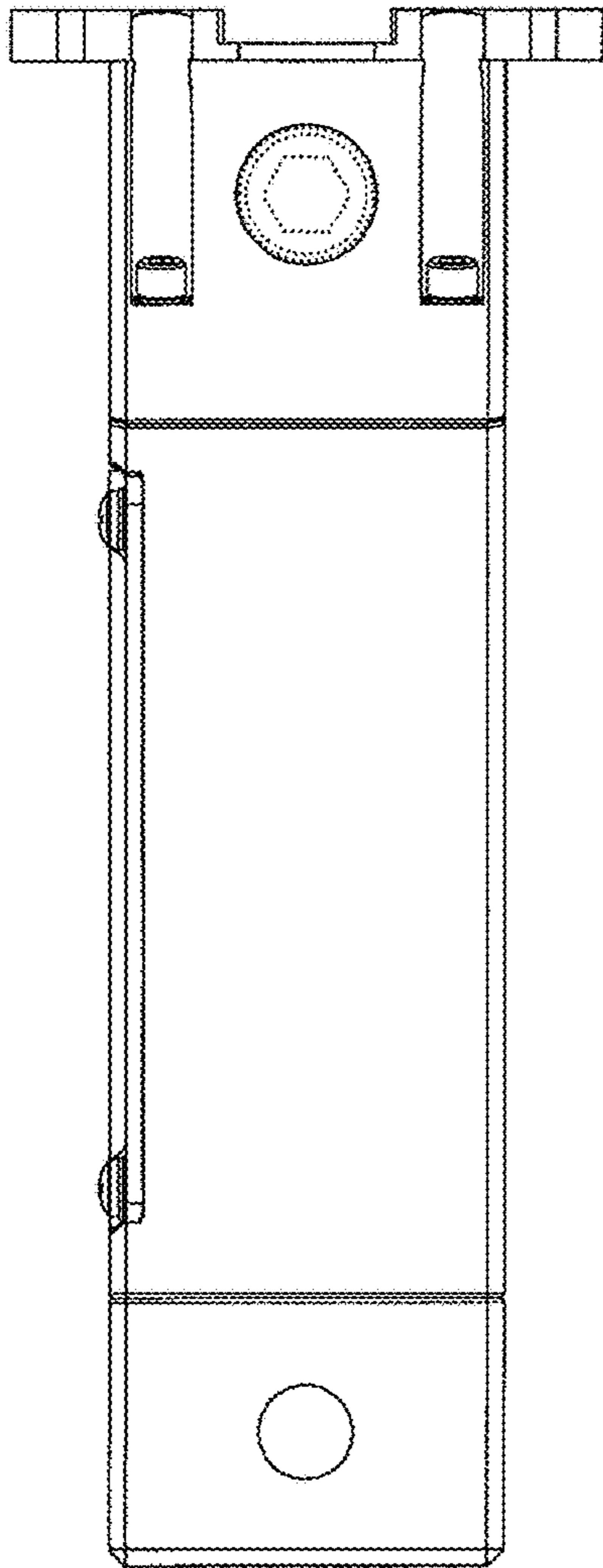


FIG. 2

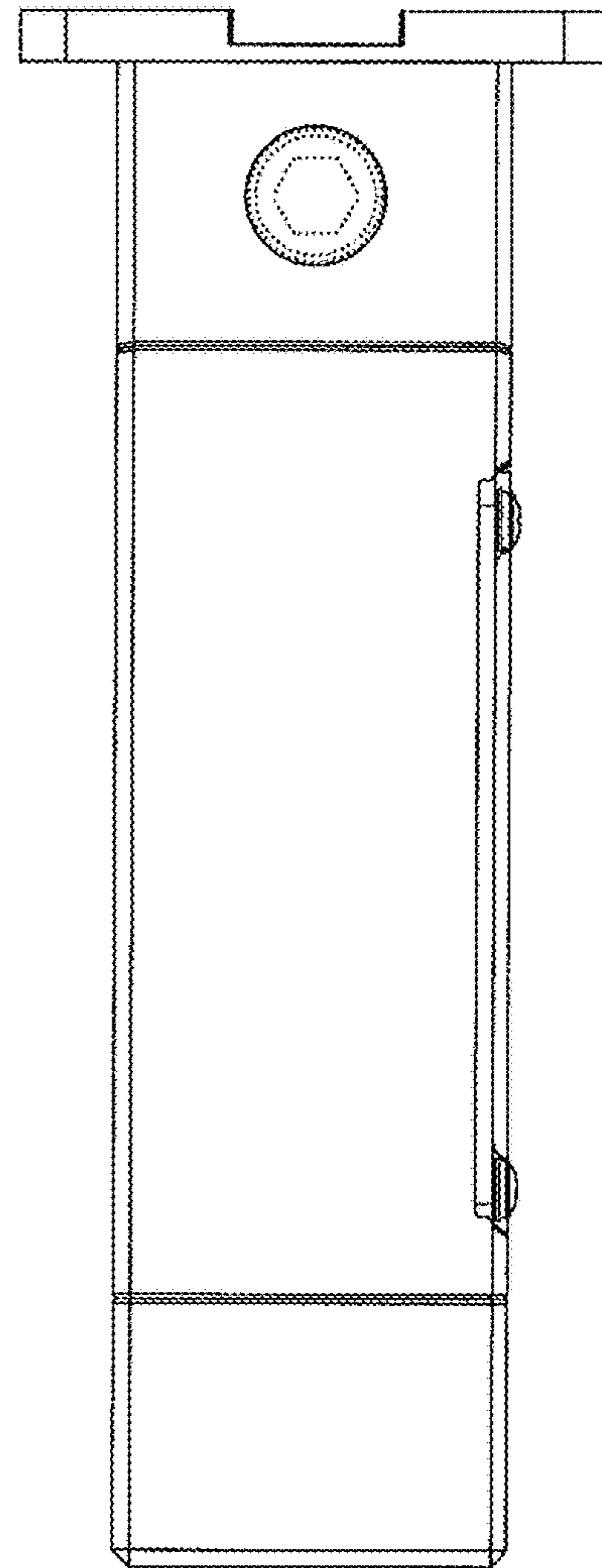


FIG. 3

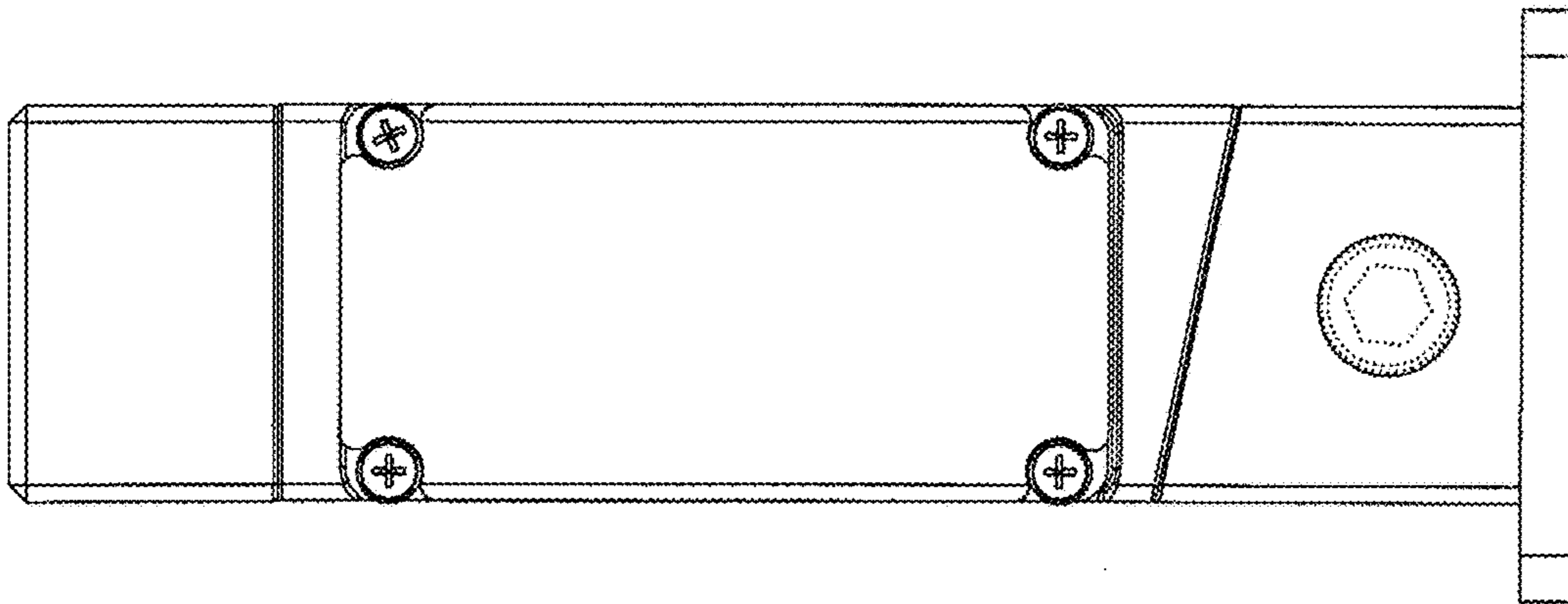


FIG. 4

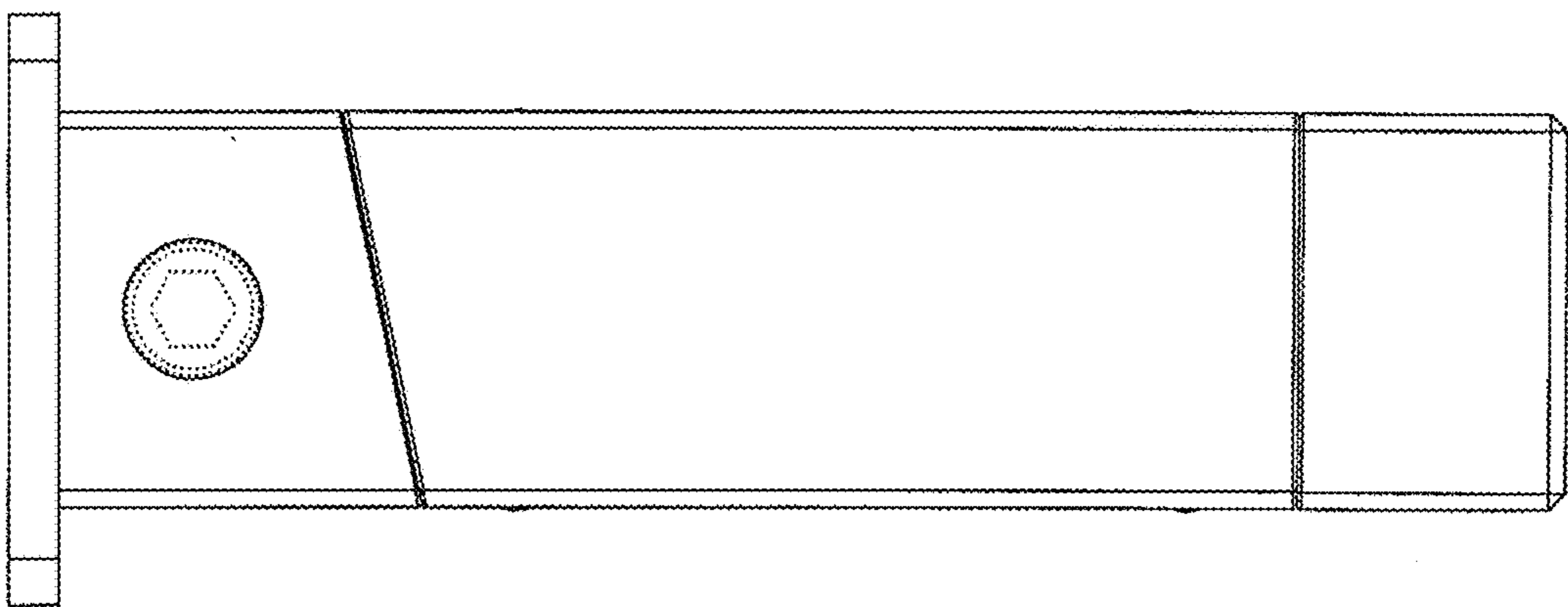


FIG. 5

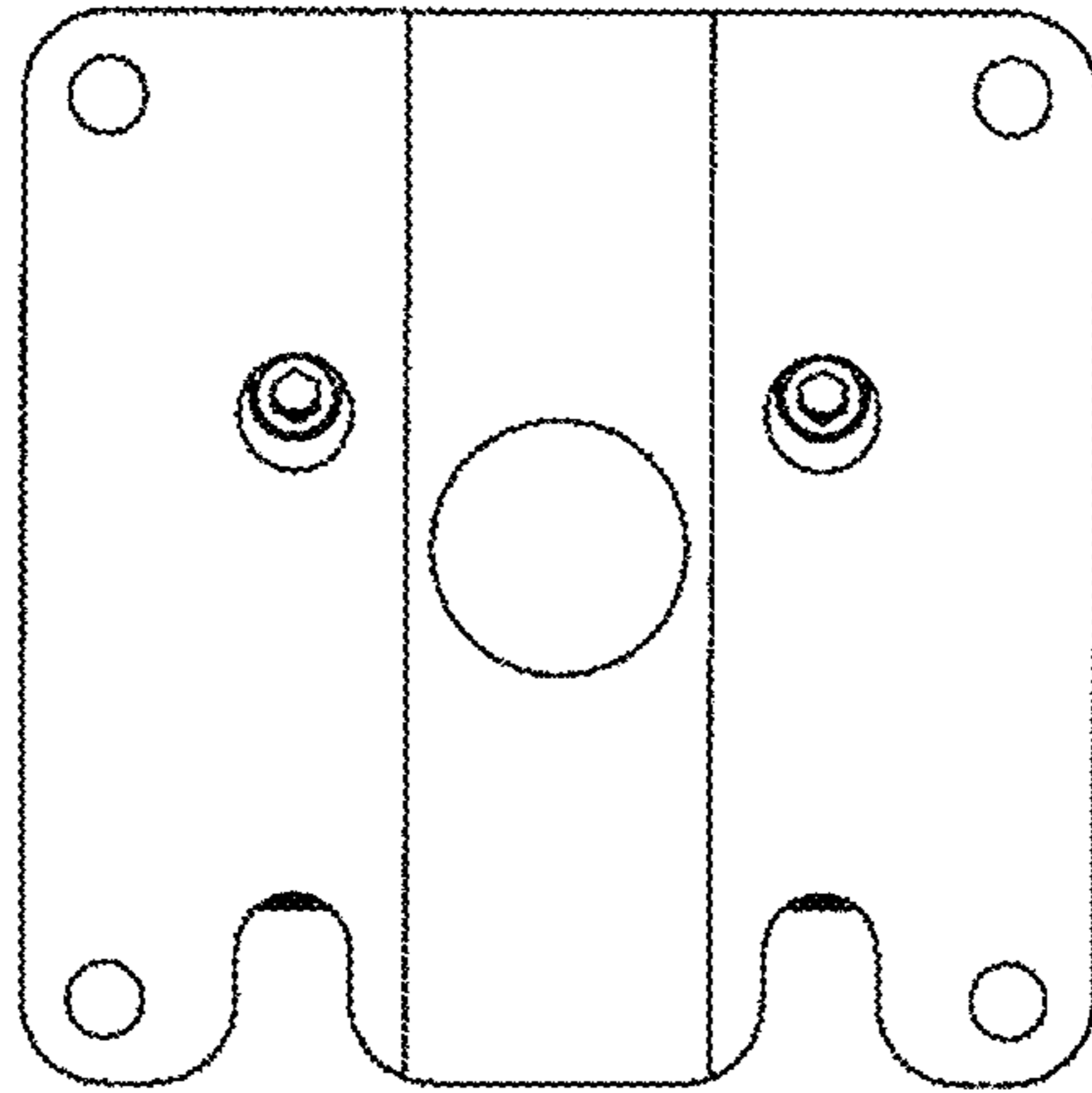


FIG. 6

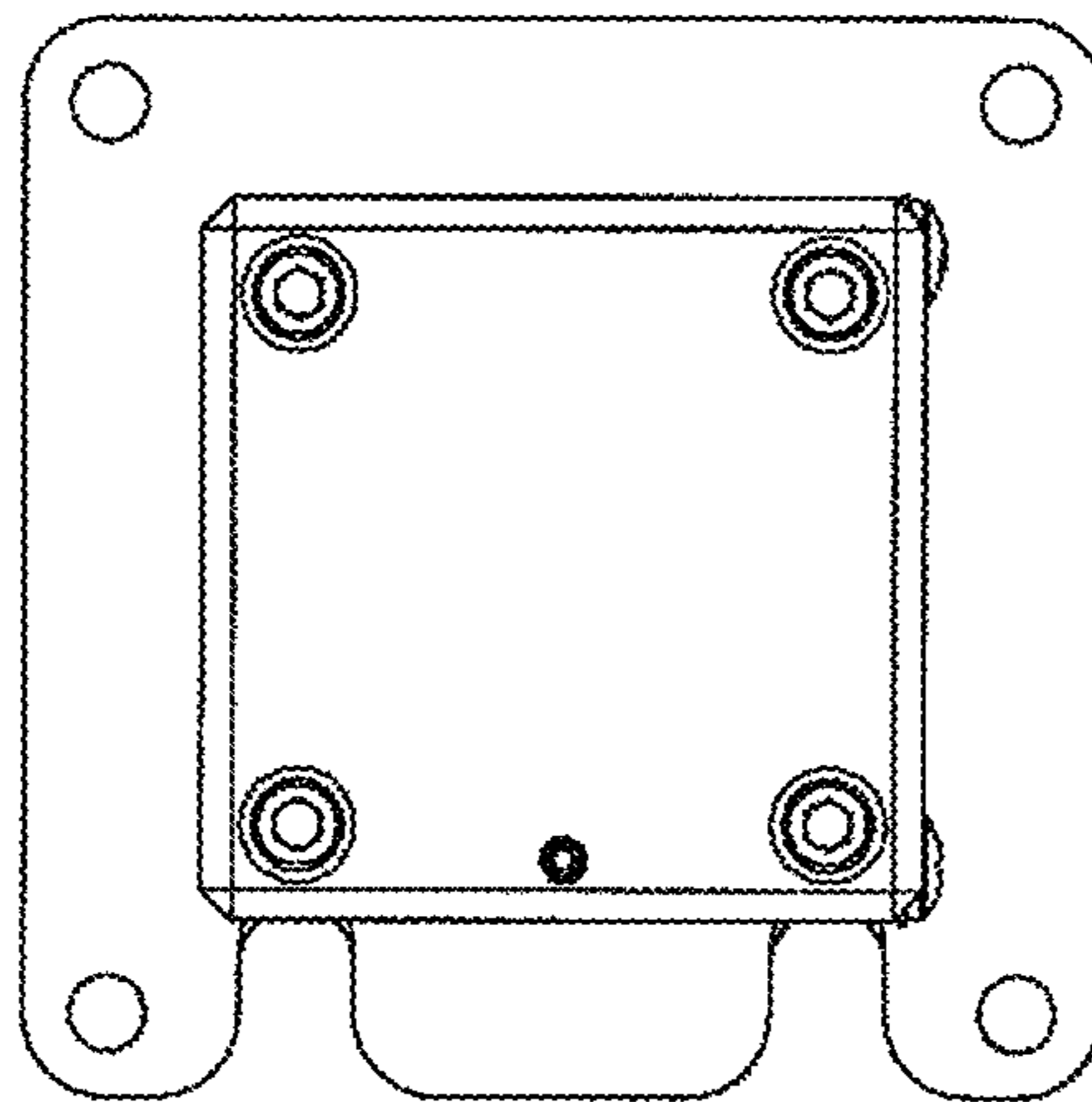


FIG. 7

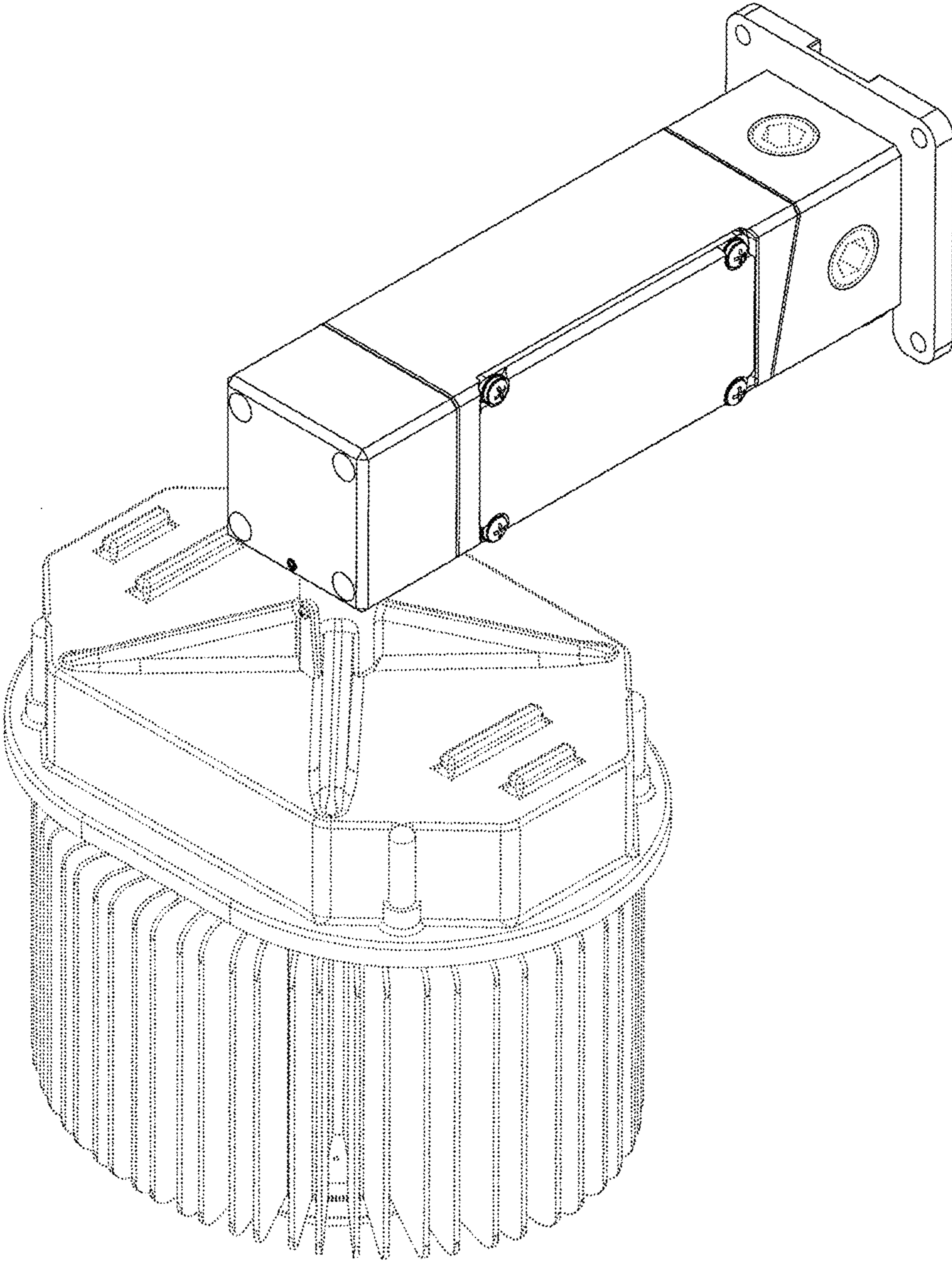


FIG. 8