



US00D785229S

(12) **United States Design Patent** (10) **Patent No.:** **US D785,229 S**
Noh et al. (45) **Date of Patent:** **** Apr. 25, 2017**

(54) **LIGHTING APPARATUS**
(71) Applicant: **FEELUX CO., LTD.**, Yangju-si, Gyeonggi-do (KR)
(72) Inventors: **Si Chung Noh**, Yangju-si (KR); **Dae Ouk Bae**, Seoul (KR); **Jun Jang**, Seoul (KR); **Beom Yeon Cho**, Seoul (KR)
(73) Assignees: **FEELUX CO., LTD.**, Yangju-si, Gyeonggi-do (KR); **FEELUX LIGHTING, INC.**, Norcross, GA (US)
(**) Term: **15 Years**
(21) Appl. No.: **29/530,871**
(22) Filed: **Jun. 19, 2015**
(51) **LOC (10) Cl.** **26-03**
(52) **U.S. Cl.**
USPC **D26/76**
(58) **Field of Classification Search**
USPC D26/71, 72, 75, 76, 78, 79, 80, 81, 82, D26/83, 85, 86, 88, 90, 113, 118, 119, D26/120, 121, 122, 138
CPC F21S 2/00; F21S 4/00; F21S 4/003; F21S 4/005; F21S 4/006; F21S 4/007; F21S 4/008; F21S 6/00; F21S 8/00; F21S 8/024; F21S 8/026; F21S 8/031; F21S 8/033; F21S 8/035-8/037; F21S 8/04; F21S 8/043; F21S 8/063
See application file for complete search history.

(56) **References Cited**
U.S. PATENT DOCUMENTS
D520,667 S * 5/2006 Jae-Sung D26/25
D521,173 S * 5/2006 Noh D26/78
D526,737 S * 8/2006 Noh D26/75
D603,078 S * 10/2009 Noh D26/76

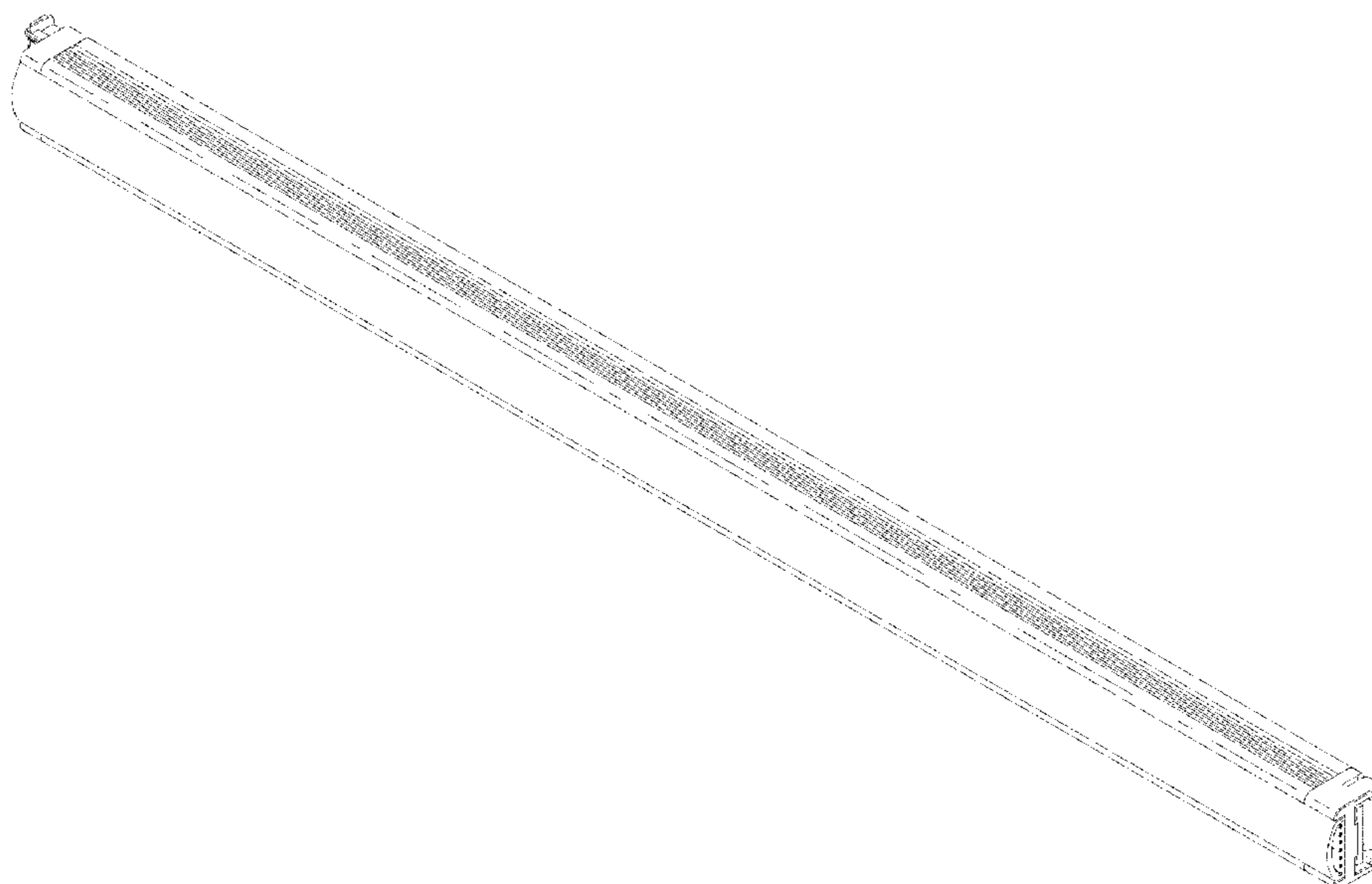
D605,809 S * 12/2009 Noh D26/76
D608,928 S * 1/2010 Noh D26/76
D729,423 S 5/2015 Noh et al.
D735,392 S * 7/2015 Ng D26/76
D766,487 S * 9/2016 Cai D26/76
2012/0092875 A1* 4/2012 Cho F21S 2/005
362/311.01
2014/0112001 A1* 4/2014 Noh F21V 23/02
362/311.01

* cited by examiner
Primary Examiner — George D Kirschbaum
Assistant Examiner — Natasha Vujcic
(74) *Attorney, Agent, or Firm* — Novick, Kim & Lee, PLLC; Sang Ho Lee

(57) **CLAIM**
We claim the ornamental design of a lighting apparatus, as shown and described.

DESCRIPTION
FIG. 1 is a front perspective view of a lighting apparatus, showing our new design;
FIG. 2 is a front elevational view thereof;
FIG. 3 is a rear elevational view thereof;
FIG. 4 is a left side elevational view thereof;
FIG. 5 is a right side elevational view thereof;
FIG. 6 is a top plan view thereof;
FIG. 7 is a bottom plan view thereof;
FIG. 8 is another front perspective view thereof;
FIG. 9 is an enlarged cross-sectional view along the 9-9 axis of FIG. 6;
FIG. 10 is an enlarged front perspective view of the left side terminal of FIG. 1; and,
FIG. 11 is an enlarged near perspective view of the right side terminal of FIG. 1.
The broken lines in the drawings illustrate portions of the lighting apparatus which form no part of the claimed design.

1 Claim, 10 Drawing Sheets



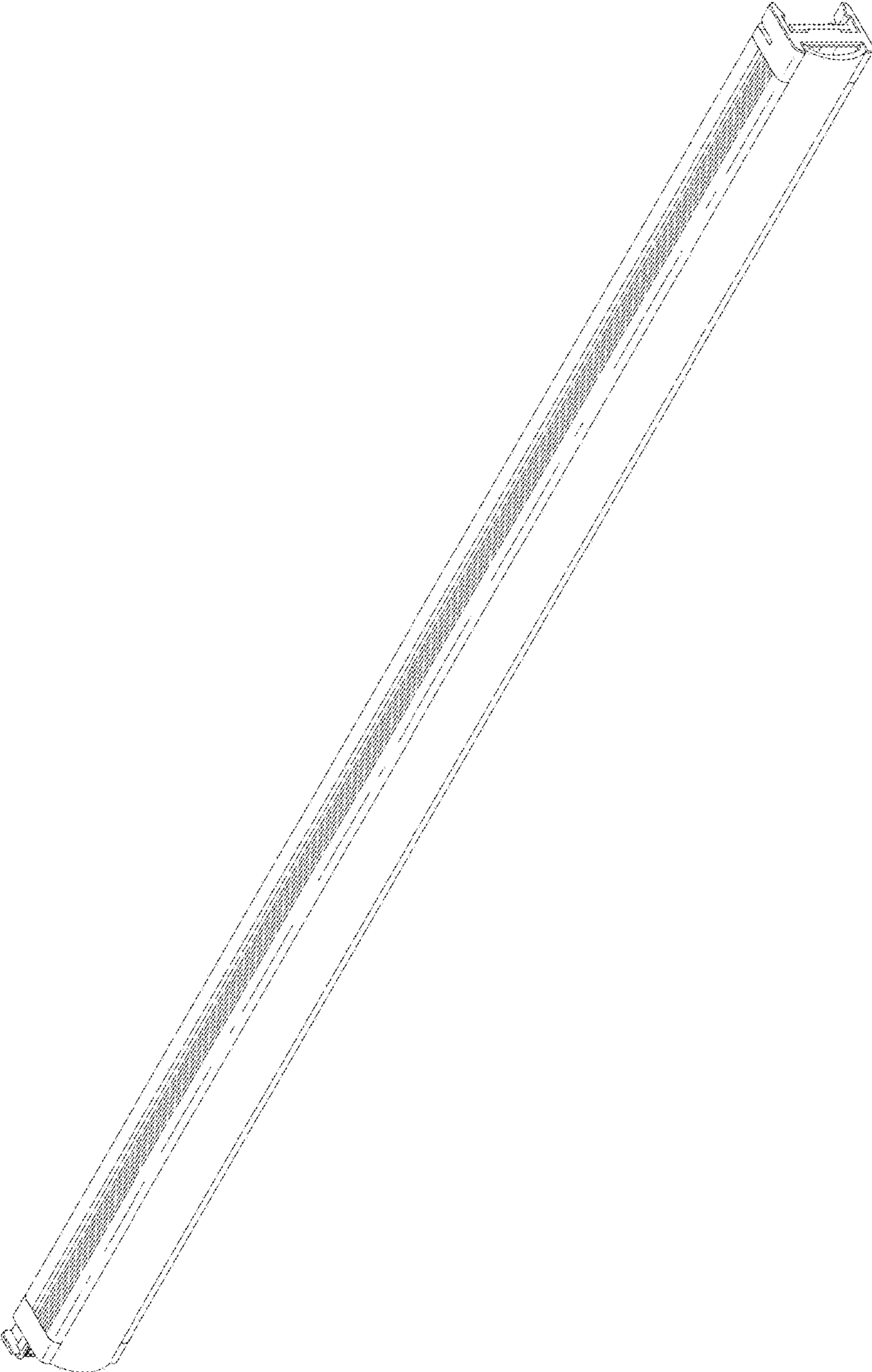


FIG. 1

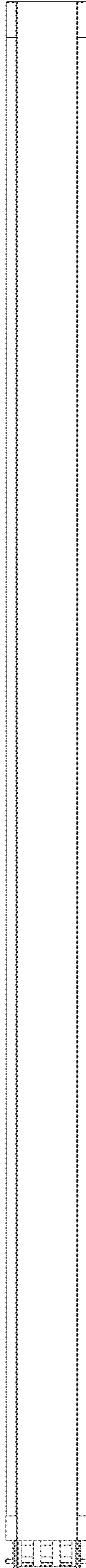


FIG. 2

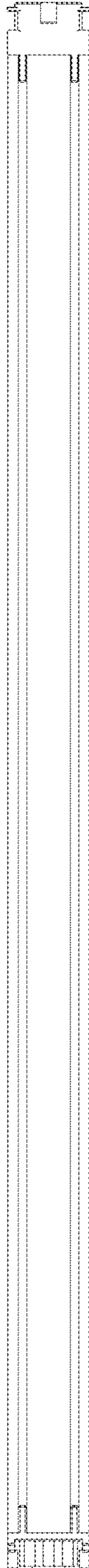


FIG. 3

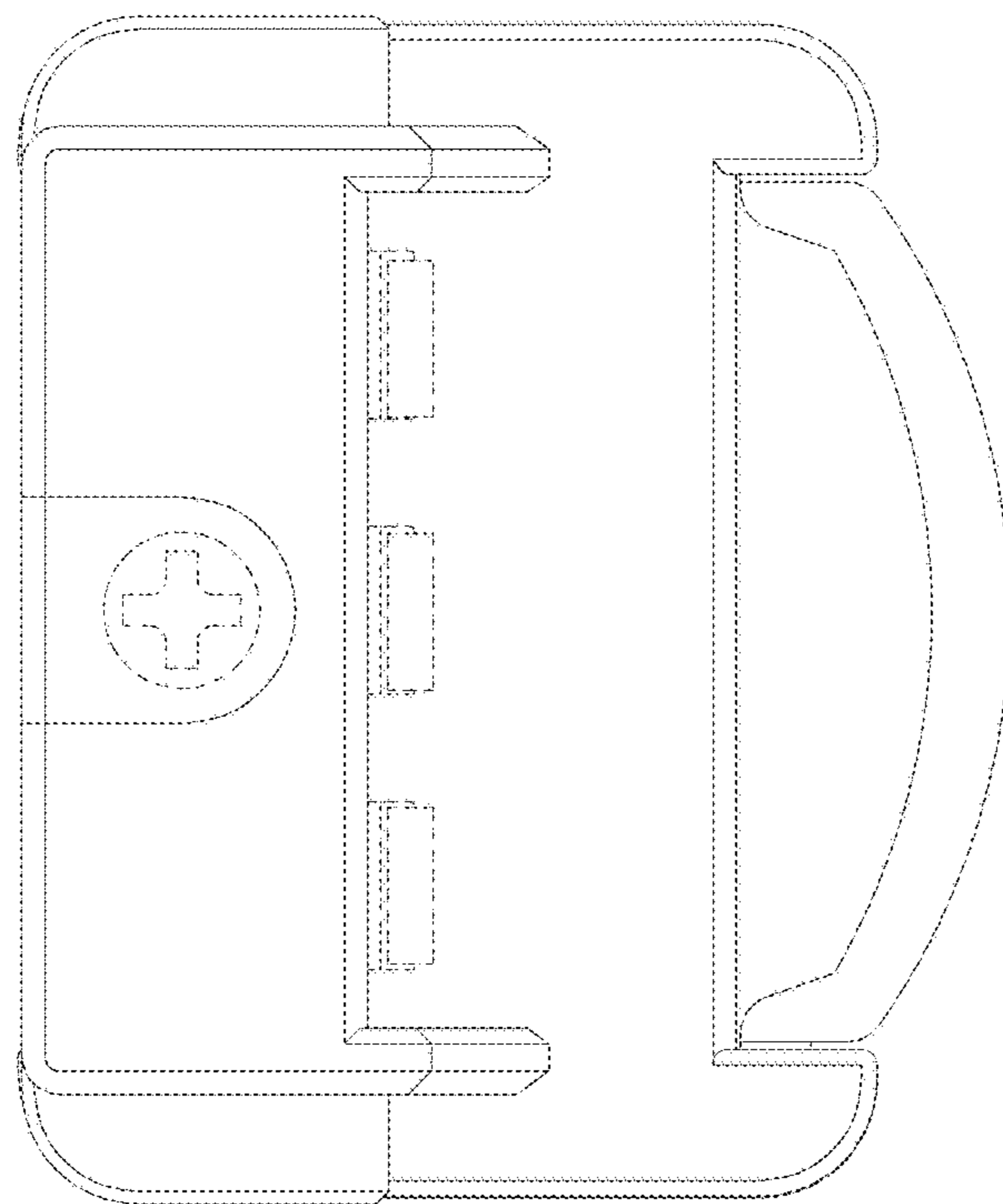


FIG. 4

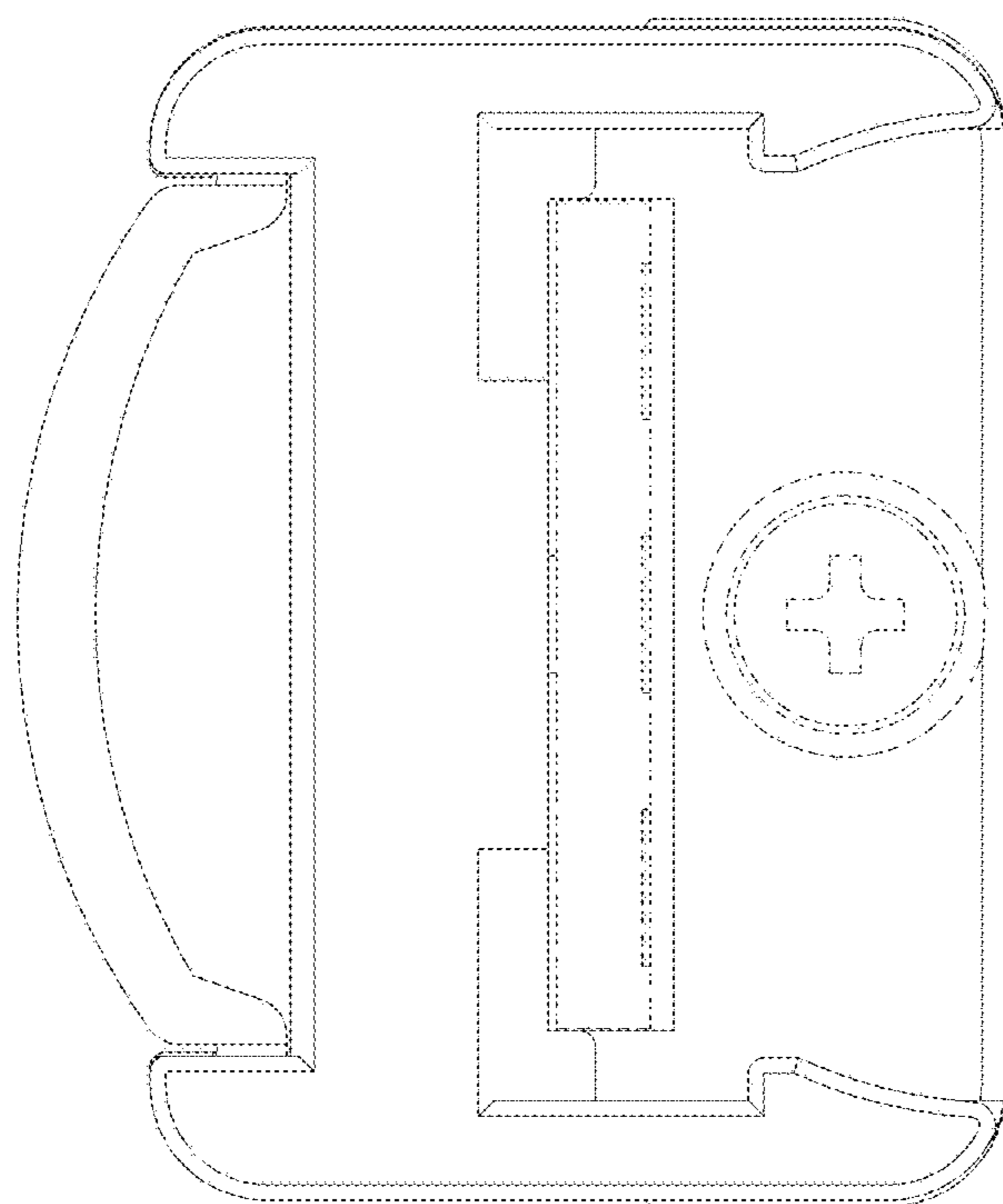


FIG. 5

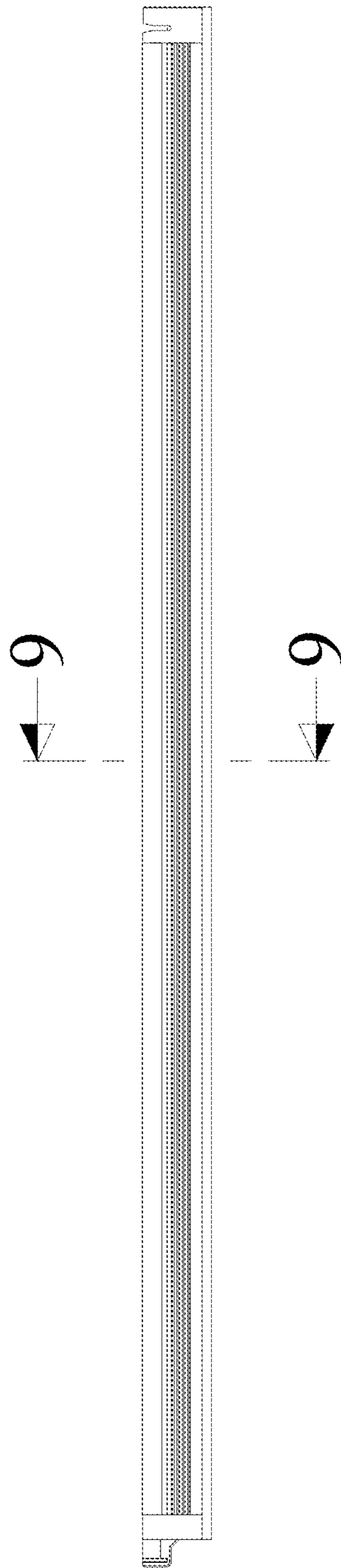


FIG. 6

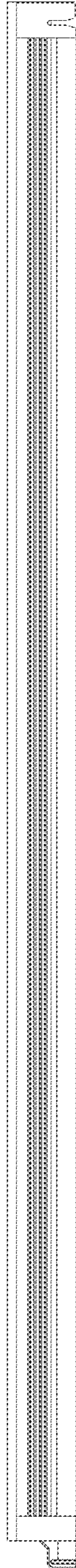


FIG. 7

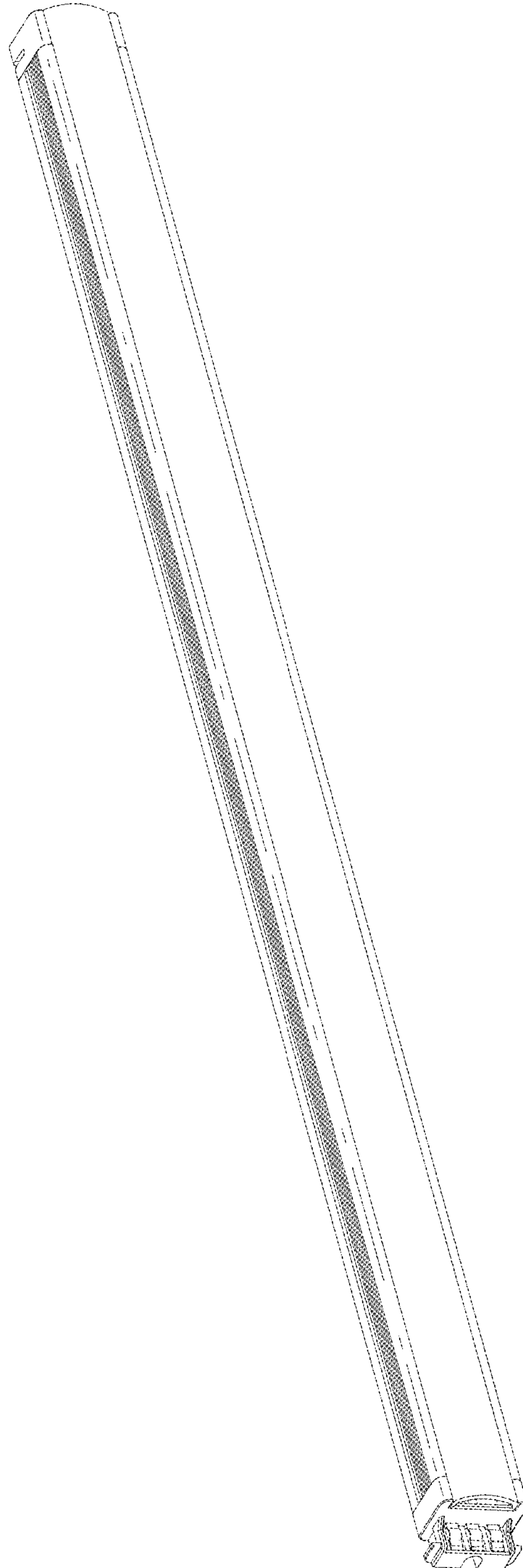


FIG. 8

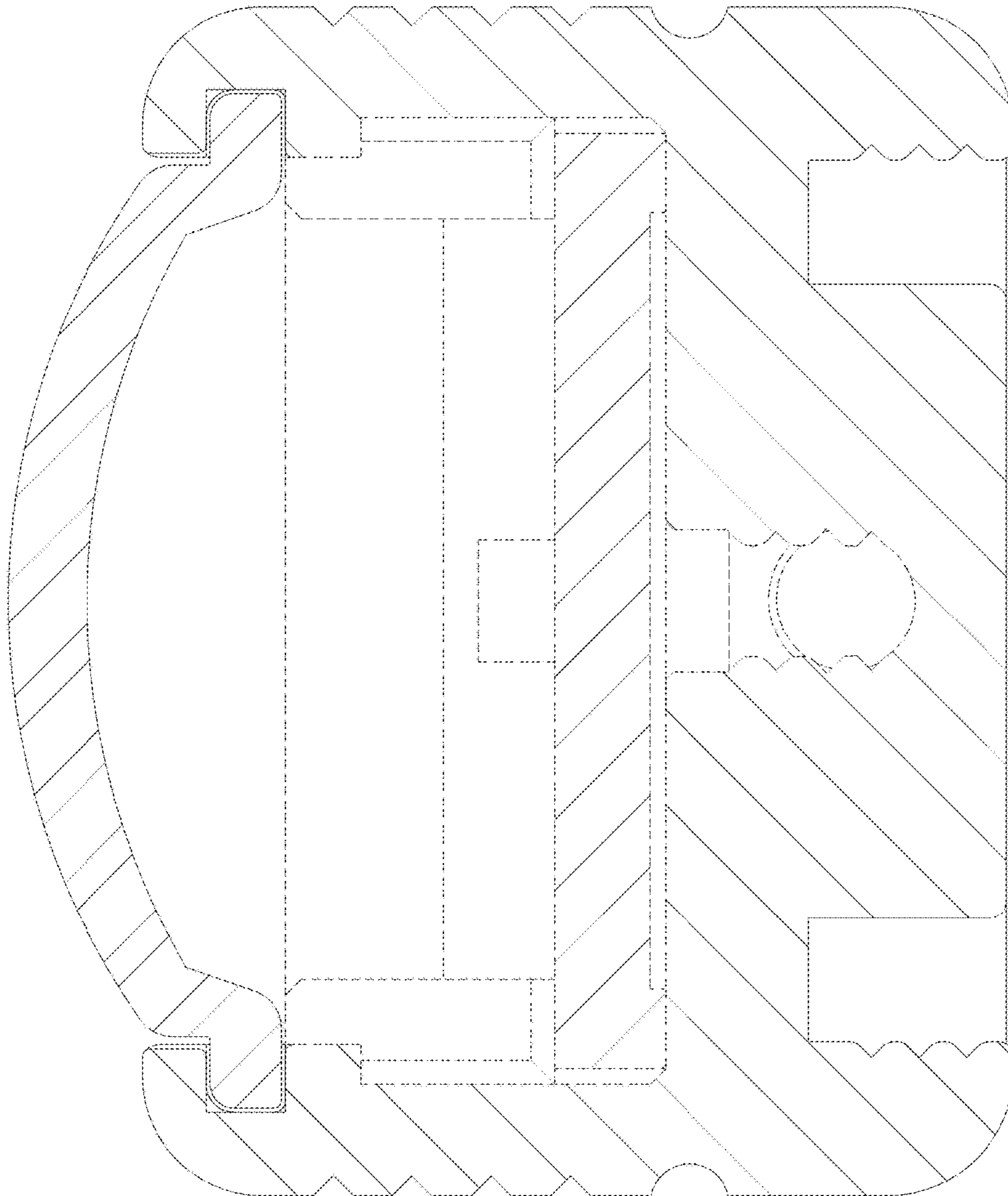


FIG. 9

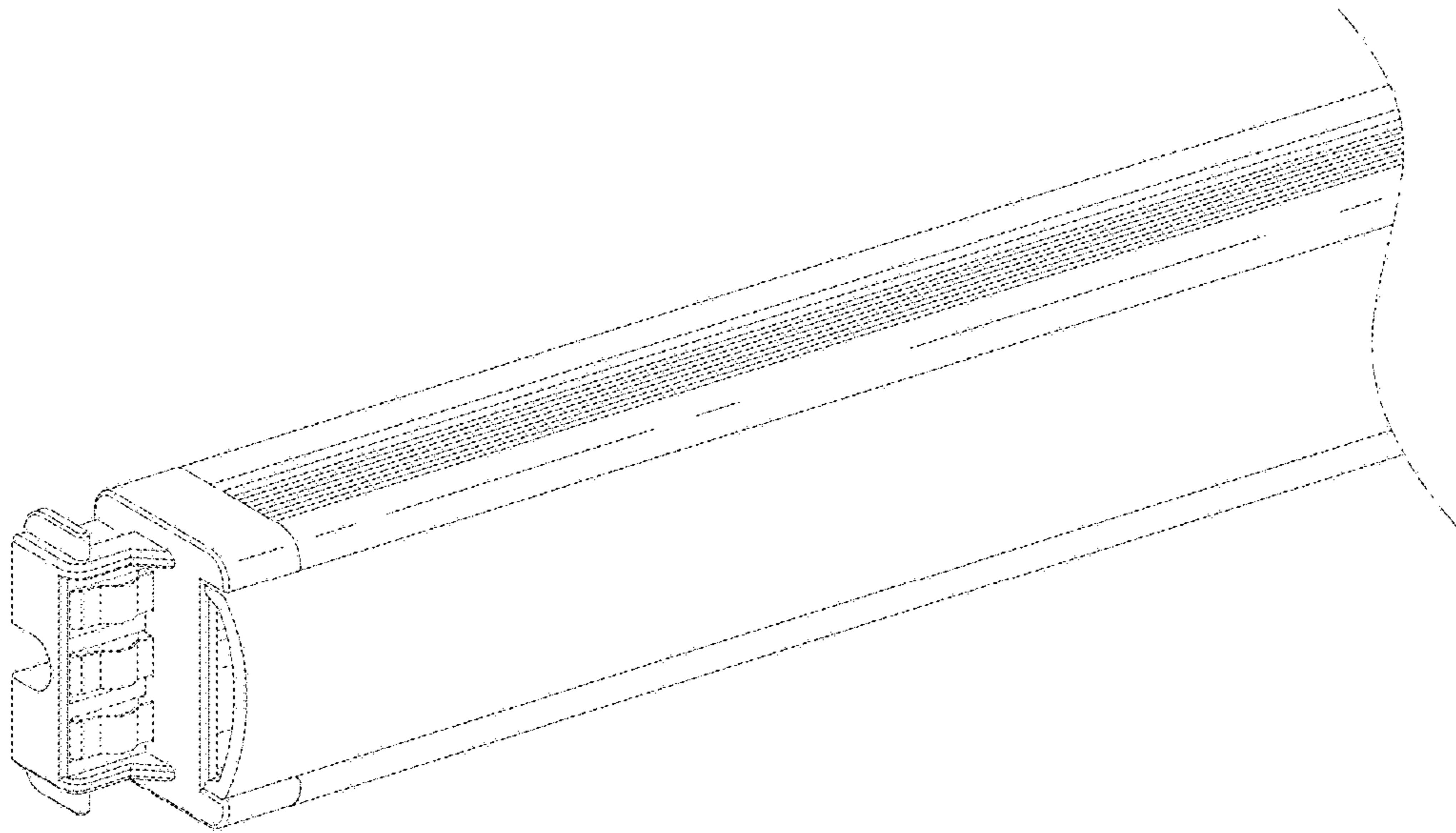


FIG. 10

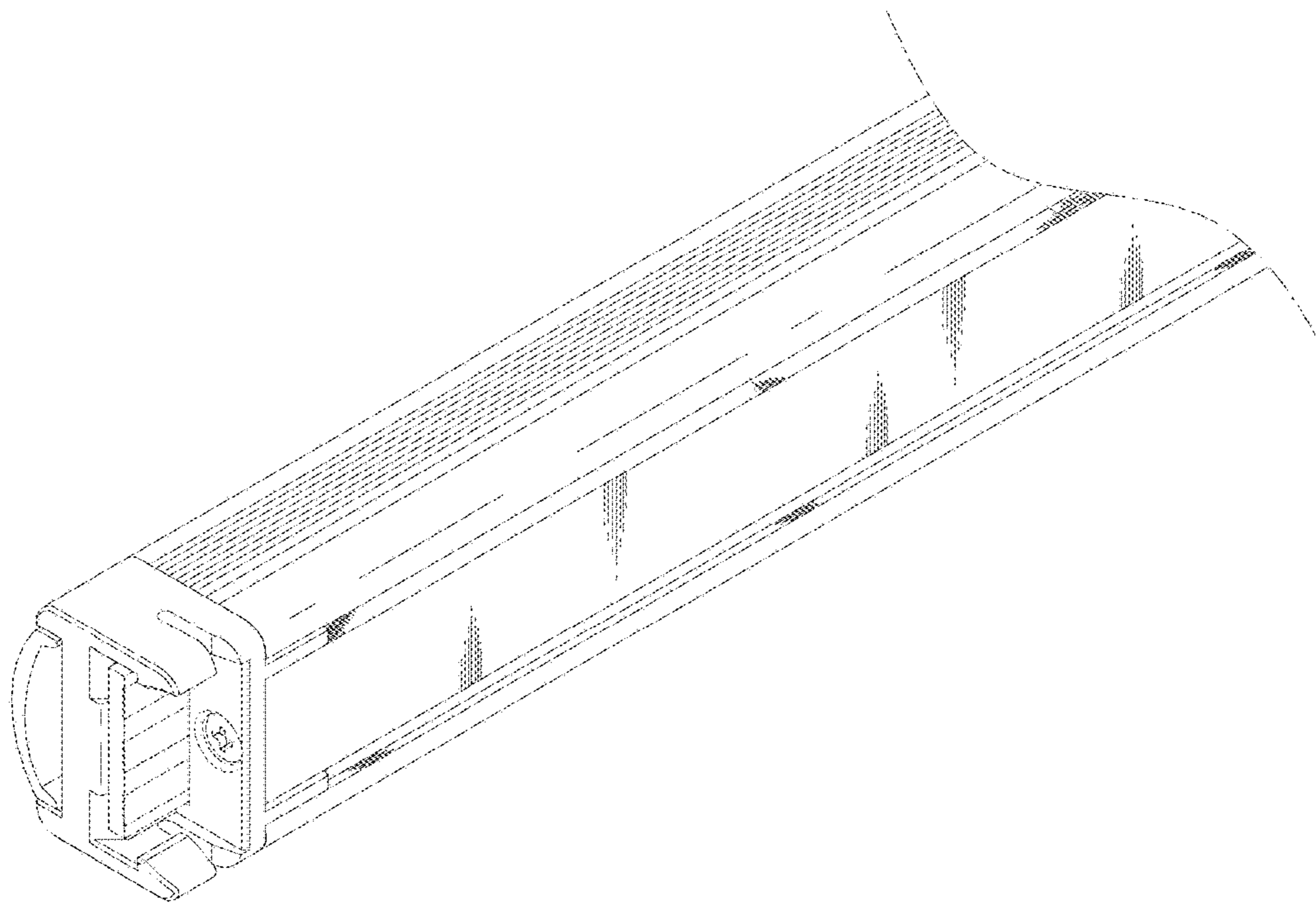


FIG. 11