



US00D785227S

(12) **United States Design Patent**
Guzzini

(10) **Patent No.:** **US D785,227 S**

(45) **Date of Patent:** **** Apr. 25, 2017**

(54) **LUMINAIRE**
(71) Applicant: **Iguzzini Illuminazione S.P.A.**, Recanati (IT)
(72) Inventor: **Adolfo Guzzini**, Recanati (IT)
(73) Assignee: **Iguzzini Illuminazione S.p.A.**, Recanati (IT)
(**) Term: **15 Years**

7,465,070 B2 * 12/2008 Engel F21S 2/00
362/147
D632,821 S * 2/2011 Culbert D26/74
D639,994 S * 6/2011 Wauters D26/83
D696,447 S * 12/2013 Huh D26/74
D698,970 S * 2/2014 Guzzini D26/74
D698,971 S * 2/2014 Guzzini D26/74
D698,972 S * 2/2014 Guzzini D26/74
D699,385 S * 2/2014 Guzzini D26/74
D699,880 S * 2/2014 Szoke D26/74
D715,476 S * 10/2014 Tien D26/74
2015/0369448 A1 * 12/2015 Clauss et al. F21V 31/005
362/311.02

(21) Appl. No.: **29/530,993**

* cited by examiner

(22) Filed: **Jun. 22, 2015**

Primary Examiner — Angela J Lee

(30) **Foreign Application Priority Data**

(74) *Attorney, Agent, or Firm* — Stetina Brunda Garred & Brucker

Dec. 23, 2014 (EP) 002604660-0004

(51) **LOC (10) Cl.** **26-05**

(52) **U.S. Cl.**
USPC **D26/74**

(57) **CLAIM**

(58) **Field of Classification Search**
USPC D26/74, 72, 75, 76, 77, 78, 85, 88, 89,
D26/118, 138, 141; 362/364, 365, 373,
362/145, 146, 147, 148, 150, 153, 153.1,
362/294, 296.01, 296.07, 296.08
CPC F21V 29/2262; F21V 7/06; F21V 21/044;
F21V 21/047; F21V 29/2212; F21V
29/2225; F21V 29/2256; F21V 29/225;
F21V 29/2268; F21Y 2111/002; F21S
8/02; F21S 8/026
See application file for complete search history.

The ornamental design for luminaire, as shown and described.

DESCRIPTION

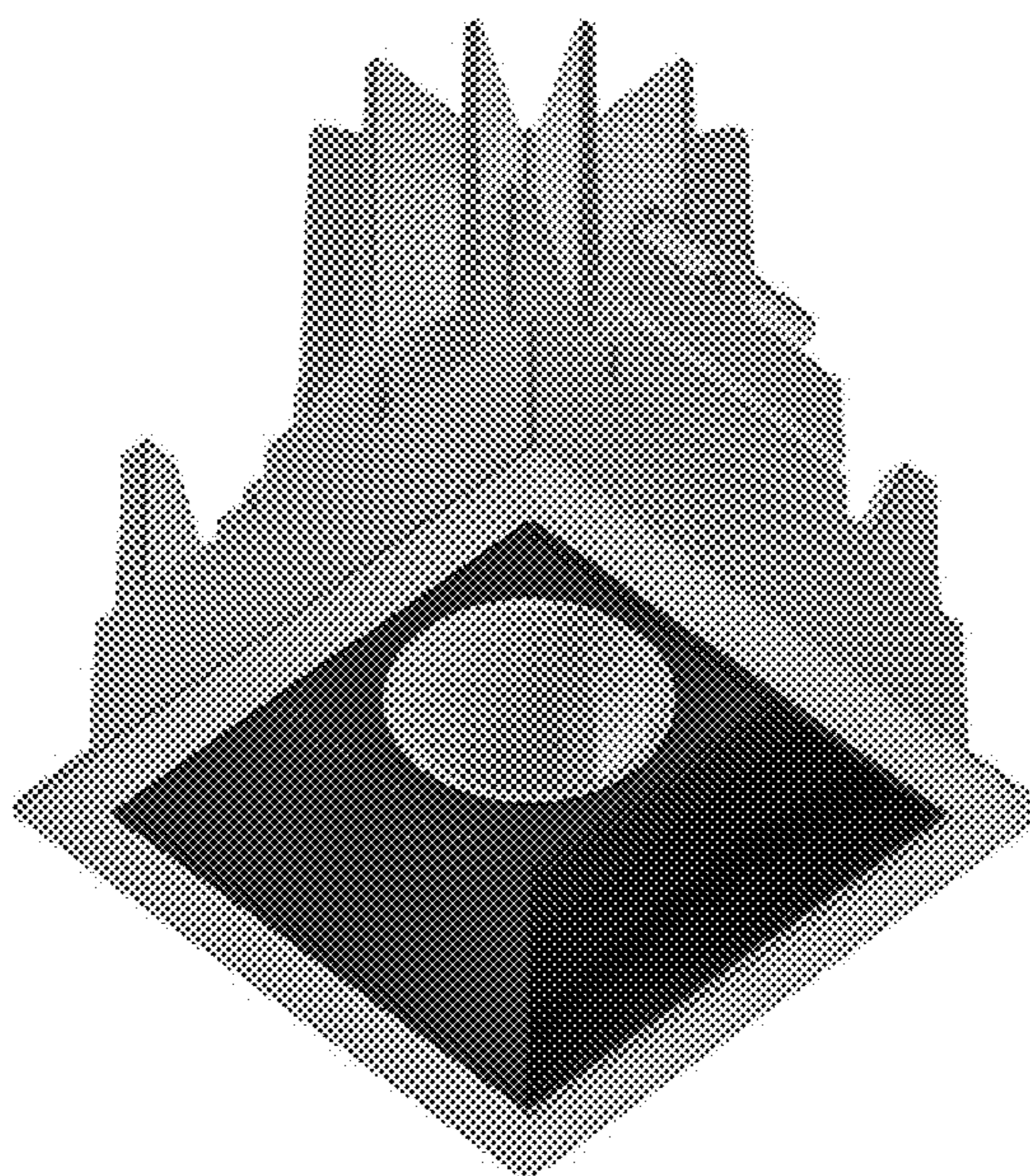
FIG. 1 is a front perspective view of the luminaire of the present invention showing my new design;
FIG. 2 is a front view thereof;
FIG. 3 is a right view thereof;
FIG. 4 is a left view thereof;
FIG. 5 is a back view thereof;
FIG. 6 is a top view thereof; and,
FIG. 7 is a bottom view thereof.

(56) **References Cited**

U.S. PATENT DOCUMENTS

D551,379 S * 9/2007 Maxik D26/74
D569,024 S * 5/2008 Redfern D26/74

1 Claim, 7 Drawing Sheets



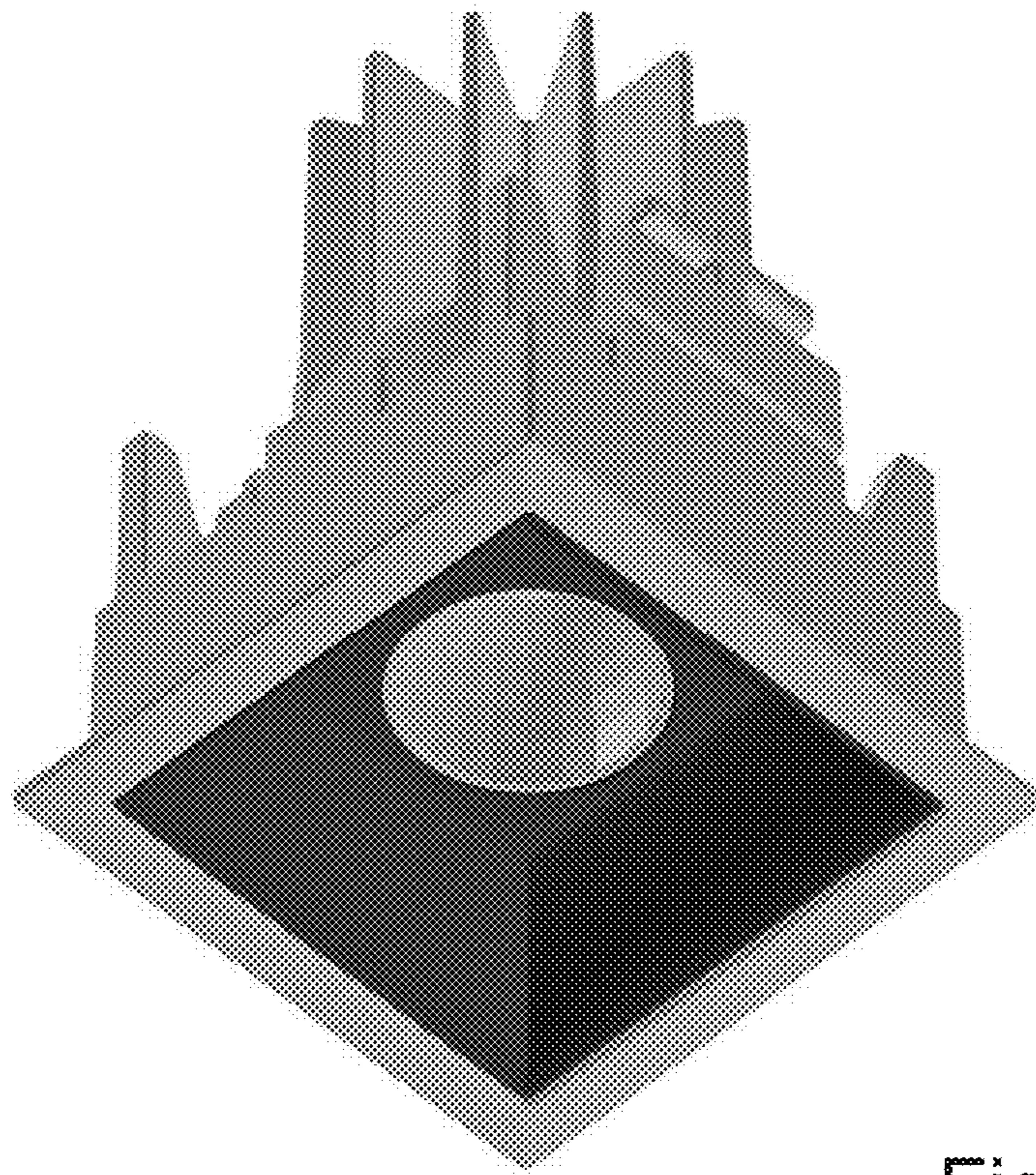


Fig. 1

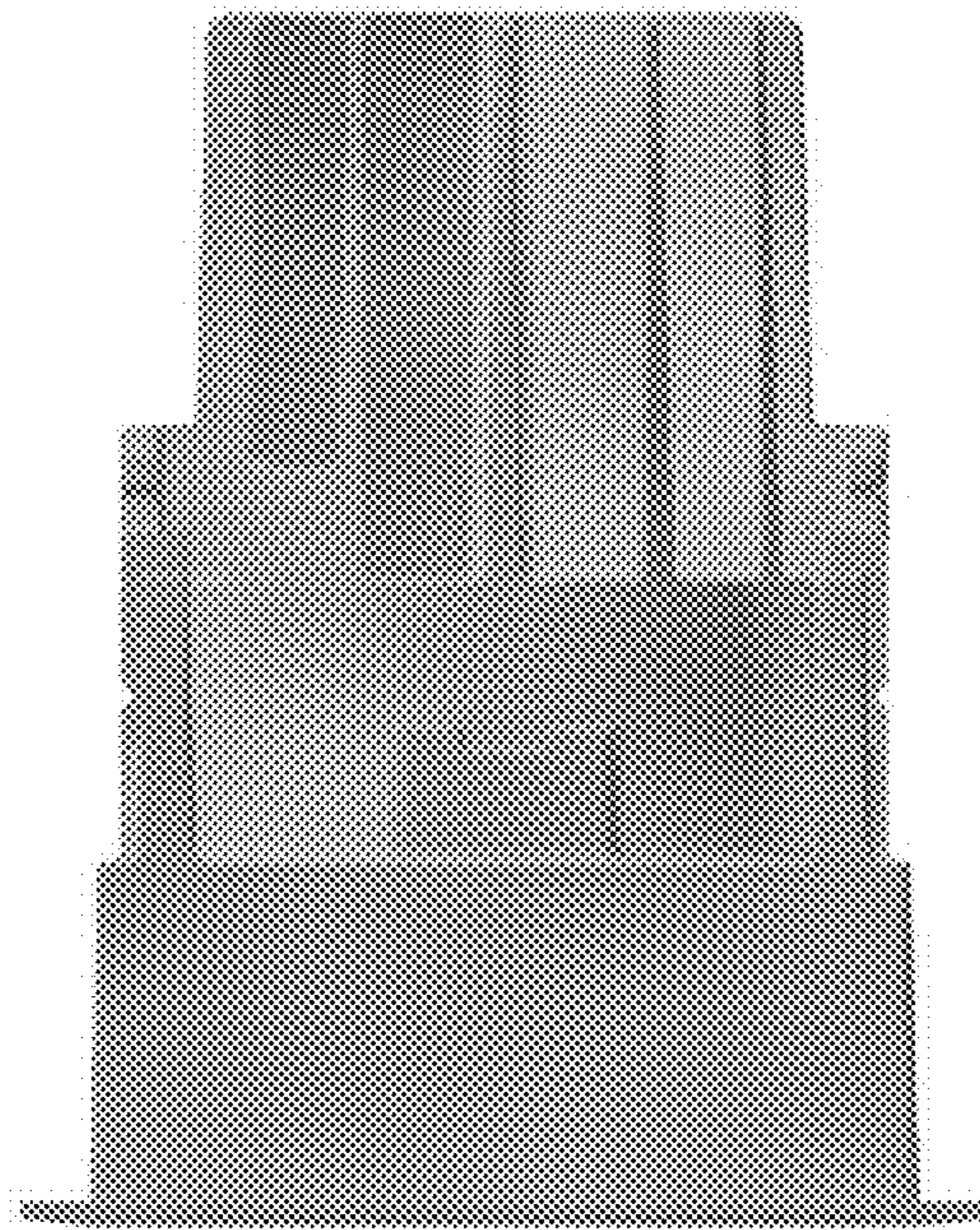


Fig. 2

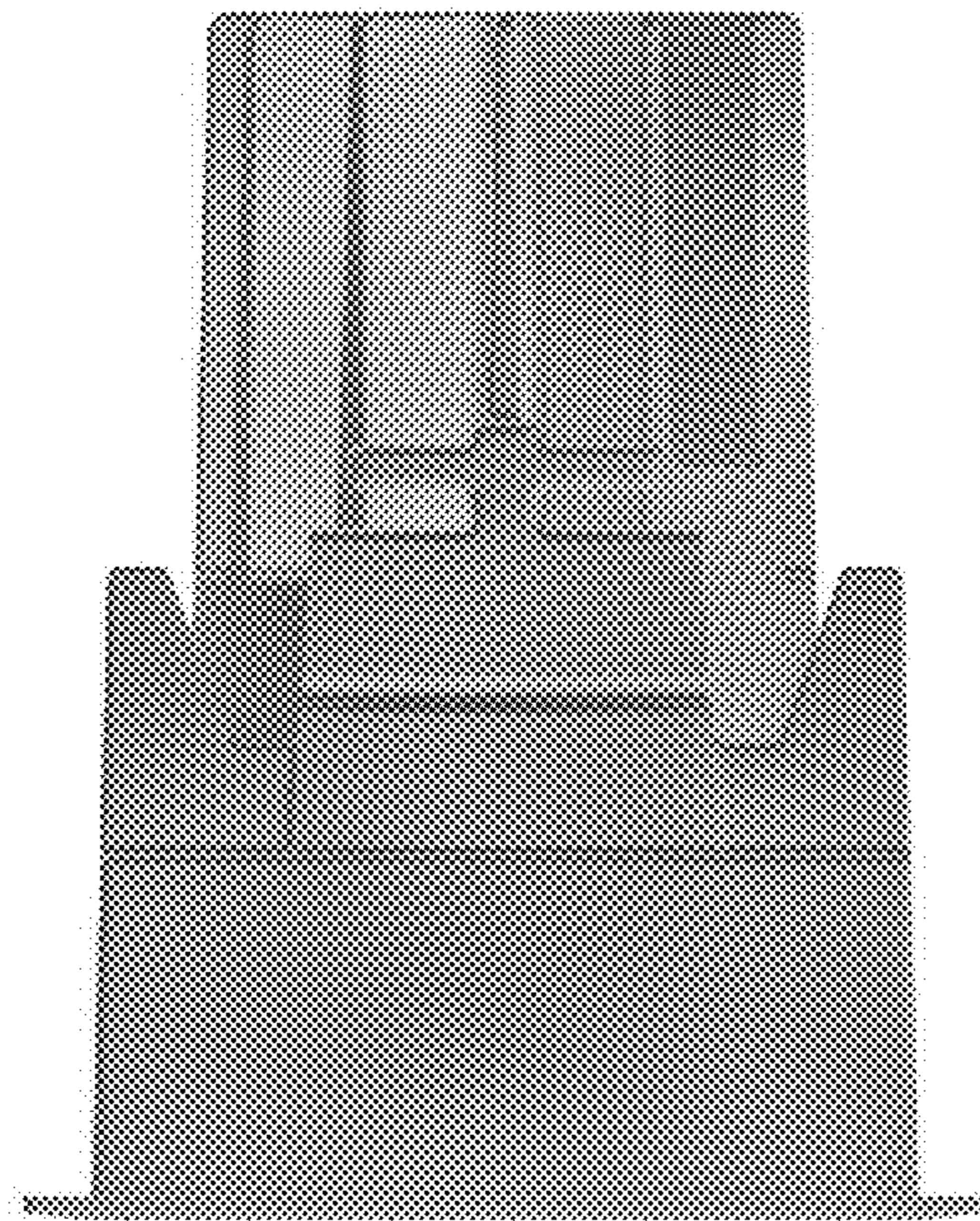


Fig. 3

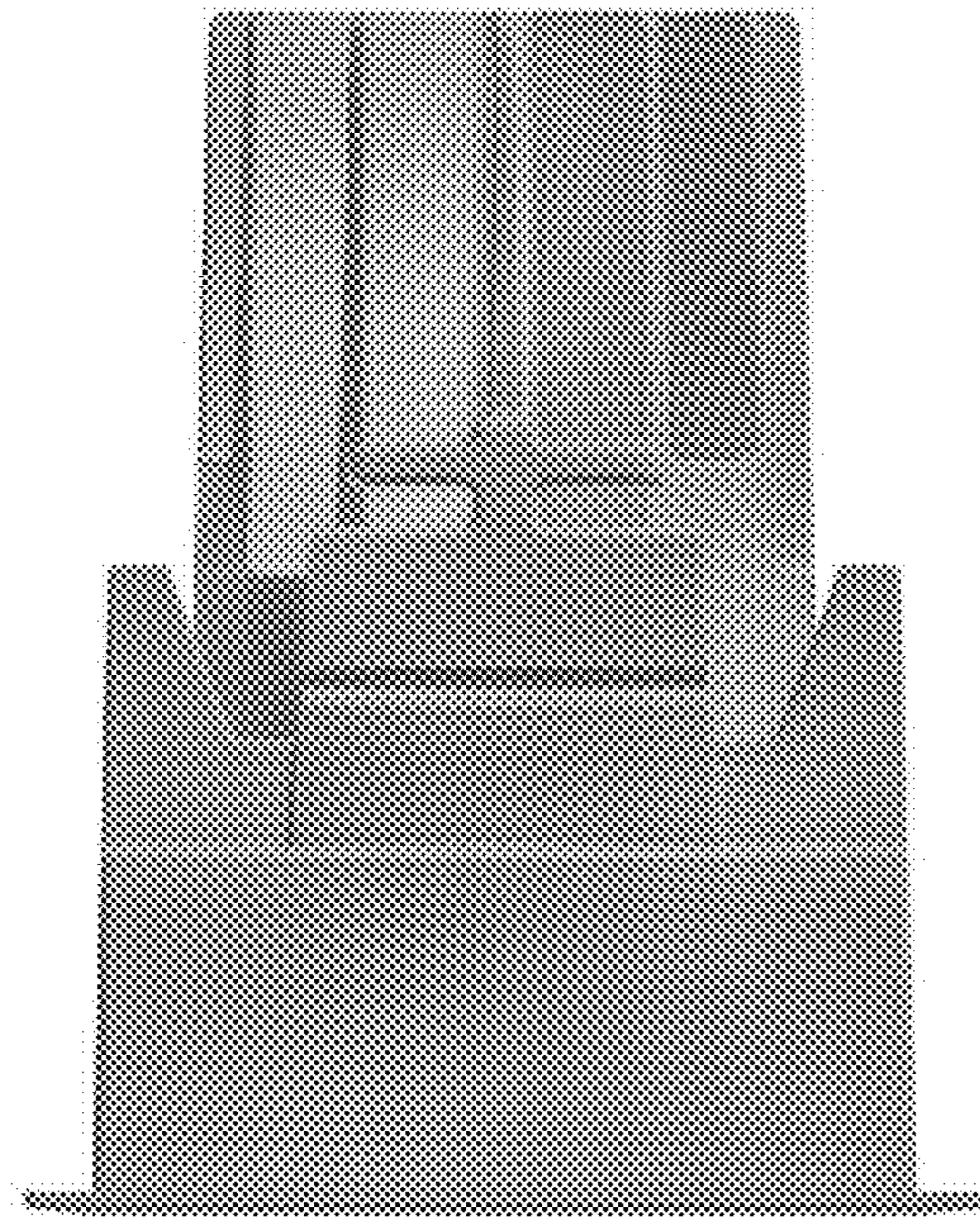


Fig. 4

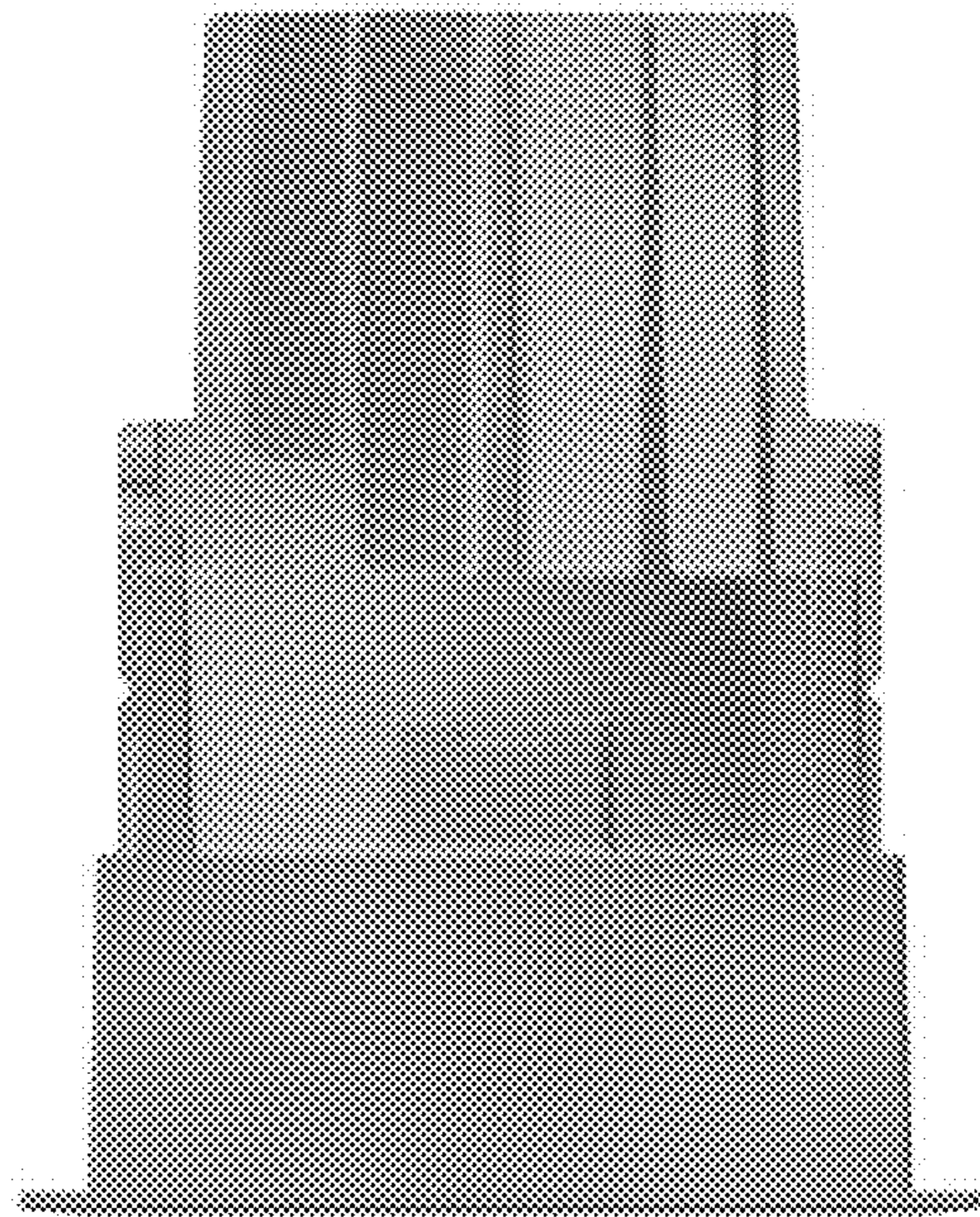


Fig. 5

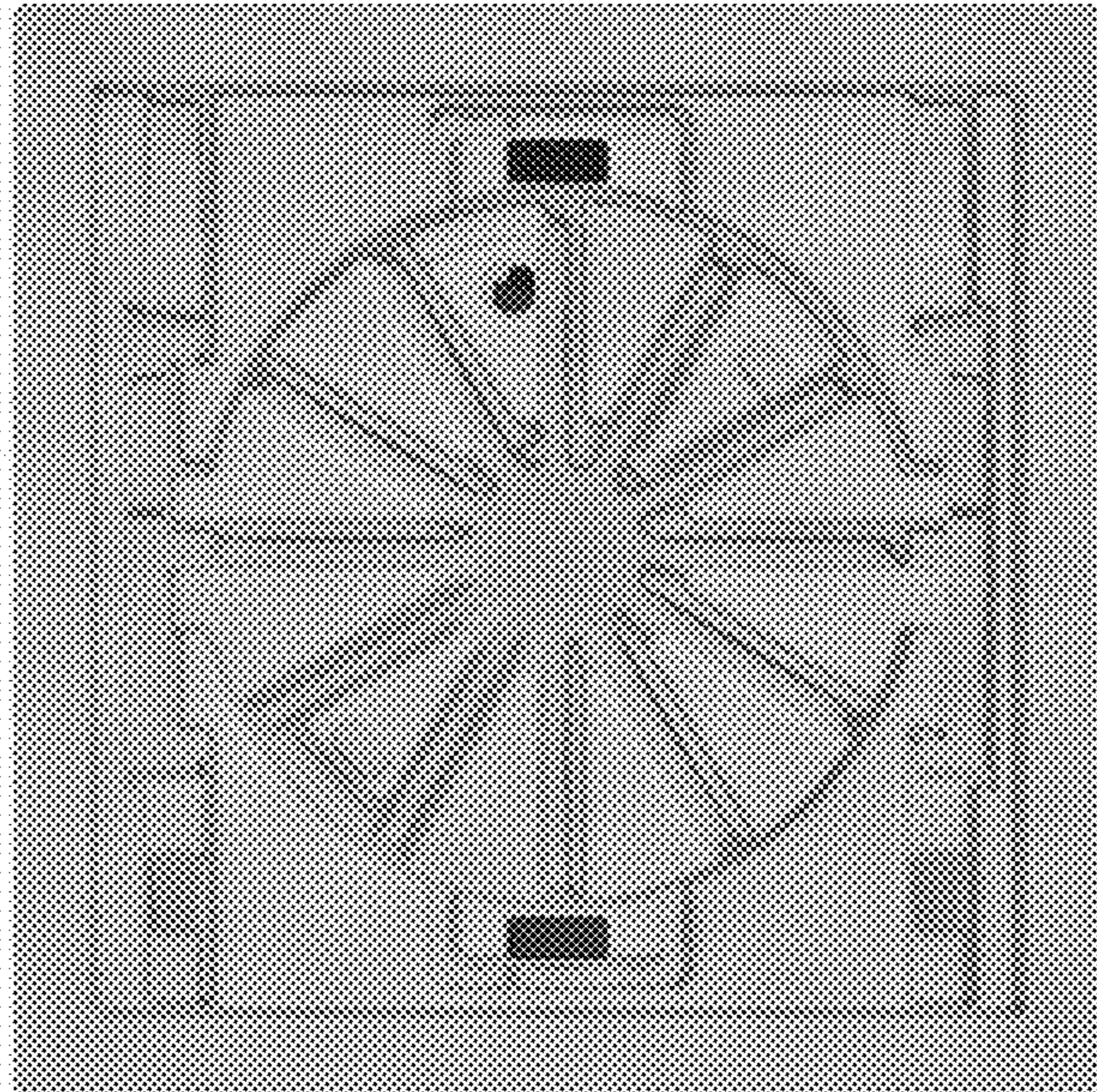


Fig. 6

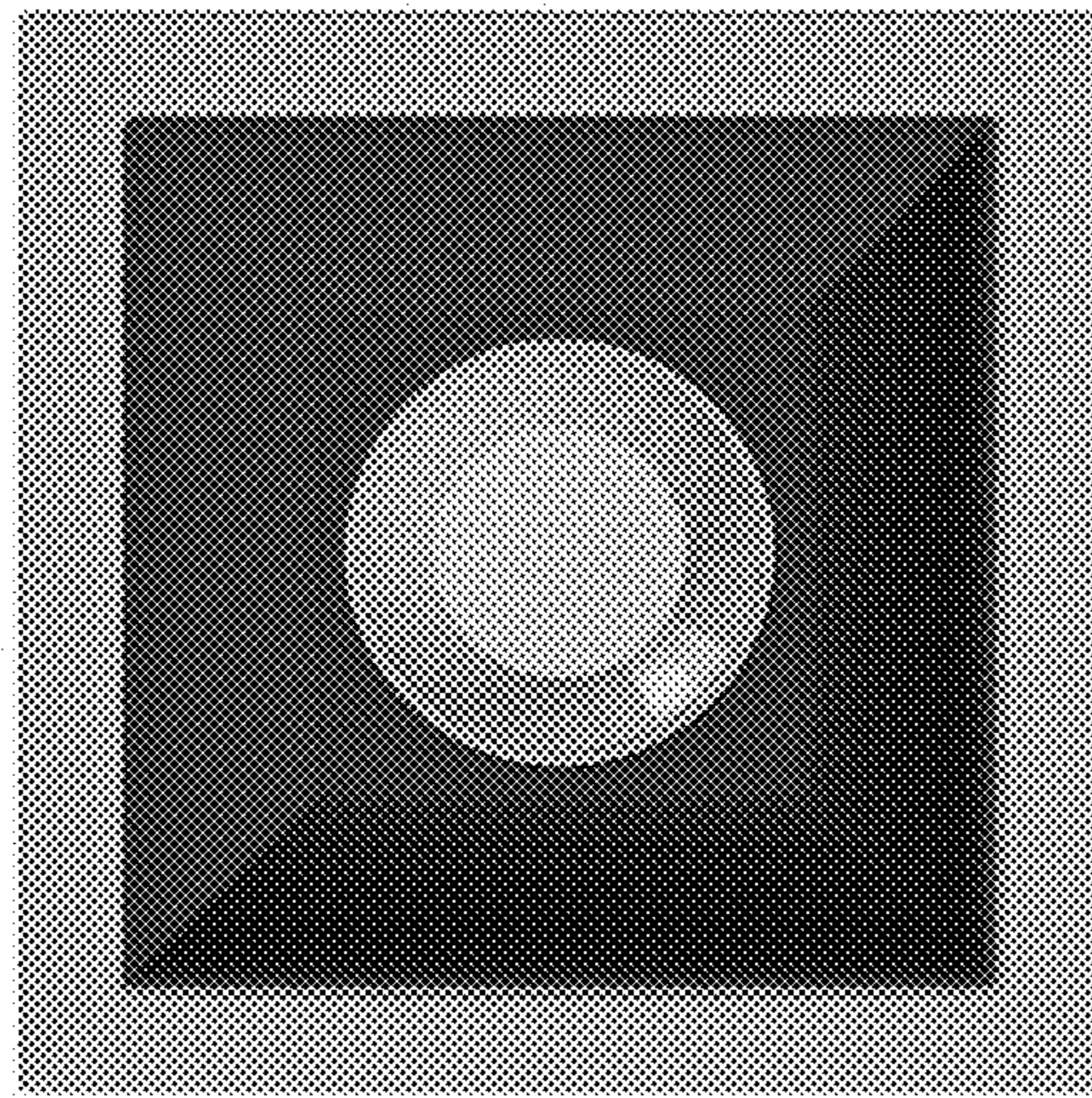


Fig. 7