



US00D785225S

(12) **United States Design Patent**  
**Gan**

(10) **Patent No.:** **US D785,225 S**

(45) **Date of Patent:** **\*\* Apr. 25, 2017**

(54) **LED LAMP**

(71) Applicant: **SNC OPTO ELECTRONIC CO., LTD**, Shenzhen (CN)

(72) Inventor: **Zhoucong Gan**, Shenzhen (CN)

(73) Assignee: **SNC OPTO ELECTRONICS CO., LTD**, Shenzhen (CN)

(\*\*) Term: **15 Years**

(21) Appl. No.: **29/555,801**

(22) Filed: **Feb. 25, 2016**

(51) **LOC (10) Cl.** ..... **26-05**

(52) **U.S. Cl.**  
USPC ..... **D26/72; D26/89**

(58) **Field of Classification Search**  
USPC ..... D26/24, 63, 72, 80, 84, 88, 89, 118, 152  
CPC .... F21S 8/04; F21S 8/026; F21S 8/033; F21S 8/036; F21S 8/03; F21S 8/043; F21S 8/046; F21S 8/06; F21S 8/061; F21S 8/063; F21S 8/068; F21S 13/02; F21V 21/04; F21V 17/02; F21V 17/04; F21V 17/164

See application file for complete search history.

(56) **References Cited**

**U.S. PATENT DOCUMENTS**

D221,181 S \* 7/1971 Bobrick ..... D26/85  
D514,732 S \* 2/2006 Benensohn ..... D26/89

D533,956 S \* 12/2006 Vladika ..... D26/118  
D551,379 S \* 9/2007 Maxik ..... D26/74  
D577,454 S \* 9/2008 Maxik ..... D26/63  
D624,686 S \* 9/2010 Toney, Jr. .... D26/72  
D667,587 S \* 9/2012 Wilcox ..... F21V 19/0055  
D26/89  
D703,861 S \* 4/2014 Holland ..... D26/89  
D747,534 S \* 1/2016 Guercio ..... D26/89  
D751,748 S \* 3/2016 Guercio ..... D26/89  
9,513,424 B2 \* 12/2016 Castillo ..... F21V 5/00  
2011/0026249 A1 \* 2/2011 Wylde ..... F21S 8/086  
362/240  
2011/0110081 A1 \* 5/2011 Belknap ..... F21V 5/02  
362/235

\* cited by examiner

*Primary Examiner* — Clare E Heflin

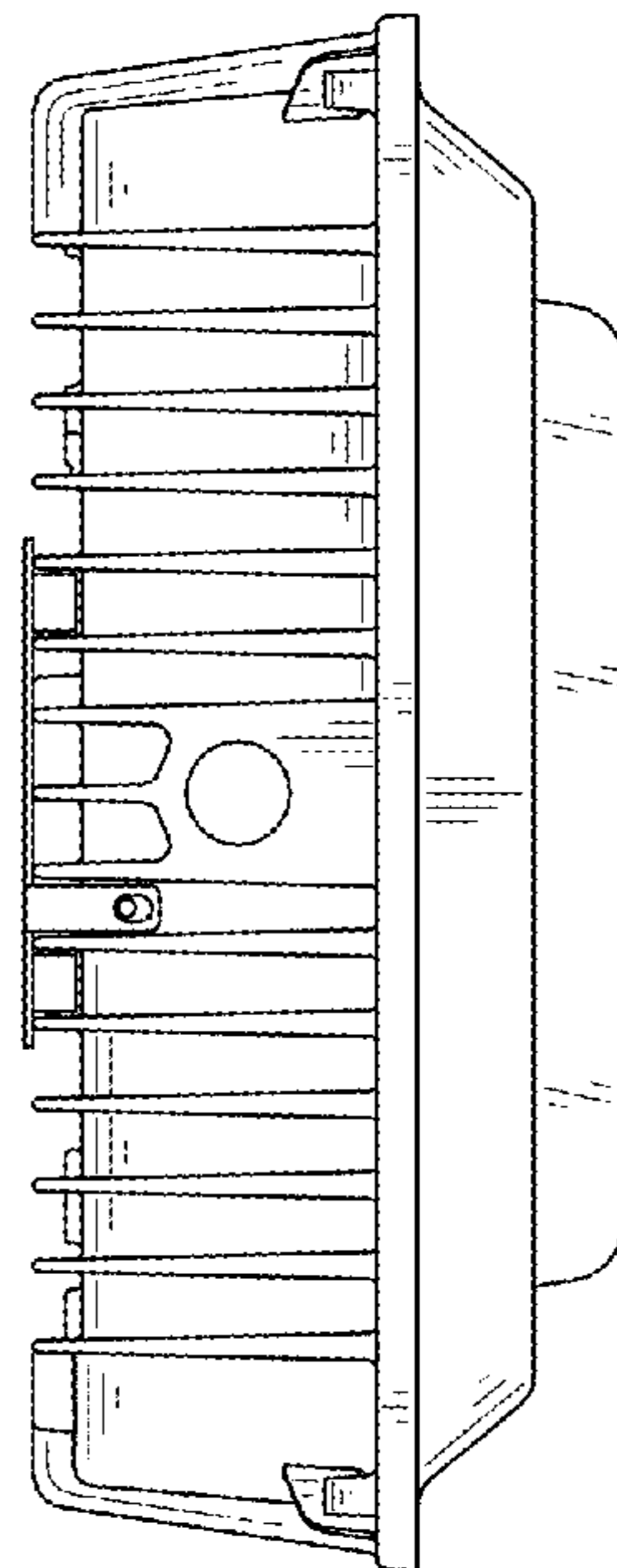
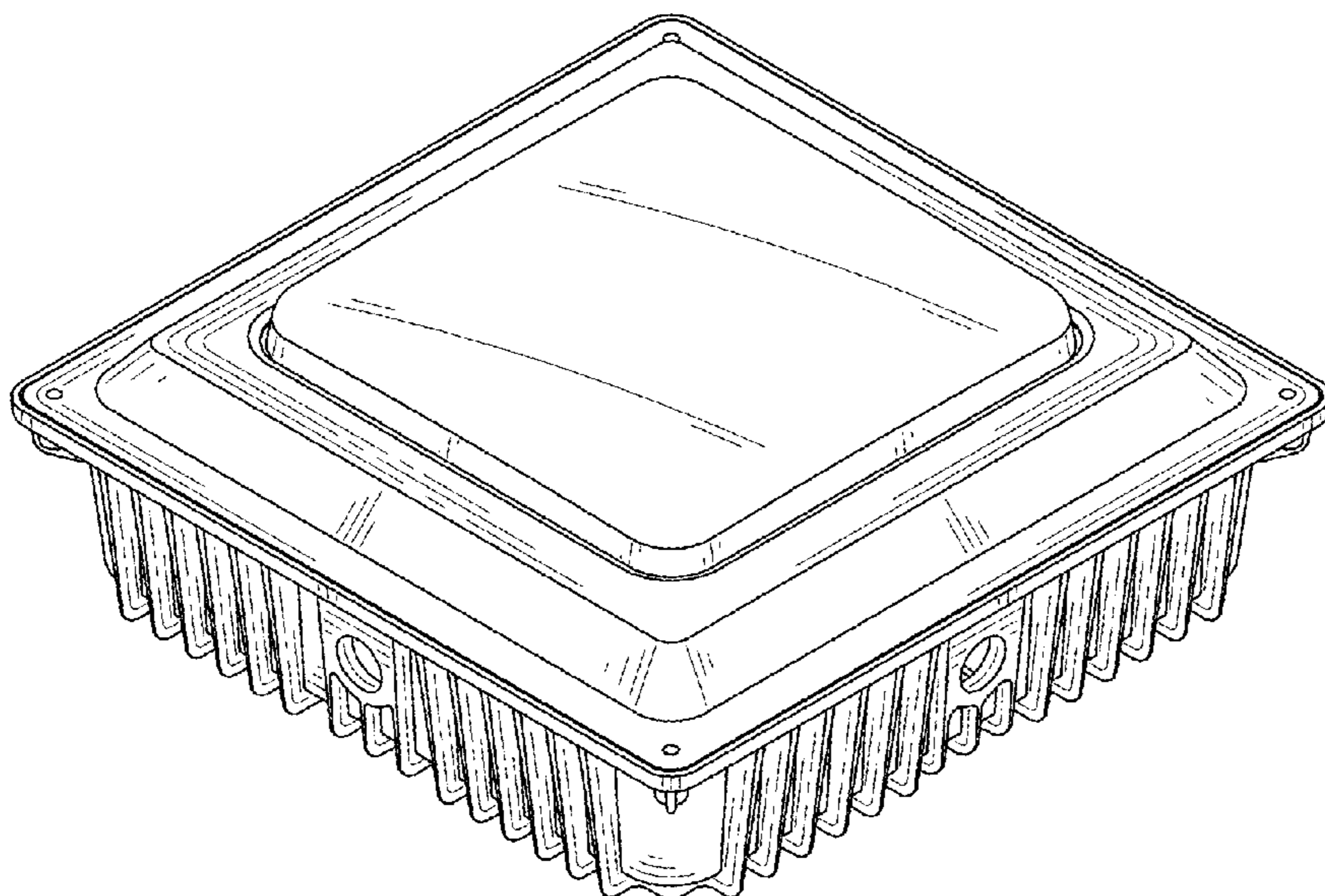
(57) **CLAIM**

The ornamental design for an LED lamp, as shown and described.

**DESCRIPTION**

FIG. 1 is a perspective view of the LED lamp of my new design;  
FIG. 2 is a front elevational view thereof;  
FIG. 3 is a rear elevational view thereof;  
FIG. 4 is a left side elevational view thereof;  
FIG. 5 is a right side elevational view thereof;  
FIG. 6 is a top plan view thereof; and,  
FIG. 7 is a bottom plan view thereof.

**1 Claim, 7 Drawing Sheets**



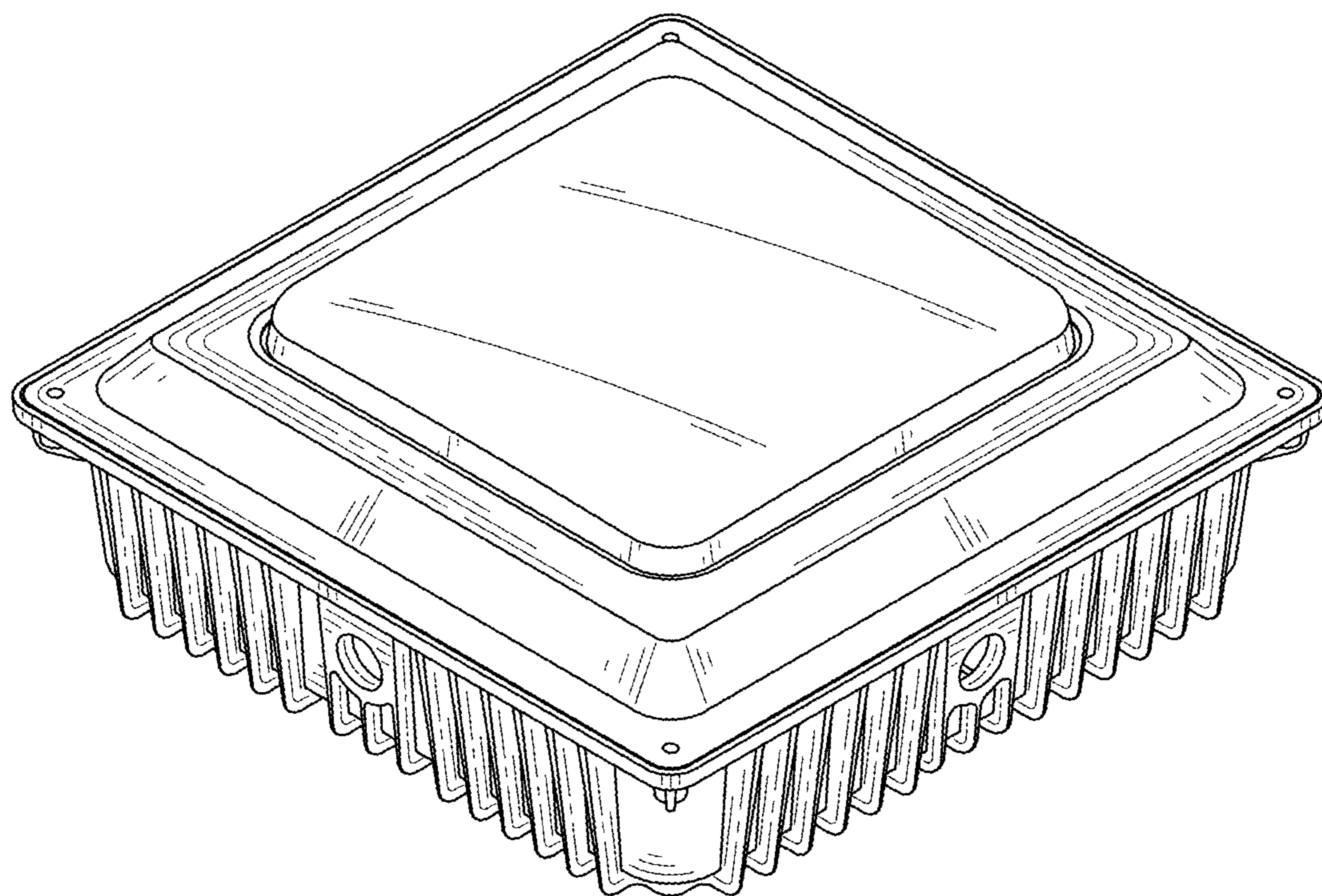


FIG. 1

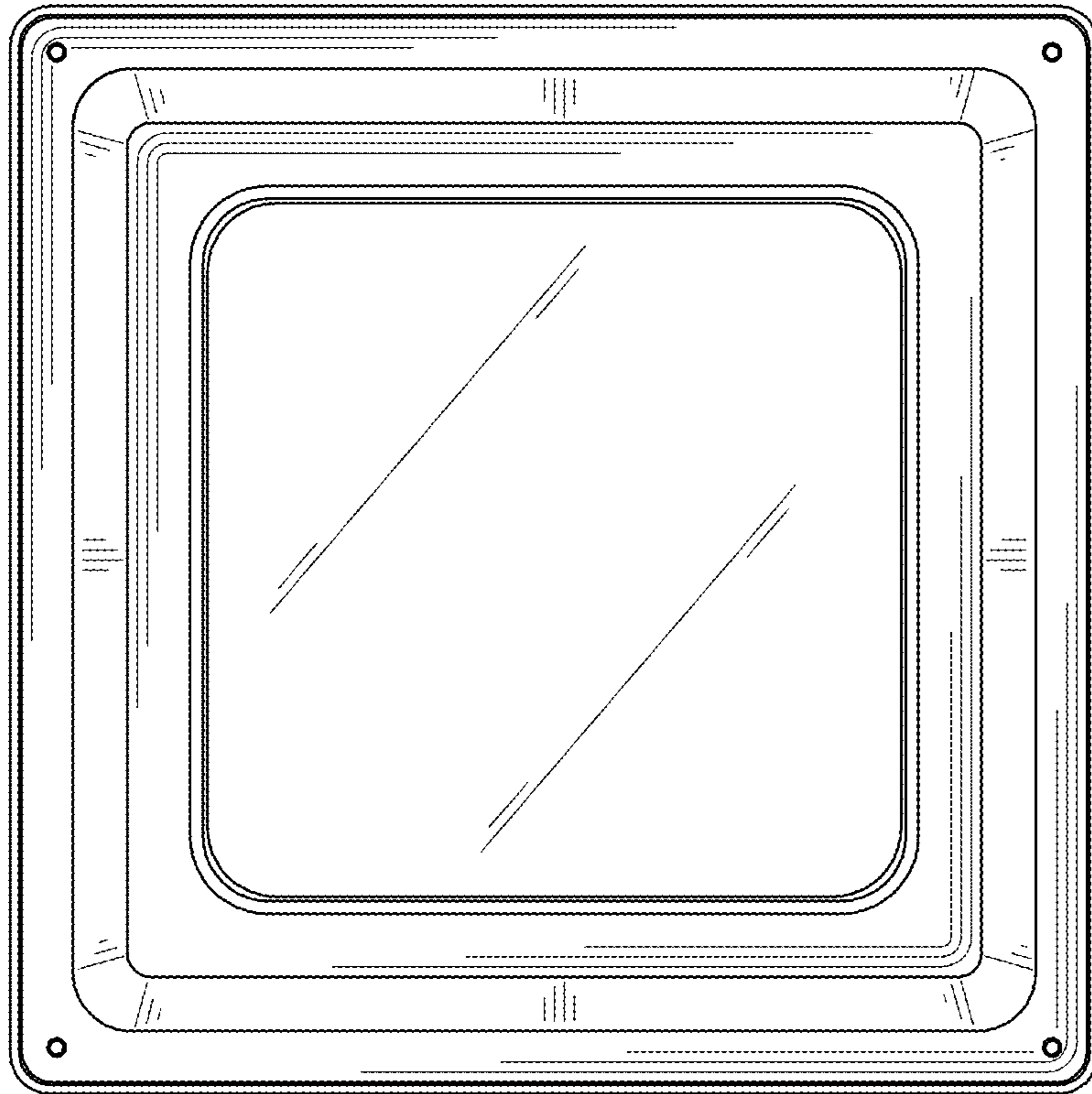


FIG. 2

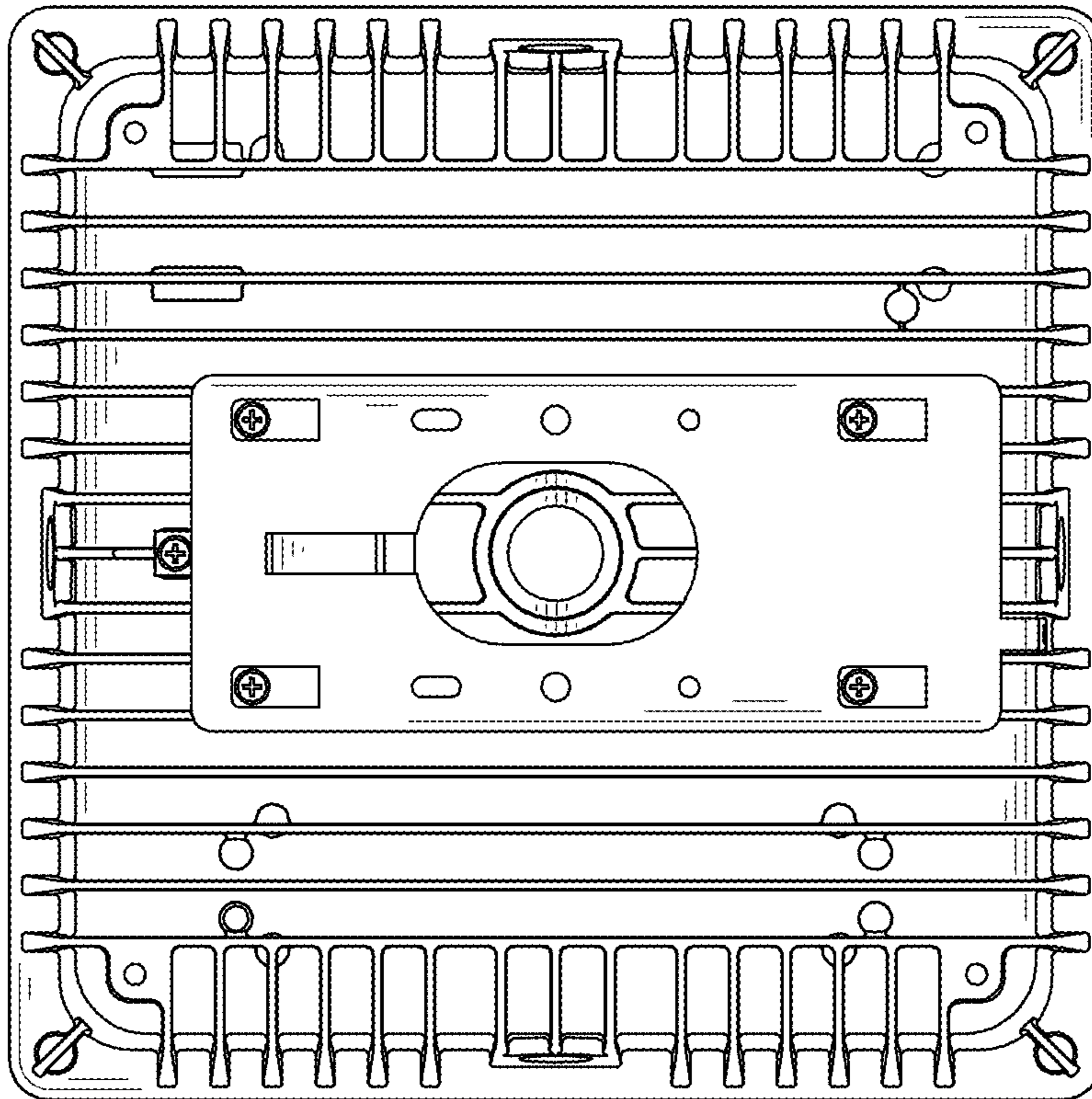


FIG. 3

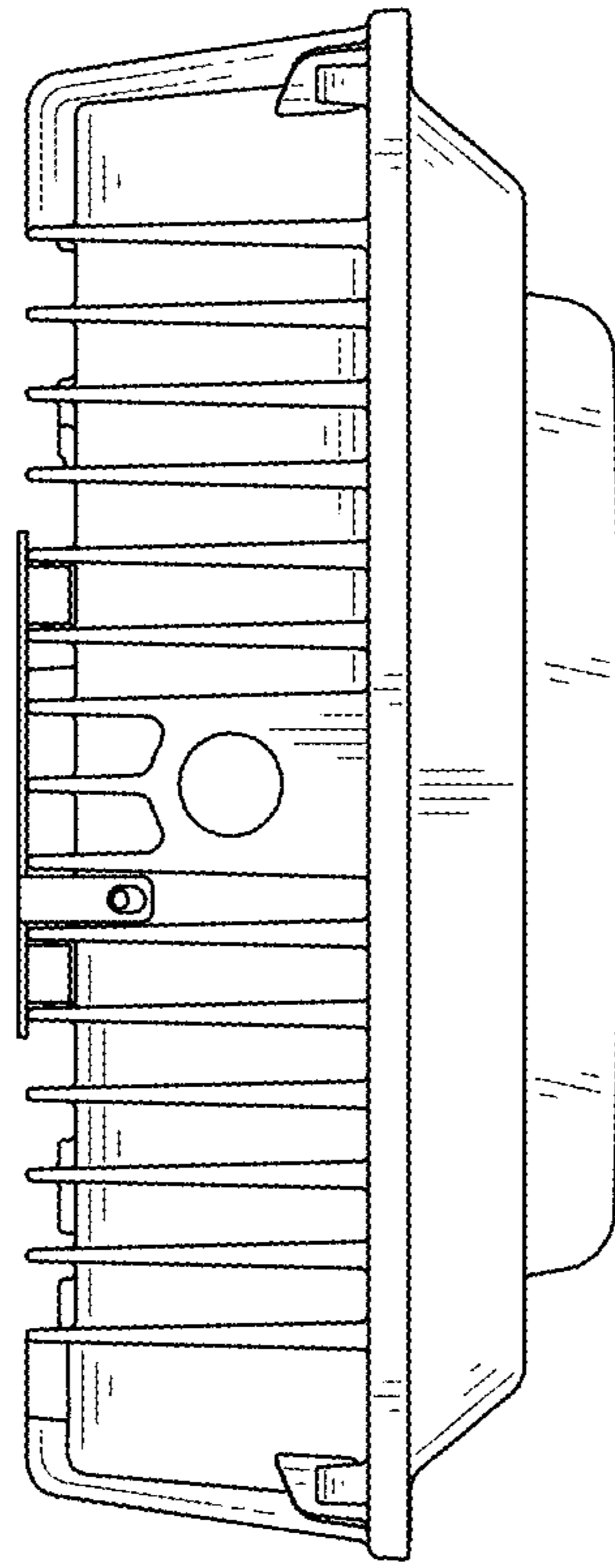


FIG. 4

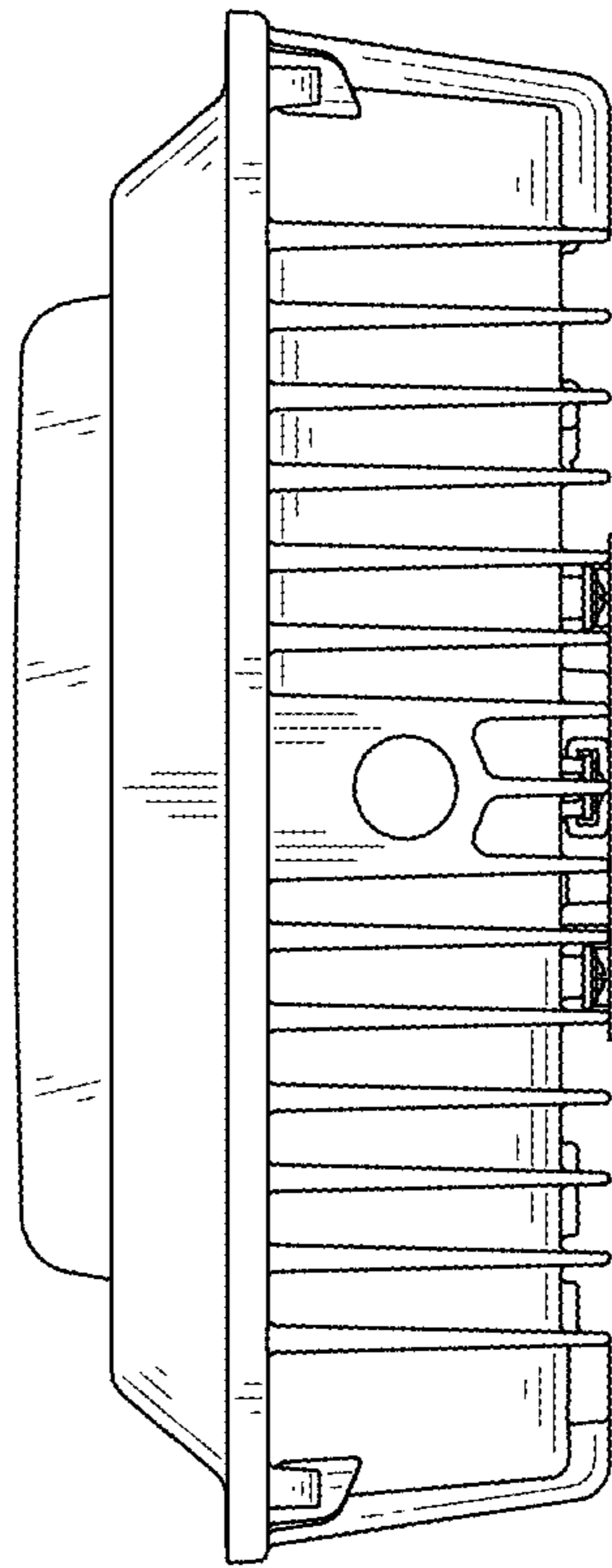


FIG. 5

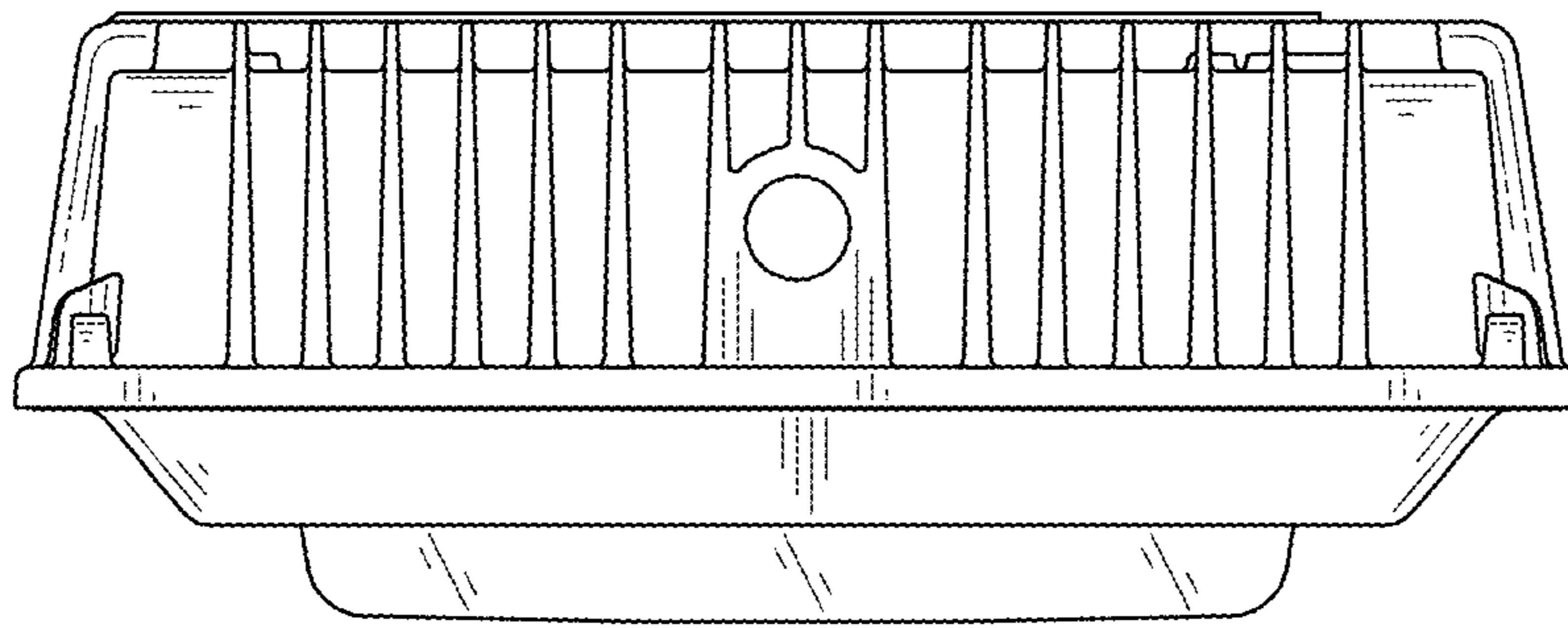


FIG. 6

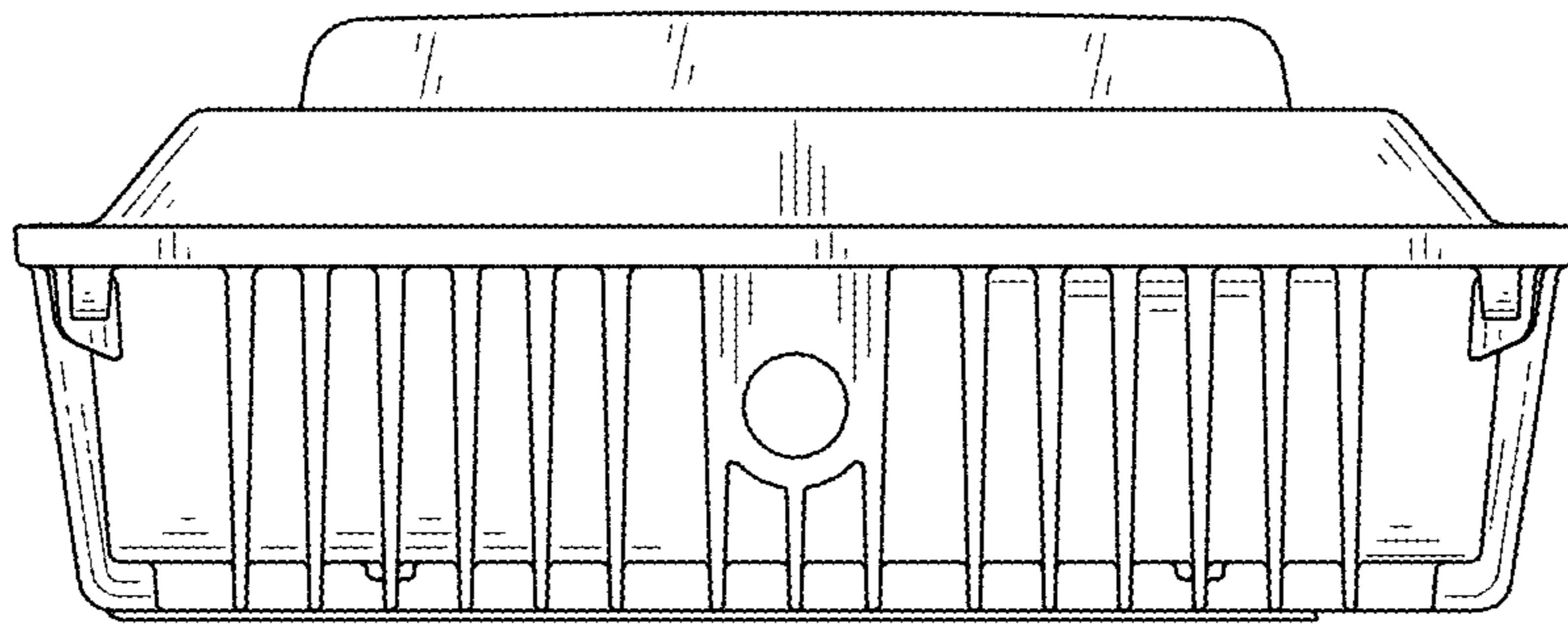


FIG. 7