



US00D785224S

(12) **United States Design Patent**
Tsai

(10) **Patent No.:** **US D785,224 S**
(45) **Date of Patent:** **** Apr. 25, 2017**

(54) **SOLAR LASER LIGHT**

(71) Applicant: **KE M.O. HOUSE CO., LTD.**,
Shenzhen (CN)

(72) Inventor: **Mo-Tsan Tsai**, Guangdong (CN)

(73) Assignee: **KE M.O. HOUSE CO., LTD.**,
Shenzhen (CN)

(**) Term: **15 Years**

(21) Appl. No.: **29/531,728**

(22) Filed: **Jun. 29, 2015**

(30) **Foreign Application Priority Data**

Apr. 20, 2015 (CN) 2015 3 0105946

(51) **LOC (10) Cl.** **26-05**

(52) **U.S. Cl.**
USPC **D26/68**

(58) **Field of Classification Search**

USPC D26/60, 63, 67-71
CPC F21V 3/0445; F21V 21/32; F21V 21/0824;
F21S 6/005; F21S 6/0032; F21S 8/081;
F21S 8/083; F21S 8/085; F21S 8/088;
F21S 9/03; F21S 9/035; F21S 9/037;
F21W 2131/103; F21W 2131/109
See application file for complete search history.

(56) **References Cited**

U.S. PATENT DOCUMENTS

D360,965 S * 8/1995 Cullen D26/63
D417,519 S * 12/1999 Cutler D26/63
D533,298 S * 12/2006 Kuelbs D13/102
D542,959 S * 5/2007 Yao D26/63

D638,159 S * 5/2011 Yao D26/63
D647,234 S * 10/2011 Izardel D26/65
D659,871 S * 5/2012 Lee D26/63
D667,981 S * 9/2012 Connolly D26/63
D735,923 S * 8/2015 Helms D26/63
2004/0119951 A1* 6/2004 Vitantonio F16M 11/10
353/119
2005/0103378 A1* 5/2005 Pu F21S 9/032
136/244
2007/0084500 A1* 4/2007 Chen F16M 11/14
136/244
2010/0265715 A1* 10/2010 Winstanley F21S 2/00
362/277

* cited by examiner

Primary Examiner — Clare E Heflin

(74) *Attorney, Agent, or Firm* — Shimokaji IP

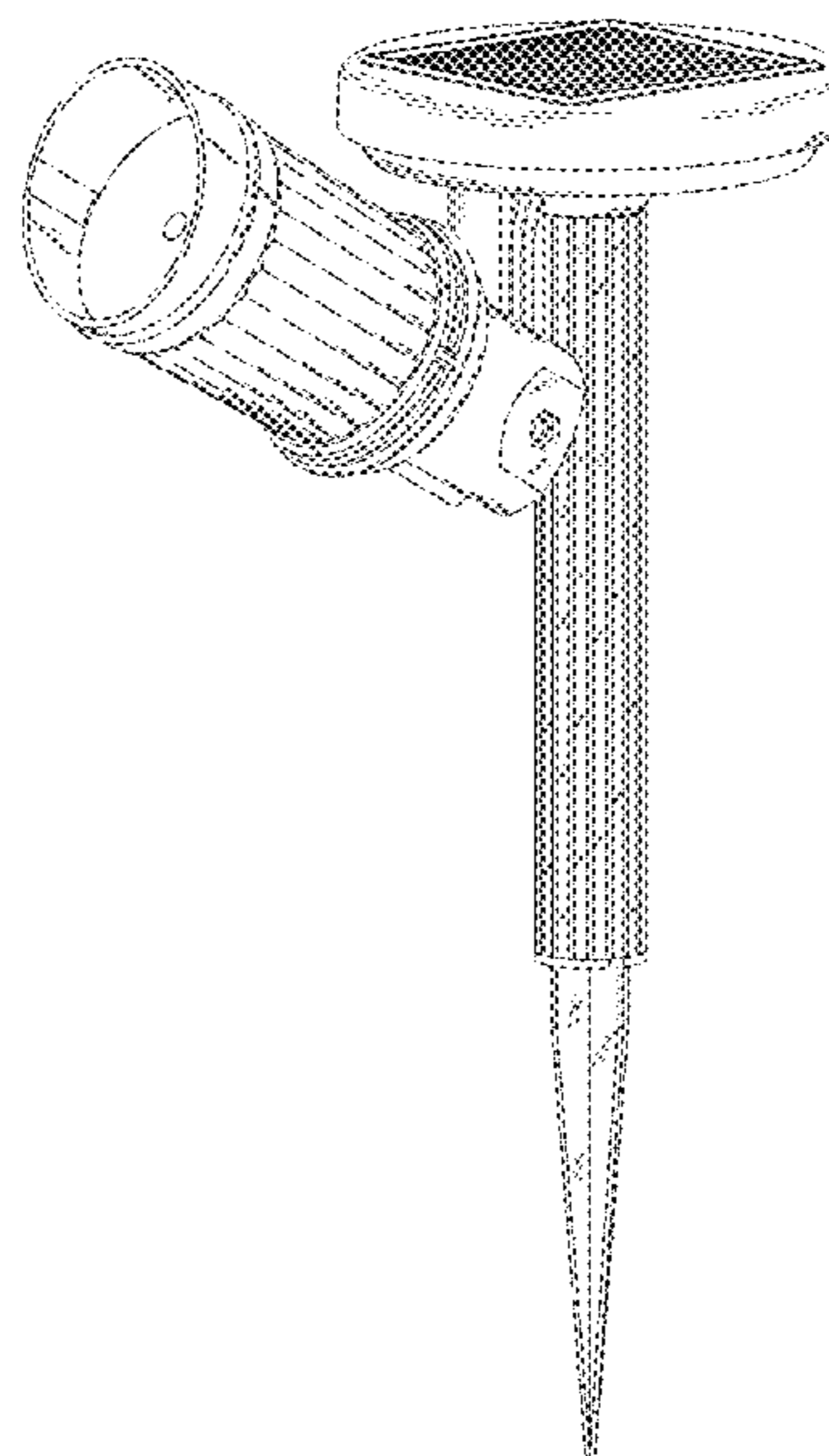
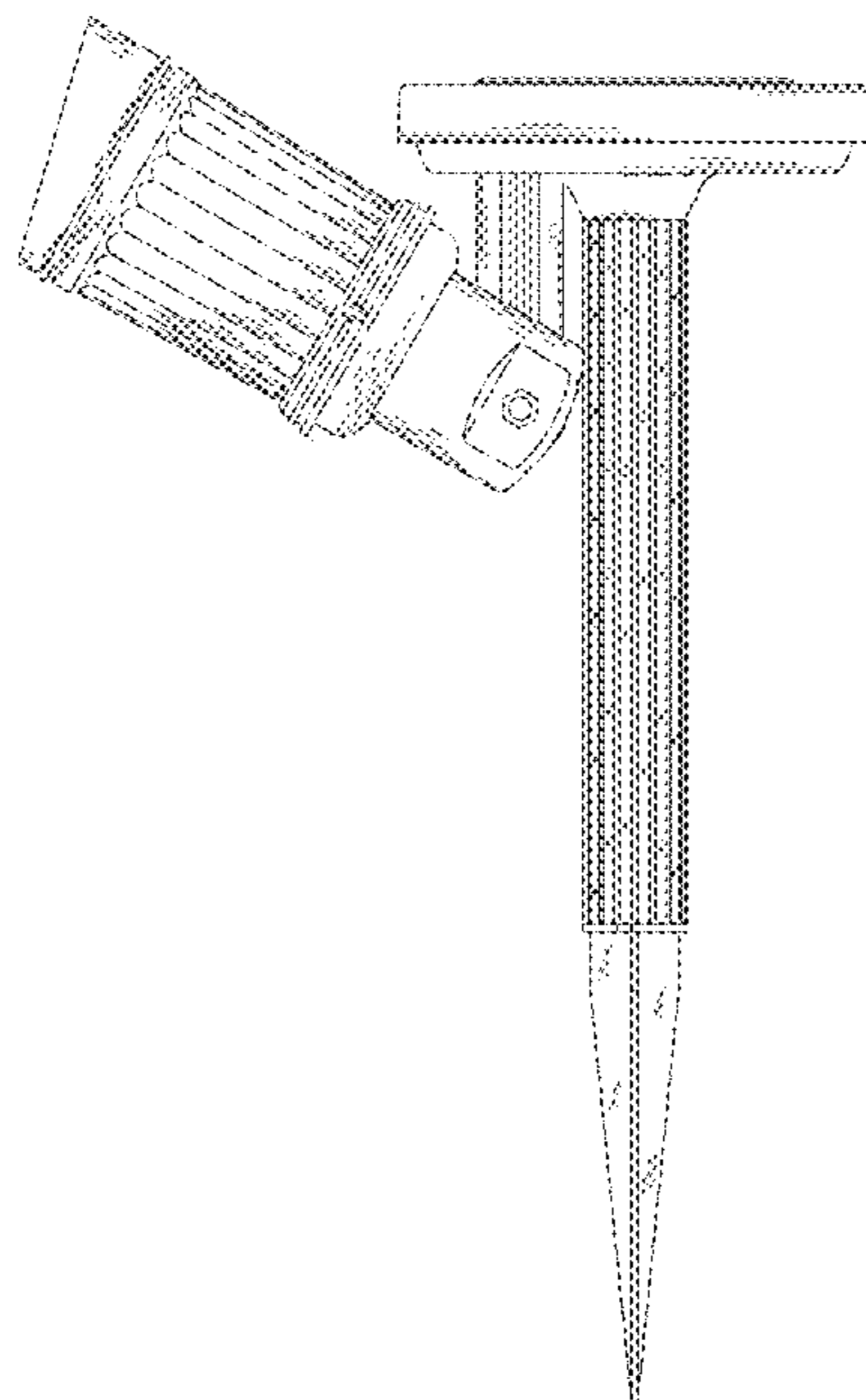
(57) **CLAIM**

The ornamental design for a solar laser light, as shown and described.

DESCRIPTION

FIG. 1 is a front elevational view of a solar laser light showing my new design;
FIG. 2 is a rear elevational view thereof;
FIG. 3 is a left side elevational view thereof;
FIG. 4 is a right side elevational view thereof;
FIG. 5 is a top plan view thereof;
FIG. 6 is a bottom plan view thereof;
FIG. 7 is a perspective view of the front, top and right side thereof;
FIG. 8 is a perspective view of the front and left side thereof;
FIG. 9 is a perspective view of the rear, left and bottom side thereof; and,
FIG. 10 is a perspective view of the rear and right side.

1 Claim, 10 Drawing Sheets



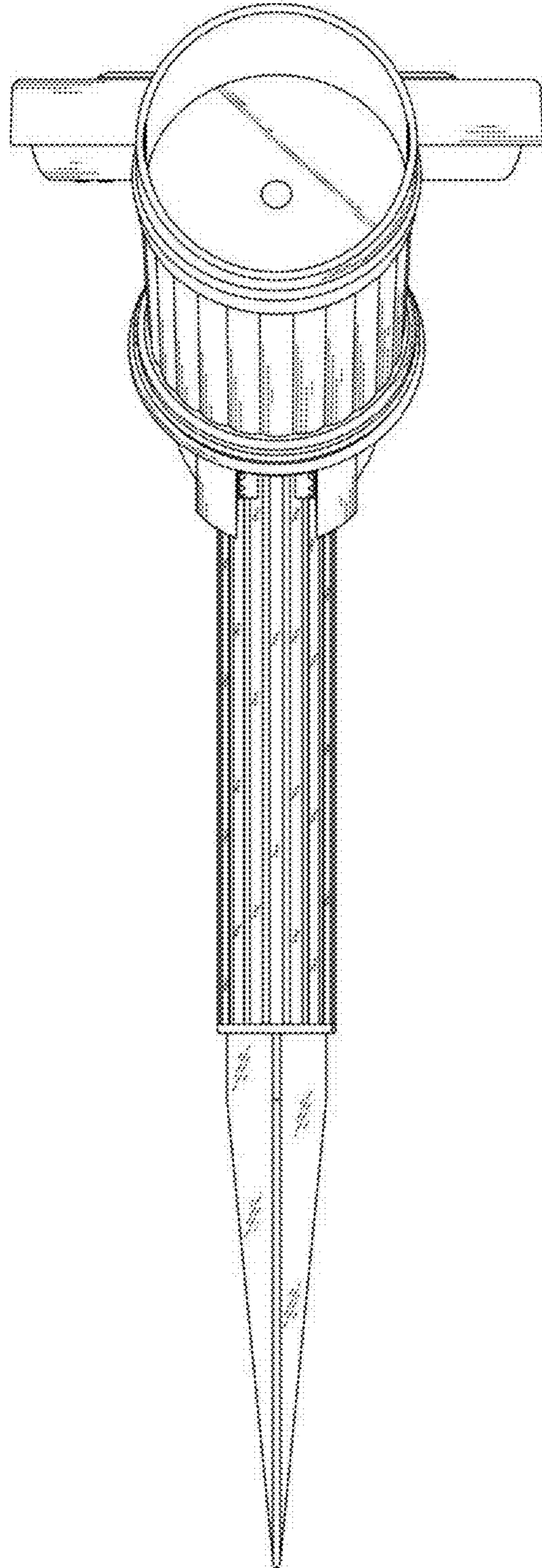


FIG. 1

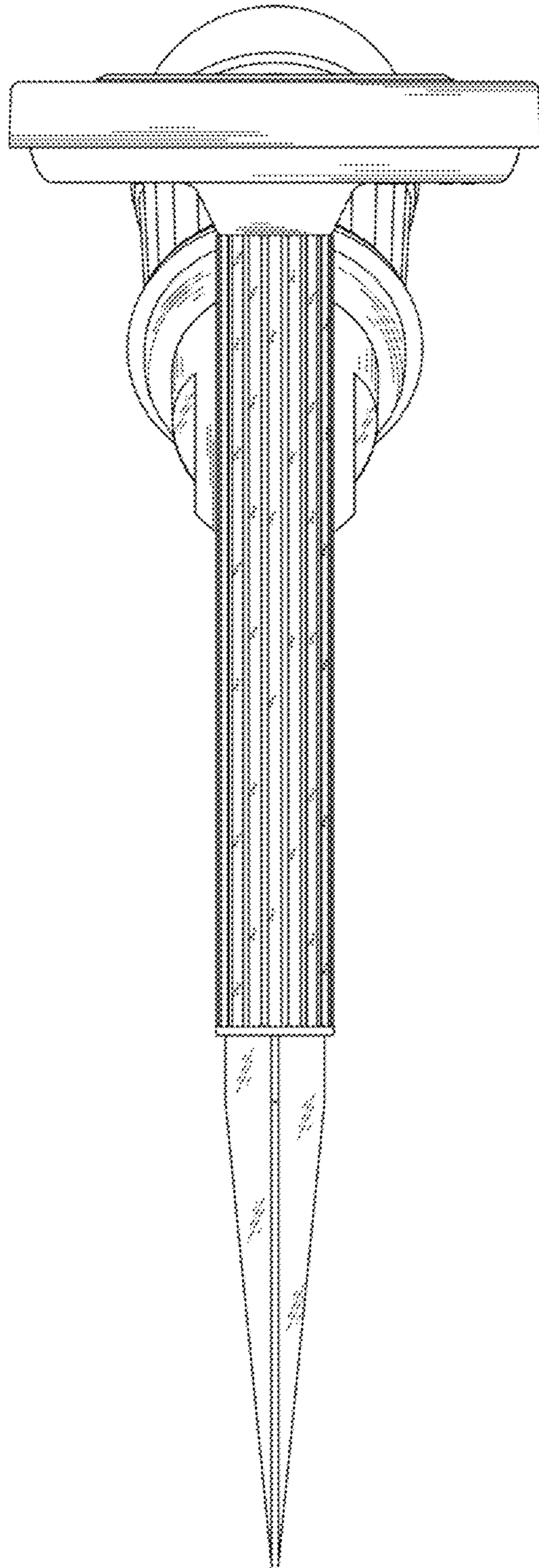


FIG. 2

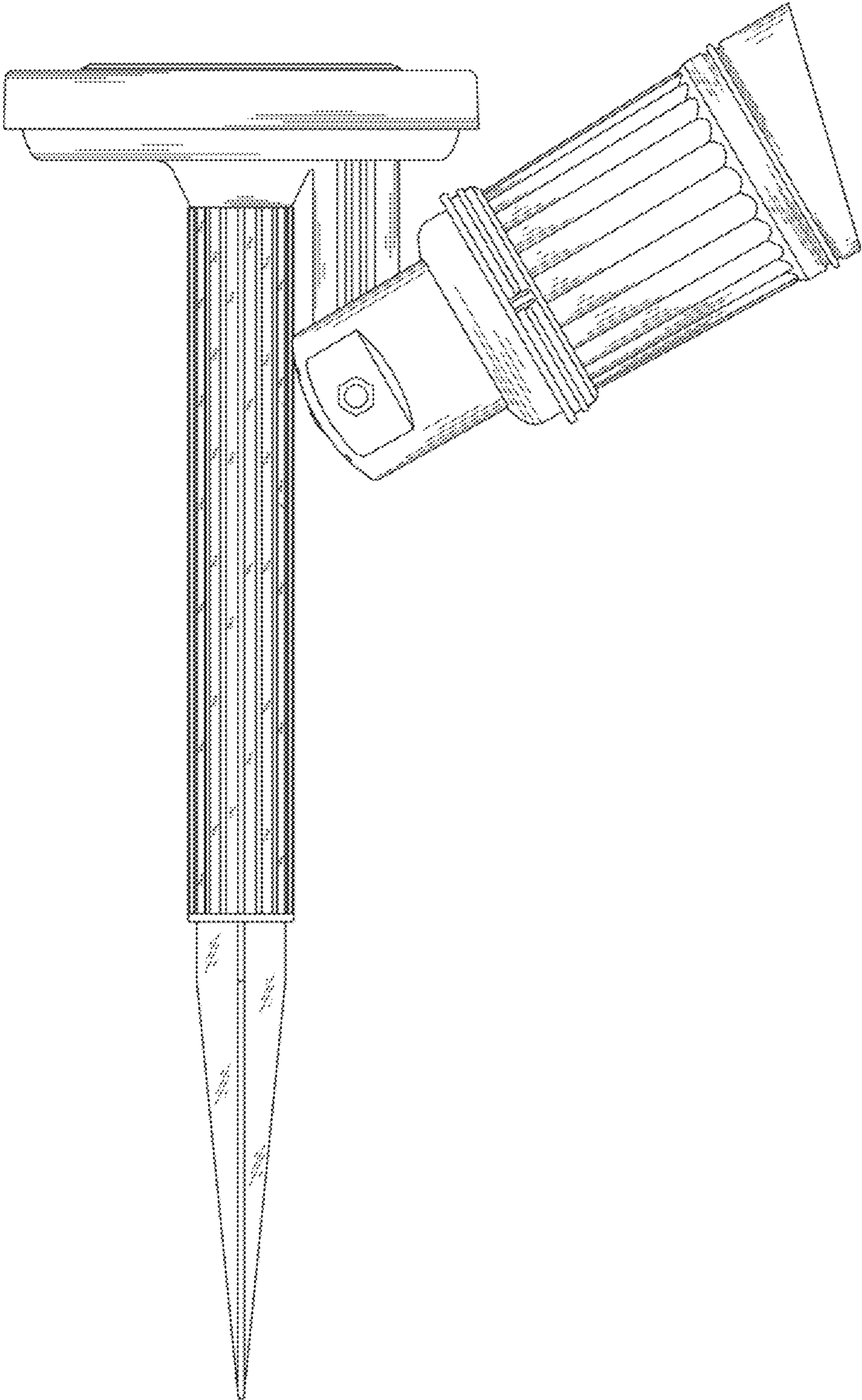


FIG.3

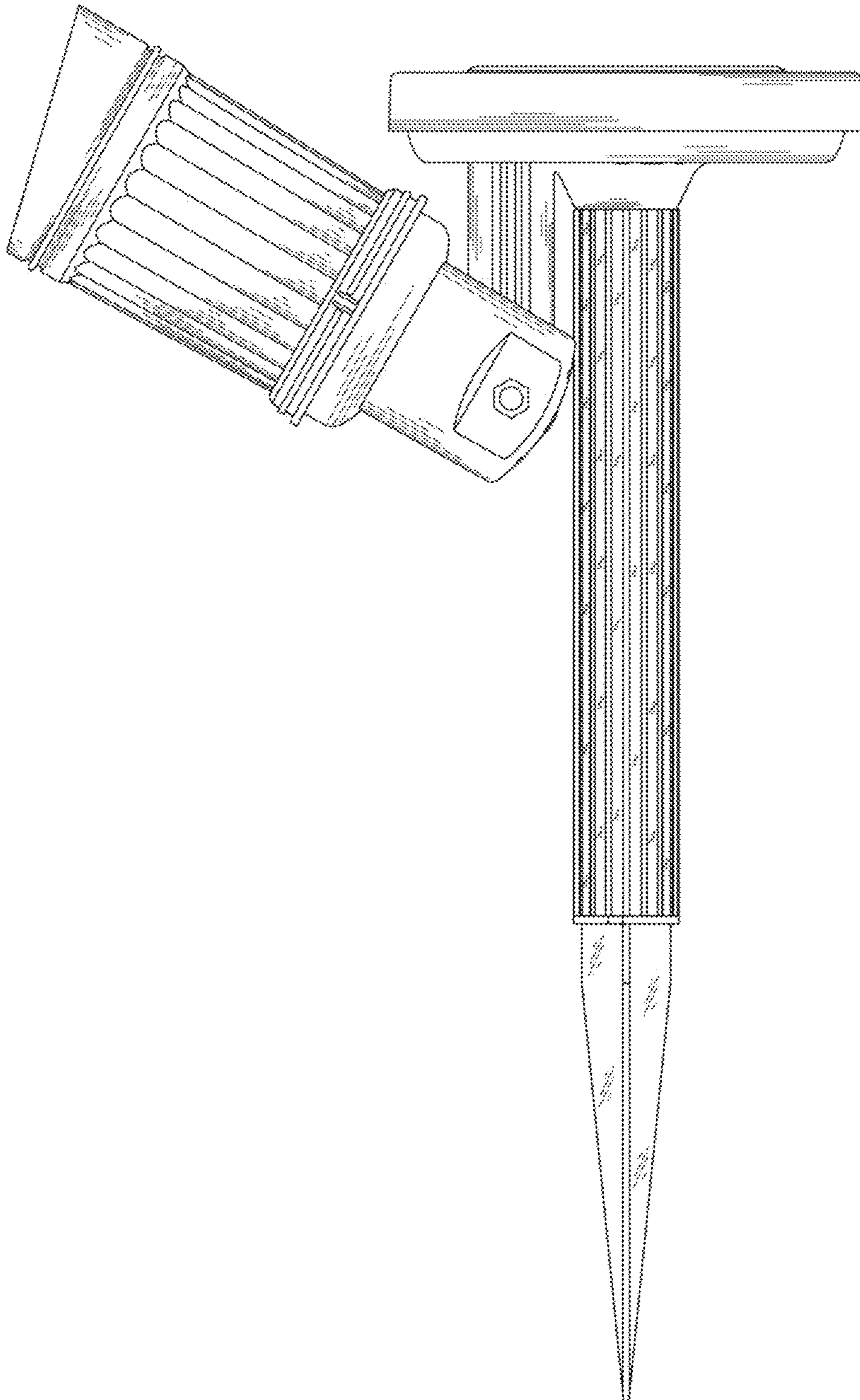


FIG.4

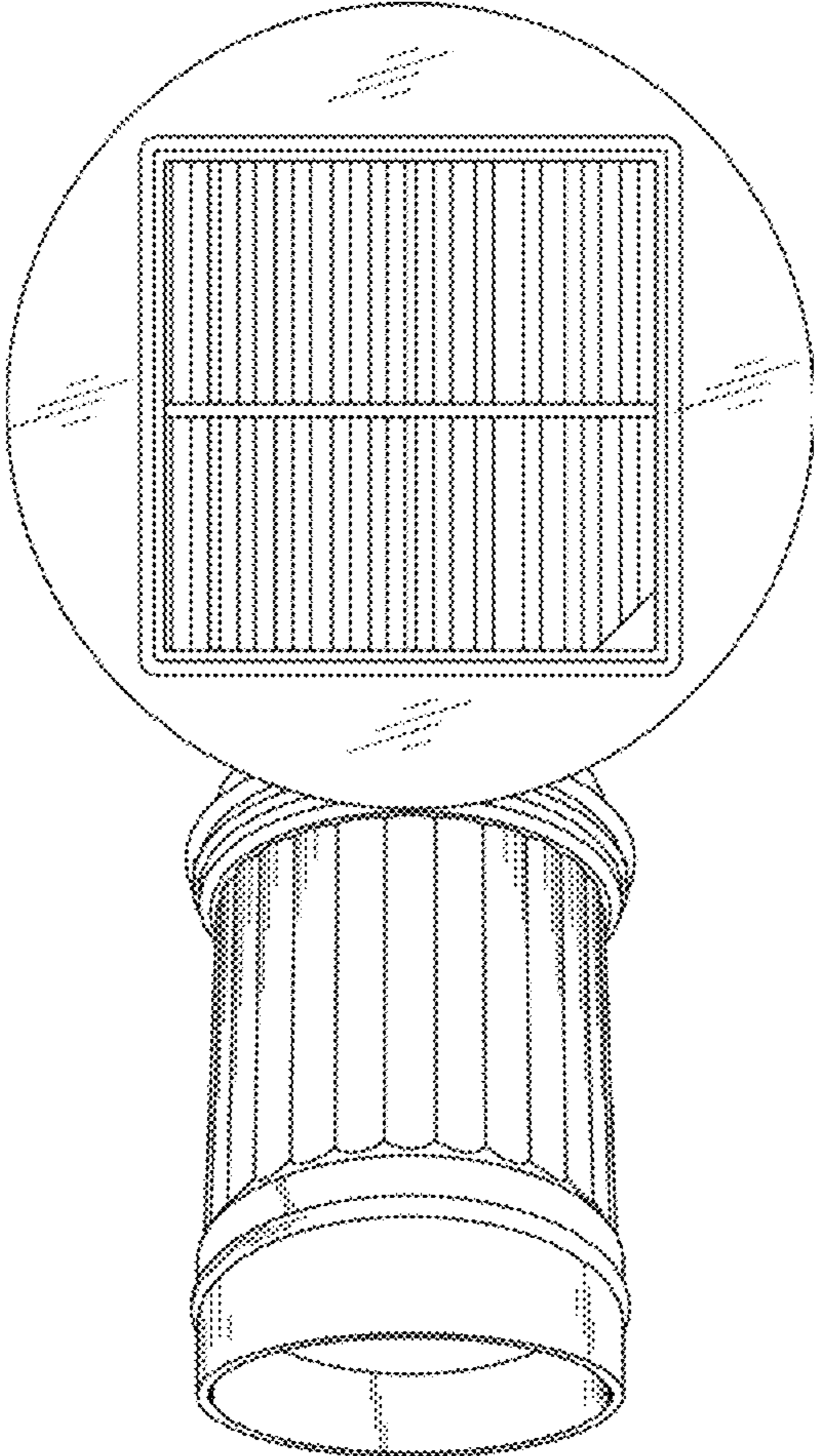


FIG.5

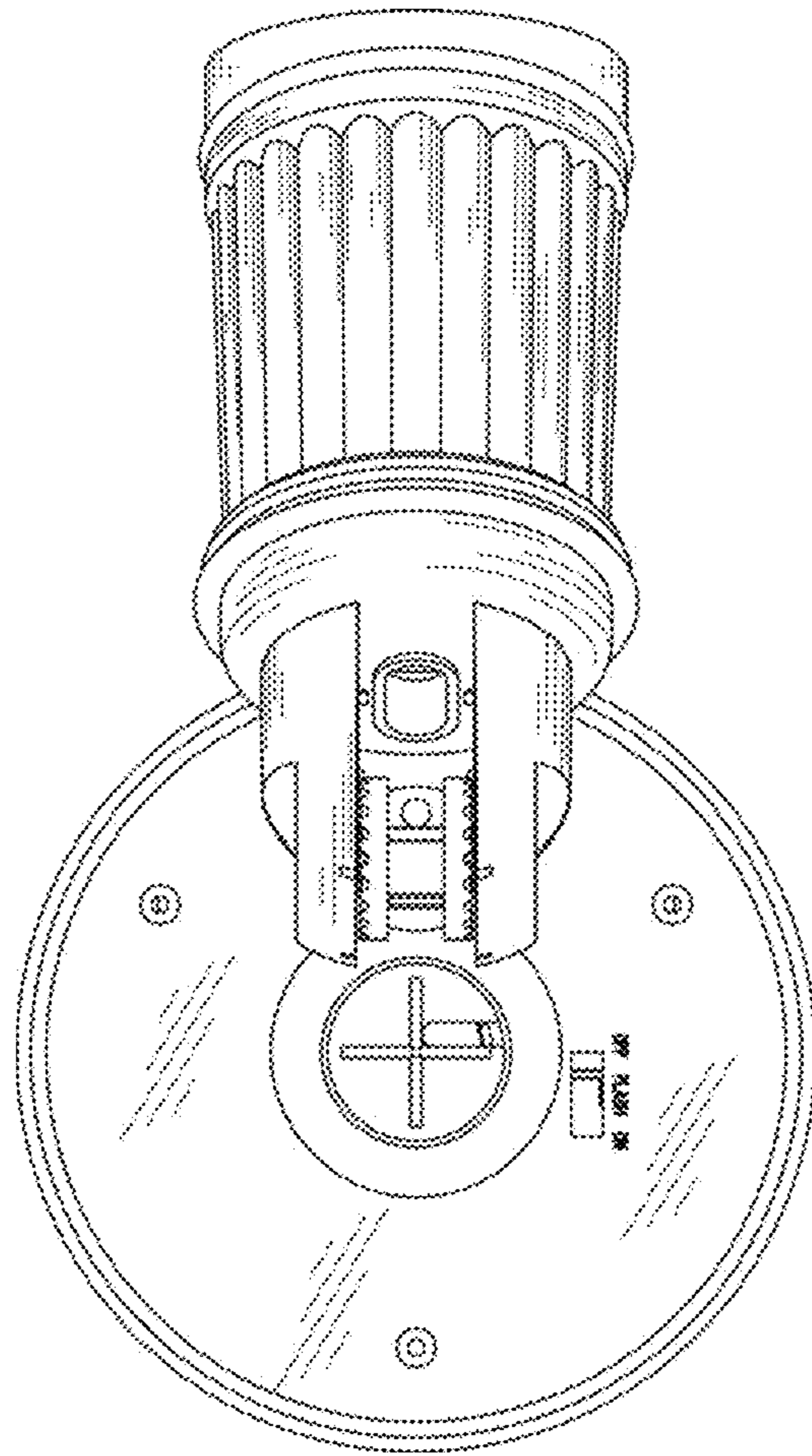


FIG.6

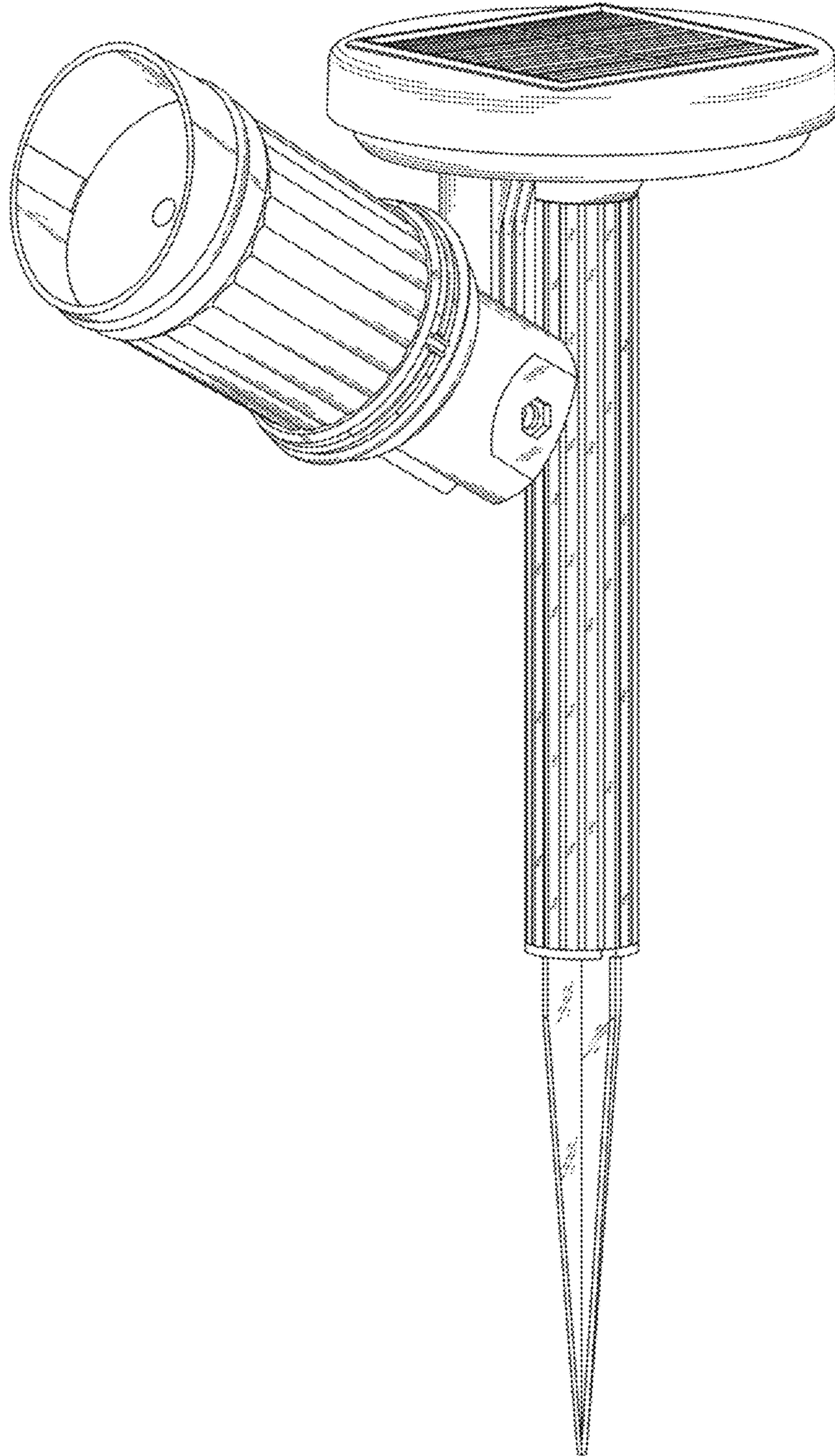


FIG. 7

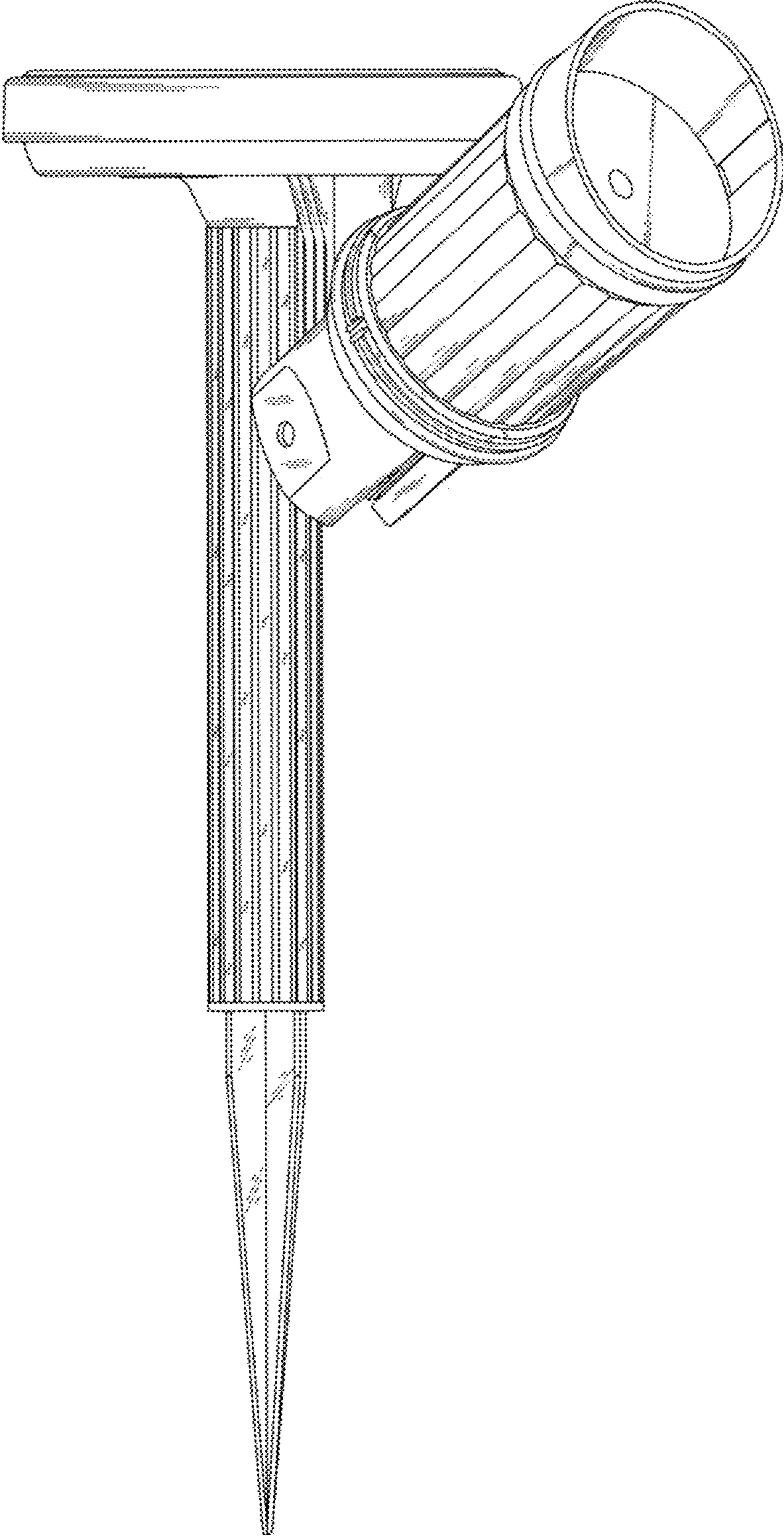


FIG.8

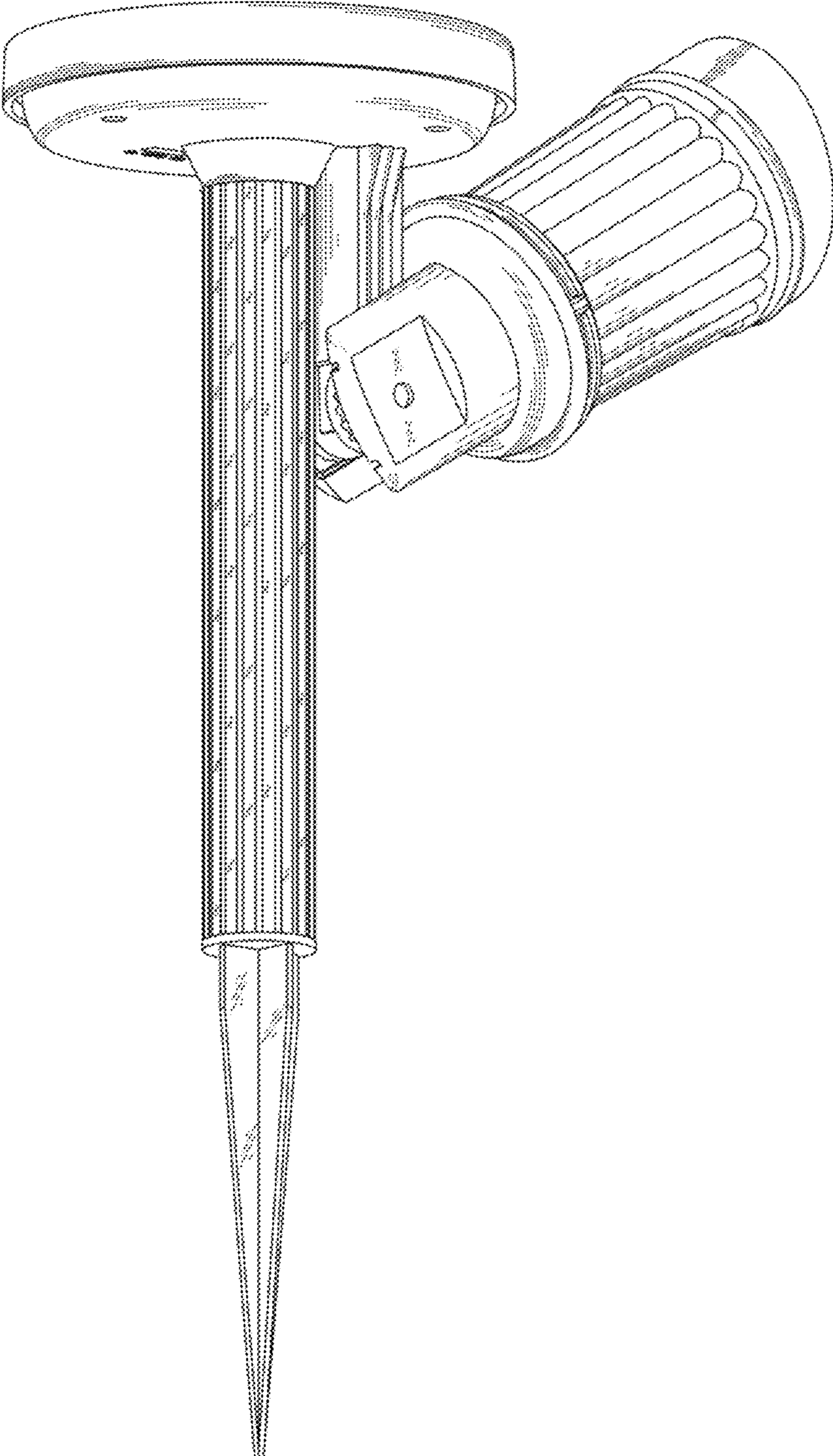


FIG.9

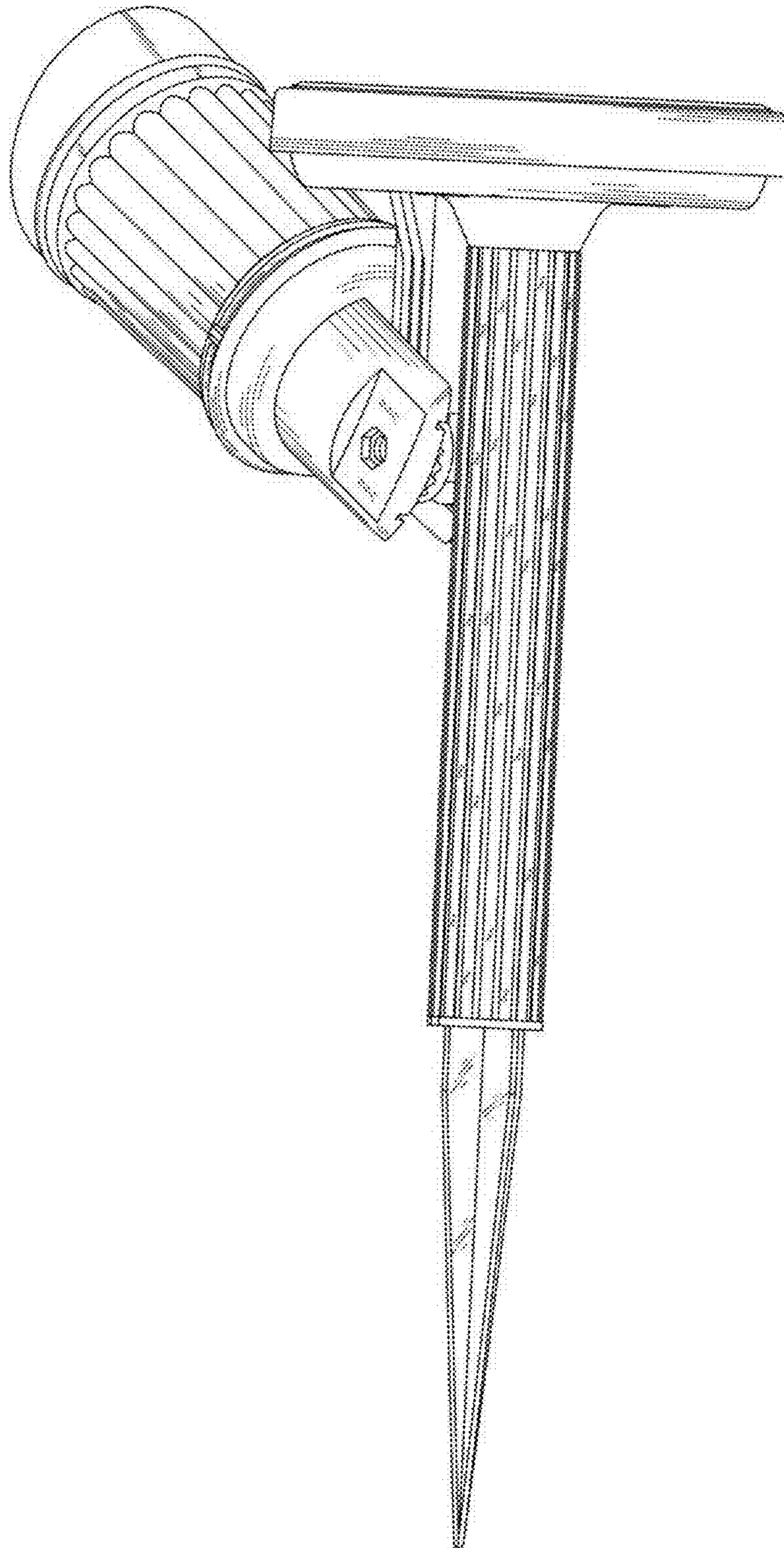


FIG.10