



US00D785223S

(12) **United States Design Patent**  
**Patton**

(10) **Patent No.:** **US D785,223 S**

(45) **Date of Patent:** **\*\* Apr. 25, 2017**

(54) **LANTERN**

(71) Applicant: **Luminara Worldwide, LLC**, Eden Prairie, MN (US)

(72) Inventor: **Douglas Patton**, Irvine, CA (US)

(73) Assignee: **Luminara Worldwide, LLC**, Eden Prairie, MN (US)

(\*\*) Term: **15 Years**

(21) Appl. No.: **29/541,158**

(22) Filed: **Sep. 30, 2015**

(51) **LOC (10) Cl.** ..... **26-05**

(52) **U.S. Cl.**  
USPC ..... **D26/67; D26/85**

(58) **Field of Classification Search**  
USPC ..... D26/9, 11, 40, 67, 72, 85, 87, 104, 118, D26/128  
CPC .... F21S 8/04; F21S 8/043; F21S 8/046; F21S 8/06; F21S 8/063; F21S 8/065  
See application file for complete search history.

(56) **References Cited**

**U.S. PATENT DOCUMENTS**

D63,375 S	*	11/1923	Mohrmann	.....	D26/85
D189,984 S	*	3/1961	Slaton	.....	D10/114.2
D265,001 S	*	6/1982	Graham	.....	D26/104
D287,409 S	*	12/1986	Johansson	.....	D26/40
D427,352 S	*	6/2000	Miranda	.....	D26/67
D430,335 S	*	8/2000	Hsu	.....	D26/104
D445,210 S	*	7/2001	Chen	.....	D26/72
D465,296 S	*	11/2002	DiPasquale	.....	D26/67
D468,043 S	*	12/2002	Krieger	.....	D26/67
D469,203 S	*	1/2003	DiPasquale	.....	D26/67

(Continued)

**OTHER PUBLICATIONS**

“Mt Laurel” lantern model # 2385 CB from the Hinkley Lighting

2005-2006 catalog. (3 pages includes front and rear covers of catalog).\*

(Continued)

*Primary Examiner* — Clare E Heflin

(74) *Attorney, Agent, or Firm* — Fish & Tsang LLP

(57) **CLAIM**

The ornamental design for a lantern, as shown and described.

**DESCRIPTION**

FIG. 1 is a perspective view of a first embodiment of a lantern of the new design.

FIG. 2 is a front elevation view of the first embodiment of a lantern of the new design.

FIG. 3 is a rear elevation view of the first embodiment of a lantern of the new design.

FIG. 4 is a right side elevation view of the first embodiment of a lantern of the new design.

FIG. 5 is a left side elevation view of the first embodiment of a lantern of the new design.

FIG. 6 is a top plan view of the first embodiment of a lantern of the new design.

FIG. 7 is a bottom plan view of the first embodiment of a lantern of the new design.

FIG. 8 is a perspective view of a second embodiment of a lantern of the new design.

FIG. 9 is a front elevation view of the second embodiment of a lantern of the new design.

FIG. 10 is a rear elevation view of the second embodiment of a lantern of the new design.

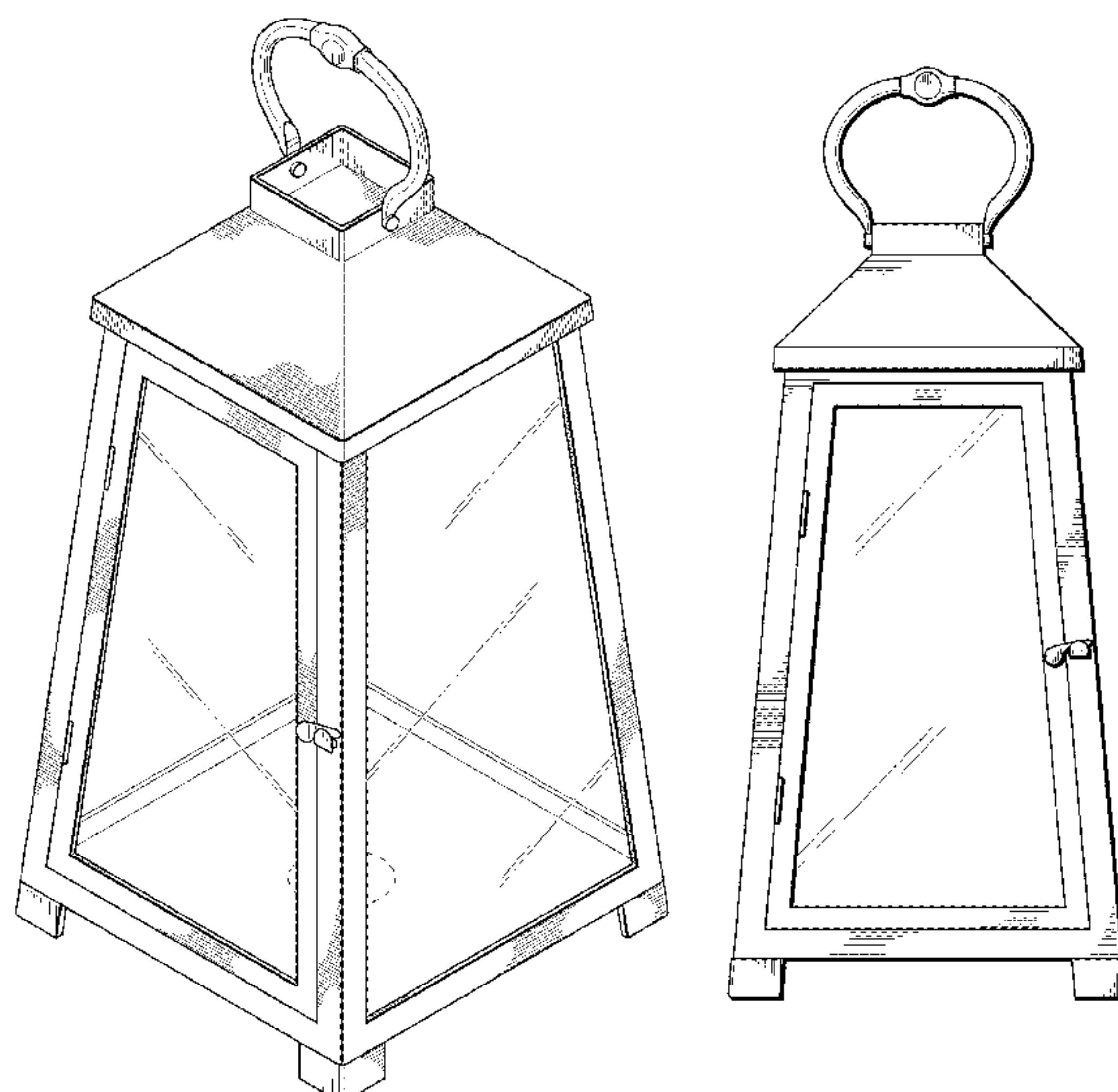
FIG. 11 is a right side elevation view of the second embodiment of a lantern of the new design.

FIG. 12 is a left side elevation view of the second embodiment of a lantern of the new design.

FIG. 13 is a top plan view of the second embodiment of a lantern of the new design; and,

FIG. 14 is a bottom plan view of the second embodiment of a lantern of the new design.

**1 Claim, 8 Drawing Sheets**



(56)

**References Cited**

U.S. PATENT DOCUMENTS

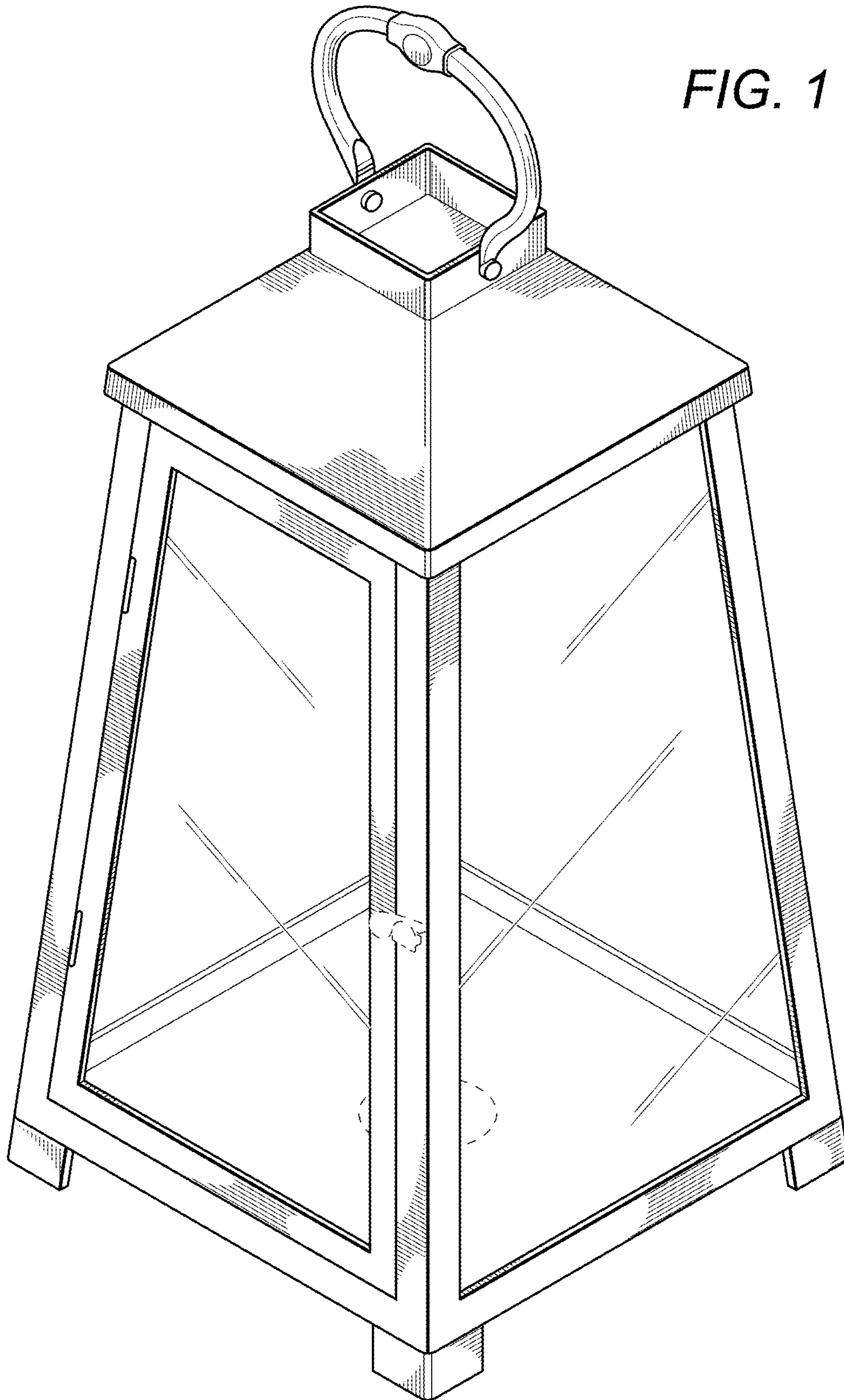
D475,797 S	*	6/2003	Cheong .....	D26/37
D478,684 S	*	8/2003	DiPasquale .....	D26/67
D500,157 S	*	12/2004	Chen .....	D26/67
D526,081 S	*	8/2006	Wen .....	D26/67
D542,965 S	*	5/2007	Layne .....	D26/128
D553,285 S	*	10/2007	Curtin .....	D26/67
D574,534 S	*	8/2008	Lastimoso .....	D26/67
D764,692 S	*	8/2016	Montemagni .....	D26/40
D772,463 S	*	11/2016	Stern .....	D26/67

OTHER PUBLICATIONS

“Sienna” lantern model # 1190 SN shown on p. 247 of the Hinkley Lighting Catalog © 2005.\*

“Astoria” lantern model # 9868 OZ from the Kichler Lighting 2005 catalog. (3 pages includes front and rear covers of catalog).\*

\* cited by examiner



*FIG. 1*



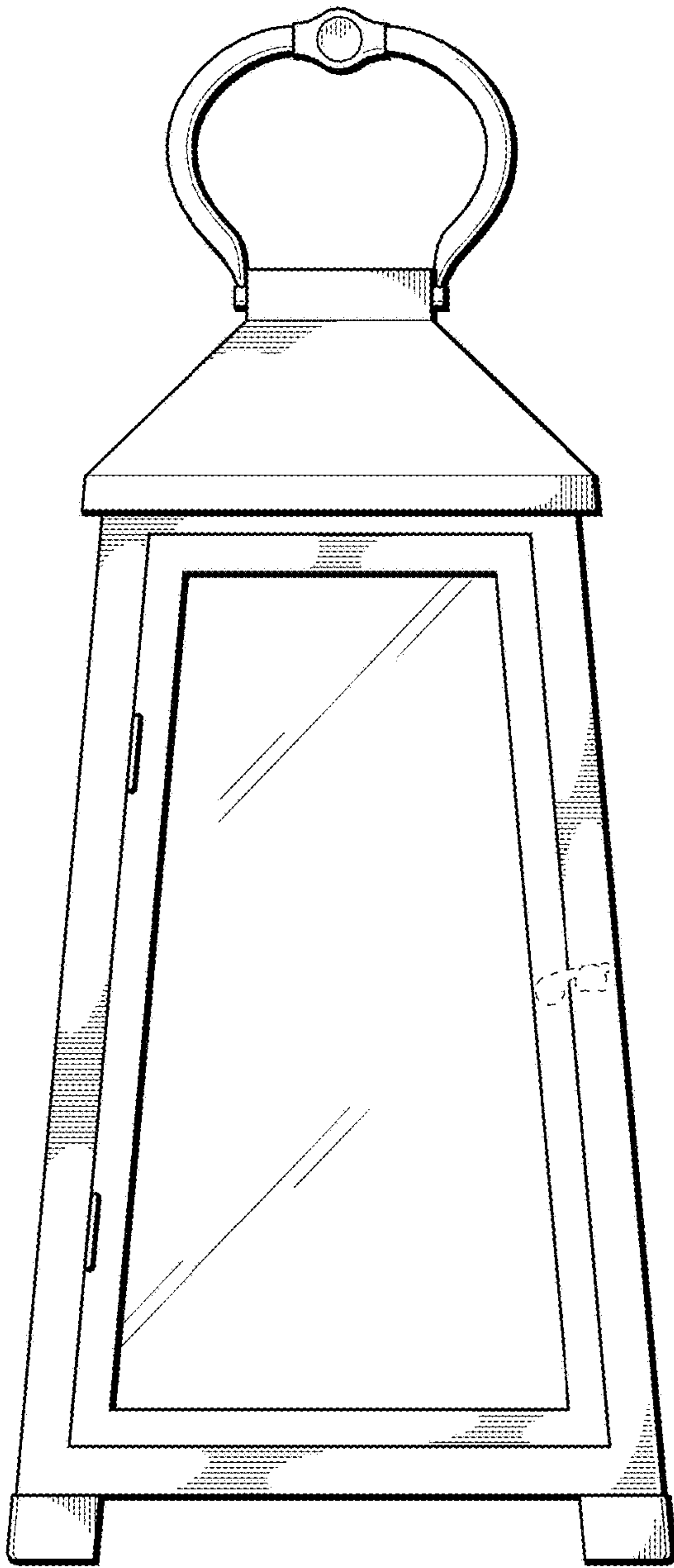


FIG. 2

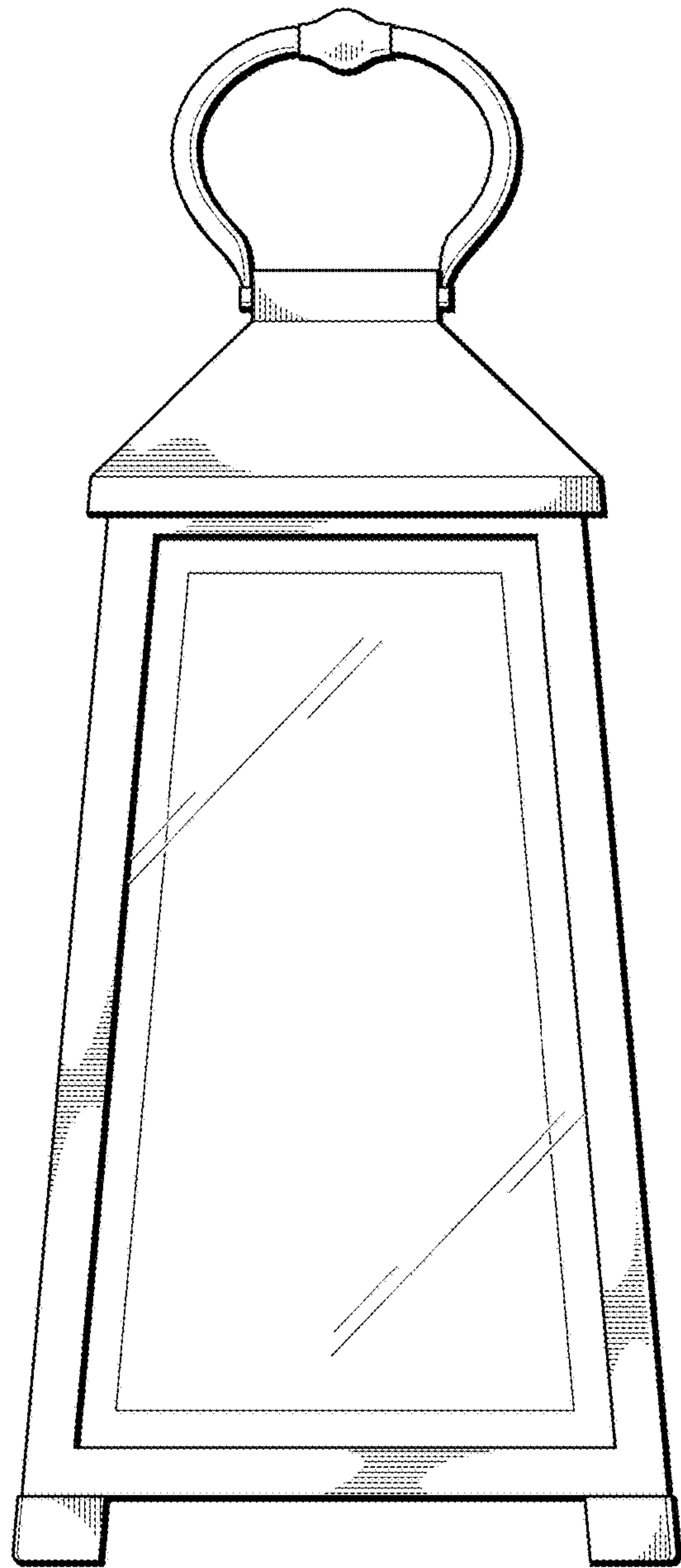


FIG. 3

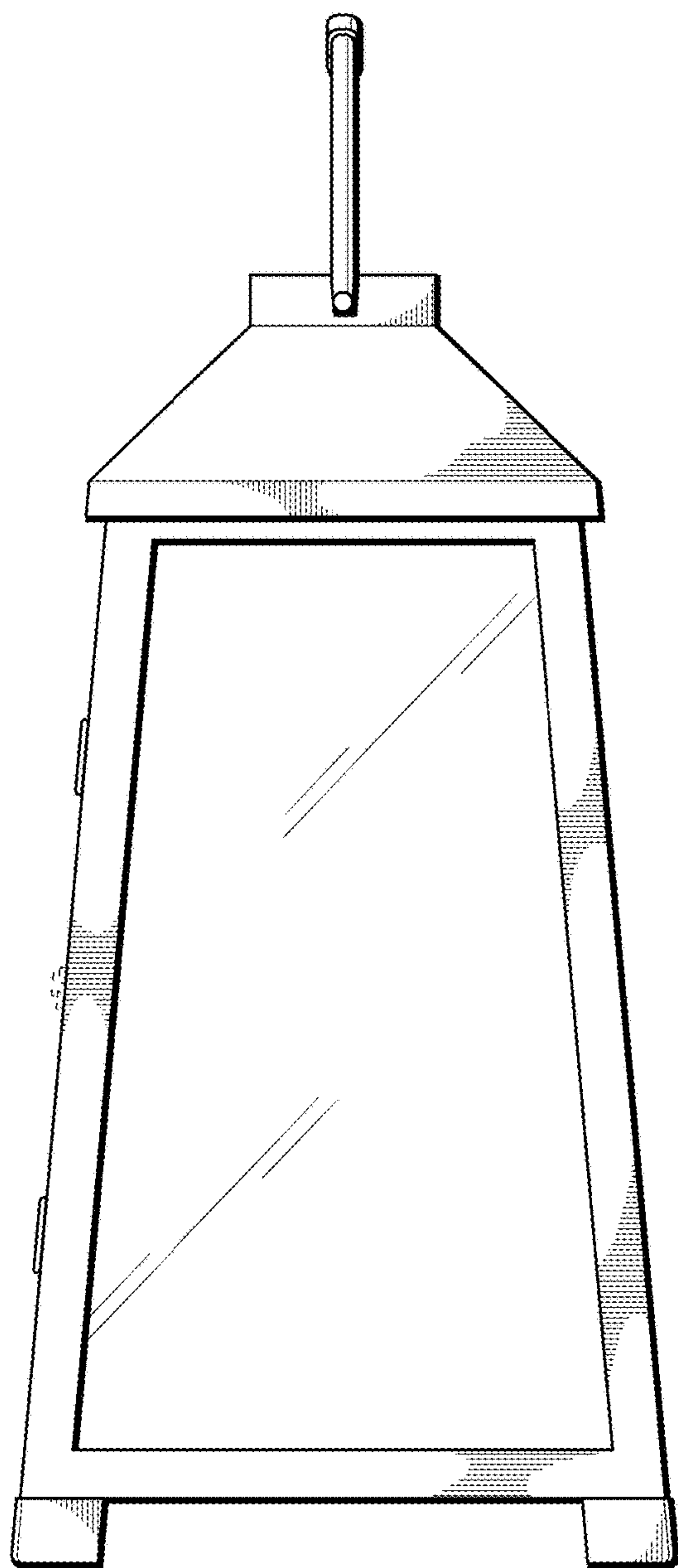


FIG. 4

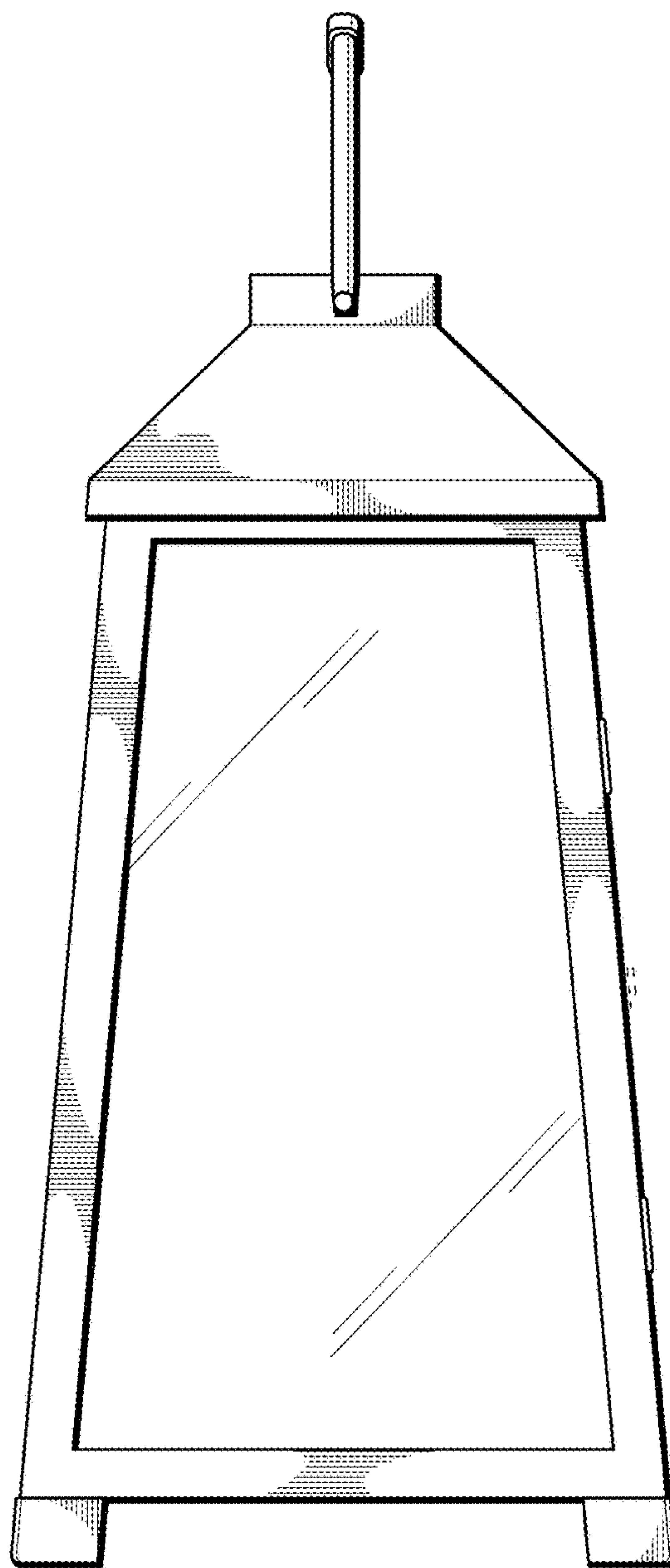


FIG. 5

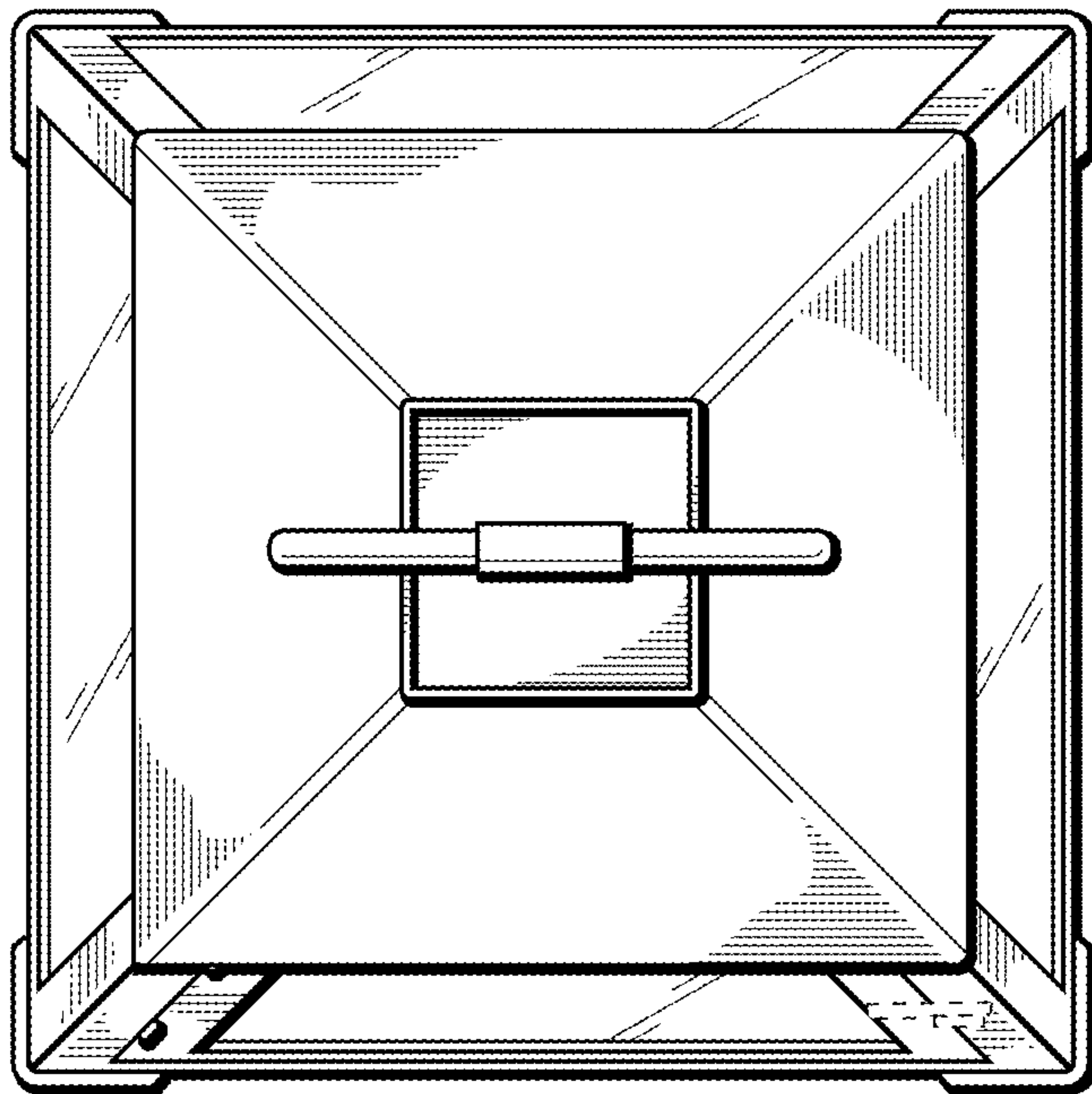


FIG. 6

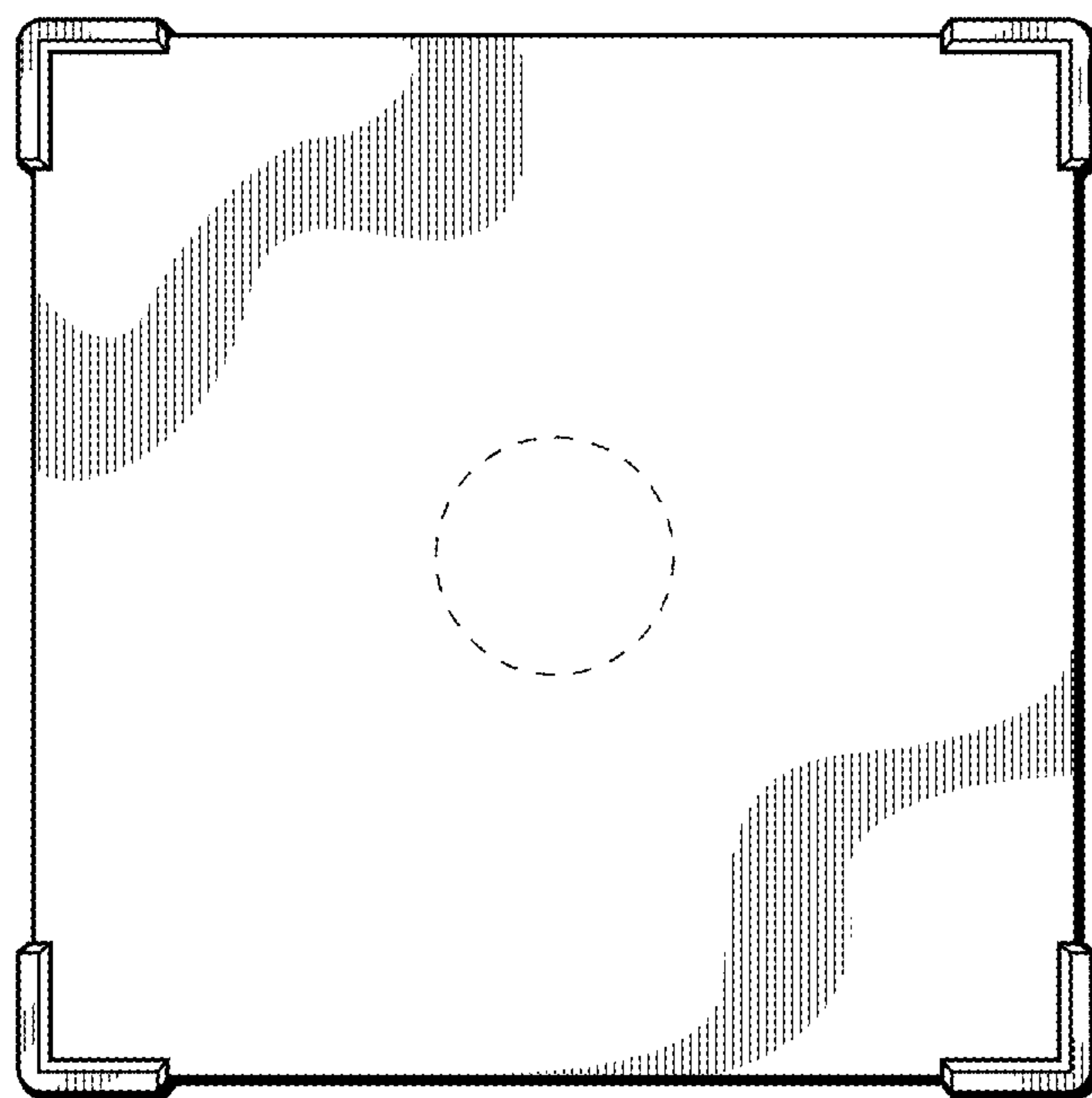


FIG. 7

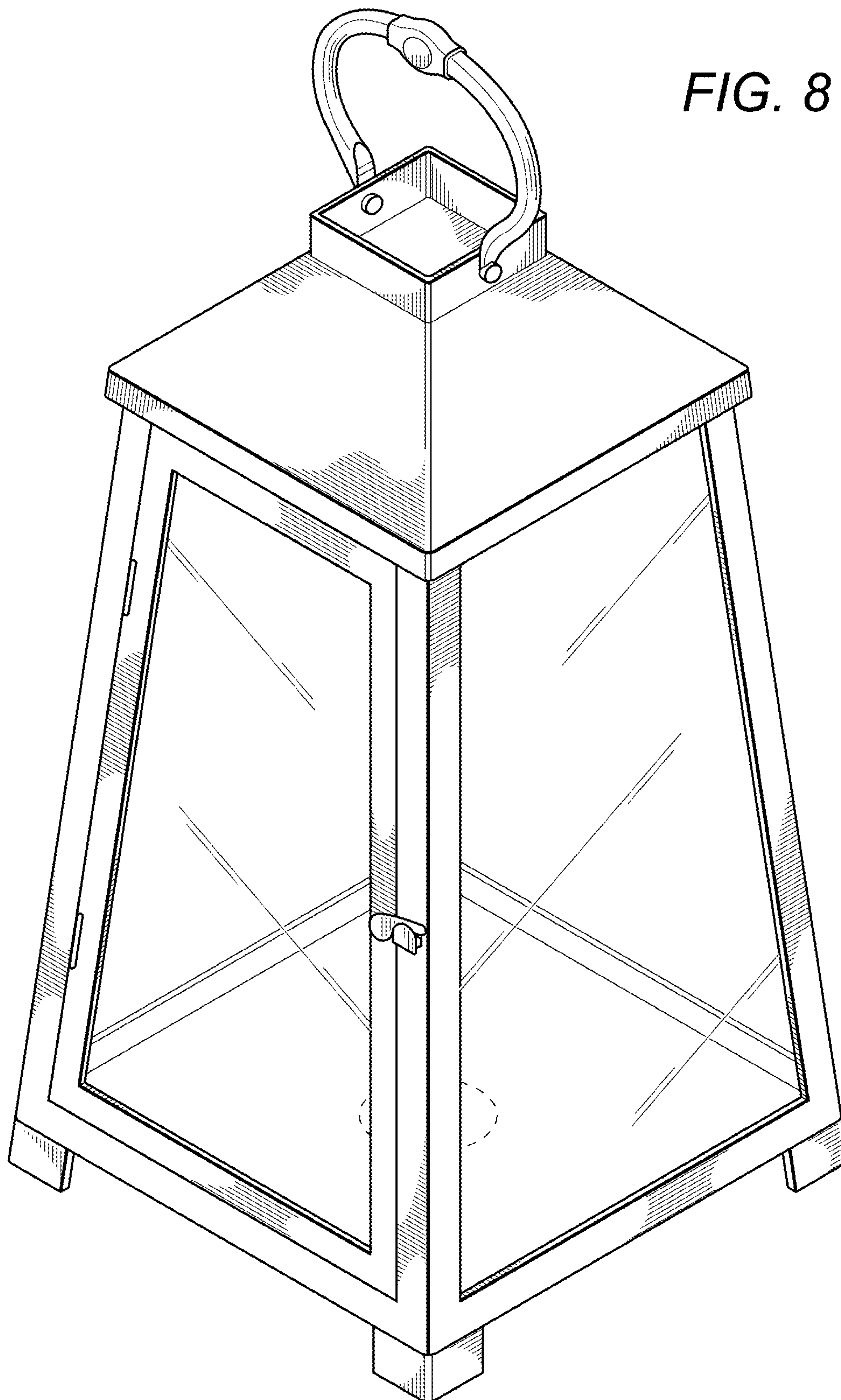


FIG. 8

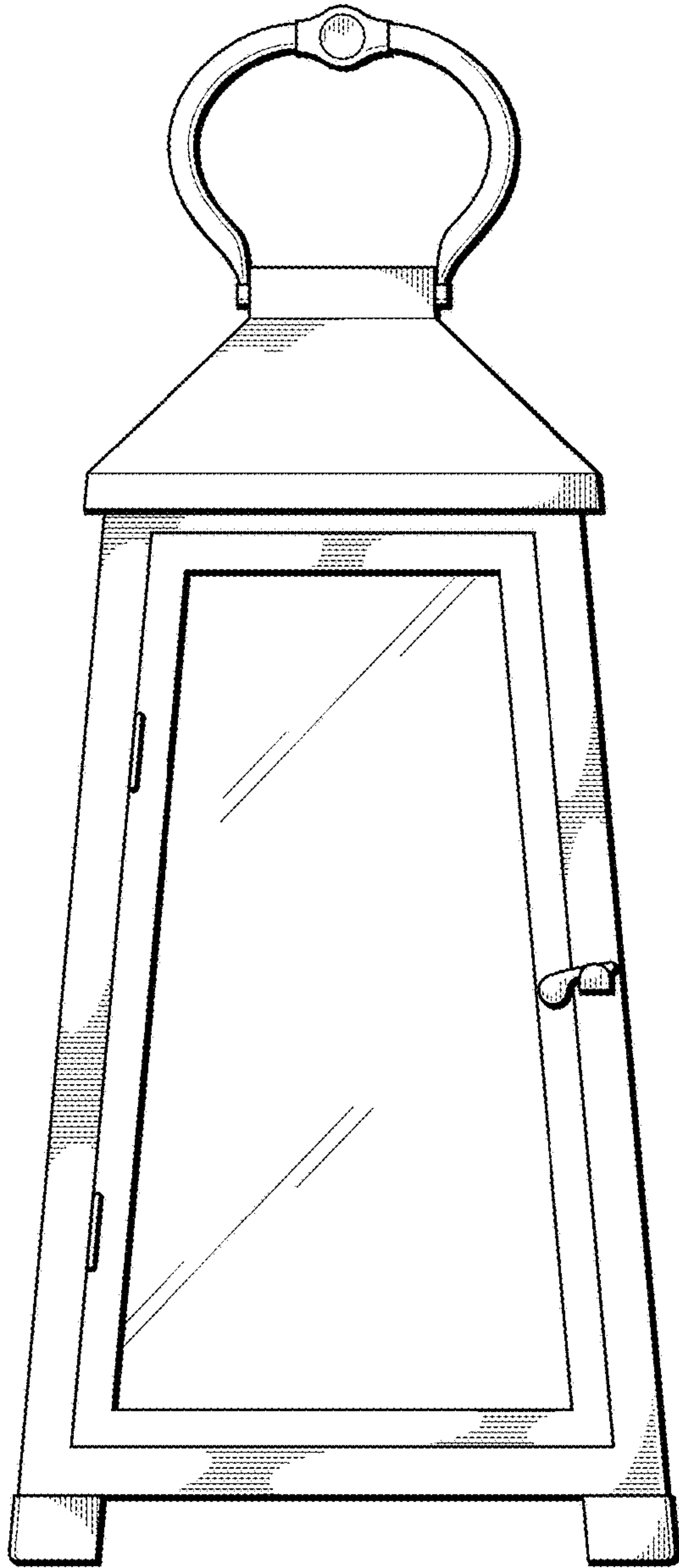


FIG. 9

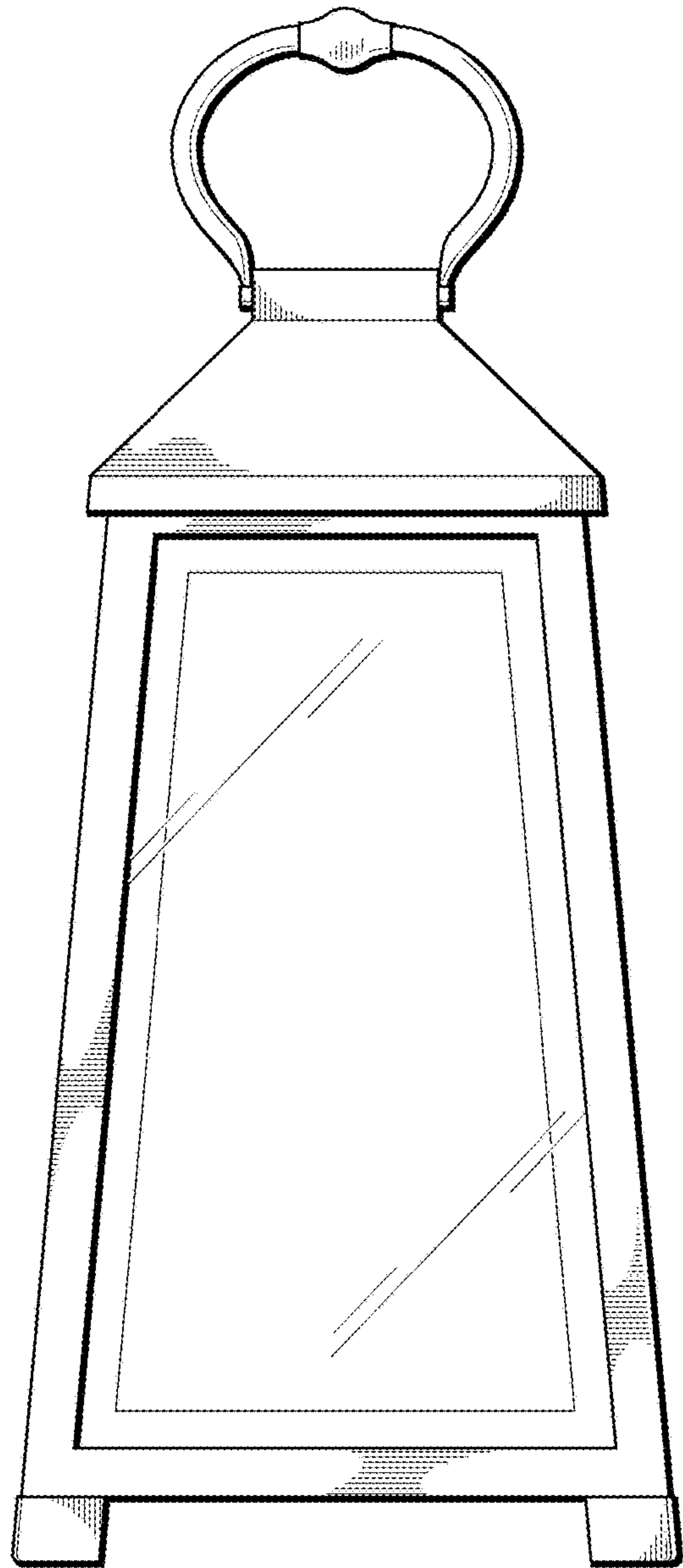


FIG. 10



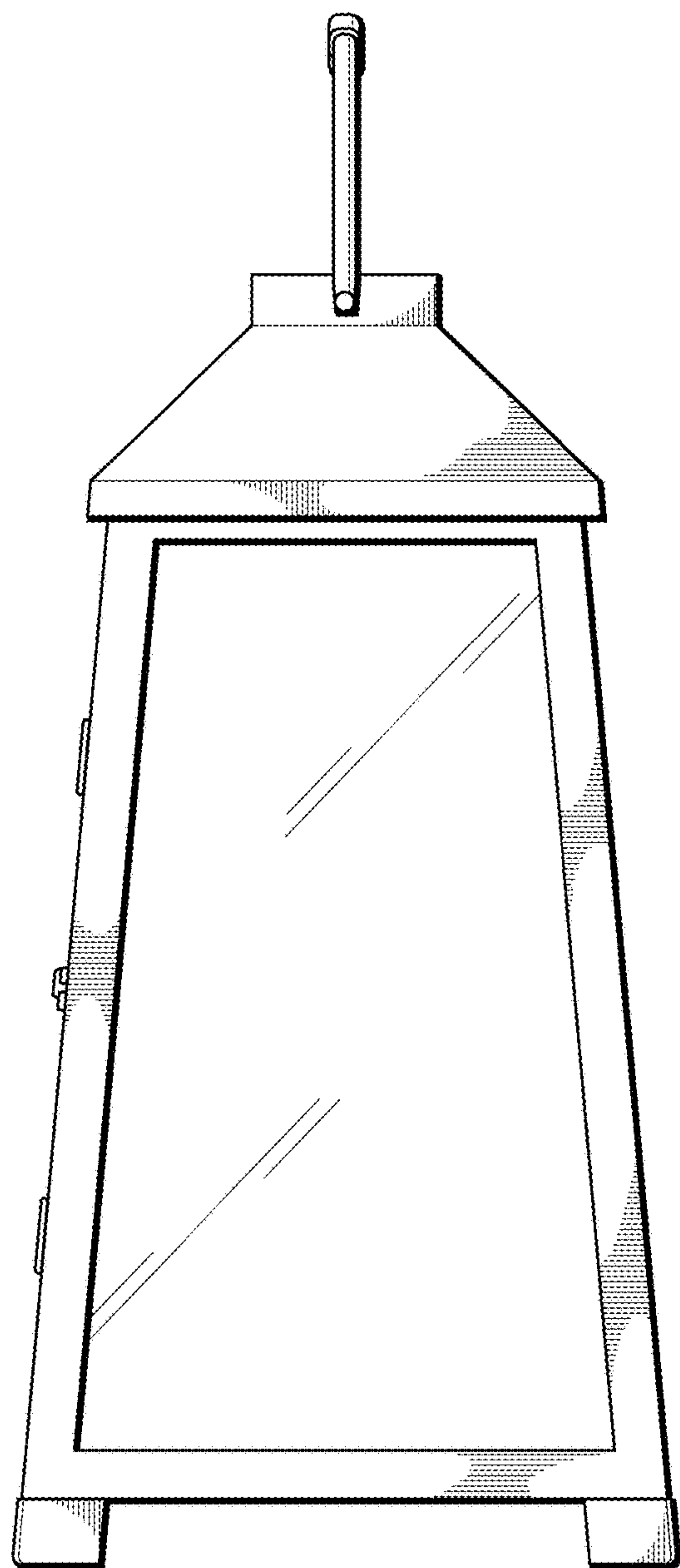


FIG. 11

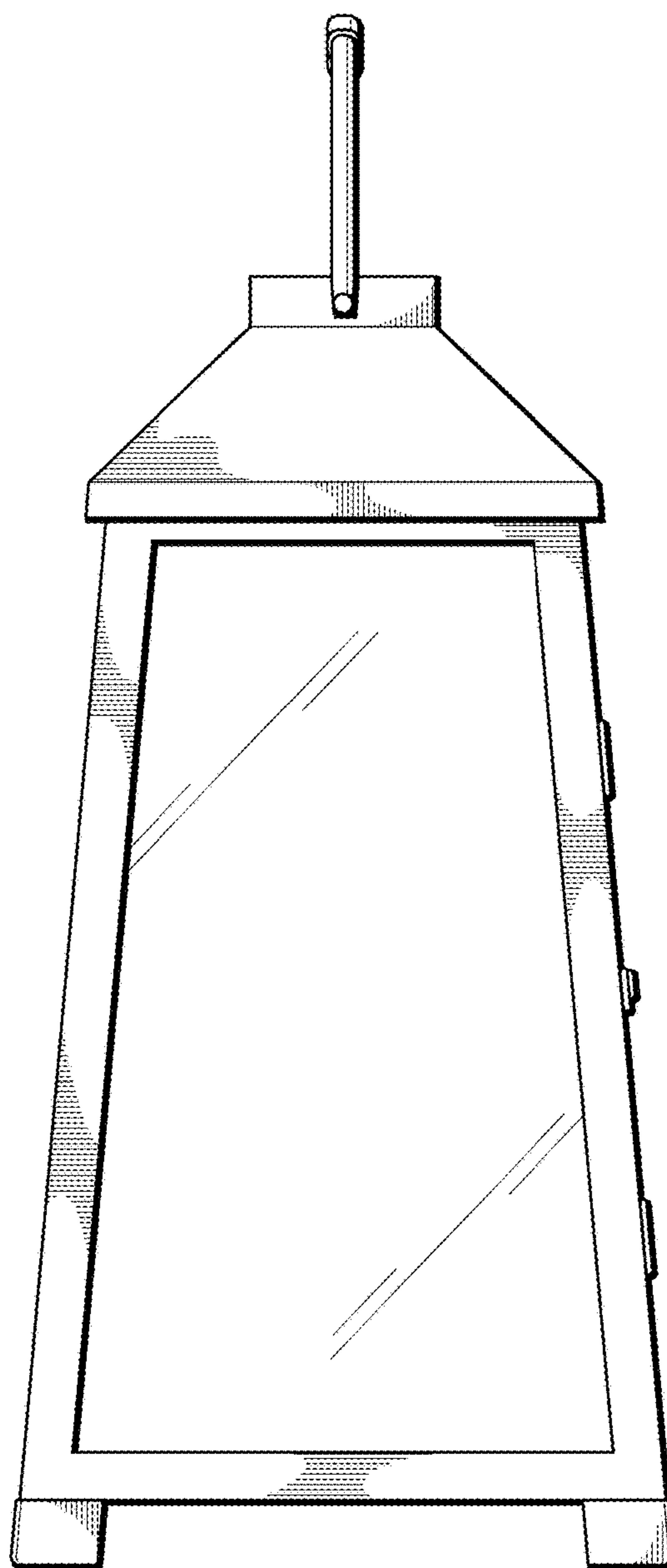
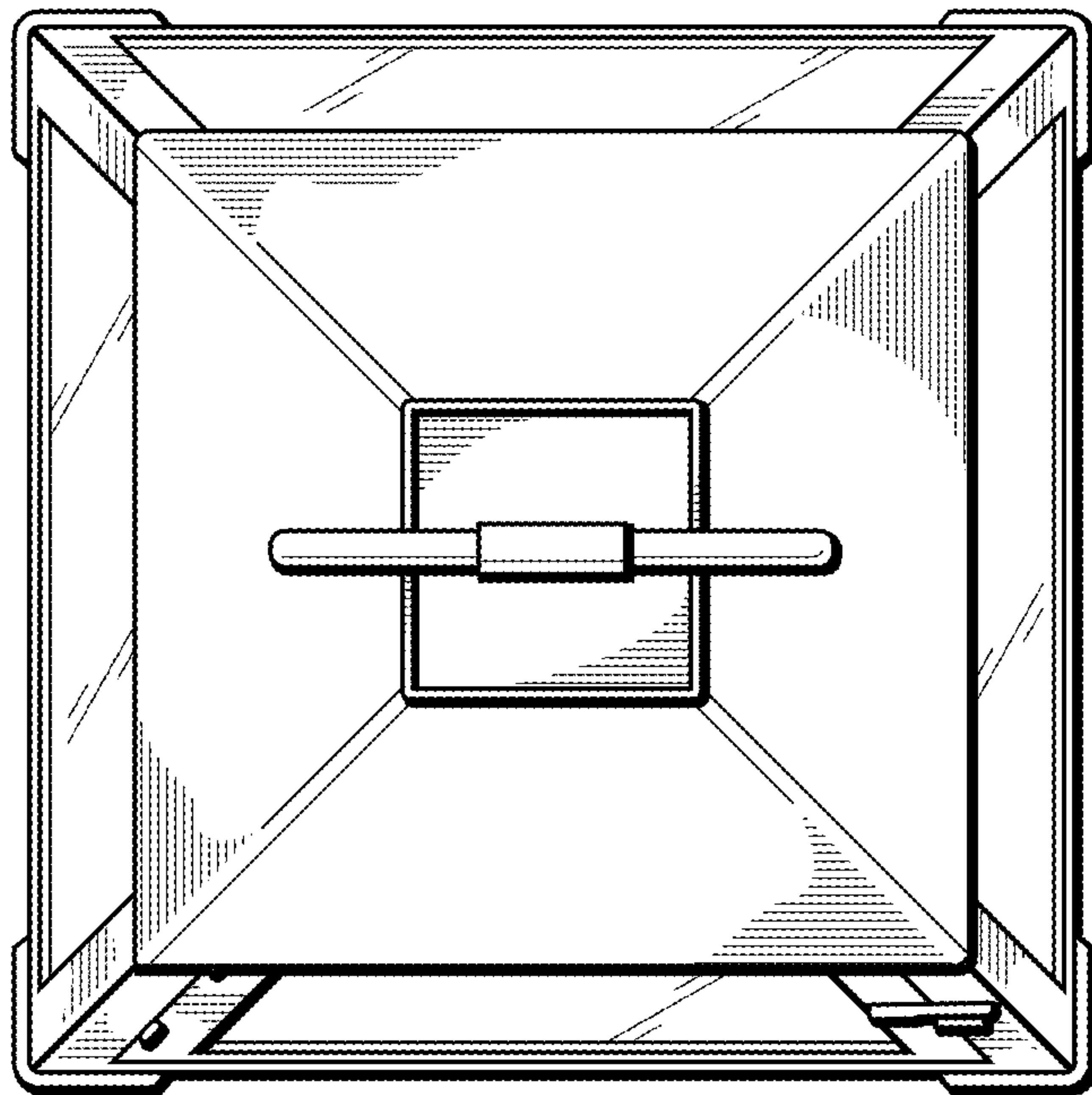
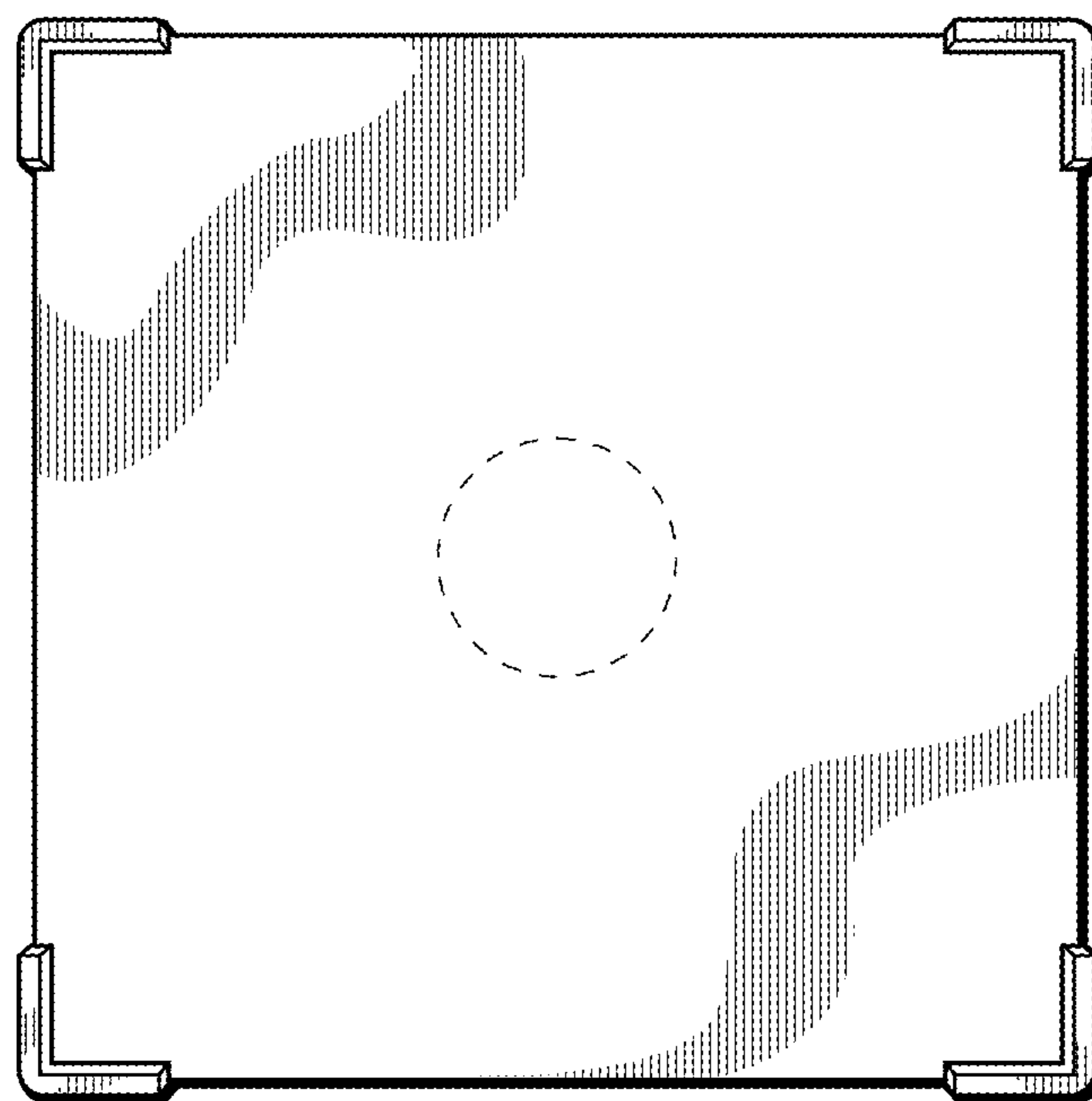


FIG. 12



*FIG. 13*



*FIG. 14*