



US00D785222S

(12) **United States Design Patent**
Lee et al.

(10) **Patent No.:** **US D785,222 S**
(45) **Date of Patent:** **** Apr. 25, 2017**

(54) **FOLDABLE LAMP**

(71) Applicants: **Sunny Lee**, Huizhou (CN); **Yongjun Zhang**, Huizhou (CN)

(72) Inventors: **Sunny Lee**, Huizhou (CN); **Yongjun Zhang**, Huizhou (CN)

(73) Assignee: **Walsun Lighting (Huizhou) Co., Ltd.**, Huizhou (CN)

(**) Term: **14 Years**

(21) Appl. No.: **29/497,529**

(22) Filed: **Jul. 25, 2014**

(30) **Foreign Application Priority Data**

Jan. 25, 2014 (CN) 2014 3 0020838

(51) **LOC (10) Cl.** **26-03**

(52) **U.S. Cl.**
USPC **D26/65**

(58) **Field of Classification Search**
USPC D26/24, 61, 63, 65, 93, 107
CPC F21Y 2101/02; F21S 6/003; F21V 21/26;
F21V 21/30

See application file for complete search history.

(56) **References Cited**

U.S. PATENT DOCUMENTS

D568,520 S * 5/2008 Castellucci D26/65
D608,046 S * 1/2010 Chien D26/107
D627,501 S * 11/2010 Lin D26/65
D642,315 S * 7/2011 Yu Chung Han D26/65

* cited by examiner

Primary Examiner — Brian N Vinson

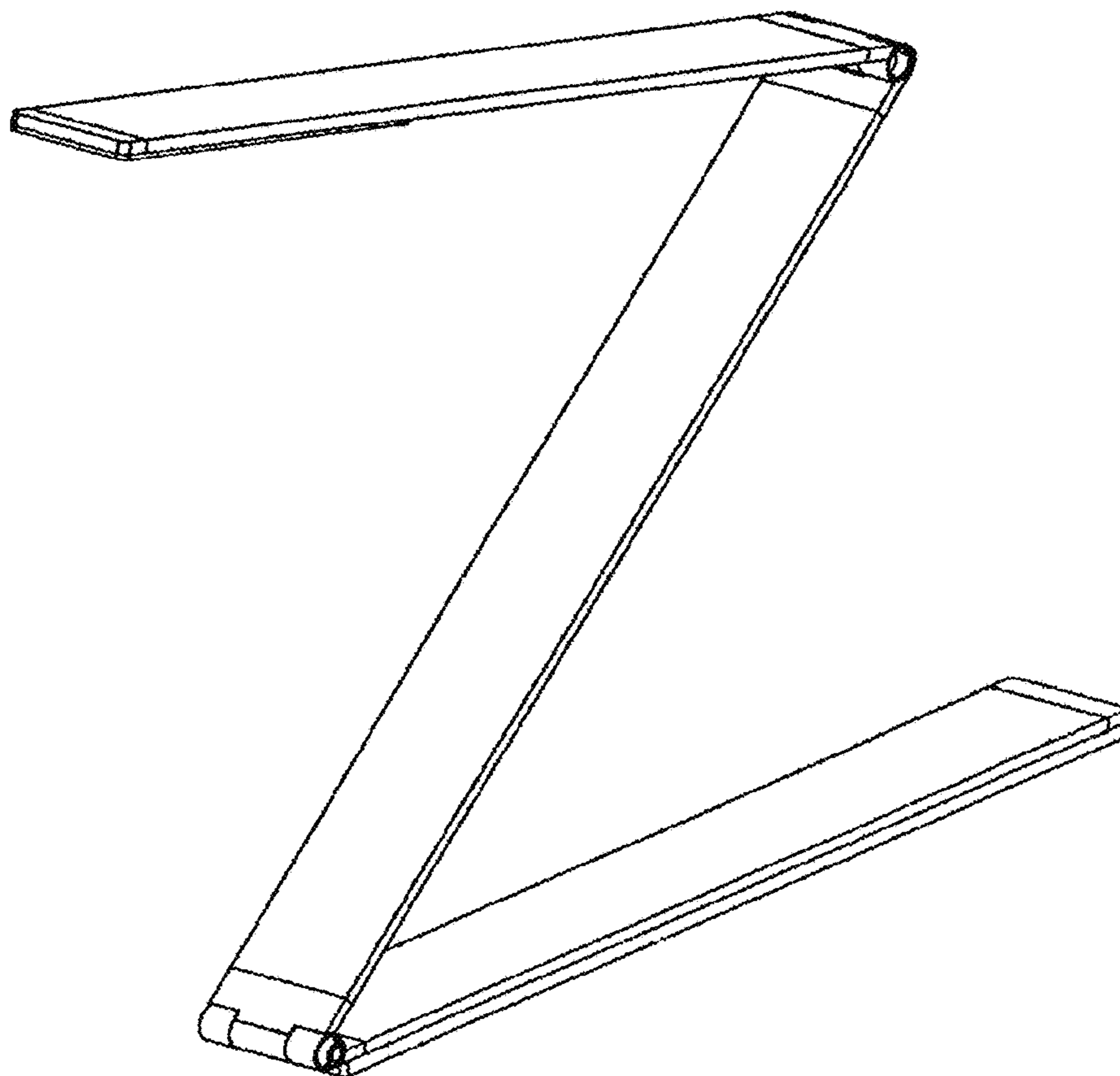
(57) **CLAIM**

The ornamental design for a foldable lamp, as shown and described.

DESCRIPTION

FIG. 1 is a first embodiment of a foldable lamp showing my new design;
FIG. 2 is a front elevational view thereof;
FIG. 3 is a rear elevational view thereof;
FIG. 4 is a left side elevational view thereof;
FIG. 5 is a right side elevational view thereof;
FIG. 6 is a top plan view thereof; and,
FIG. 7 is a bottom plan view thereof.

1 Claim, 7 Drawing Sheets



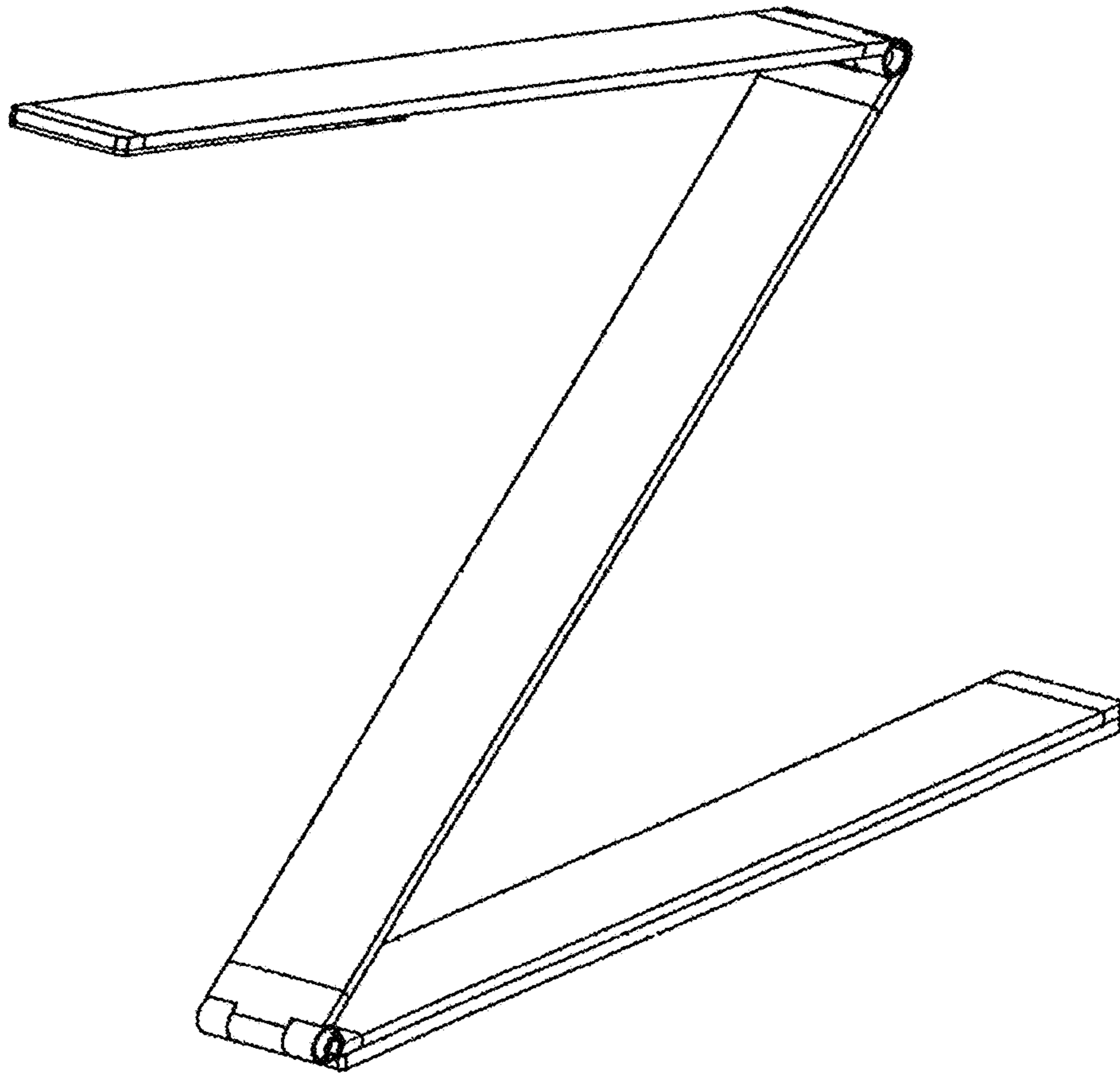


FIG. 1



FIG. 2



FIG. 3

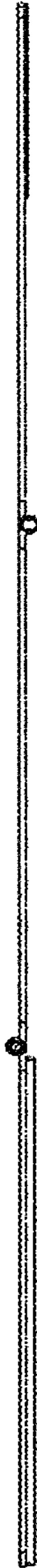


FIG. 4



FIG. 5

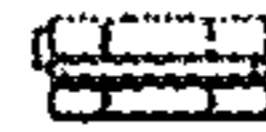


FIG. 6

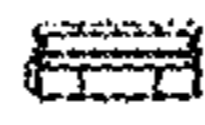


FIG. 7