



US00D785221S

(12) **United States Design Patent**  
**Swai et al.**

(10) **Patent No.:** **US D785,221 S**  
(45) **Date of Patent:** **\*\* Apr. 25, 2017**

(54) **HIGH POWERED FLOOD LUMINAIRE**

D254,094 S \* 1/1980 Jaksich ..... D26/63  
D650,504 S \* 12/2011 Kim ..... D26/63  
D706,478 S \* 6/2014 Yuen ..... D26/63

(71) Applicant: **PHILIPS LIGHTING HOLDING B.V.**, Eindhoven (NL)

\* cited by examiner

(72) Inventors: **Peter Swai**, Burlington, MA (US);  
**Zachary Wessner**, Burlington, MA (US)

*Primary Examiner* — Brian N Vinson

(73) Assignee: **PHILIPS LIGHTING HOLDING B.V.**, Eindhoven (NL)

(57) **CLAIM**

(\*\*) Term: **15 Years**

The ornamental design for a high powered flood luminaire, as shown and described.

(21) Appl. No.: **29/539,619**

(22) Filed: **Sep. 16, 2015**

(51) **LOC (10) Cl.** ..... **26-03**

(52) **U.S. Cl.**

USPC ..... **D26/63**

(58) **Field of Classification Search**

USPC ..... D26/60–66, 72, 85, 87, 92, 86, 102, 104  
CPC ..... F21Y 2103/002; F21Y 2101/02; F21S  
10/00; F21V 21/30; F21V 14/02; F21V  
21/00

See application file for complete search history.

**DESCRIPTION**

FIG. 1 is a perspective view showing my design;  
FIG. 2 is a front elevational view thereof;  
FIG. 3 is a rear elevational view thereof;  
FIG. 4 is a right side elevational view thereof;  
FIG. 5 is a left side elevational view thereof;  
FIG. 6 is a top plan view thereof; and,  
FIG. 7 is a bottom plan view thereof.

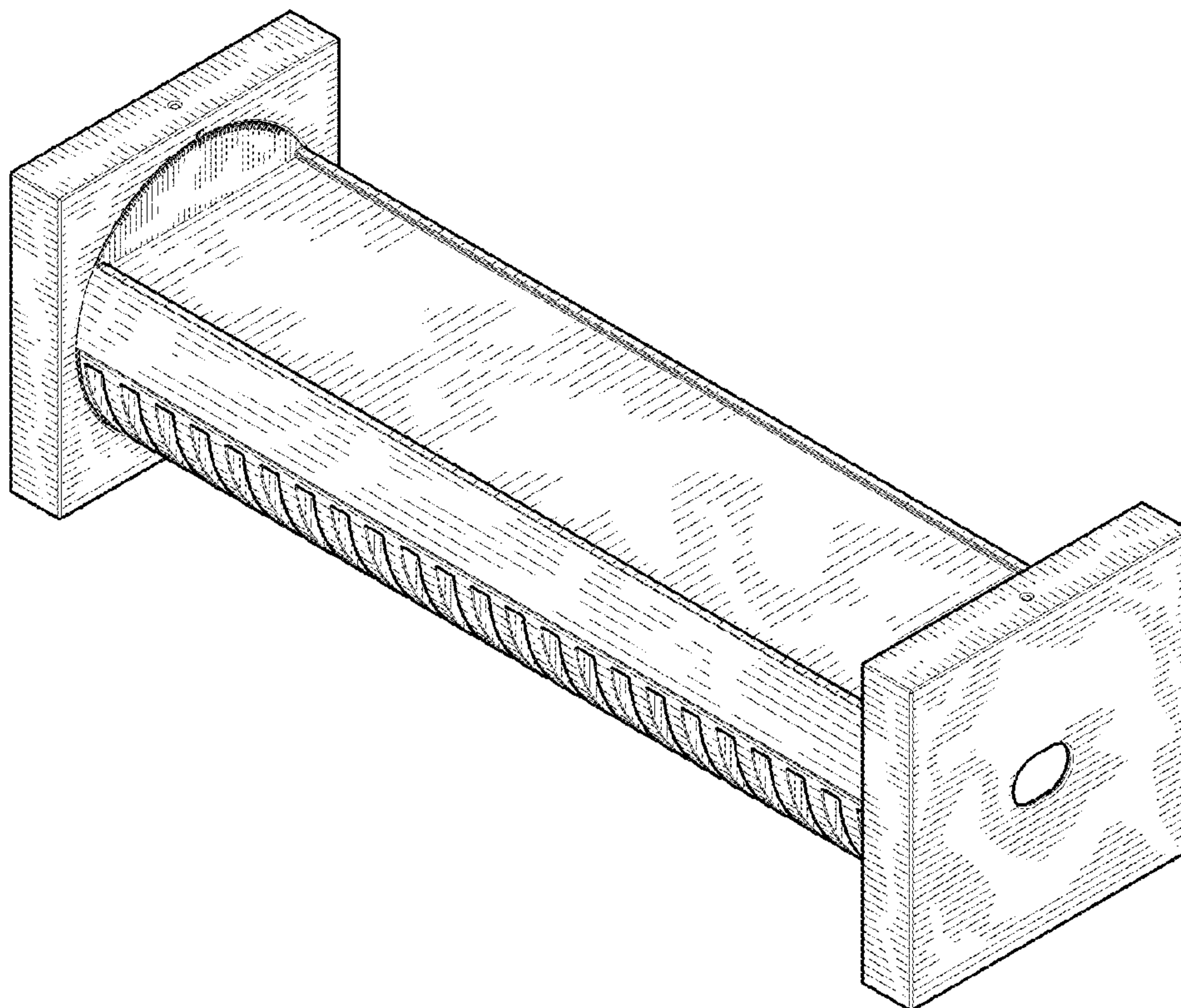
The dash-dot-dash broken lines shown represent the bounds of the claim and forms no part thereof and the dashed broken lines shown therein illustrate portions of the luminaire that form no part of the claimed design.

(56) **References Cited**

**U.S. PATENT DOCUMENTS**

D232,049 S \* 7/1974 Lahm et al. .... D26/63  
D243,035 S \* 1/1977 Kohlenstein ..... D26/24

**1 Claim, 4 Drawing Sheets**



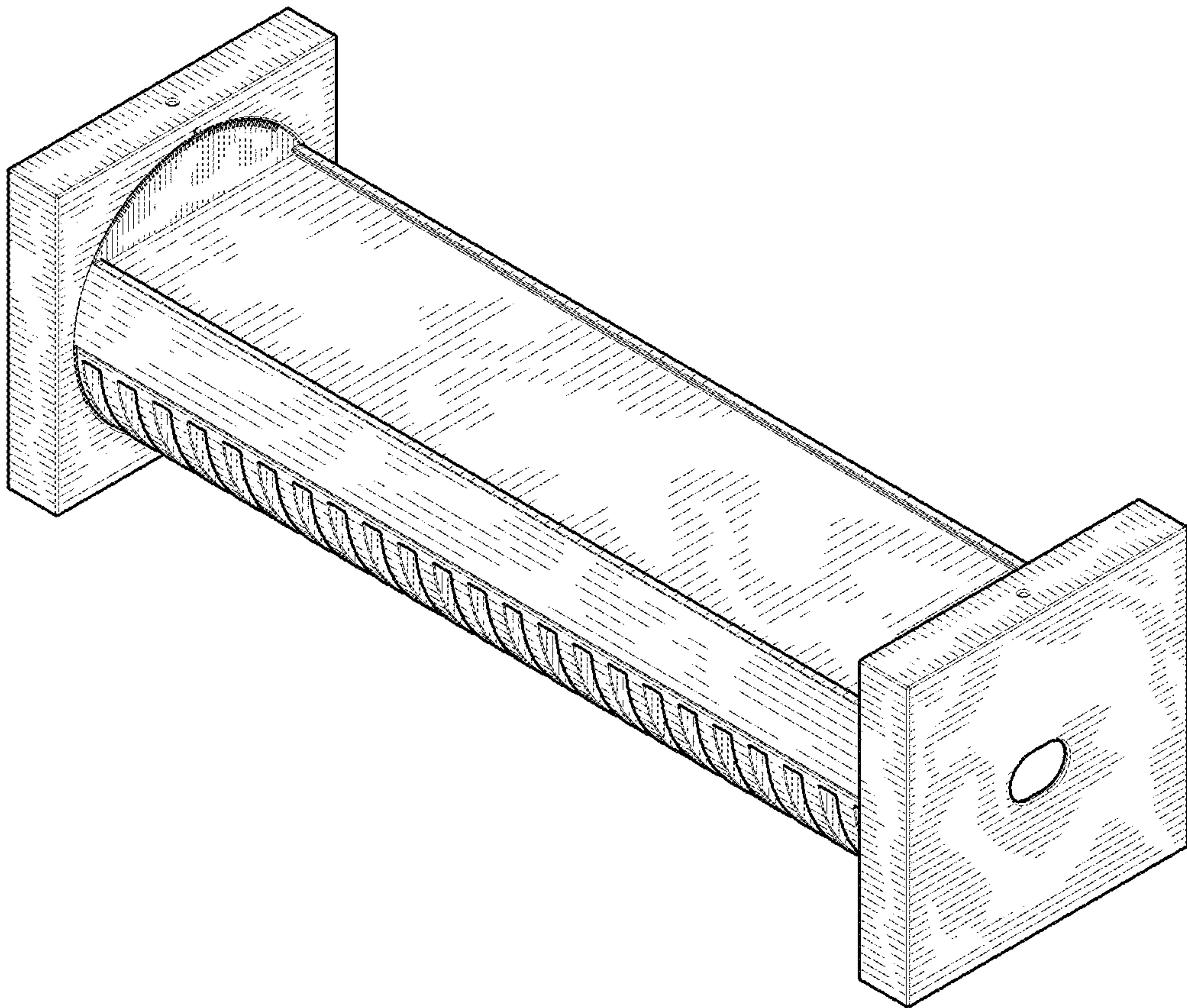


FIG.1



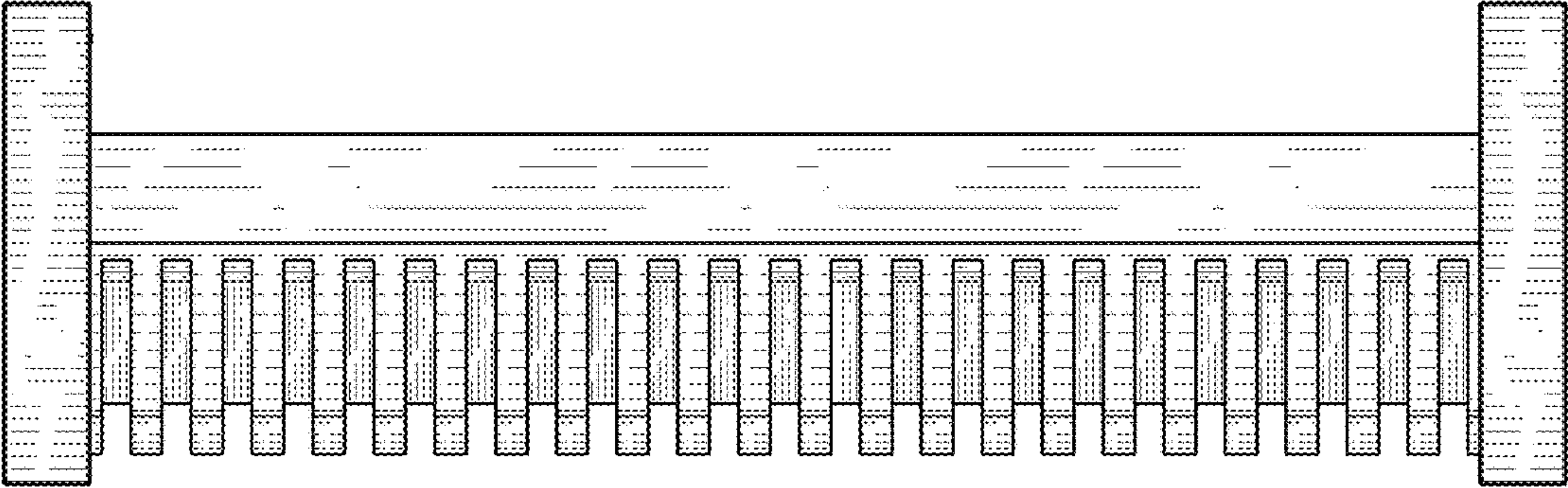


FIG. 2

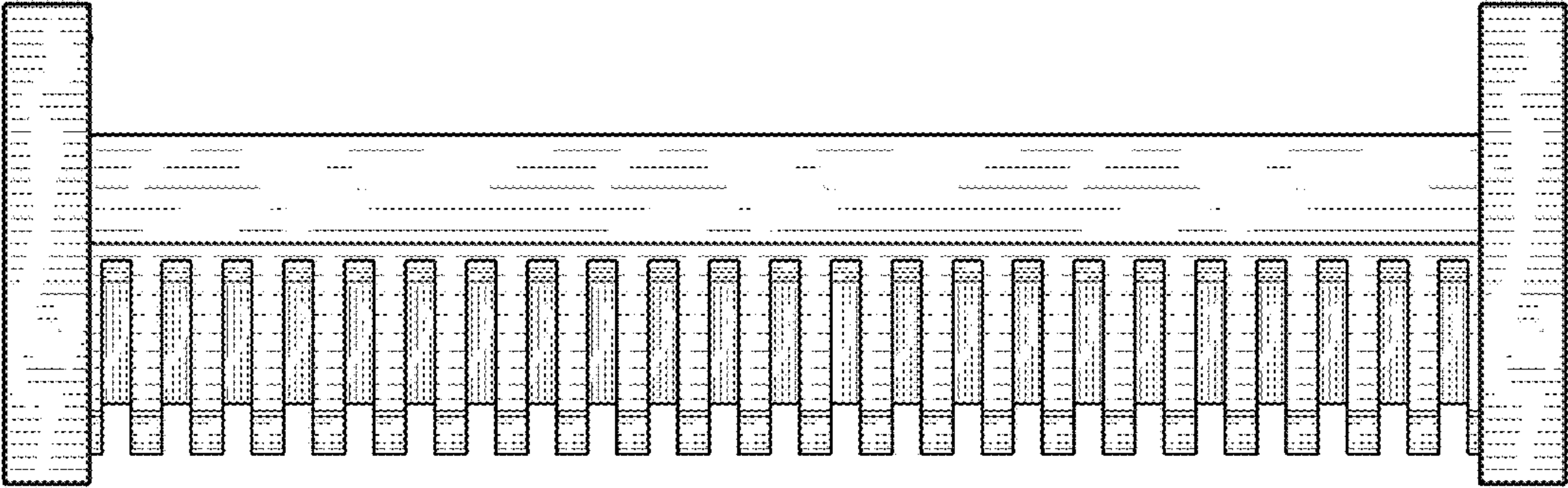


FIG. 3

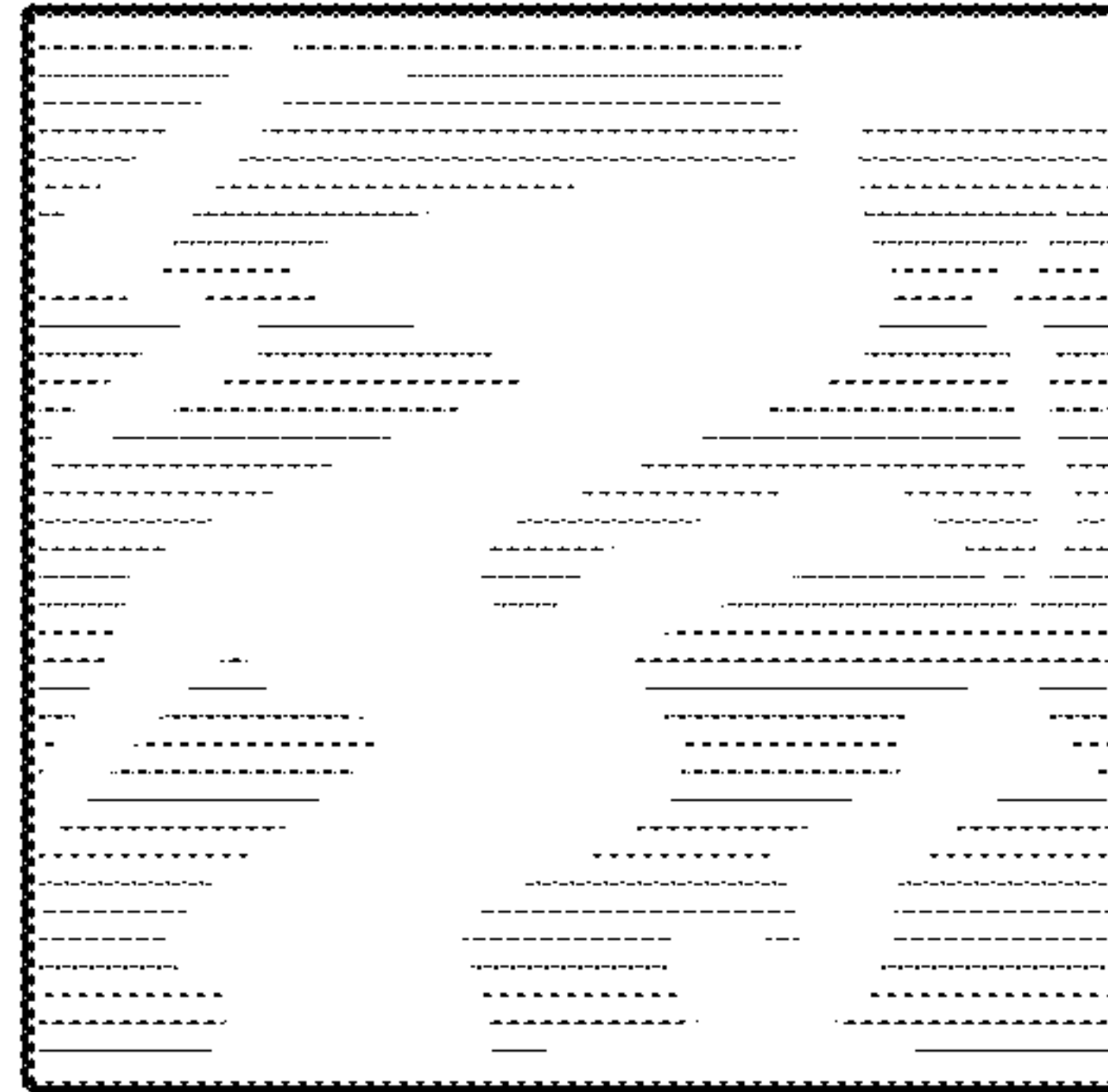


FIG. 4

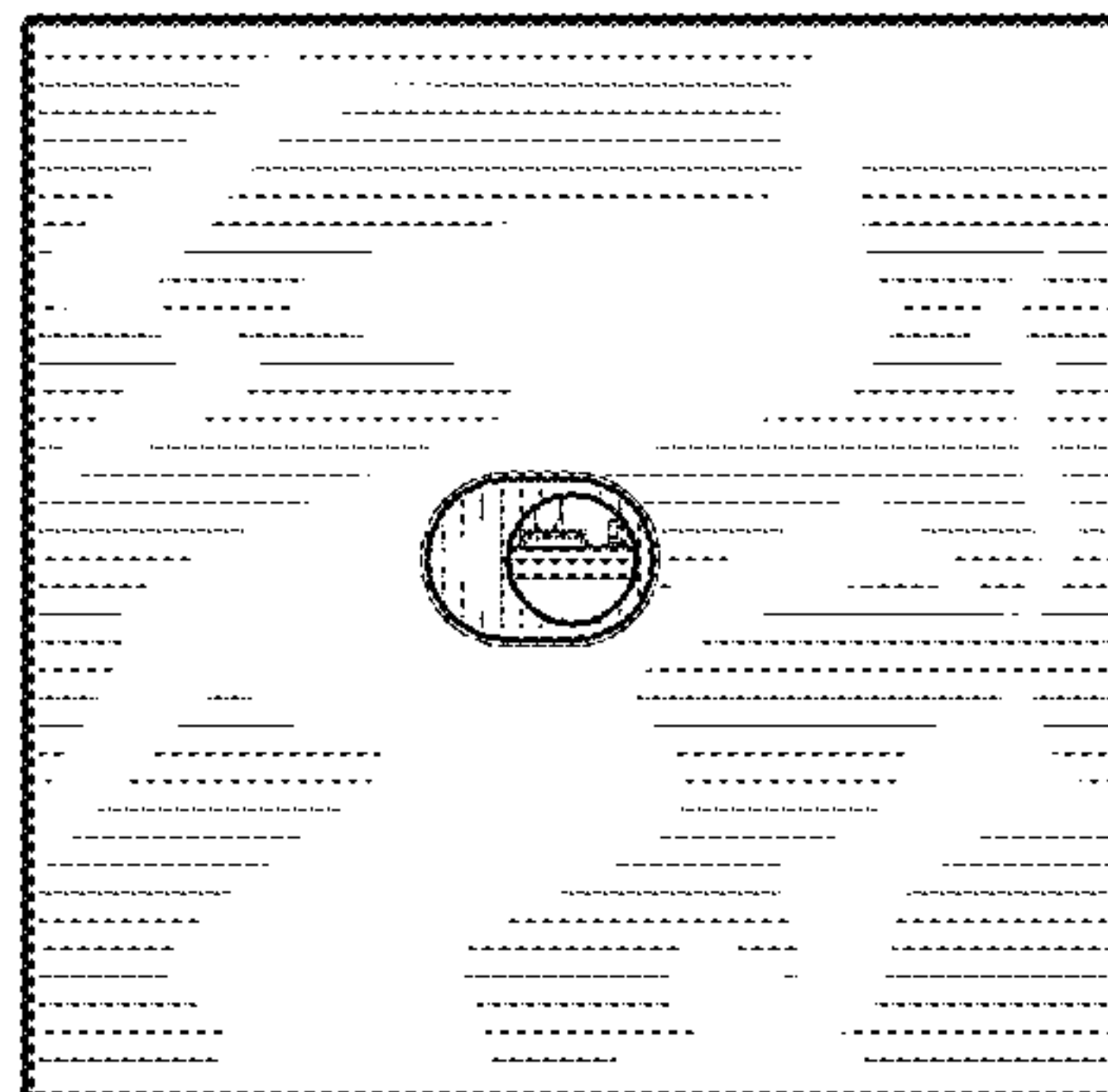


FIG. 5

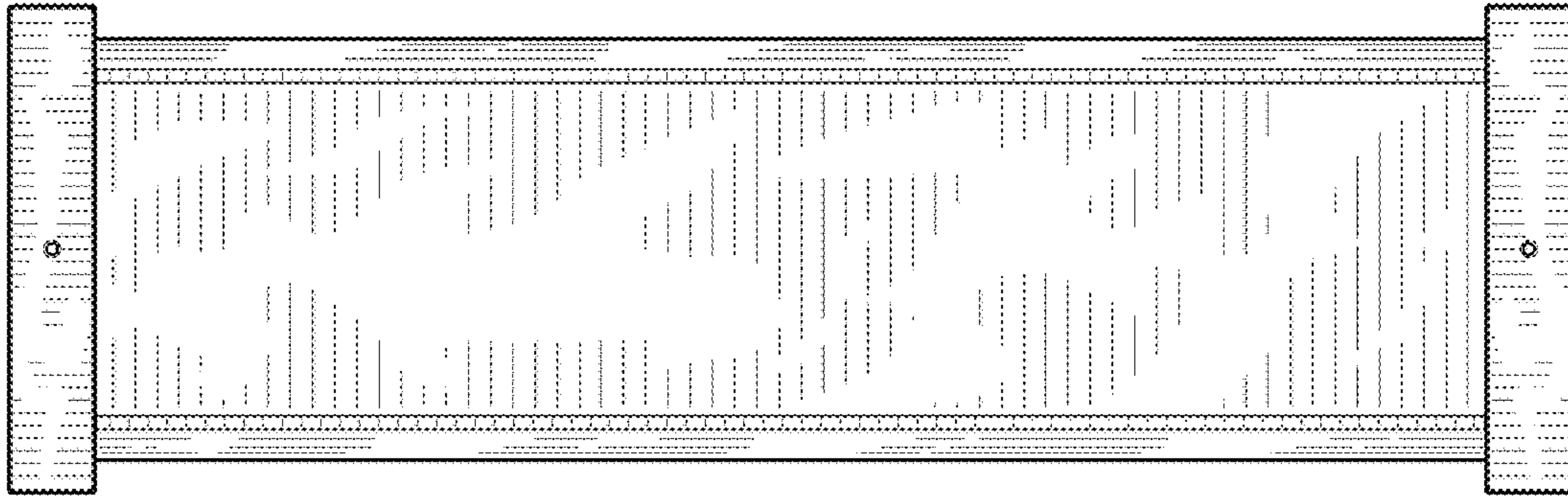


FIG. 6

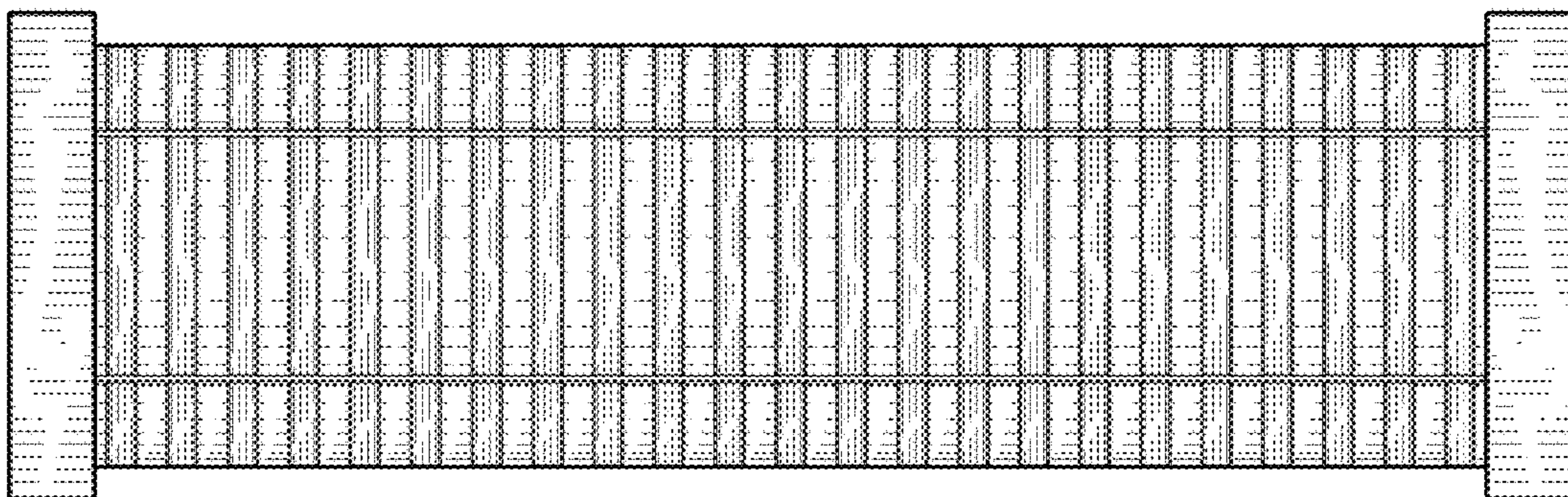


FIG. 7