



US00D785220S

(12) **United States Design Patent**
Swai et al.

(10) **Patent No.:** **US D785,220 S**

(45) **Date of Patent:** **** Apr. 25, 2017**

(54) **HIGH POWERED FLOOD LUMINAIRE**

(71) Applicant: **PHILIPS LIGHTING HOLDING B.V.**, Eindhoven (NL)

(72) Inventors: **Peter Swai**, Burlington, MA (US);
Timothy Jordan, Burlington, MA (US)

(73) Assignee: **PHILIPS LIGHTING HOLDING B.V.**, Eindhoven (NL)

(**) Term: **15 Years**

(21) Appl. No.: **29/539,618**

(22) Filed: **Sep. 16, 2015**

(51) **LOC (10) Cl.** **26-03**

(52) **U.S. Cl.**
USPC **D26/63**

(58) **Field of Classification Search**
USPC D26/60-66, 72, 85, 87, 92, 86, 102, 104
CPC F21Y 2103/002; F21Y 2101/02;
F21S 10/00; F21V 21/30; F21V 14/02;
F21V 21/00

See application file for complete search history.

(56) **References Cited**

U.S. PATENT DOCUMENTS

D195,876 S * 8/1963 Atkin D26/63
D265,428 S * 7/1982 Eickmeyer D26/63

D316,306 S * 4/1991 Shemitz D26/63
D479,015 S * 8/2003 Tang D26/63
D623,326 S * 9/2010 Chen D26/63
D625,870 S * 10/2010 Feigenbaum D26/63
D695,435 S * 12/2013 Pedersen D26/63

* cited by examiner

Primary Examiner — Brian N Vinson

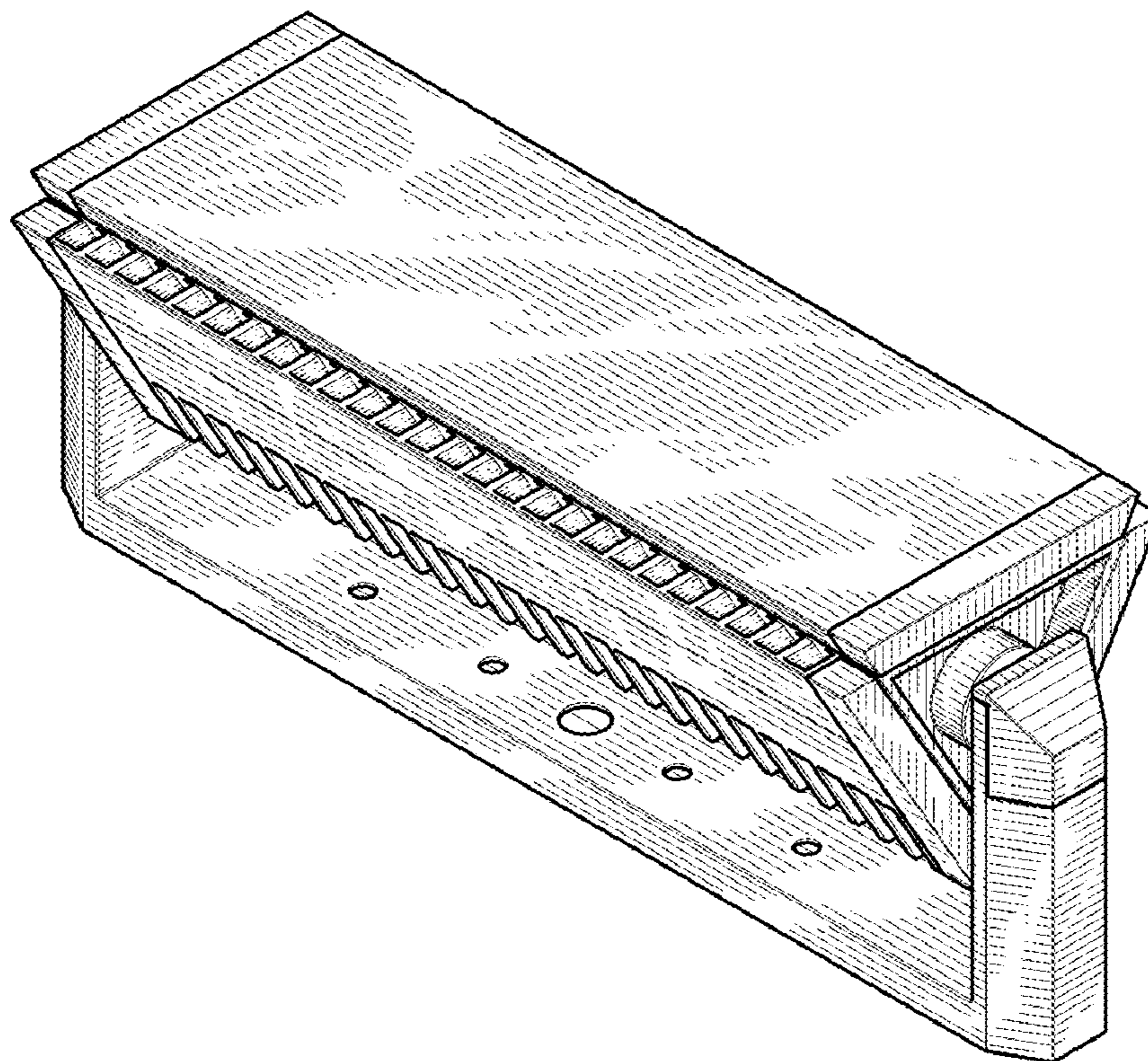
(57) **CLAIM**

The ornamental design for a high powered flood luminaire, as shown and described.

DESCRIPTION

FIG. 1 is a perspective view showing my design;
FIG. 2 is a front elevational view thereof;
FIG. 3 is a rear elevational view thereof;
FIG. 4 is a right side elevational view thereof;
FIG. 5 is a left side elevational view thereof;
FIG. 6 is a top plan view thereof; and,
FIG. 7 is a bottom plan view thereof.
The dash-dot-dash broken lines shown represent the bounds of the claim and forms no part thereof and the dashed broken lines shown therein illustrate portions of the luminaire that form no part of the claimed design.

1 Claim, 4 Drawing Sheets



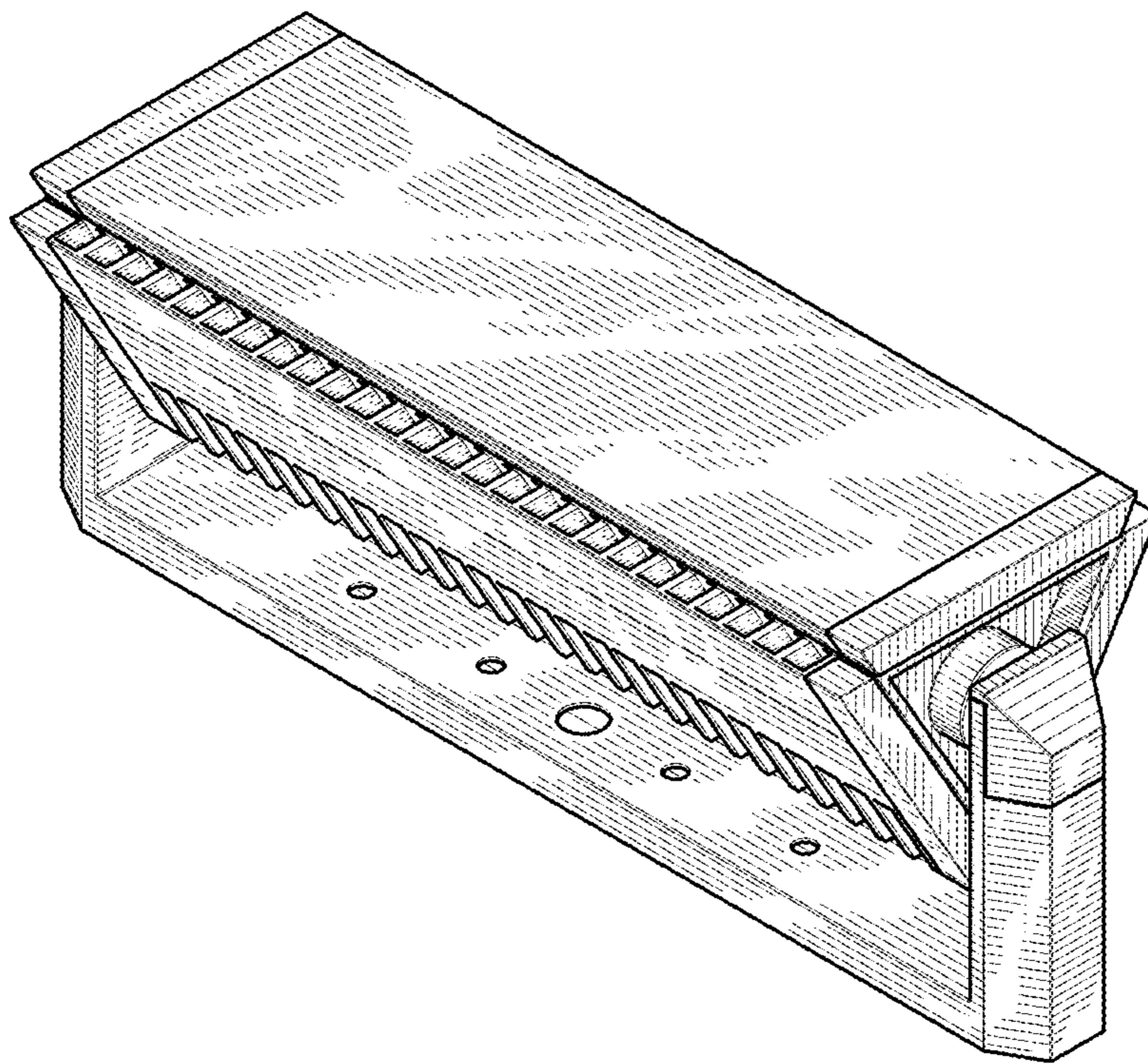


FIG.1

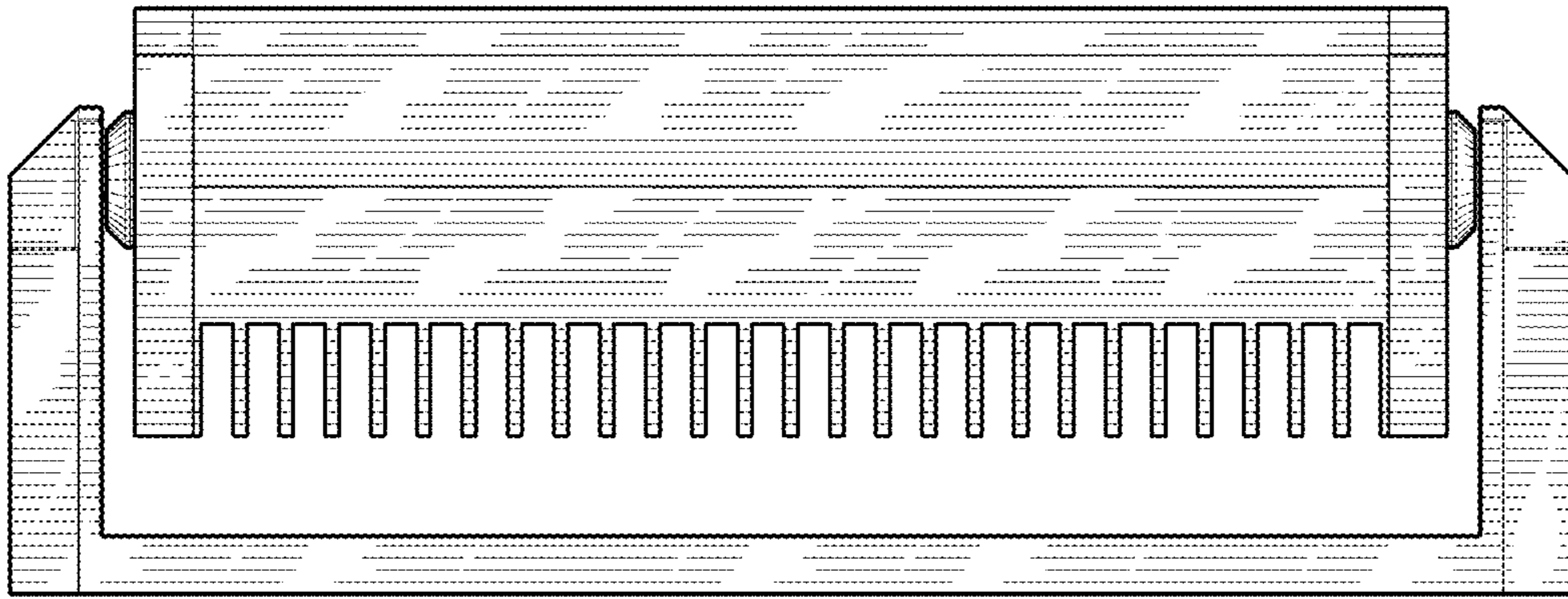


FIG. 2

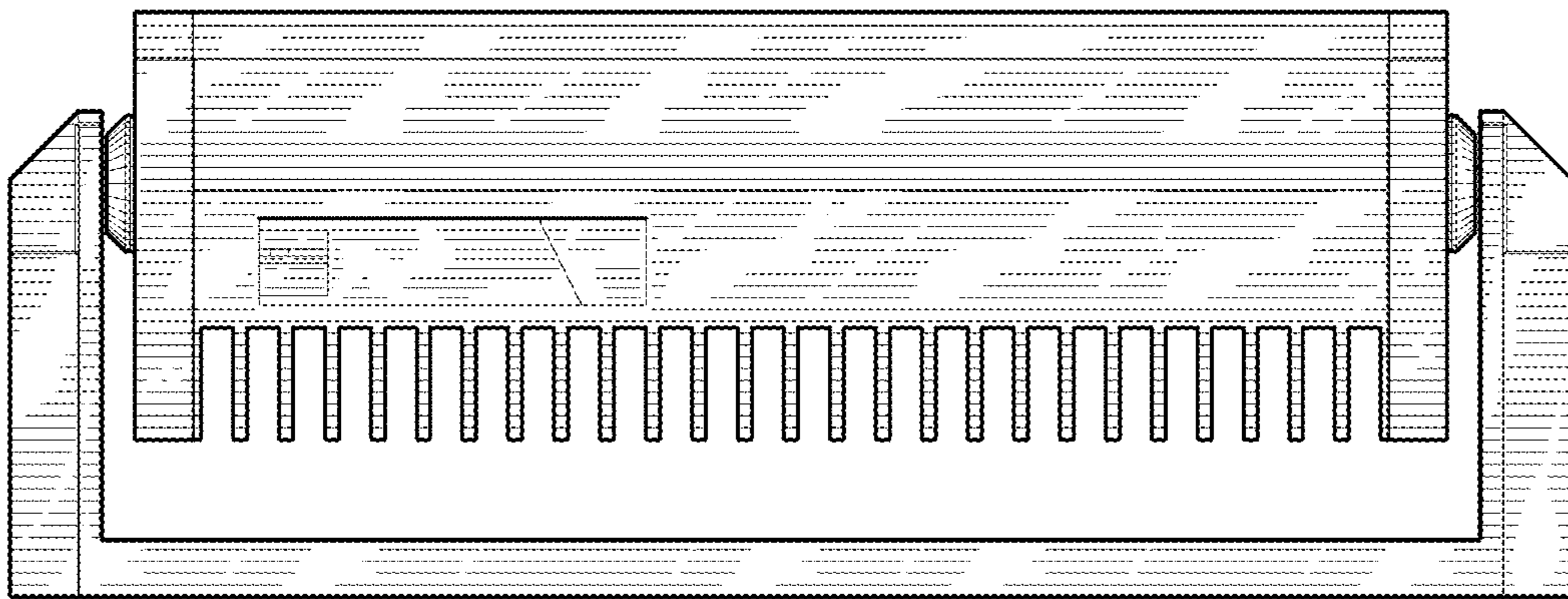


FIG. 3

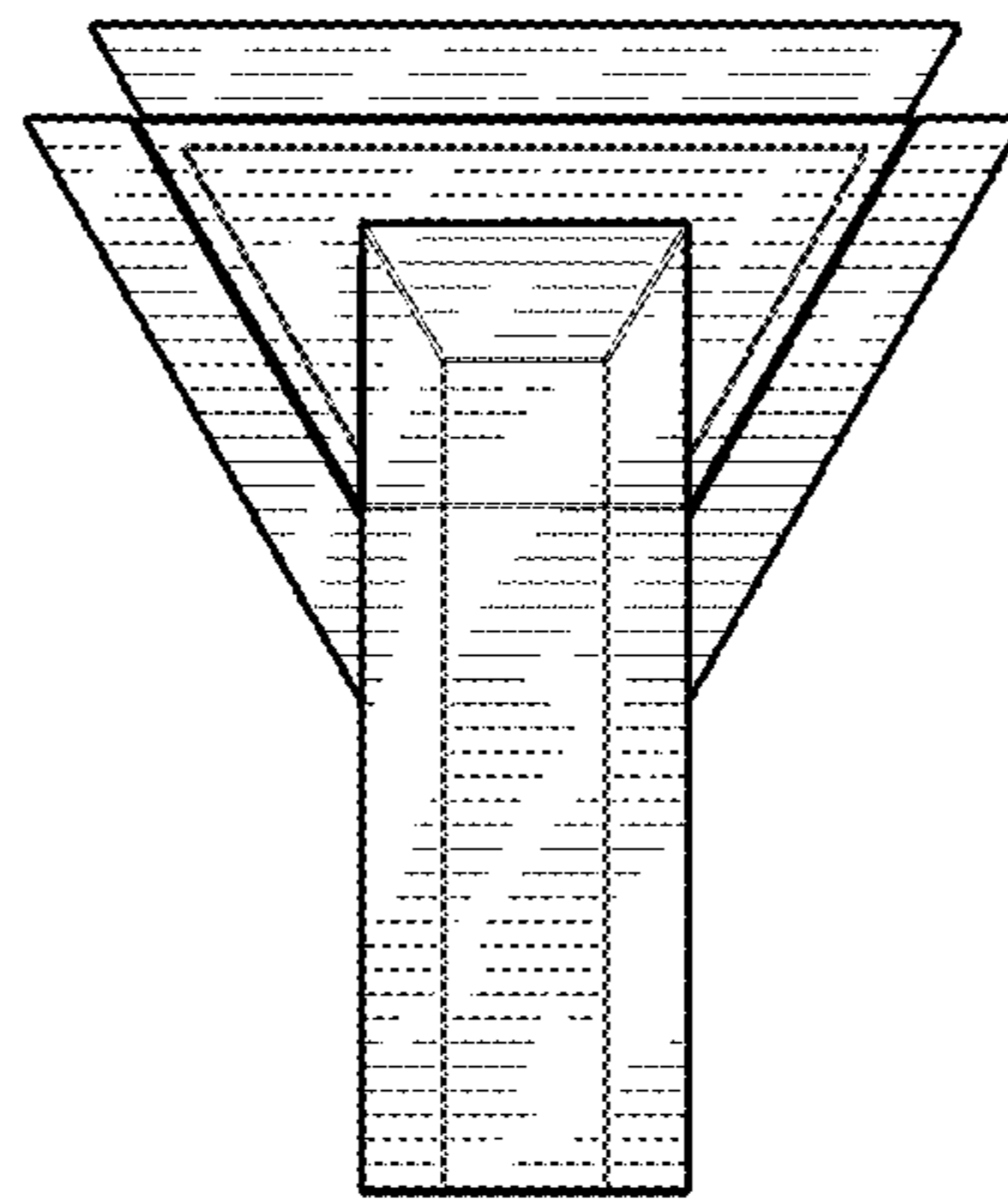


FIG. 4

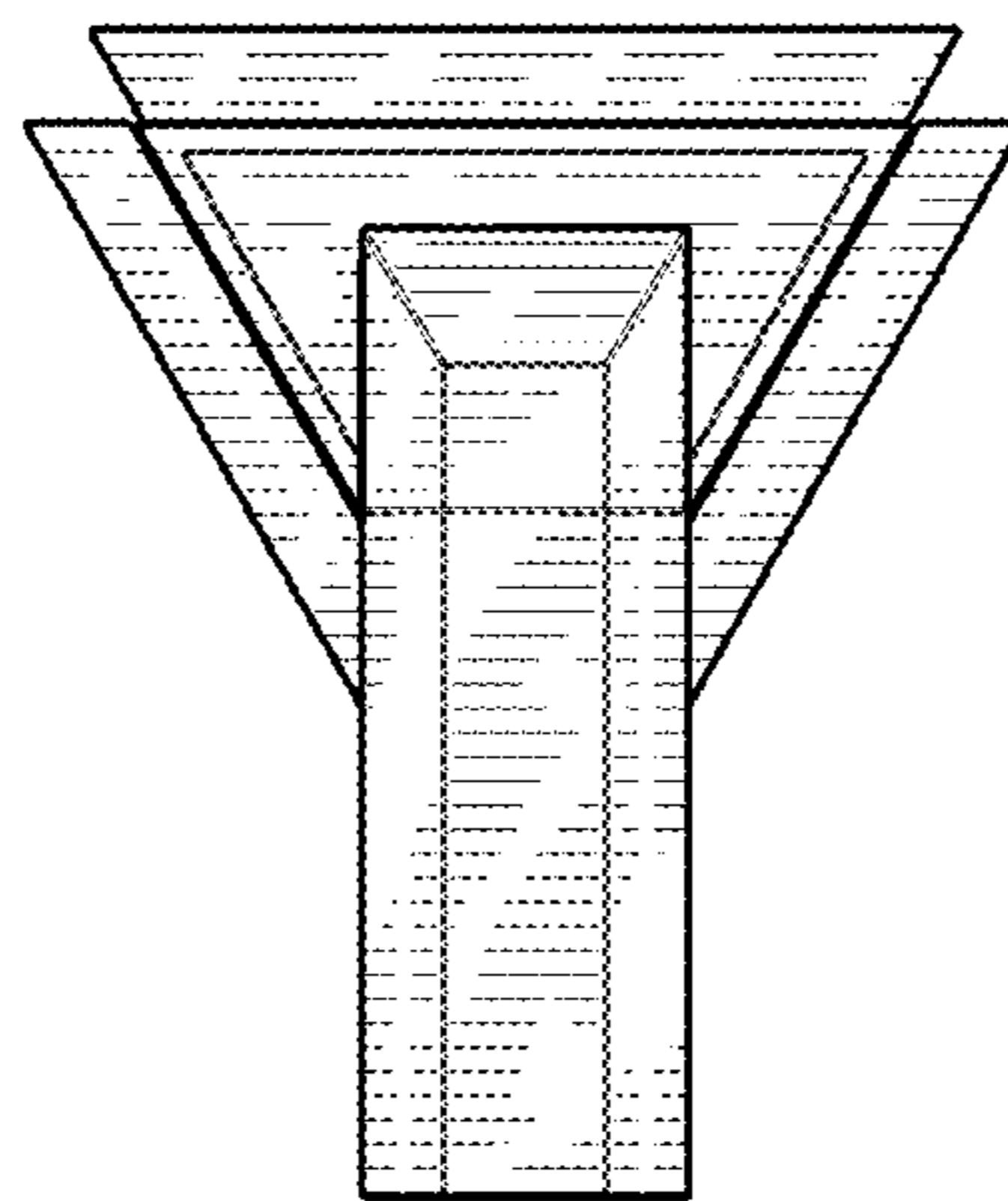


FIG. 5

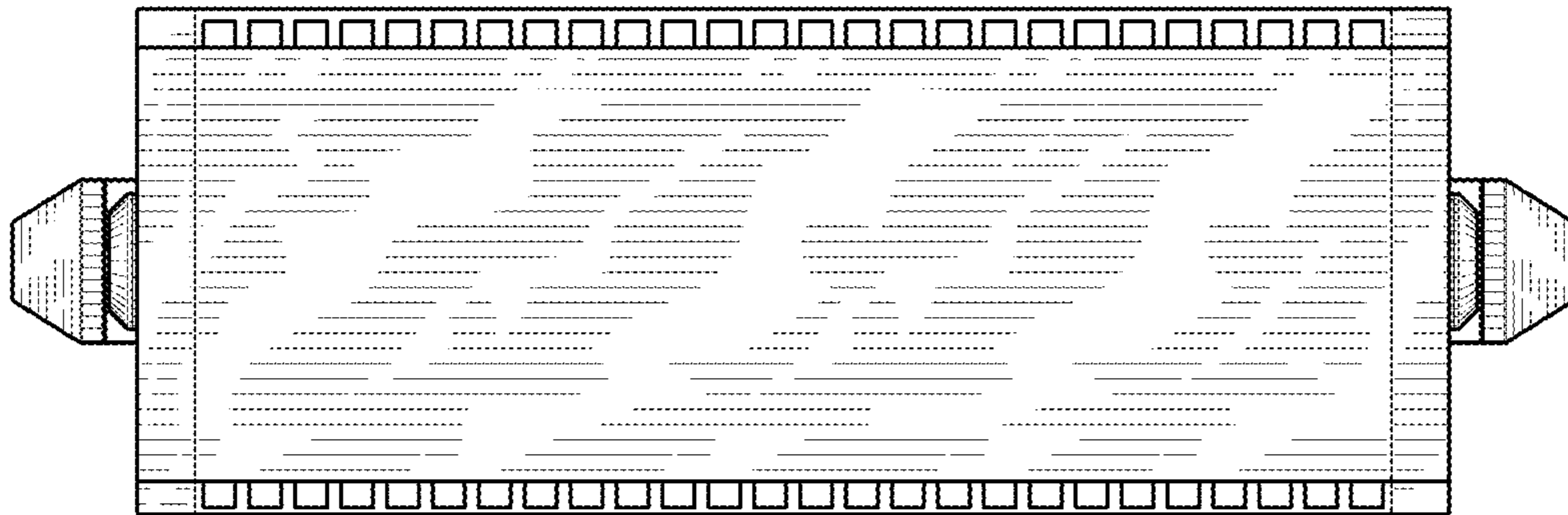


FIG. 6

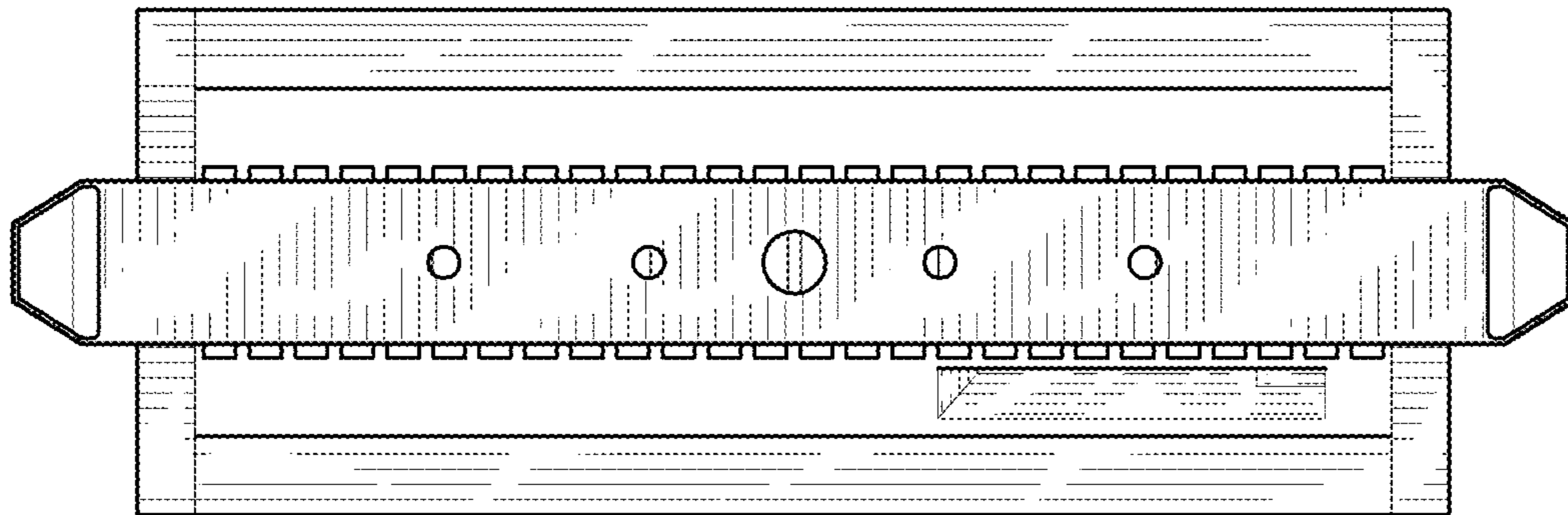


FIG. 7